



US00D379660S

# United States Patent [19]

[11] Patent Number: **Des. 379,660**

Aube

[45] Date of Patent: **\*\*Jun. 3, 1997**

[54] **BABY BOTTLE HOLDER**

[76] Inventor: **Glennie D. W. Aube**, 150 Pioneer Dr., Athens, Ga. 30605-4016

[\*\*] Term: **14 Years**

[21] Appl. No.: **44,491**

[22] Filed: **Sep. 25, 1995**

[51] LOC (6) Cl. .... **24-99**

[52] U.S. Cl. .... **D24/199; D2/864; 248/105**

[58] Field of Search ..... **D9/434, 455, 499; D2/861, 863, 864; D24/199; 2/46, 48, 49.1, 49.3; 248/105**

[56] **References Cited**

**U.S. PATENT DOCUMENTS**

D. 198,488	6/1964	Reis	.....	D24/199
D. 211,435	6/1968	Kausen et al.	.....	D24/199
298,985	5/1884	Kimball	.....	2/49.2
D. 345,852	4/1994	Nelson	.....	D2/861
D. 361,131	8/1995	Leopold	.....	D24/199
D. 363,549	10/1995	Ye	.....	D24/199
1,886,619	11/1932	Arnone	.....	248/105
4,660,225	4/1987	Kahn	.....	D2/861 X
5,504,941	4/1996	Sell	.....	2/49.1

*Primary Examiner*—James M. Gandy  
*Assistant Examiner*—Cathron B. Matta  
*Attorney, Agent, or Firm*—Harpman & Harpman

[57] **CLAIM**

The ornamental design for a baby bottle holder, as shown and described.

**DESCRIPTION**

FIG. 1 is a front, top and side perspective exploded view of the baby bottle holder embodying the design of the present invention;

FIG. 2 is a front elevational view thereof, shown in the non-exploded position;

FIG. 3 is a rear elevational view thereof, shown in the non-exploded position;

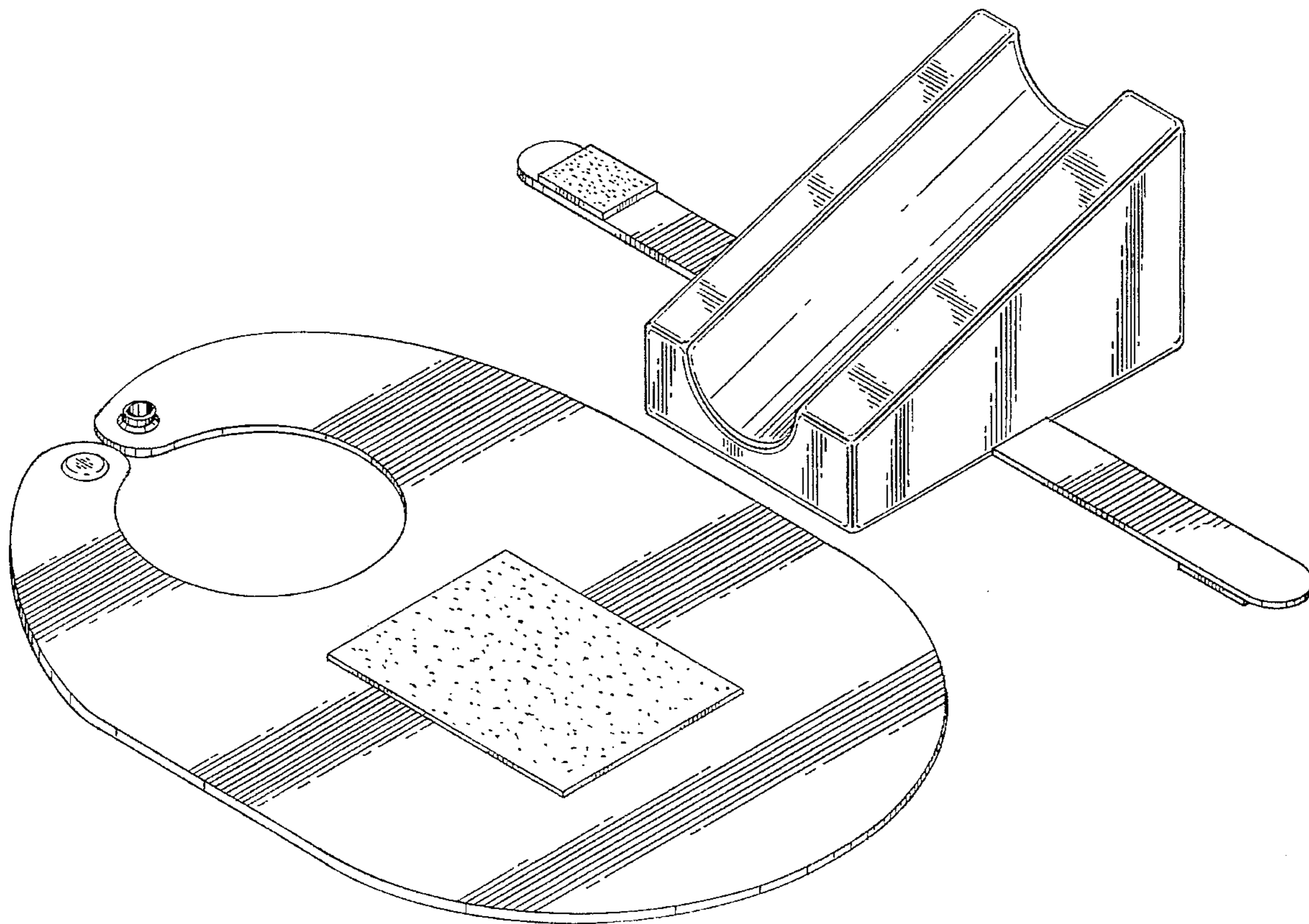
FIG. 4 is a right side elevational view thereof, shown in the non-exploded position;

FIG. 5 is a left side elevational view thereof, shown in the non-exploded position;

FIG. 6 is a top plan view thereof, shown in the non-exploded position; and,

FIG. 7 is a bottom plan view thereof, shown in the non-exploded position.

**1 Claim, 5 Drawing Sheets**



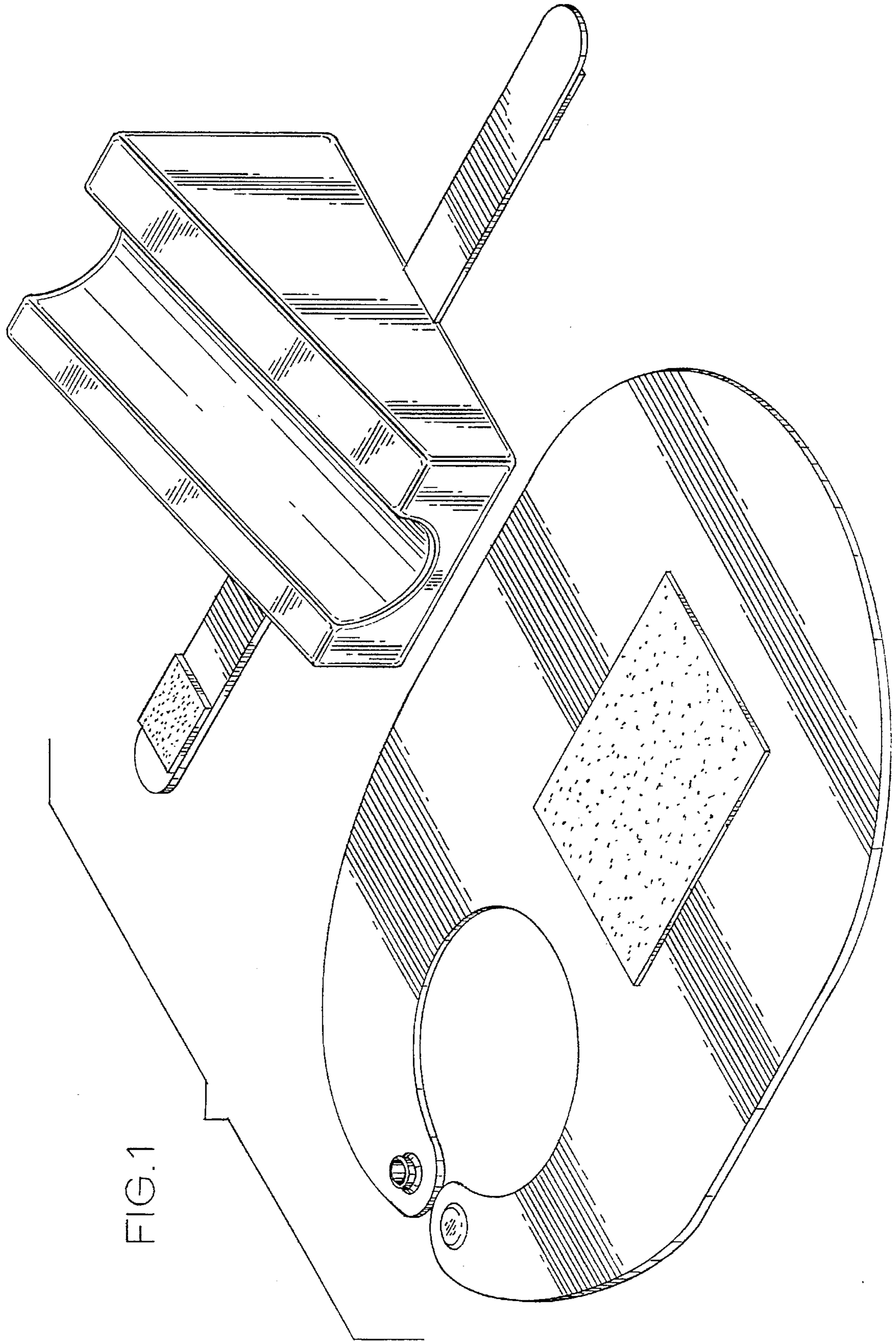


FIG. 1



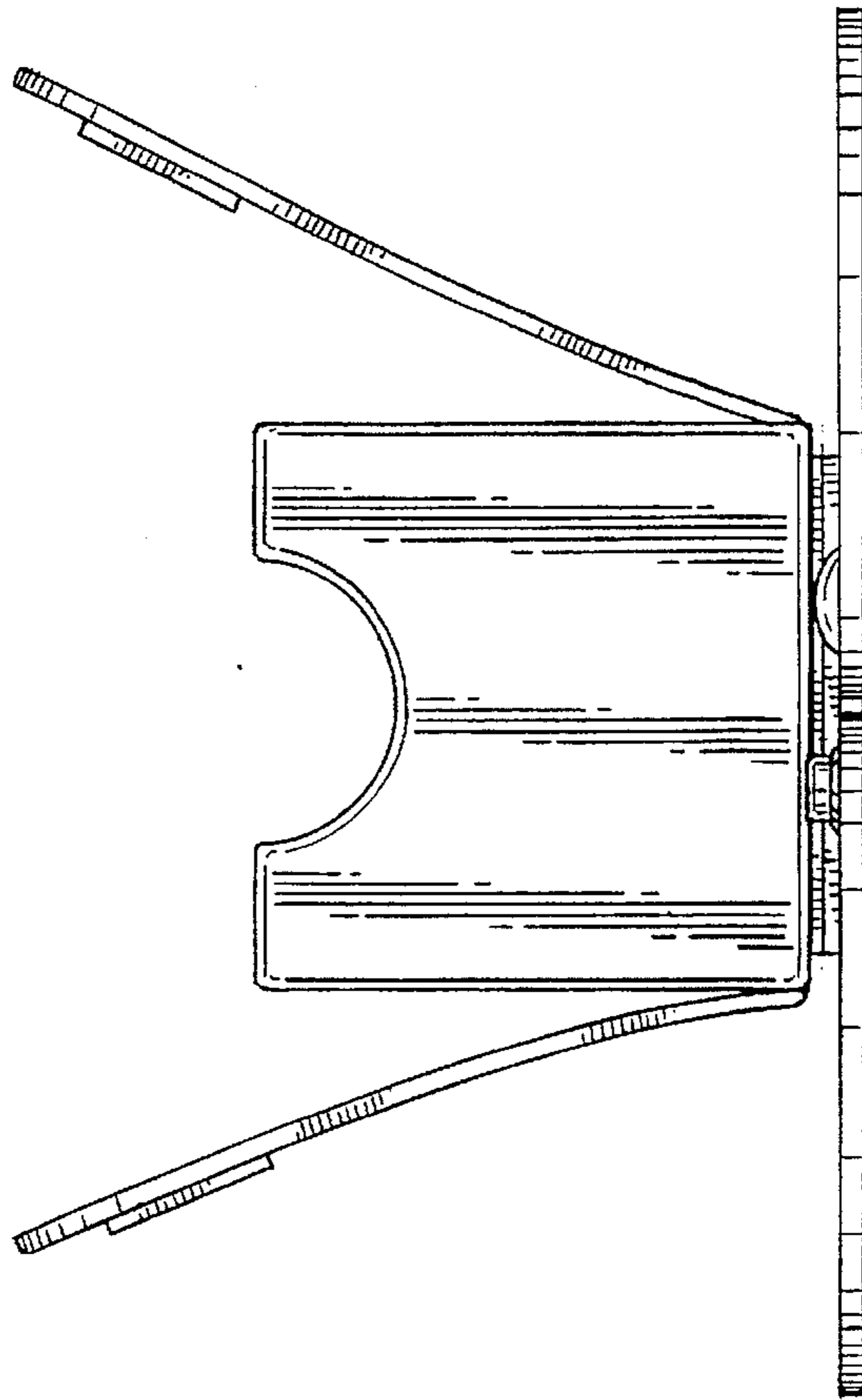


FIG. 3

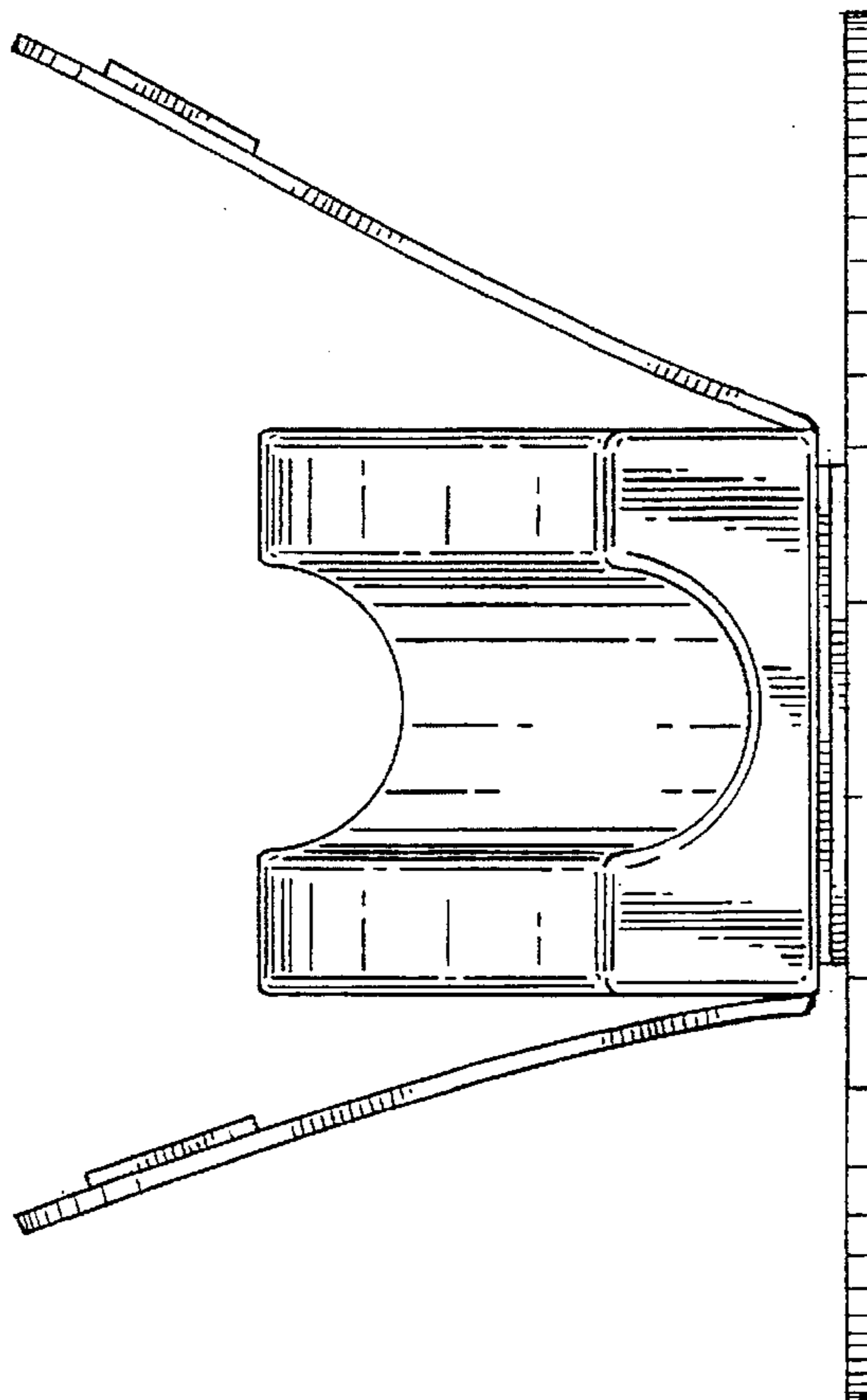


FIG. 2

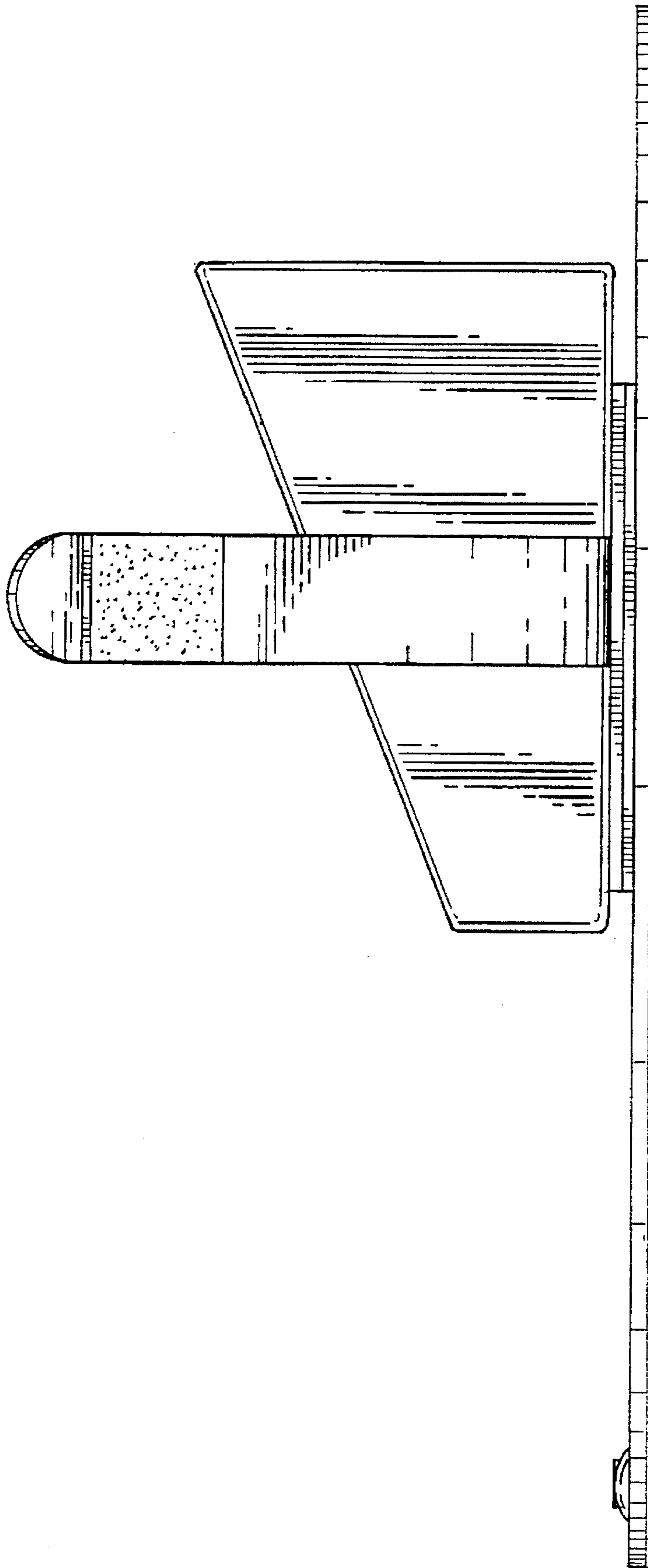


FIG. 4

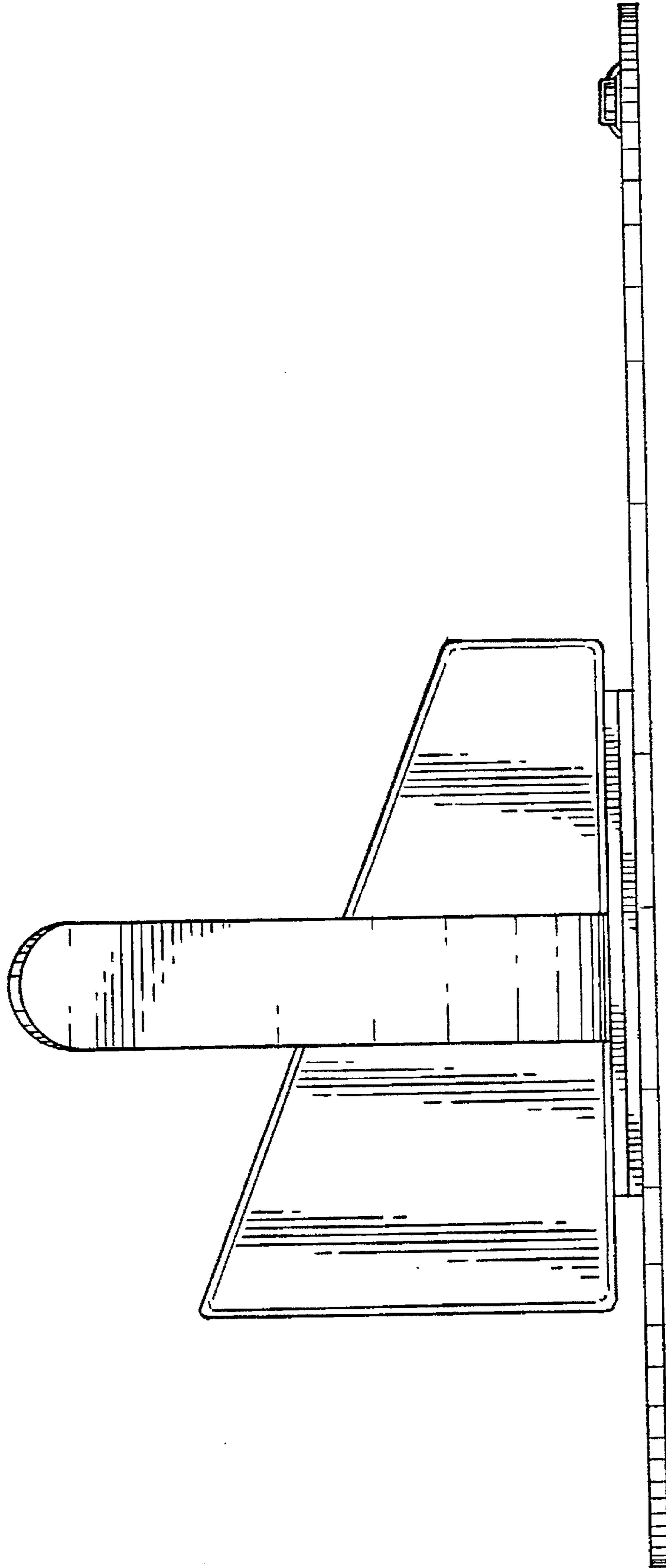


FIG. 5

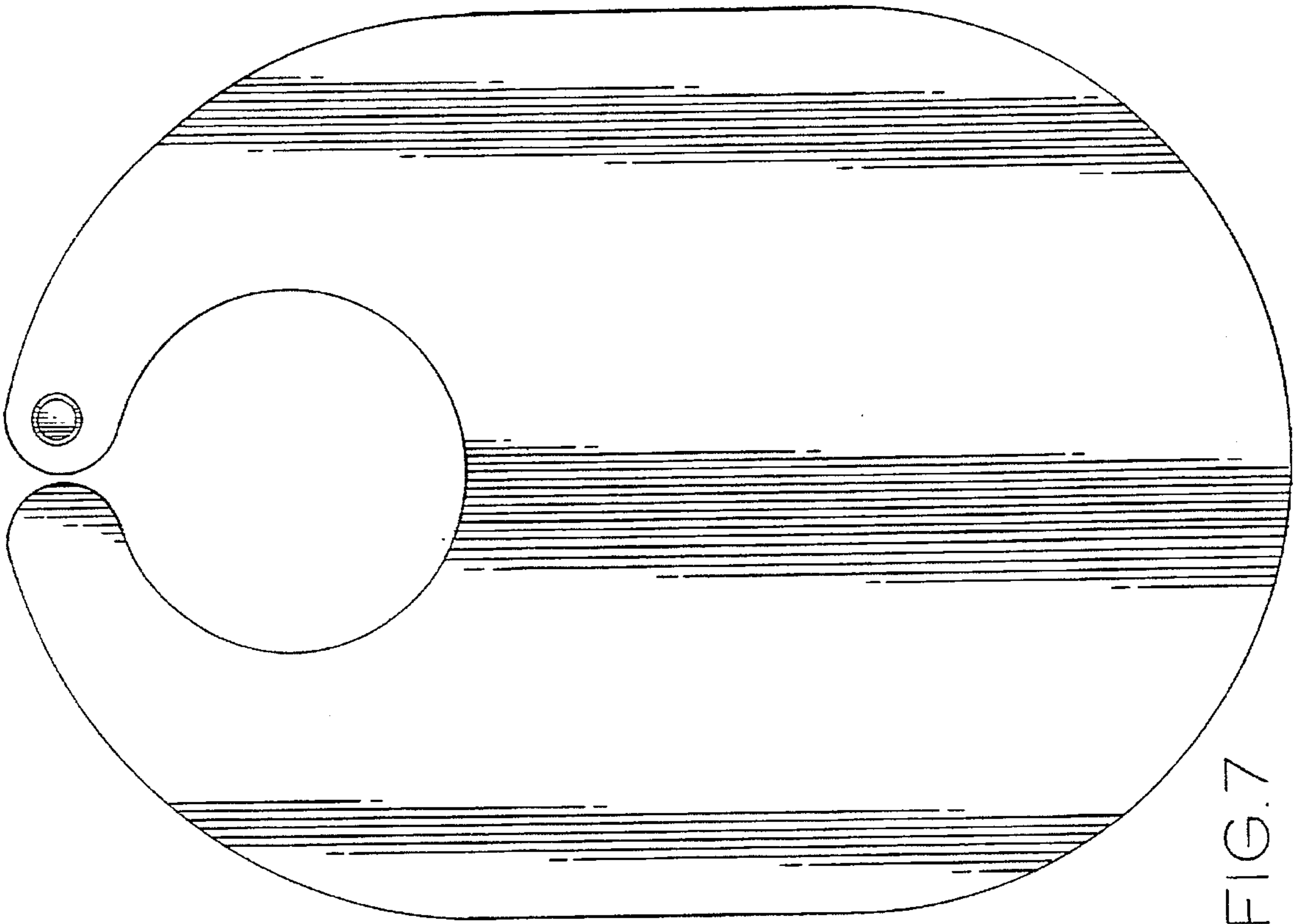


FIG. 7

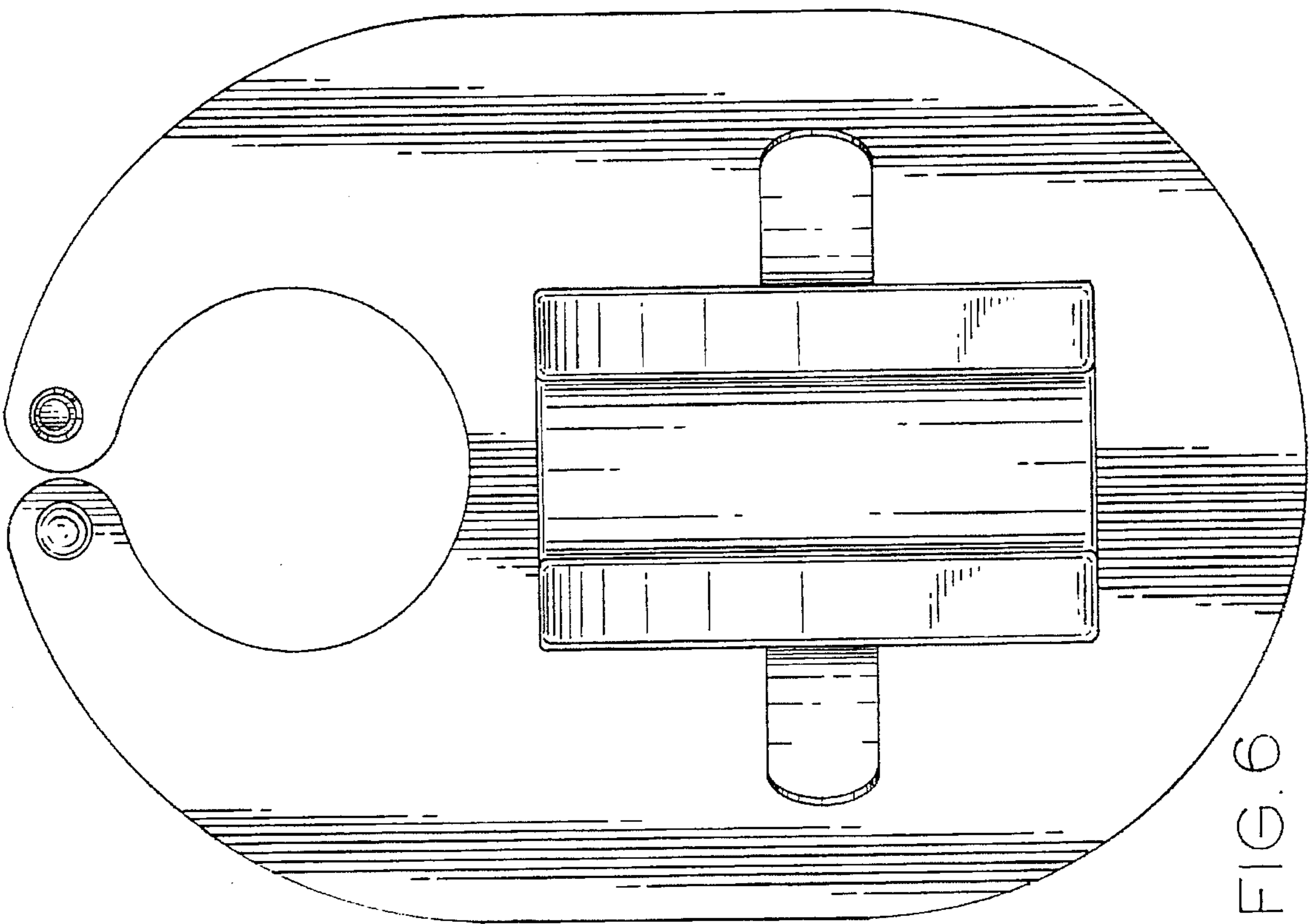


FIG. 6