



US00D379651S

United States Patent [19]

[11] Patent Number: **Des. 379,651**

Rondeau

[45] Date of Patent: ****Jun. 3, 1997**

[54] **COMBINED DECORATIVE DISPLAY AND AROMATIC INFUSION DEVICE FOR SATCHETS OF POTPOURRI OR BATH HERBS**

D. 289,678	5/1987	Kwiatkowski	D23/367
2,955,889	10/1960	Brokamp	239/56
4,905,898	3/1990	Wade	239/57
4,928,881	5/1990	Barlics et al.	239/44
5,064,624	11/1991	King	239/34
5,201,025	4/1993	Landesberg	392/392

[76] Inventor: **Shelley A. Rondeau**, 609 Chapman St., Nanaimo, B.C., Canada, V9X 1G3

Primary Examiner—Lisa Lichtenstein

[**] Term: **14 Years**

[57] CLAIM

[21] Appl. No.: **51,199**

The ornamental design for a combined decorative display and aromatic infusion device for satchets of potpourri or bath herbs, as shown and described.

[22] Filed: **Mar. 5, 1996**

DESCRIPTION

[51] LOC (6) Cl. **23-04**

[52] U.S. Cl. **D23/367; D23/368**

[58] **Field of Search** D23/366-369; 261/DIG. 65; 422/125, 305, 306; 239/47, 44, 60, 57, 58, 56, 55, 34, 54, 59, 211; D9/451; D20/10, 19, 29; D11/157; 220/367.1, 373; 215/307, 309, 310

FIG. 1 is a front elevational view of the combined decorative display and aromatic infusion device for satchets of potpourri or bath herbs showing my new design; FIG. 2 is a rear elevational view thereof; FIG. 3 is a right view thereof; FIG. 4 is a left view thereof; FIG. 5 is a top plan view thereof; FIG. 6 is a bottom plan view thereof; and, FIG. 7 is an exploded view thereof.

[56] References Cited

U.S. PATENT DOCUMENTS

D. 103,209	2/1937	Beiser	D9/336
D. 157,262	2/1950	Jung	D9/451
D. 194,683	2/1963	Clegg	D9/336
D. 237,619	11/1975	Levey	D9/337

The cross-hatching in FIG. 7 represents conventional fabric and is understood to extend throughout the areas represented.

1 Claim, 4 Drawing Sheets

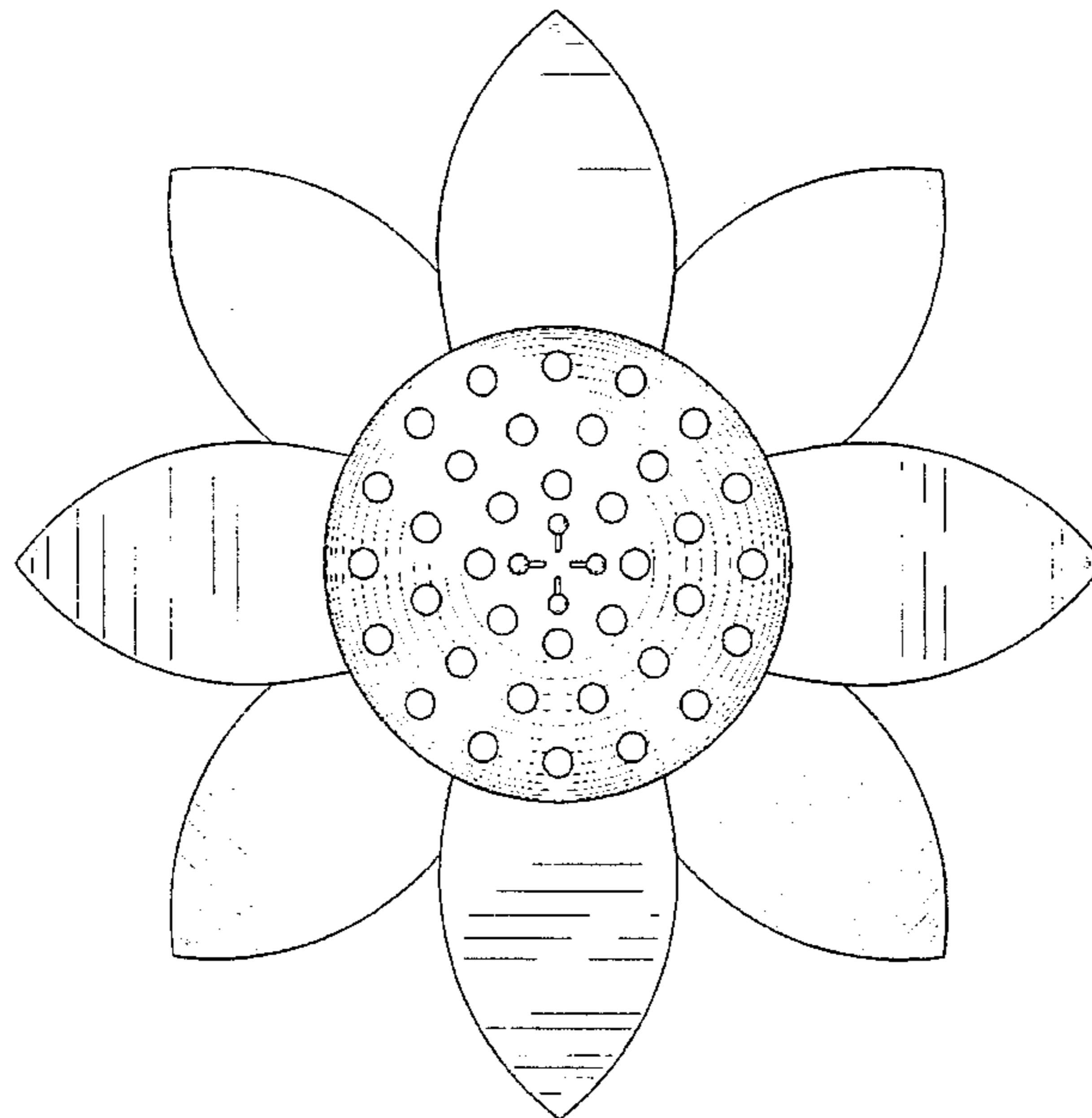
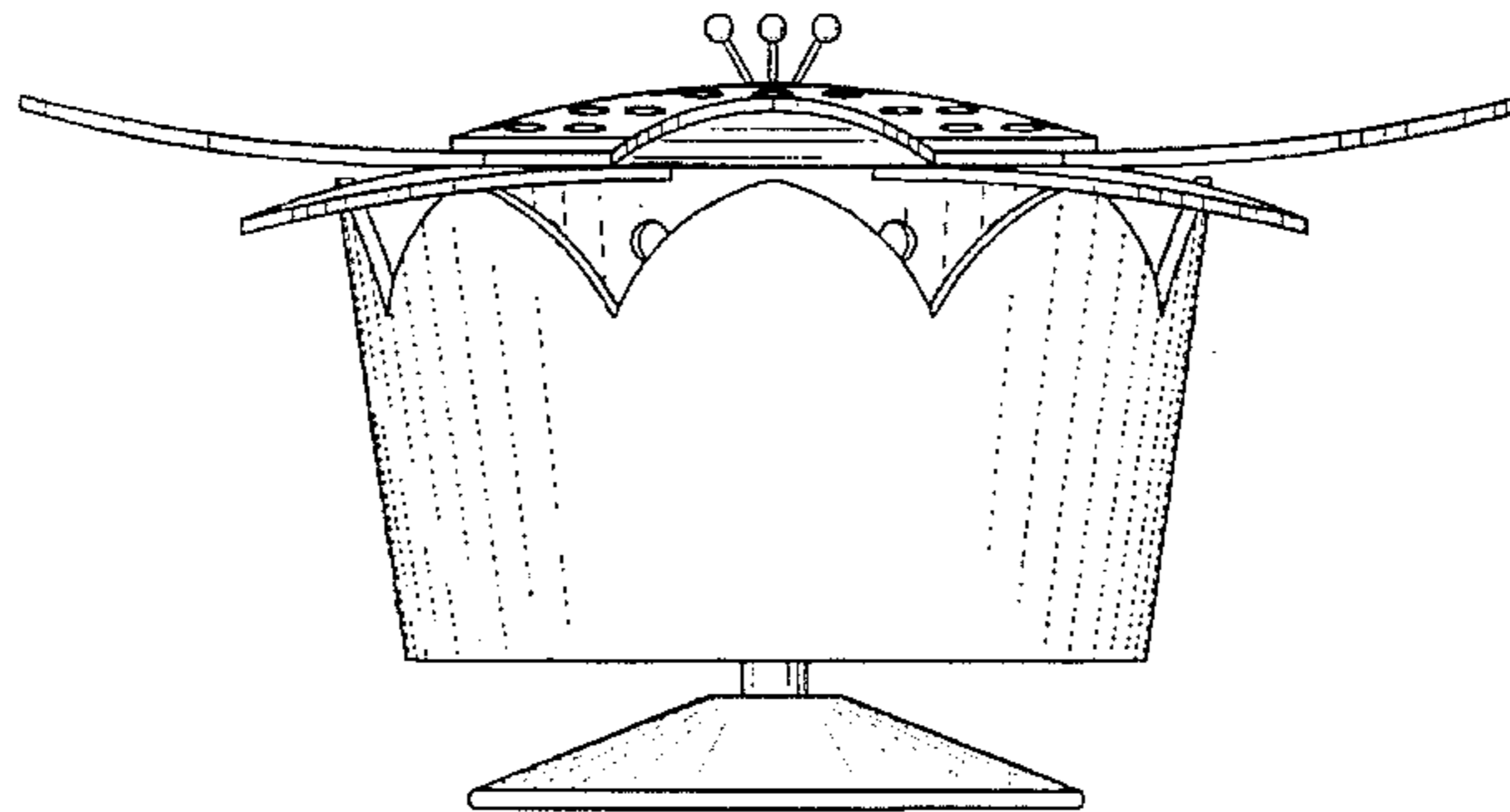


FIG. 1

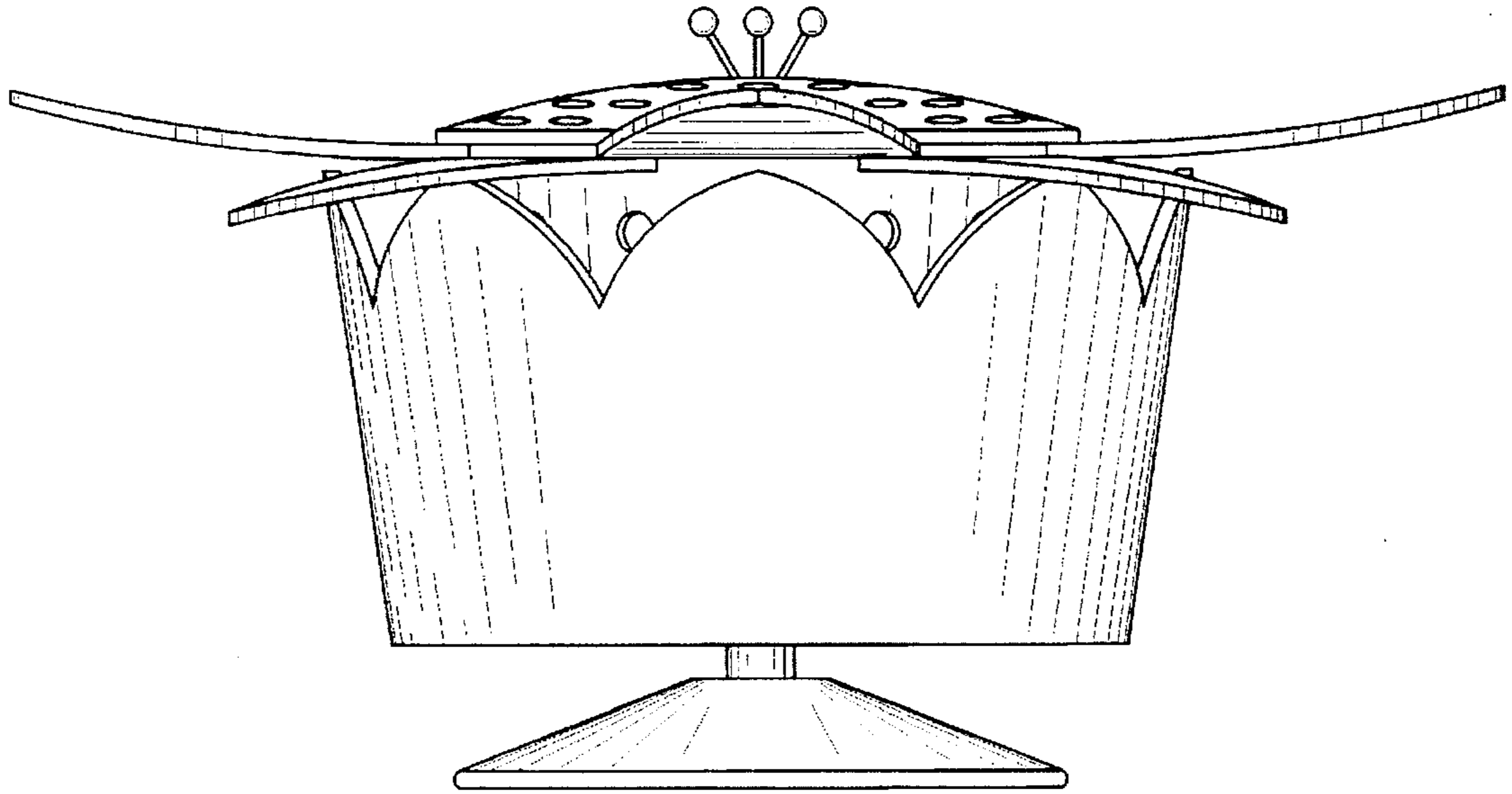


FIG. 2

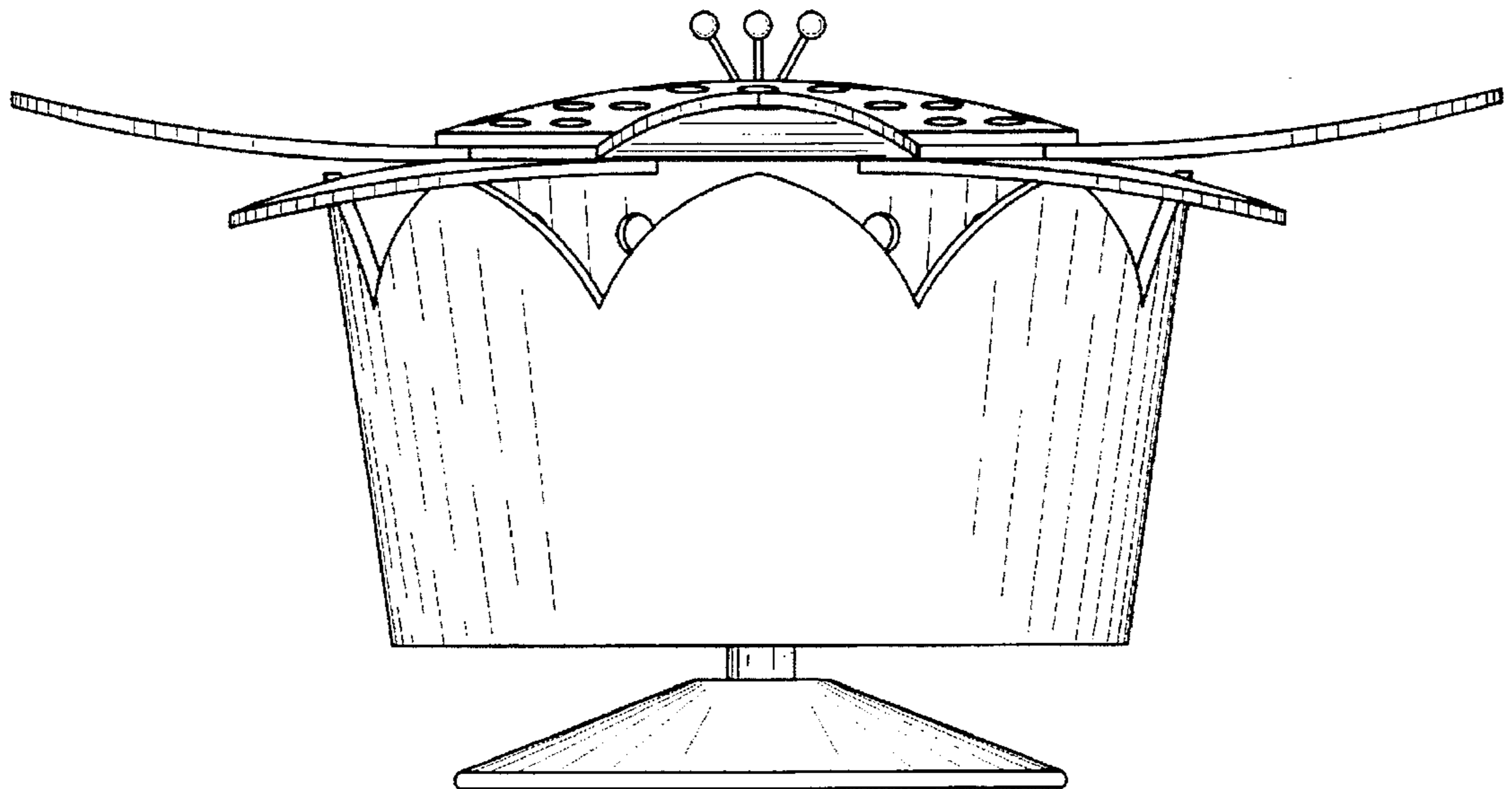


FIG. 3

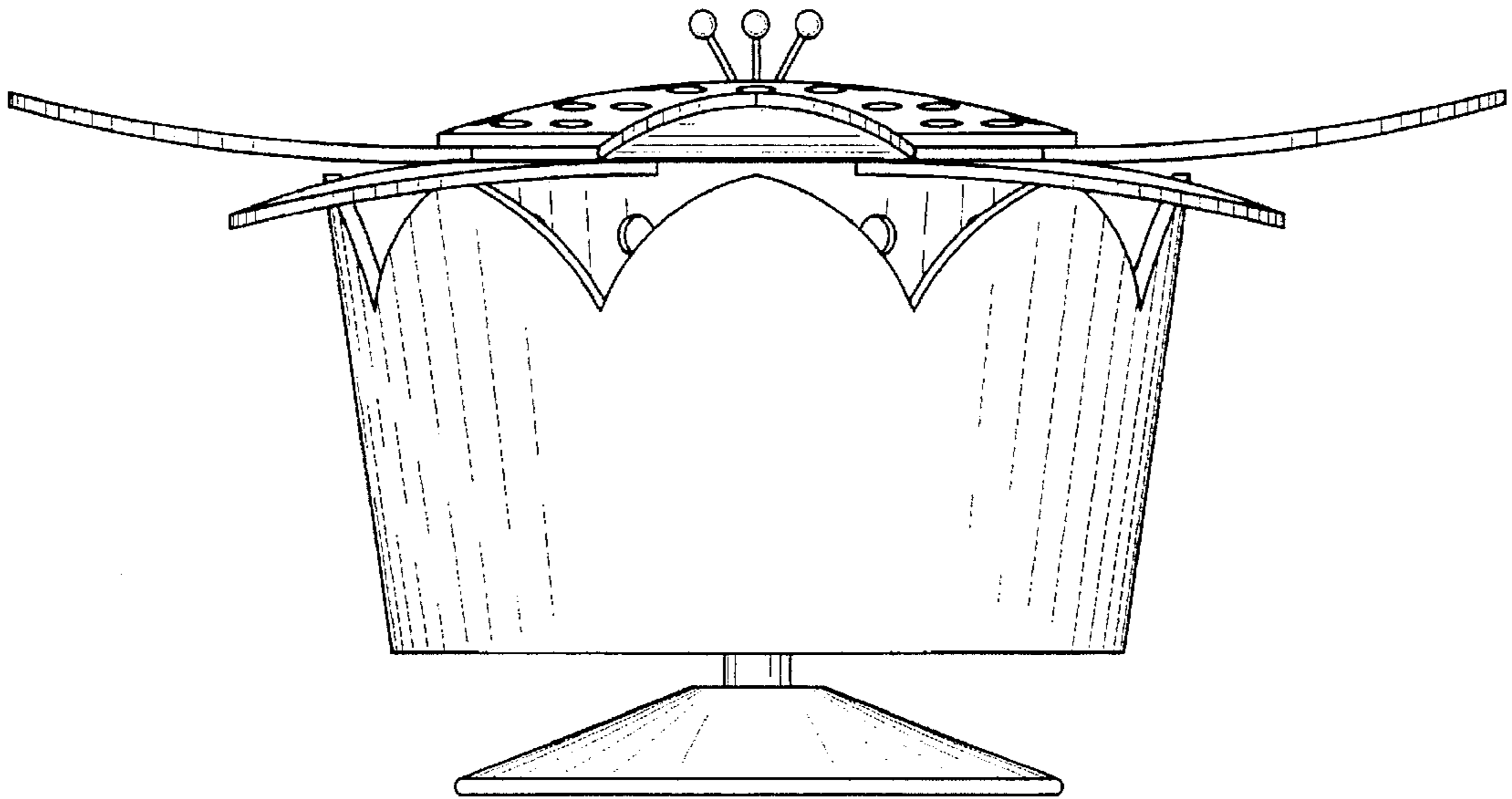


FIG. 4

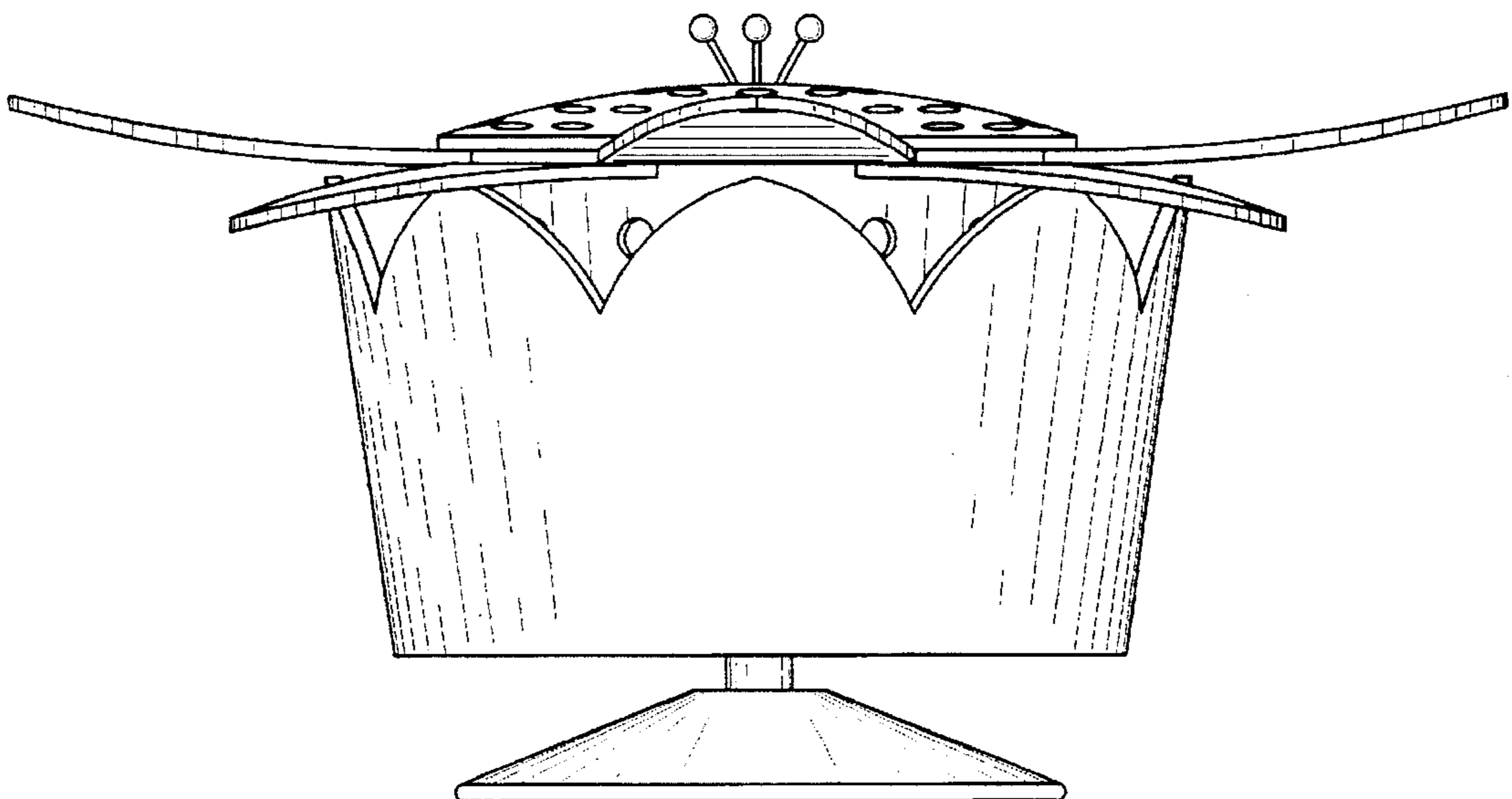


FIG. 5

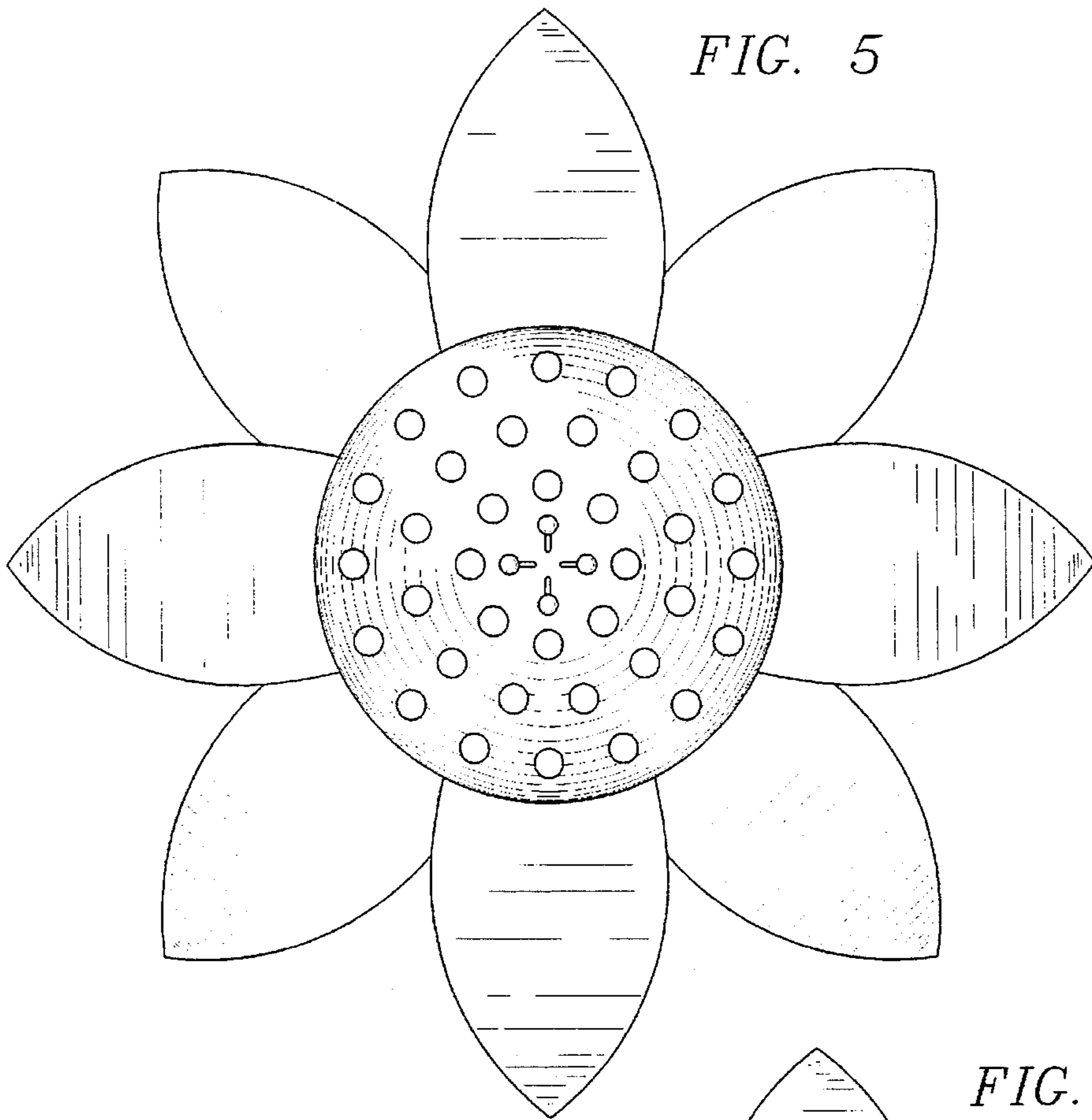


FIG. 6

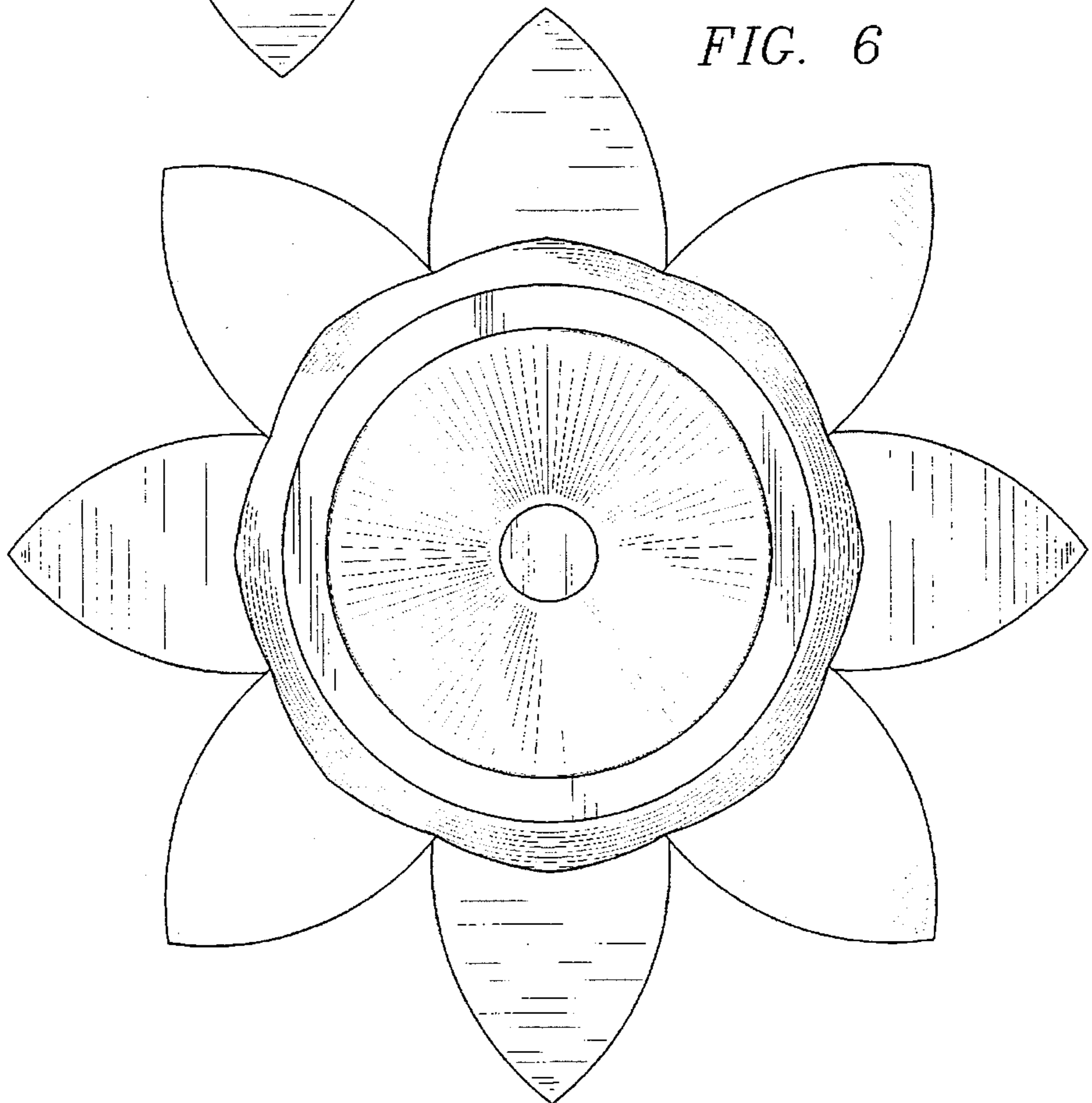


FIG. 7

