



US00D379638S

United States Patent [19]

[11] Patent Number: **Des. 379,638**

Cruden et al.

[45] Date of Patent: ****Jun. 3, 1997**

[54] EXTENDED TAPE CARTRIDGE

FOREIGN PATENT DOCUMENTS

[75] Inventors: **Kenyon R. Cruden**, Huntersville;
Gregory M. Saul, Charlotte, both of
N.C.

161185	8/1985	Japan	400/208
151367	7/1987	Japan	400/208
161567	7/1987	Japan	400/208
57260	3/1988	Japan	400/208
5270118	10/1993	Japan	400/208

[73] Assignee: **Verbatim Corporation**, Charlotte, N.C.

[**] Term: **14 Years**

Primary Examiner—Cathy Anne MacCormac
Attorney, Agent, or Firm—Albert C. Smith

[21] Appl. No.: **46,297**

[57] CLAIM

[22] Filed: **Nov. 10, 1995**

The ornamental design for extended tape cartridge, as shown and described.

[51] LOC (6) Cl. **18-02**

[52] U.S. Cl. **D18/56**

[58] Field of Search D18/56, 12, 43;
D14/114, 107; 400/208; 347/86-88, 99

DESCRIPTION

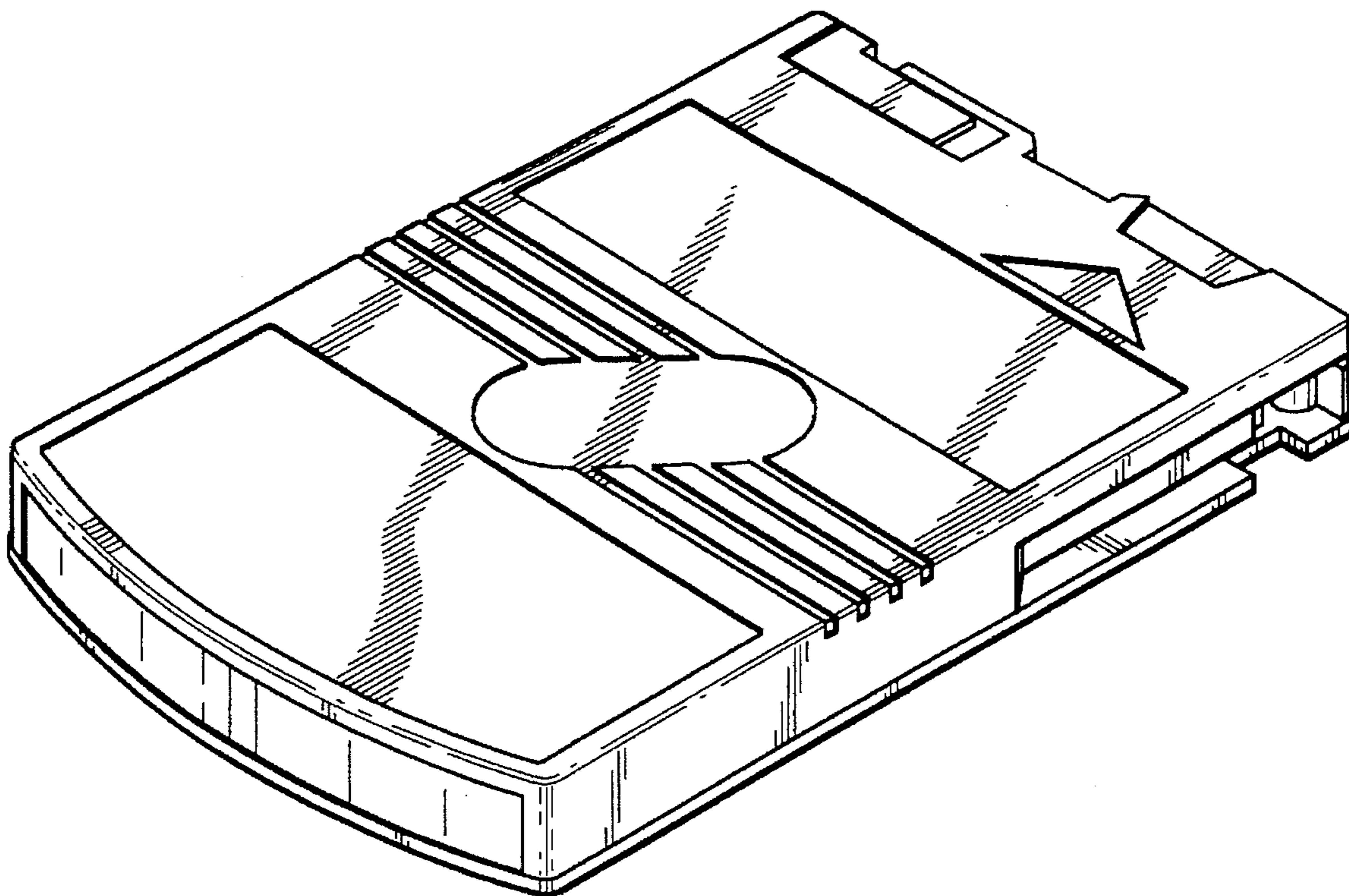
[56] References Cited

U.S. PATENT DOCUMENTS

D. 290,705	7/1987	Yomo	D14/114
D. 319,070	8/1991	Lauander	D18/56
D. 334,403	3/1993	Kawakami	D18/56
D. 349,723	8/1994	Ujita	D18/56
D. 368,082	3/1996	Goto	D14/114
4,262,860	4/1981	Hurtig et al.	242/343.2
4,569,608	2/1986	Watanabe	400/208
5,056,940	10/1991	Basile	400/208
5,186,554	2/1993	Mizutani et al.	D18/56
5,324,123	6/1994	Hattori	400/208
5,333,959	8/1994	Yamaguchi et al.	400/208

FIG. 1 is a perspective view of the extended tape cartridge in accordance with the invention;
 FIG. 2 is a top view of the extended tape cartridge of FIG. 1;
 FIG. 3 is a right side view of the extended tape cartridge of FIG. 1;
 FIG. 4 is a rear view of the extended tape cartridge of FIG. 1;
 FIG. 5 is a bottom view of the extended tape cartridge of FIG. 1;
 FIG. 6 is a left side view of the extended tape cartridge of FIG. 1; and,
 FIG. 7 is a front view of the extended tape cartridge of FIG. 1.

1 Claim, 3 Drawing Sheets



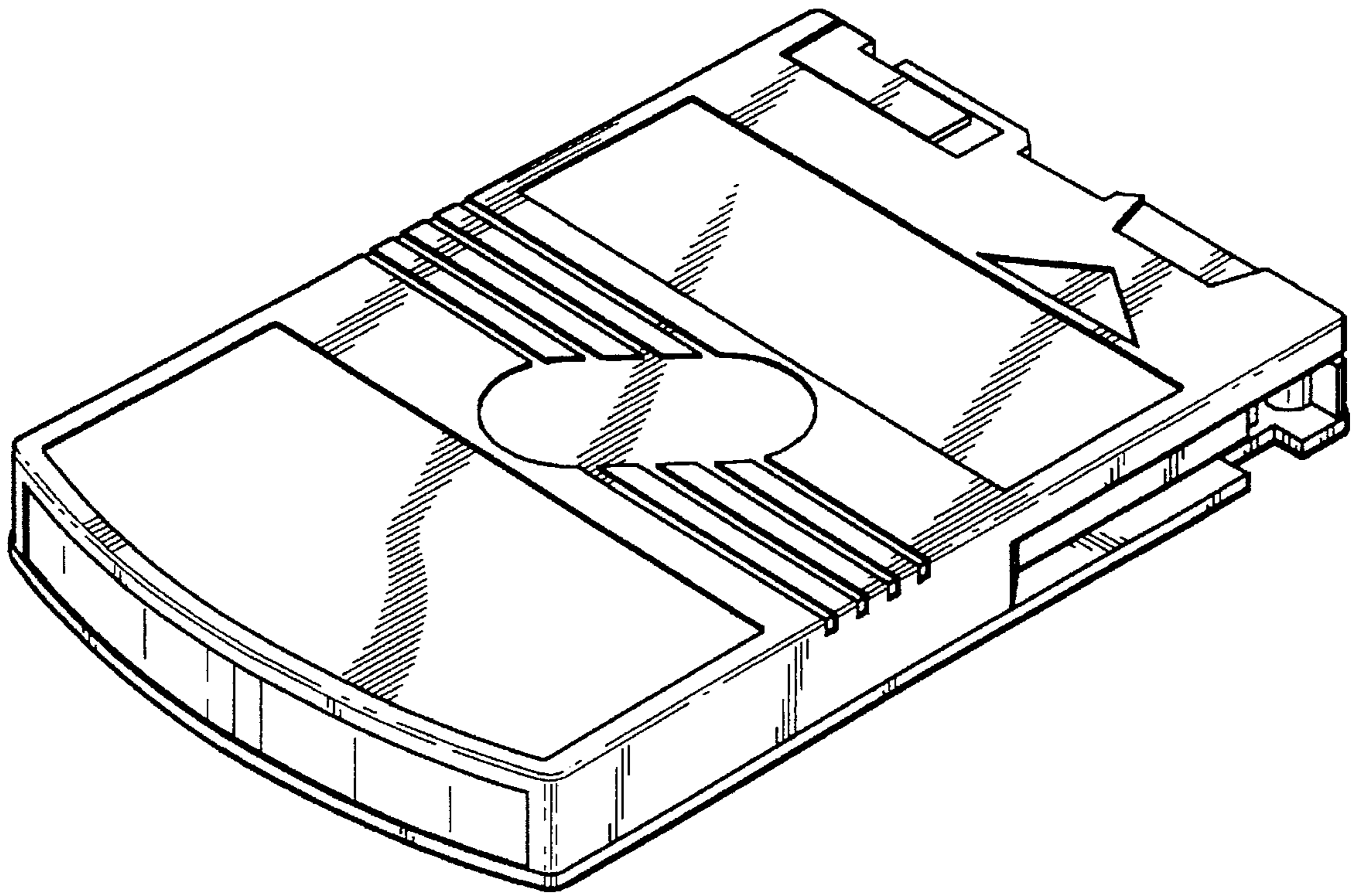


FIG. 1

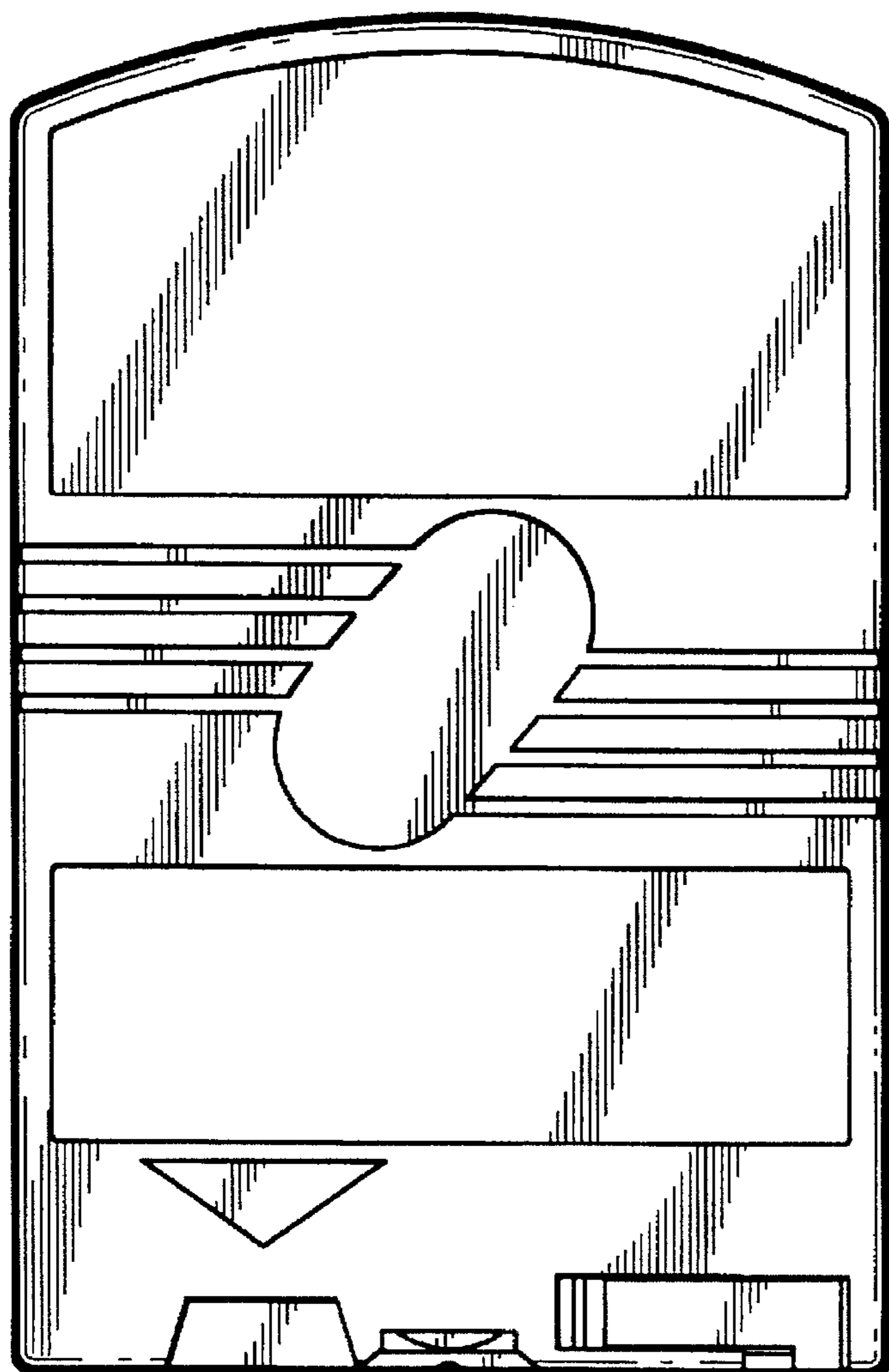


FIG. 2

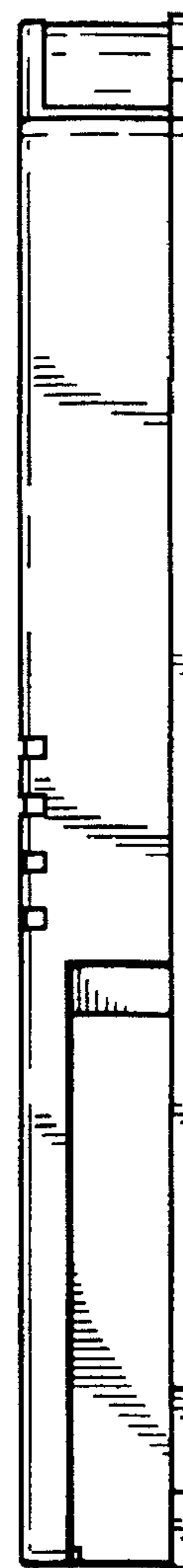


FIG. 3

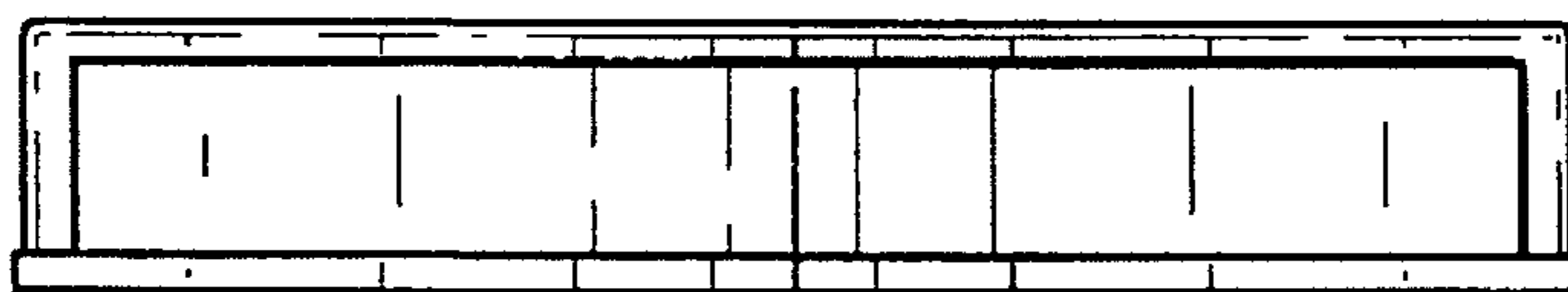


FIG. 4

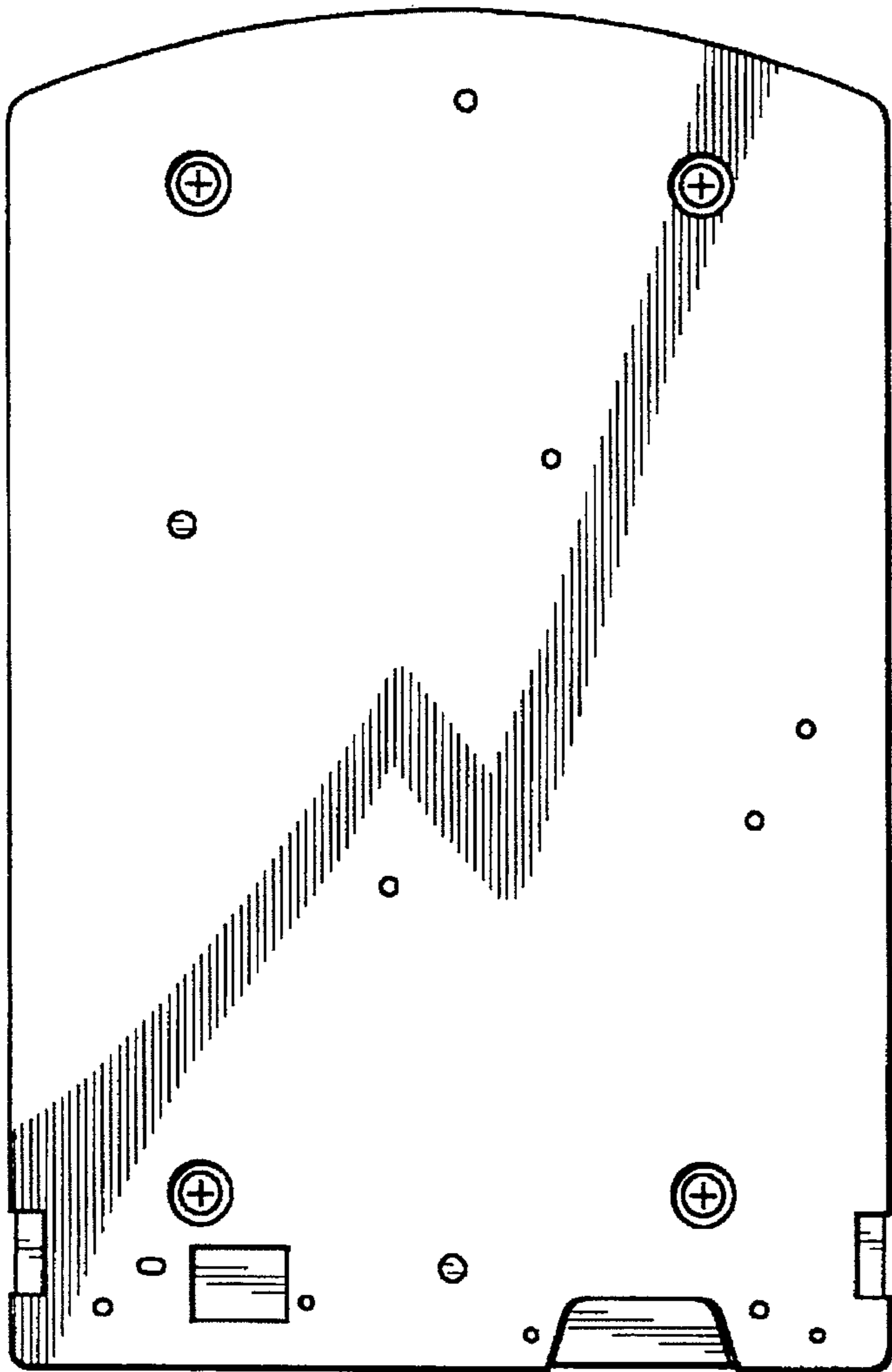


FIG. 5

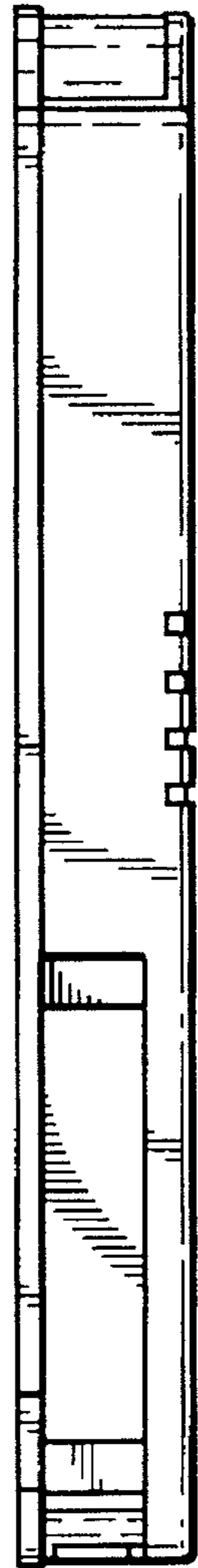


FIG. 6



FIG. 7