



US00D379637S

United States Patent [19]

Akahane et al.

[11] Patent Number: **Des. 379,637**

[45] Date of Patent: ****Jun. 3, 1997**

[54] **PRINT HEAD OF INK JET PRINTER**

[75] Inventors: **Fujio Akahane; Kohji Watanabe**, both of Suwa, Japan

[73] Assignee: **Seiko Epson Corporation**, Tokyo, Japan

[**] Term: **14 Years**

[21] Appl. No.: **43,029**

[22] Filed: **Aug. 23, 1995**

[30] **Foreign Application Priority Data**

Feb. 23, 1995	[JP]	Japan	7-4719
Feb. 23, 1995	[JP]	Japan	7-4720
Apr. 28, 1995	[JP]	Japan	7-12168

[51] LOC (6) Cl. **18-02**

[52] U.S. Cl. **D18/56**

[58] Field of Search **D18/56; 347/86-87**

[56] **References Cited**

U.S. PATENT DOCUMENTS

D. 352,058 11/1994 Kubota et al. **D18/56**

4,755,836	7/1988	Ta et al. .	
5,369,429	11/1994	Erickson	347/85
5,477,255	12/1995	Hugh	347/87
5,526,030	9/1996	Baldwin et al.	347/87

FOREIGN PATENT DOCUMENTS

0192639 10/1985 Japan 347/87

Primary Examiner—Cathy Anne MacCormac
Attorney, Agent, or Firm—Stroock & Stroock & Lavan

[57] **CLAIM**

The ornamental design for a print head of ink jet printer, as shown and described.

DESCRIPTION

FIG. 1 is a top, front and right side perspective view of a print head of ink jet printer showing our new design; FIG. 2 is a front view thereof; FIG. 3 is a top plan view thereof; FIG. 4 is a right side view thereof; FIG. 5 is a left side view thereof; FIG. 6 is a rear view thereof; and, FIG. 7 is a bottom view thereof.

1 Claim, 3 Drawing Sheets

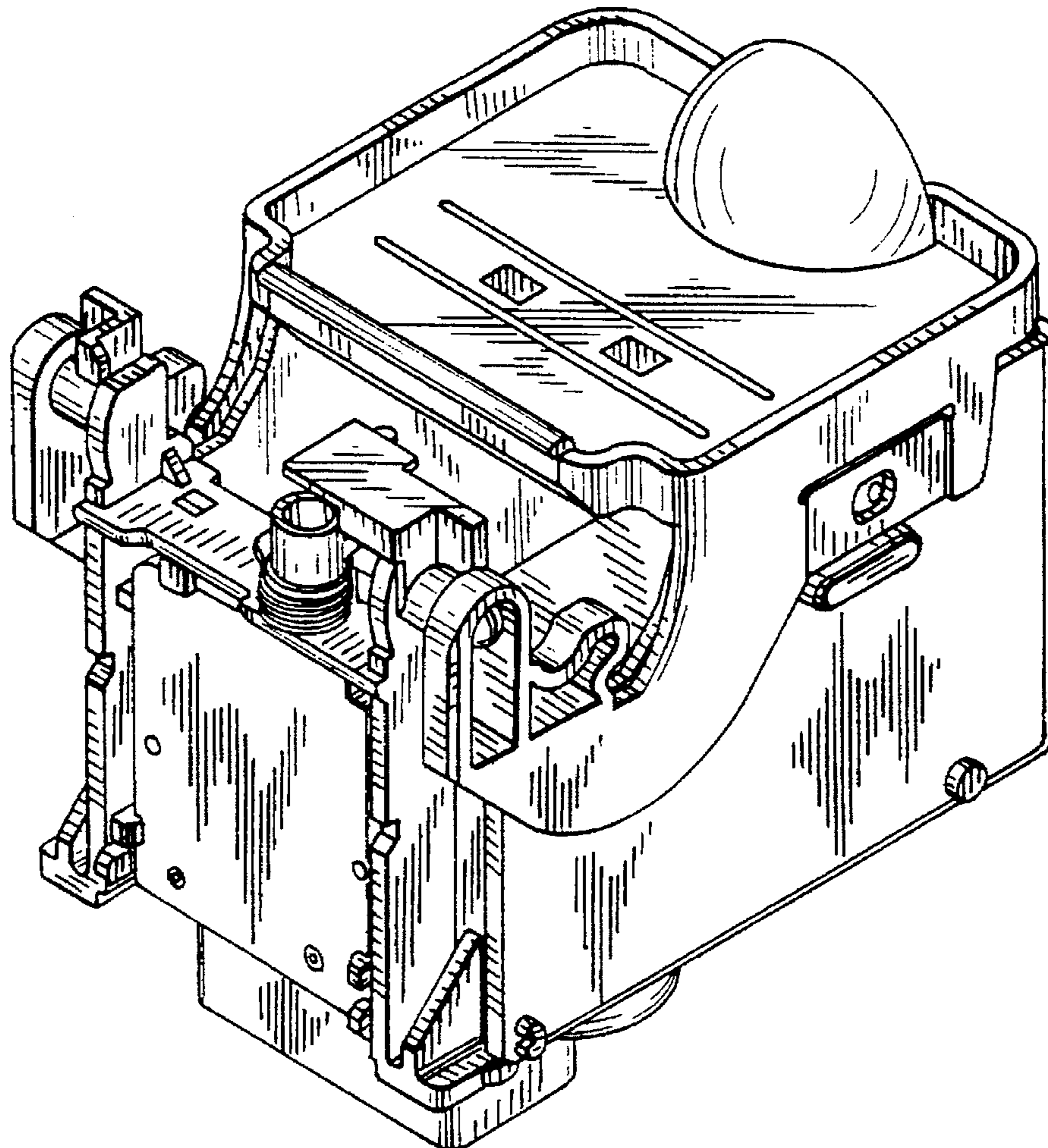


FIG. 1

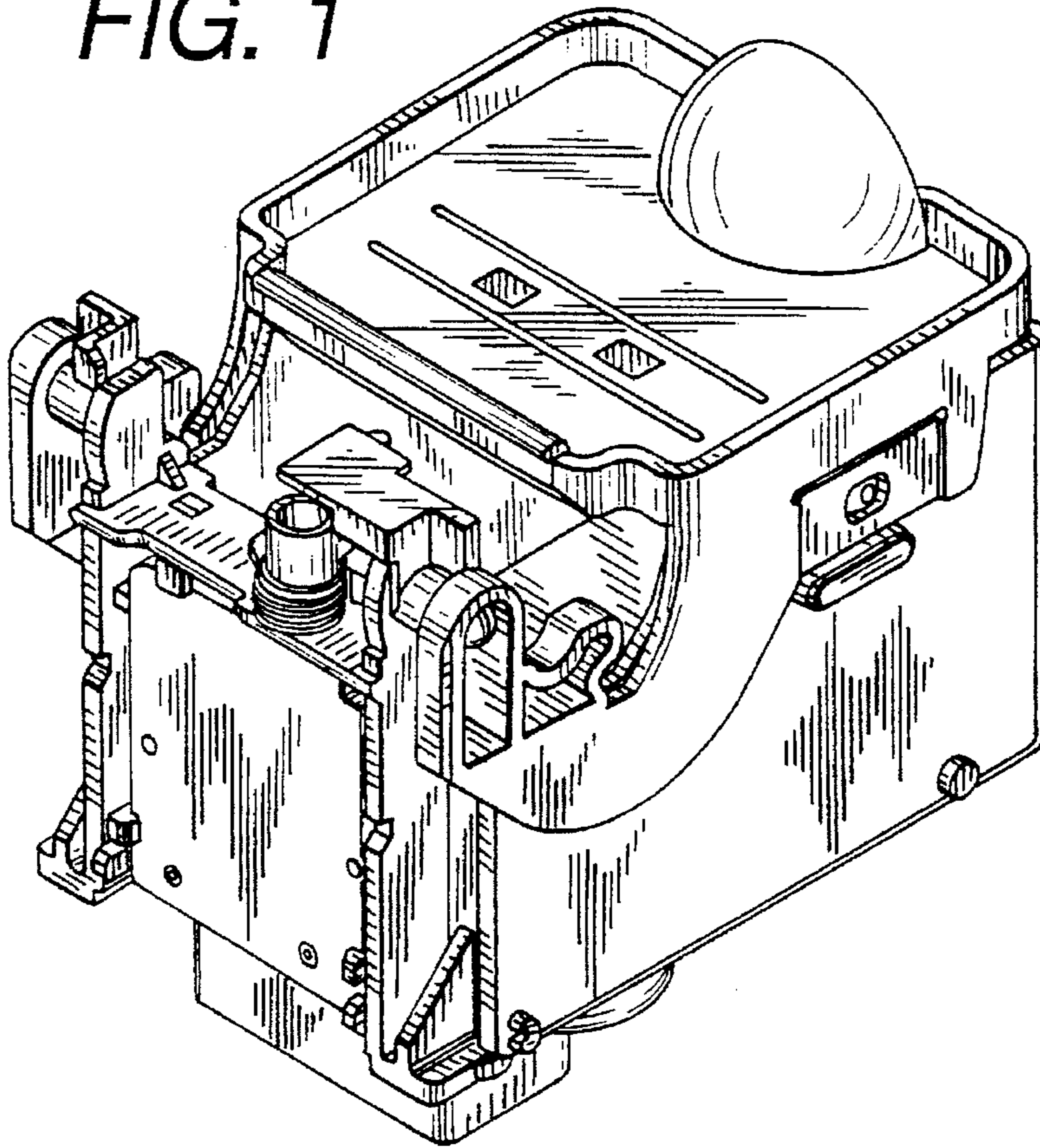


FIG. 2

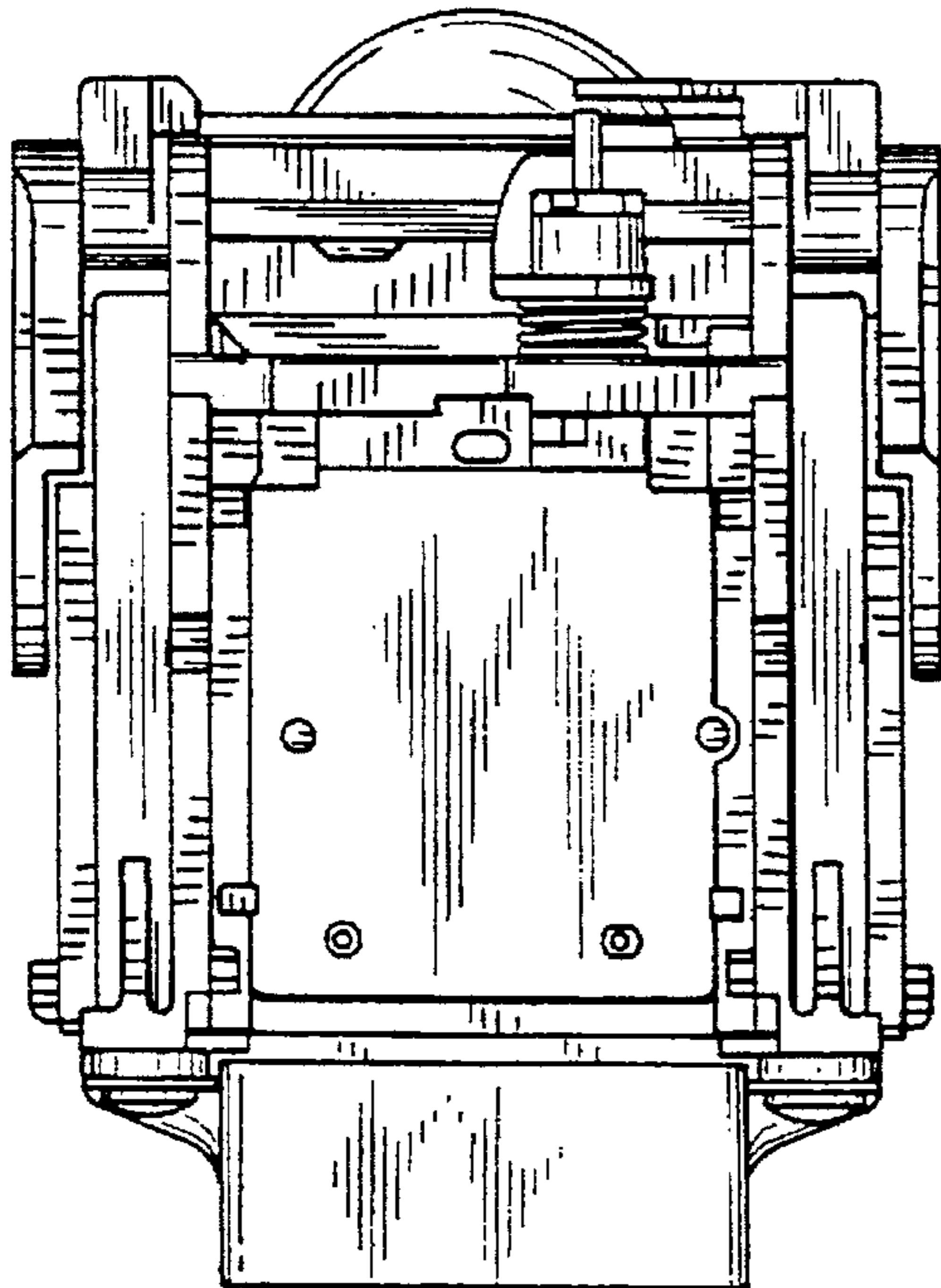


FIG. 3

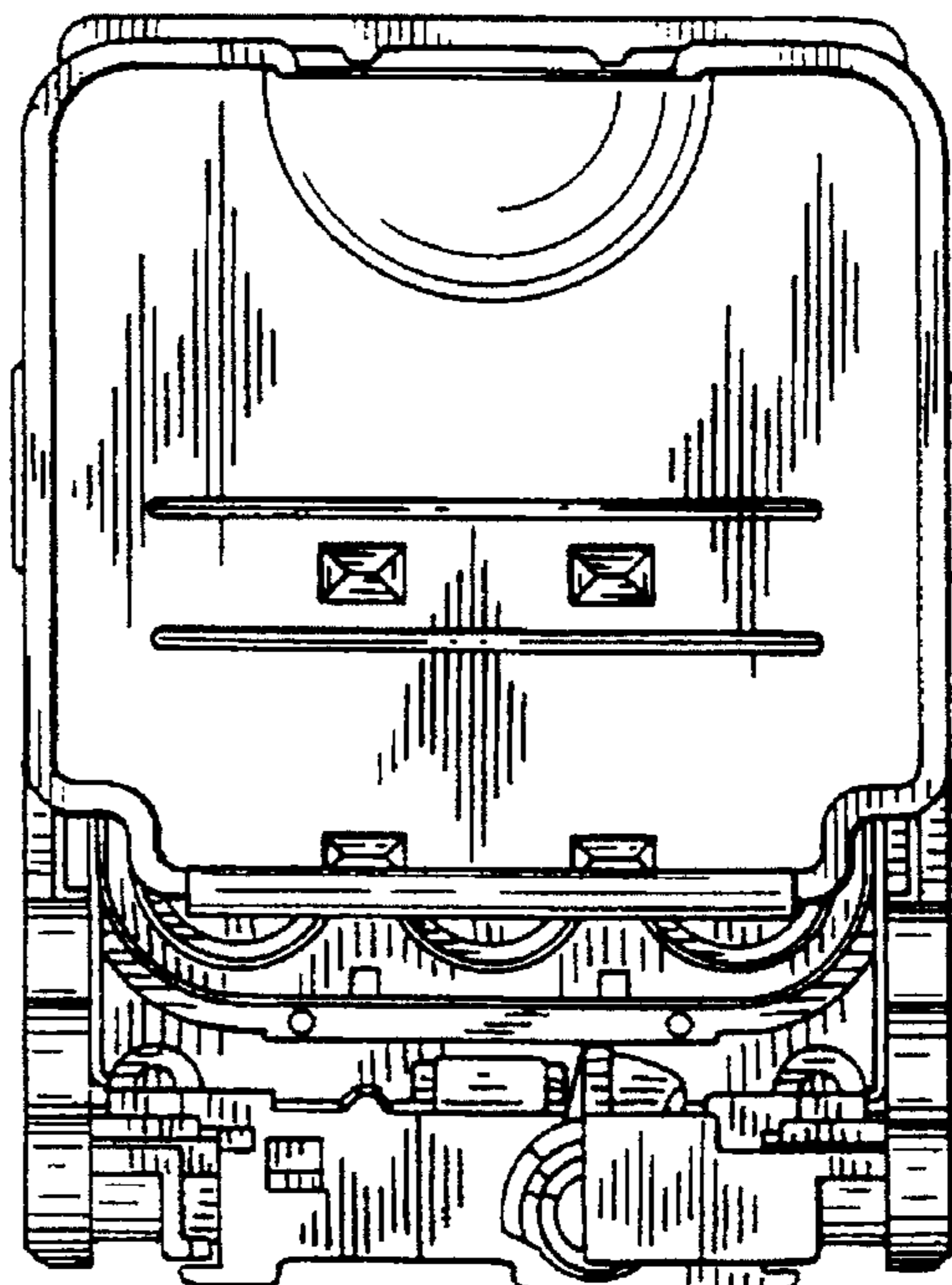


FIG. 4

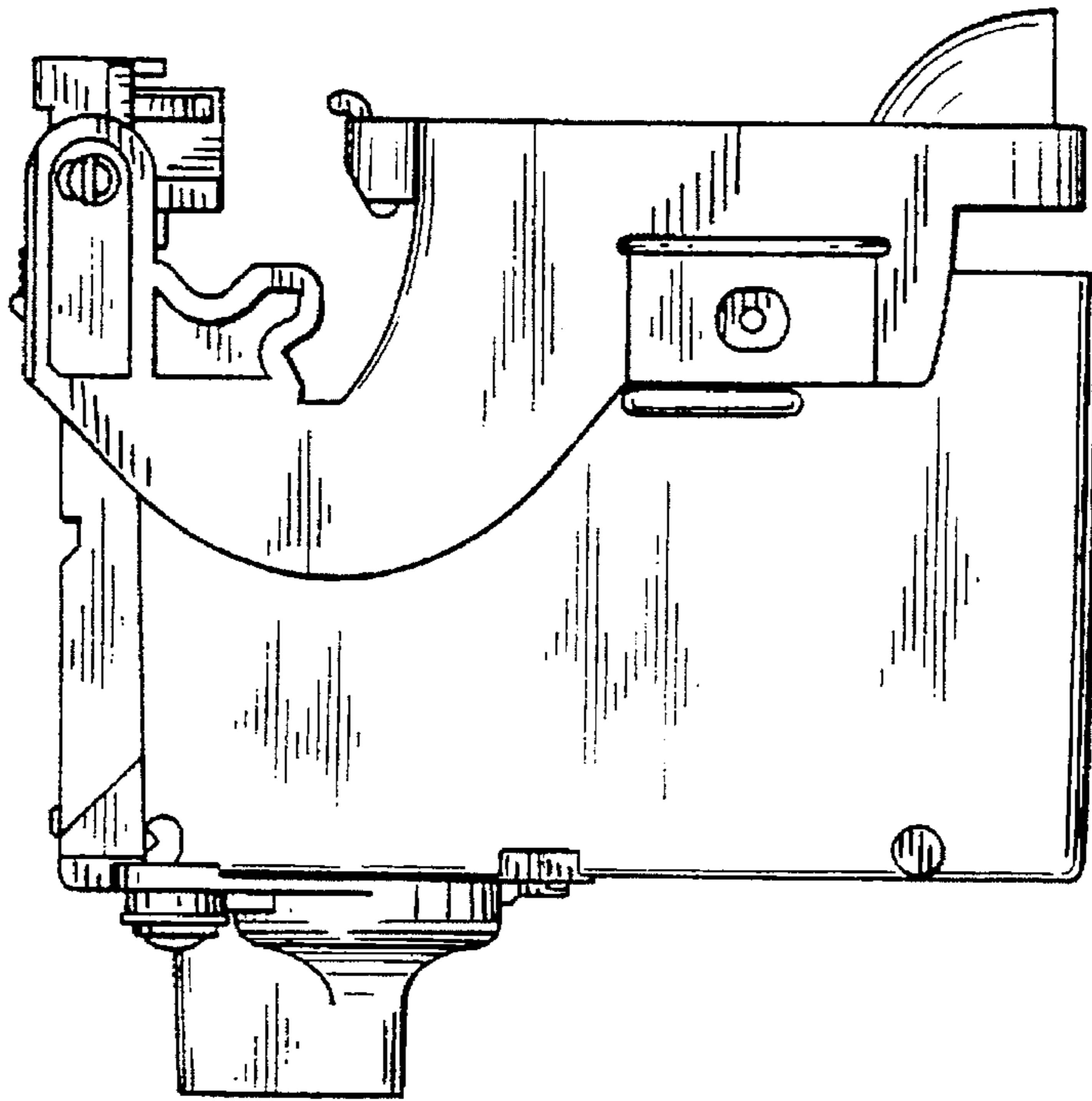


FIG. 5

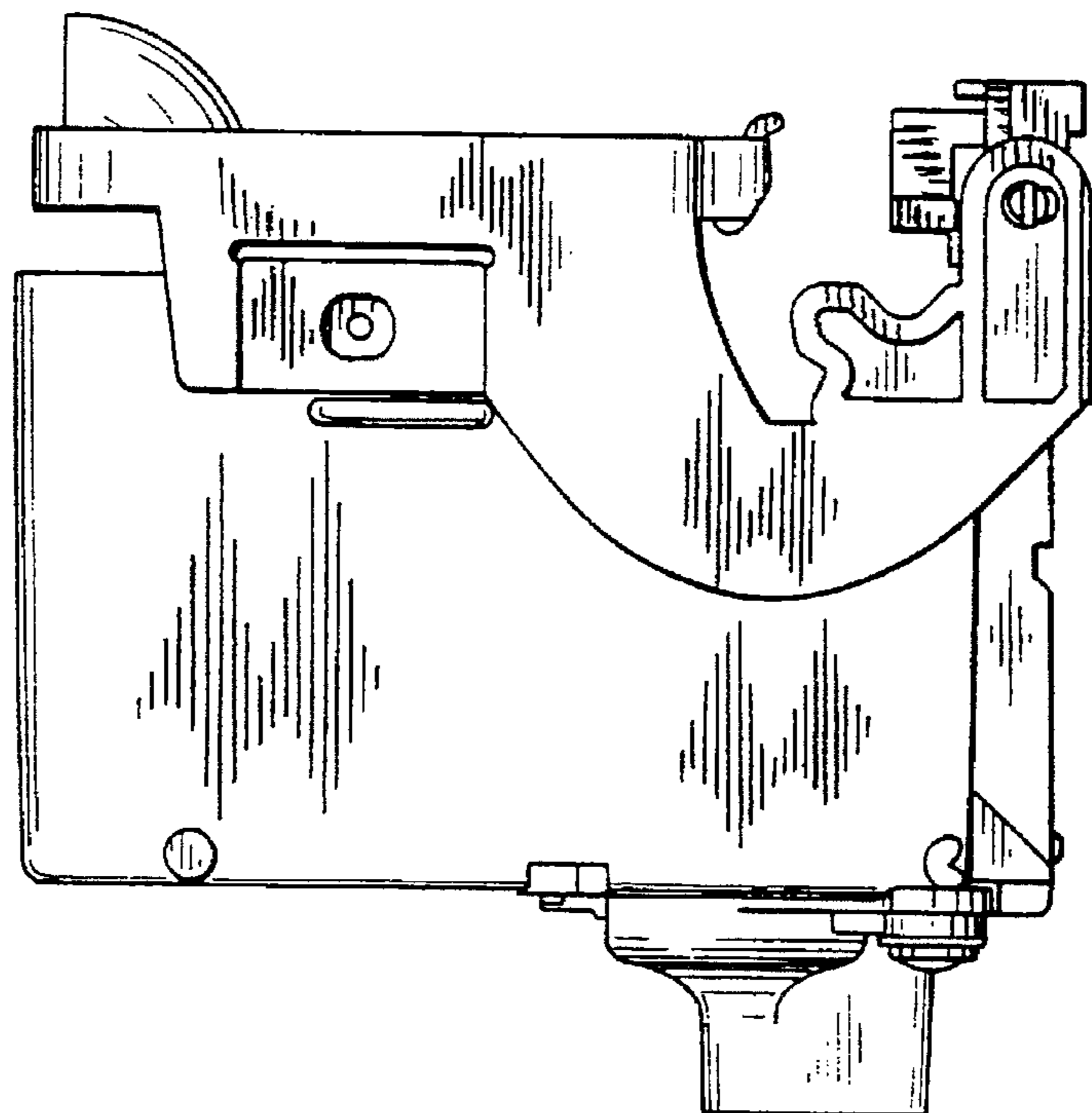


FIG. 6

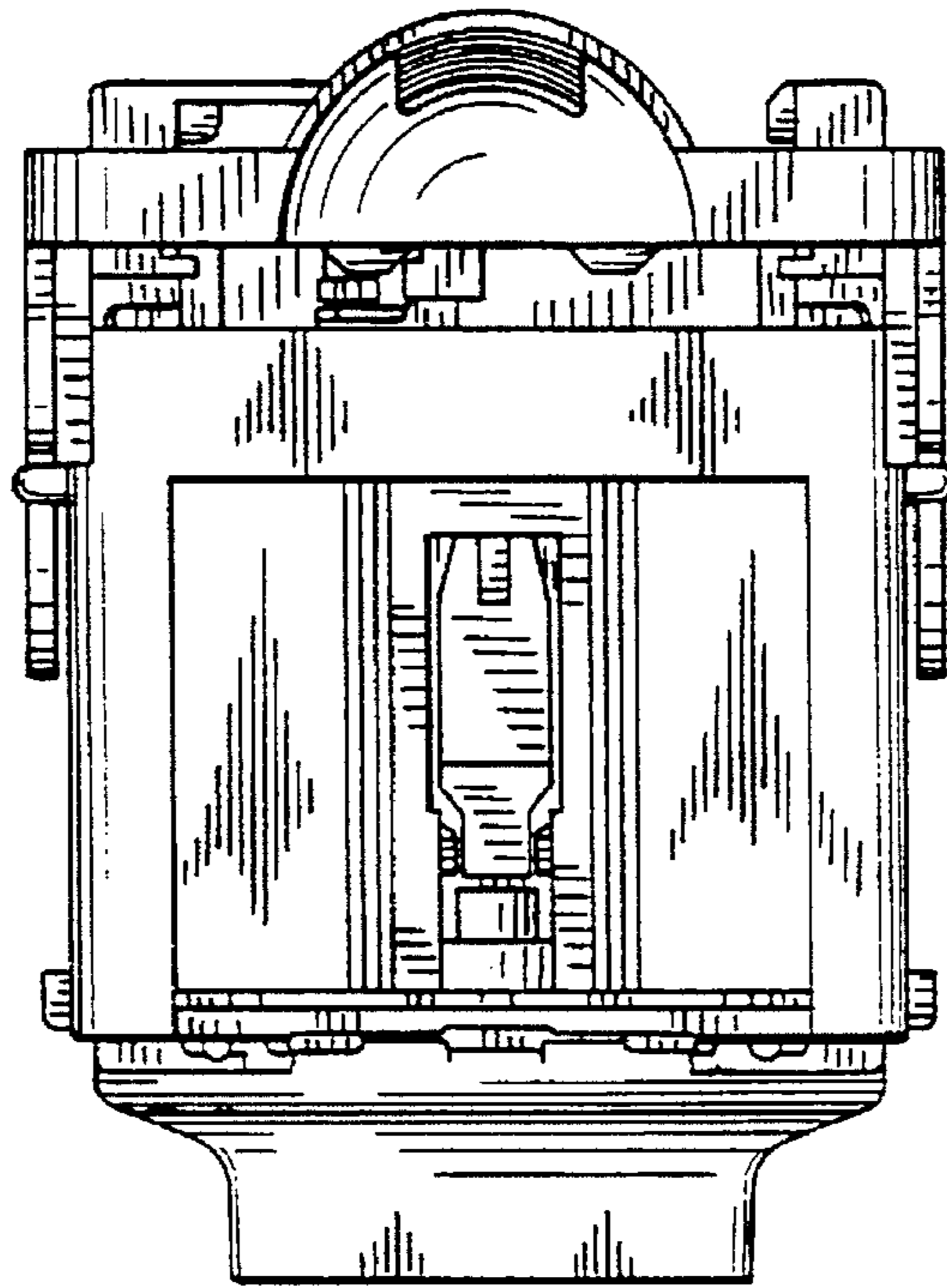


FIG. 7

