



US00D379635S

United States Patent [19]

Shibata et al.

[11] Patent Number: **Des. 379,635**

[45] Date of Patent: ****Jun. 3, 1997**

[54] **SORTER FOR A COPYING MACHINE**

[75] Inventors: **Mikio Shibata**, Iwatsuki; **Masatomo Naruki**, Yokohama; **Makoto Shimura**; **Masato Hosaka**, both of Yamanashi-ken, all of Japan

[73] Assignees: **Kabushiki Kaisha Toshiba**, Kawasaki; **Nisuka Corporation**, Yamanashi-ken, both of Japan

[**] Term: **14 Years**

[21] Appl. No.: **50,740**

[22] Filed: **Feb. 26, 1996**

[30] **Foreign Application Priority Data**

Aug. 31, 1995 [JP] Japan 7-25180

[51] **LOC (6) Cl.** **18-99**

[52] **U.S. Cl.** **D18/48**

[58] **Field of Search** D18/36-40, 46-49; 271/8.1, 10, 278, 287, 293; 355/200, 308, 309, 322, 323; 358/300; 400/595, 624-629

[56] **References Cited**

U.S. PATENT DOCUMENTS

D. 286,539 11/1986 Hashimoto D18/48

D. 293,800 1/1988 Imai D18/48
D. 309,632 7/1990 Komada et al. D18/48
D. 333,834 3/1993 Isomoto et al. D18/48

FOREIGN PATENT DOCUMENTS

841738 7/1992 Japan .
907072 9/1994 Japan .
132817 12/1992 Rep. of Korea .

Primary Examiner—James Gandy
Assistant Examiner—Caron D. Veynar
Attorney, Agent, or Firm—Oblon, Spivak, McClelland, Maier & Neustadt, P.C.

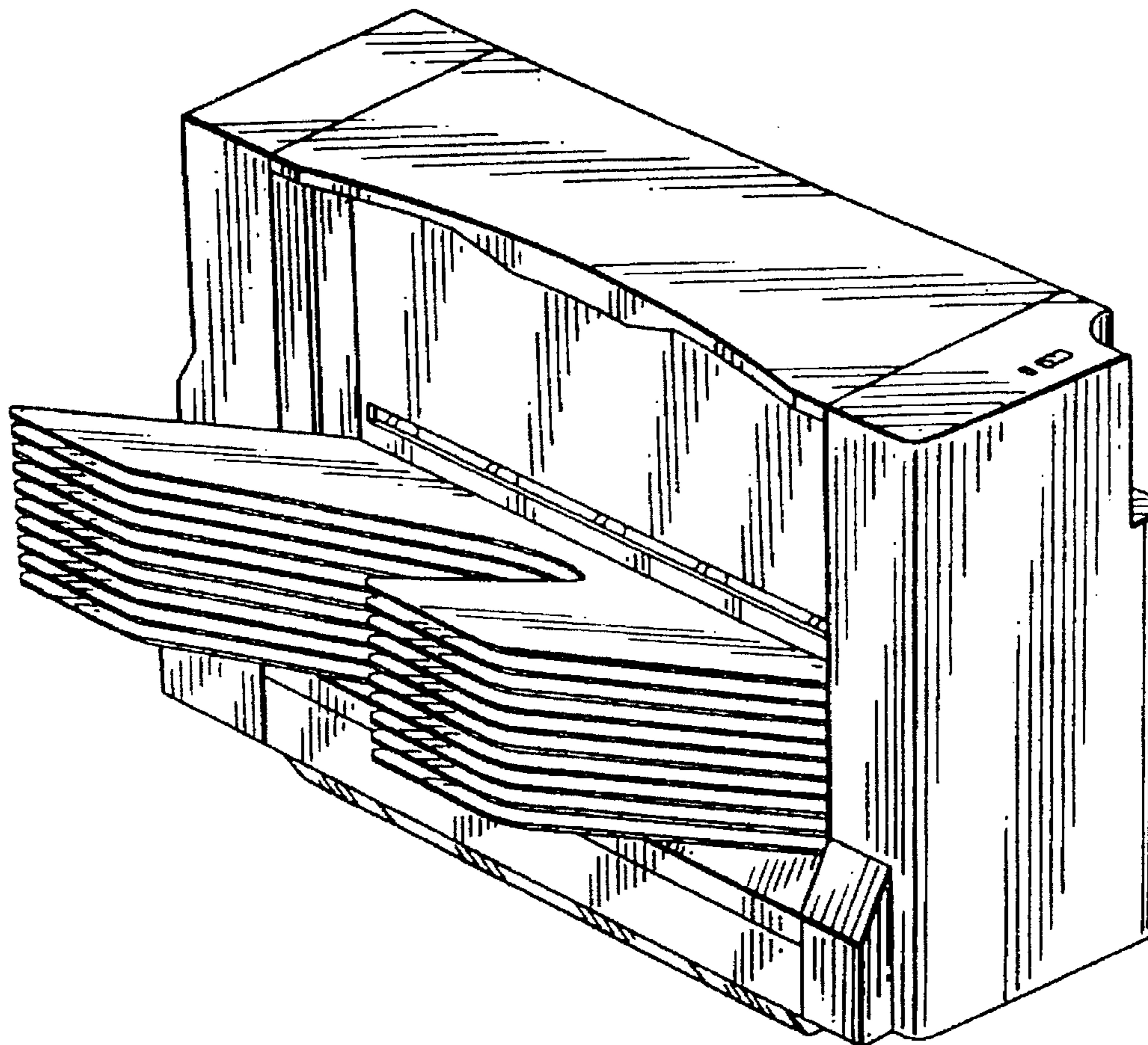
[57] **CLAIM**

The ornamental design for a sorter for a copying machine, as shown.

DESCRIPTION

FIG. 1 is a front, top and right side perspective view of a sorter for a copying machine, showing our new design; FIG. 2 is a front elevational view thereof; FIG. 3 is a top plan view thereof; FIG. 4 is a right side elevational view thereof; FIG. 5 is a left side elevational view thereof; FIG. 6 is a rear elevational view thereof; and, FIG. 7 is a bottom plan view thereof.

1 Claim, 2 Drawing Sheets



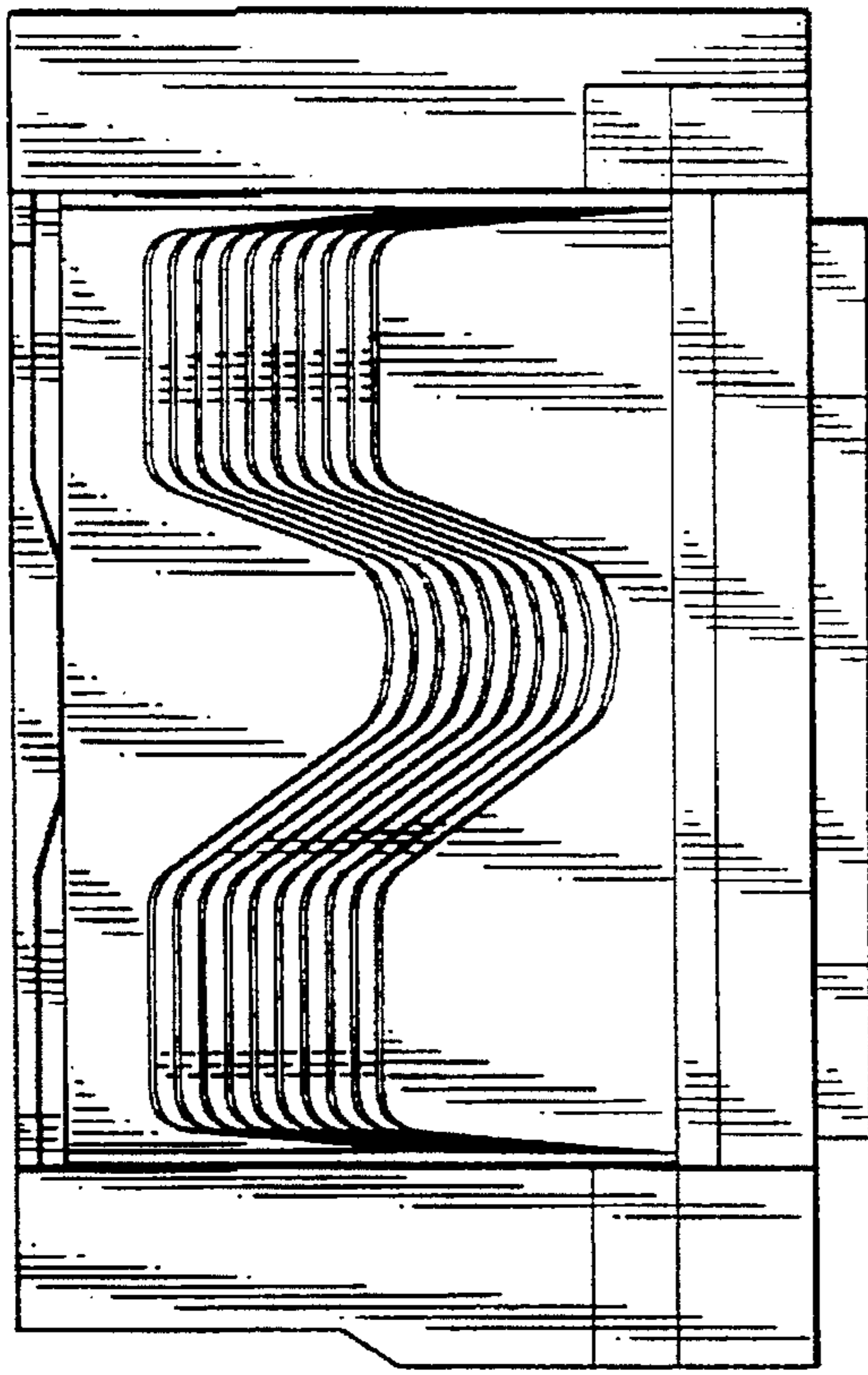


FIG. 2

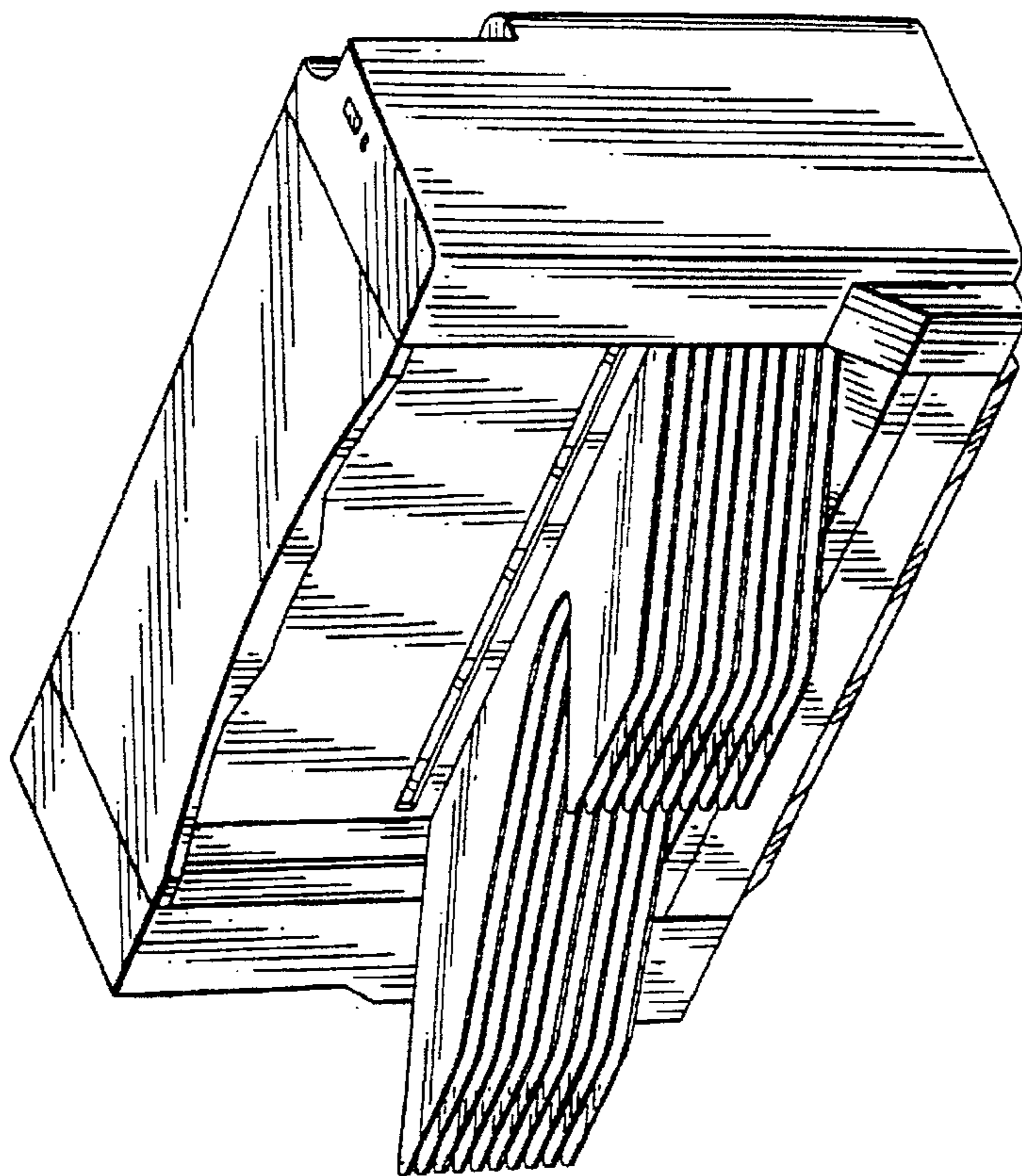
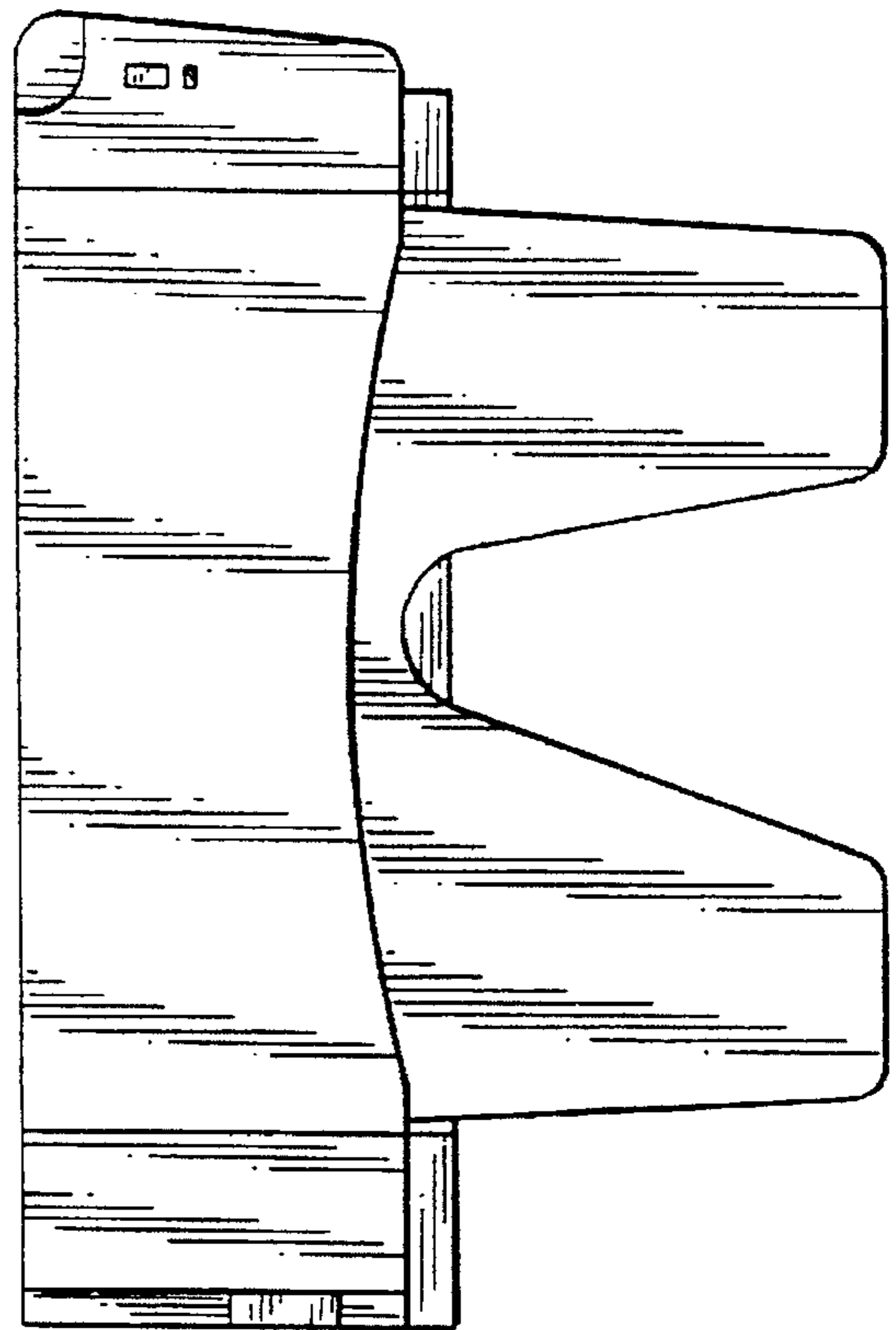


FIG. 1

FIG. 3



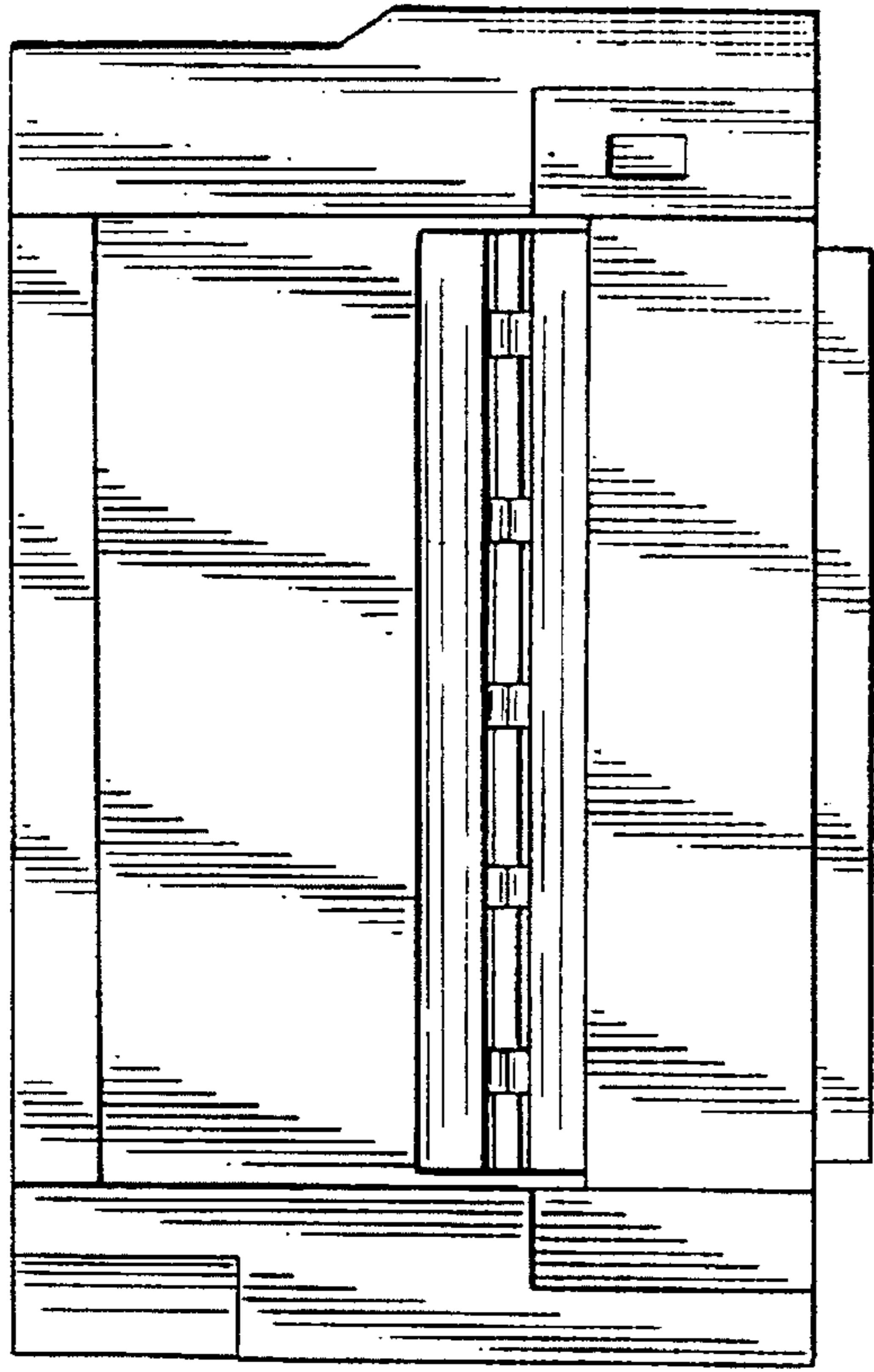


FIG. 6

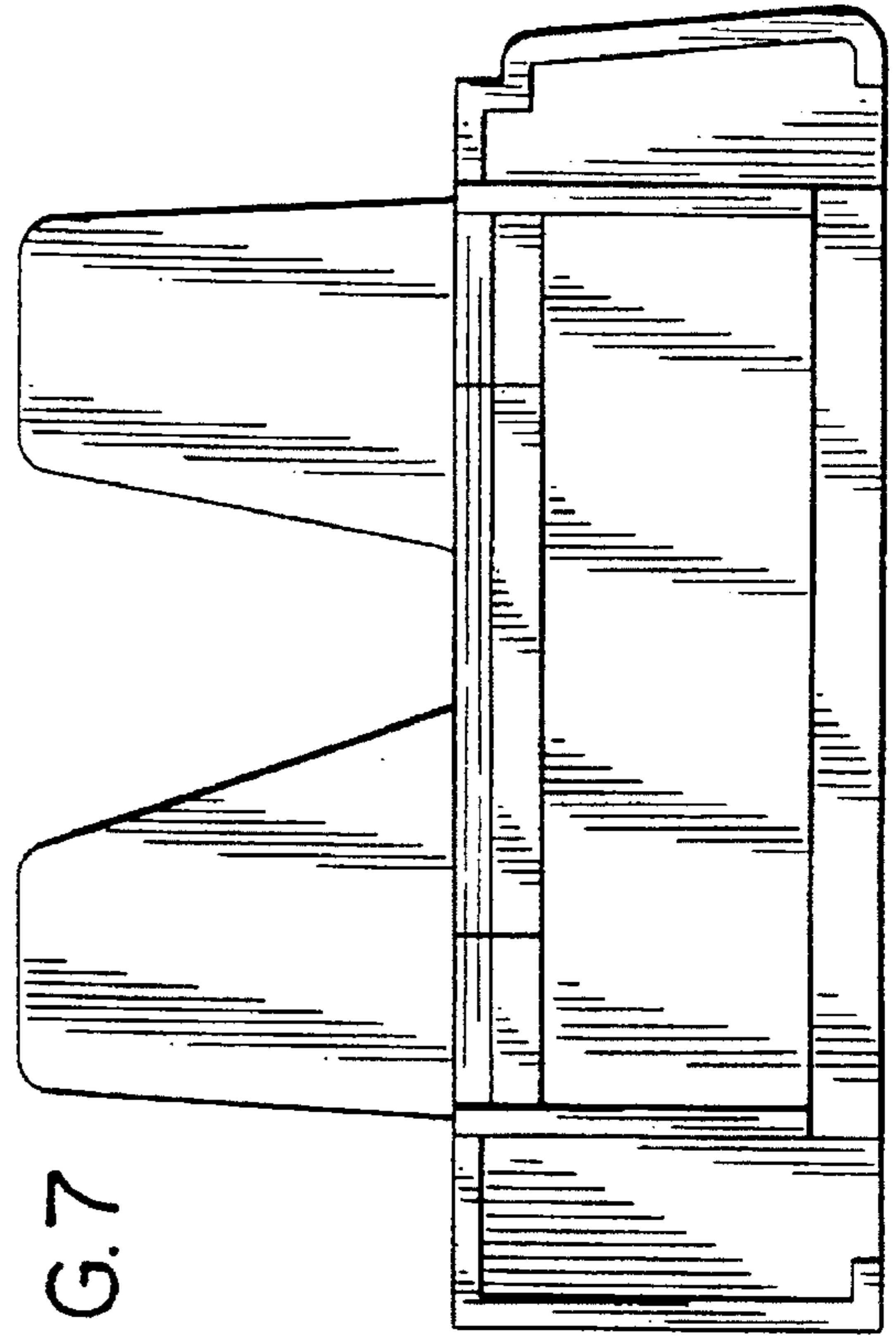


FIG. 7

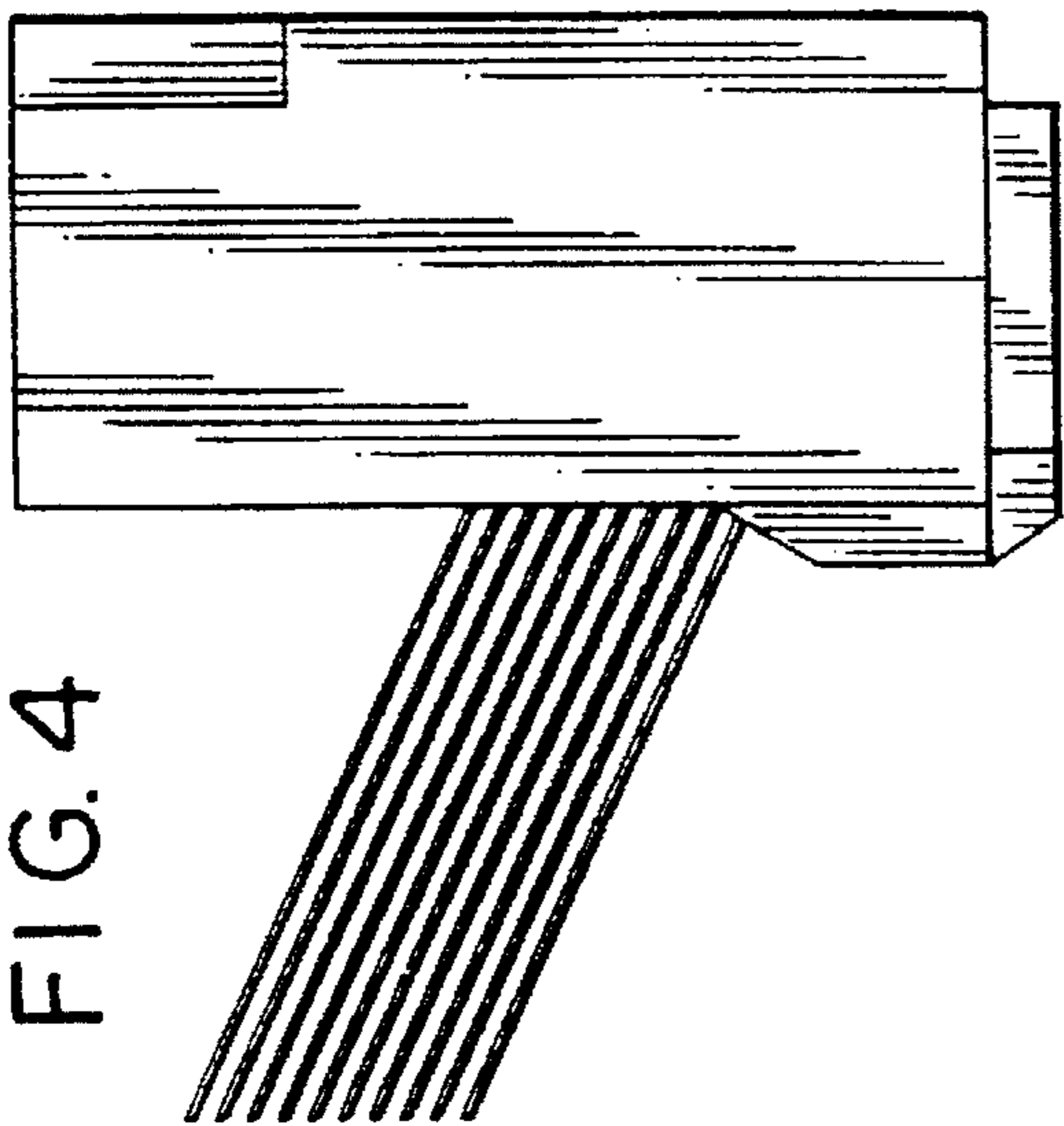


FIG. 4

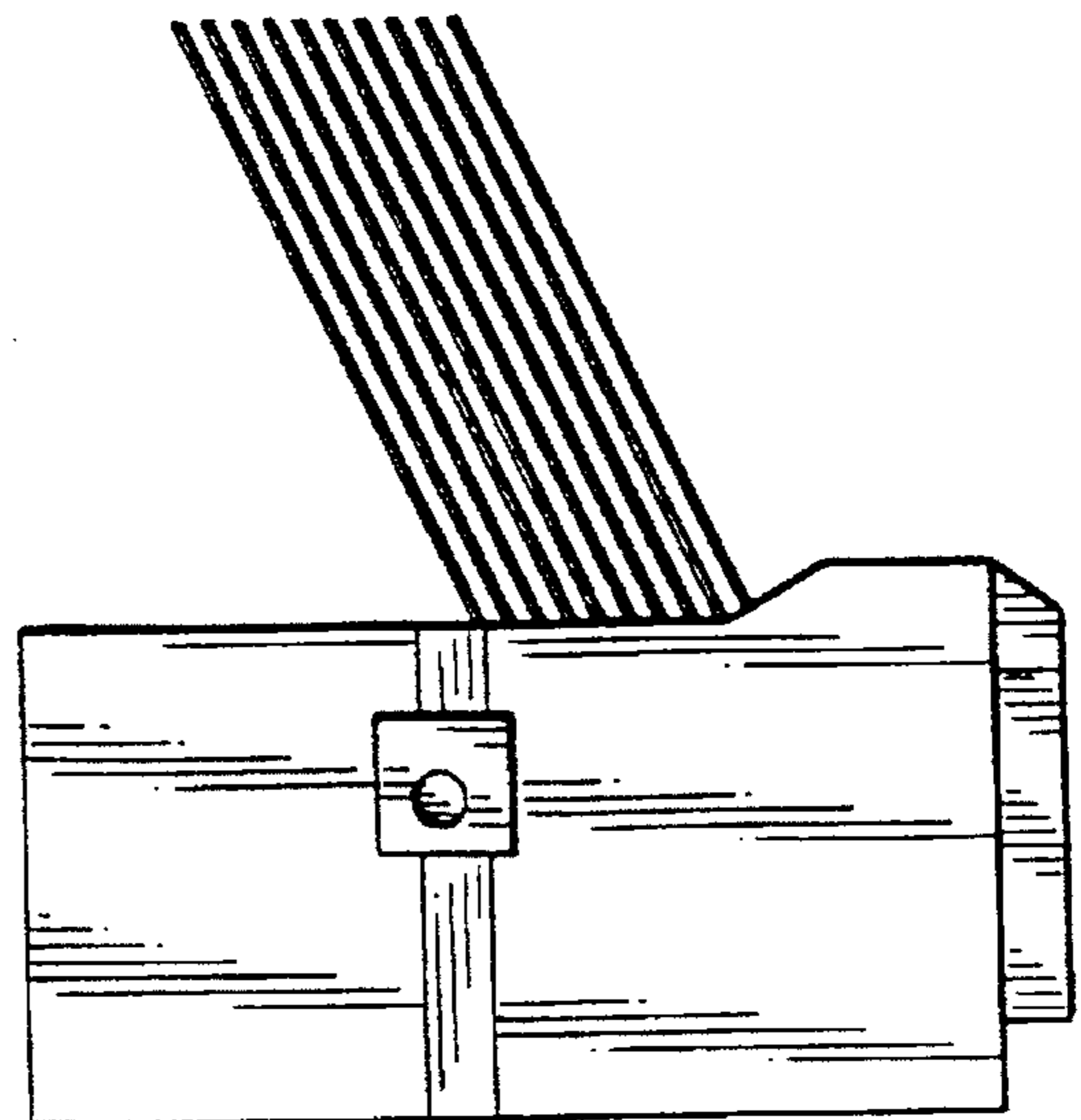


FIG. 5

UNITED STATES PATENT AND TRADEMARK OFFICE
CERTIFICATE OF CORRECTION

PATENT NO. : Des. 379,635

DATED : June 3, 1997

INVENTOR(S): Mikio SHIBATA, et al.

It is certified that an error appears in the above-identified patent and that said Letters Patent is hereby corrected as shown below:

On the title page, Item [73], the Assignee information is incorrectly listed.
Item [73] should read as follows:

--- [73] Assignees: **Kabushiki Kaisha Toshiba**, Kawasaki-shi;
Nisca Corporation, Minamikoma-gun, all of Japan ---

Signed and Sealed this
Seventeenth Day of April, 2001

Attest:



NICHOLAS P. GODICI

Attesting Officer

Acting Director of the United States Patent and Trademark Office