



US00D379634S

United States Patent [19]

Ootani et al.

[11] Patent Number: **Des. 379,634**

[45] Date of Patent: ****Jun. 3, 1997**

[54] **TONER CARTRIDGE**

[75] Inventors: **Sinichi Ootani; Minoru Mizutani; Yoshiharu Momiyama**, all of Tokyo, Japan

[73] Assignee: **Oki Data Corporation**, Tokyo, Japan

[**] Term: **14 Years**

[21] Appl. No.: **41,116**

[22] Filed: **Jul. 6, 1995**

[30] **Foreign Application Priority Data**

Jan. 9, 1995 [JP] Japan 7-000053

[51] LOC (6) Cl. **16-03**

[52] U.S. Cl. **D18/43**

[58] Field of Search D18/36, 40, 43, D18/56; 206/216, 229, 316, 446, 461, 467, 474, 495, 527, 532, 601, 628, 633; 222/166, 240, 325, 541; 355/200, 245, 260

[56] **References Cited**

U.S. PATENT DOCUMENTS

D. 216,281 12/1969 Moyroud D18/43

D. 240,201 6/1976 Avolio et al. D18/43
D. 252,557 8/1979 Walker et al. D18/43
D. 356,815 3/1995 Nakasima et al. D18/43

Primary Examiner—James Gandy
Assistant Examiner—Caron D. Veynar
Attorney, Agent, or Firm—Ladas & Parry

[57] **CLAIM**

The ornamental design for an toner cartridge, as shown and described.

DESCRIPTION

FIG. 1 is a front view of an embodiment of a toner cartridge showing our new design;
FIG. 2 is a rear view of the embodiment of FIG. 1;
FIG. 3 is a top view of the embodiment of FIG. 1;
FIG. 4 is a bottom view of the embodiment of FIG. 1;
FIG. 5 is a right side view of the embodiment of FIG. 1;
FIG. 6 is a left side view of the embodiment of FIG. 1;
FIG. 7 is a perspective view of the embodiment of FIG. 1; and,
FIG. 8 is a perspective view, the broken line showing of an image drum cartridge being for illustrative purposes only and forms no part of the claimed design.

1 Claim, 5 Drawing Sheets

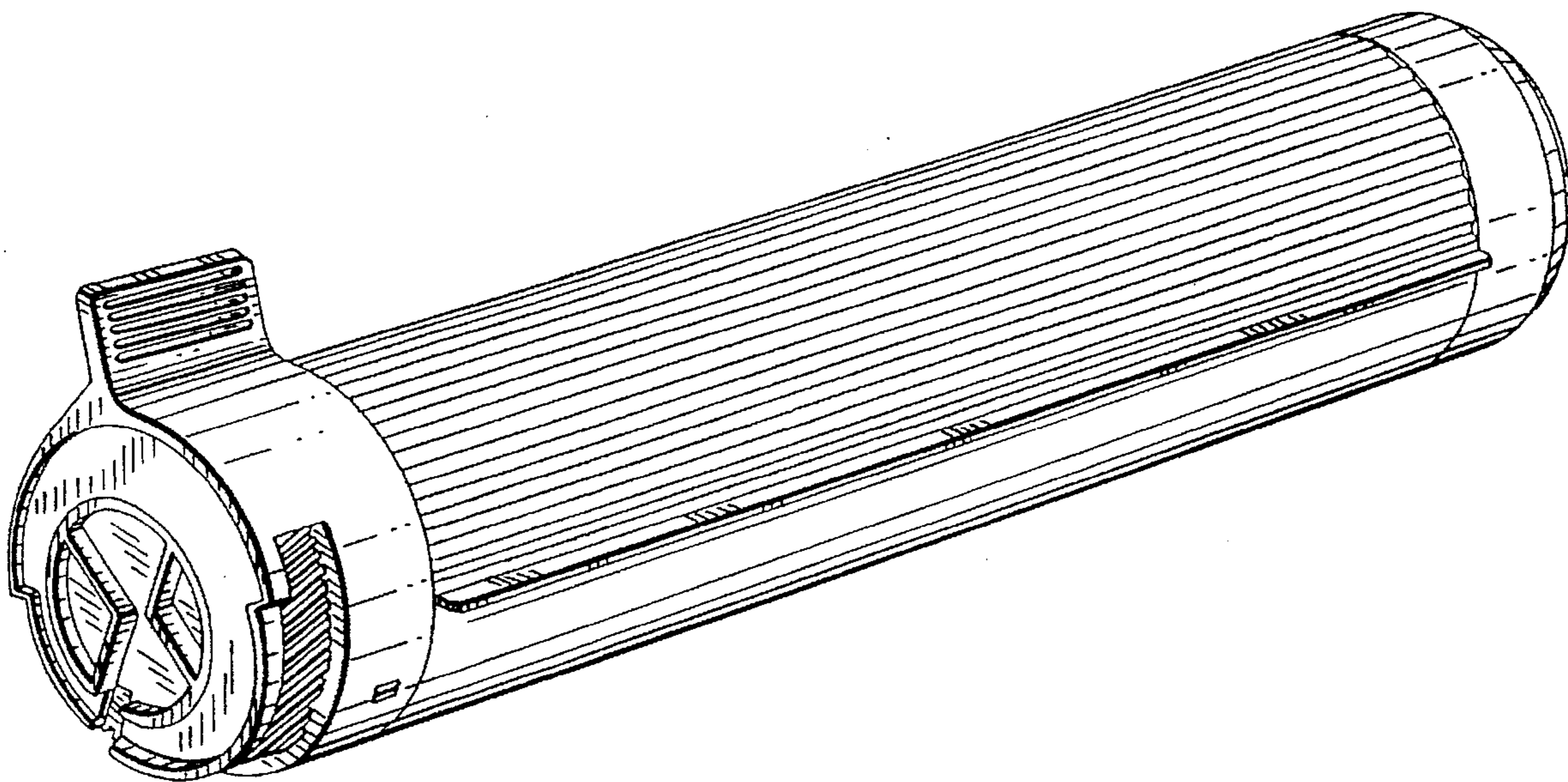


FIG. 1

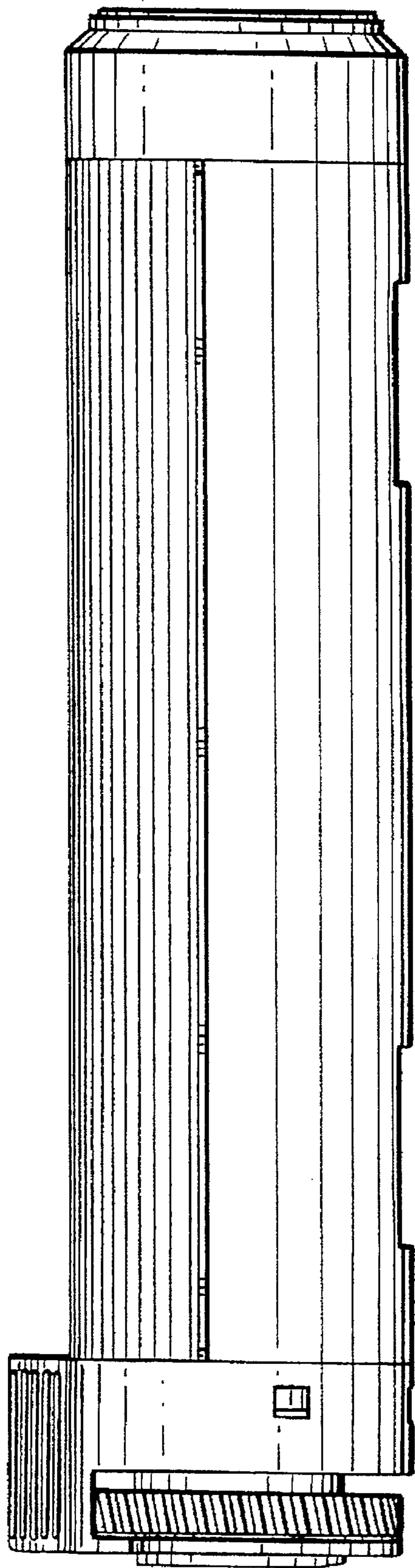


FIG. 2

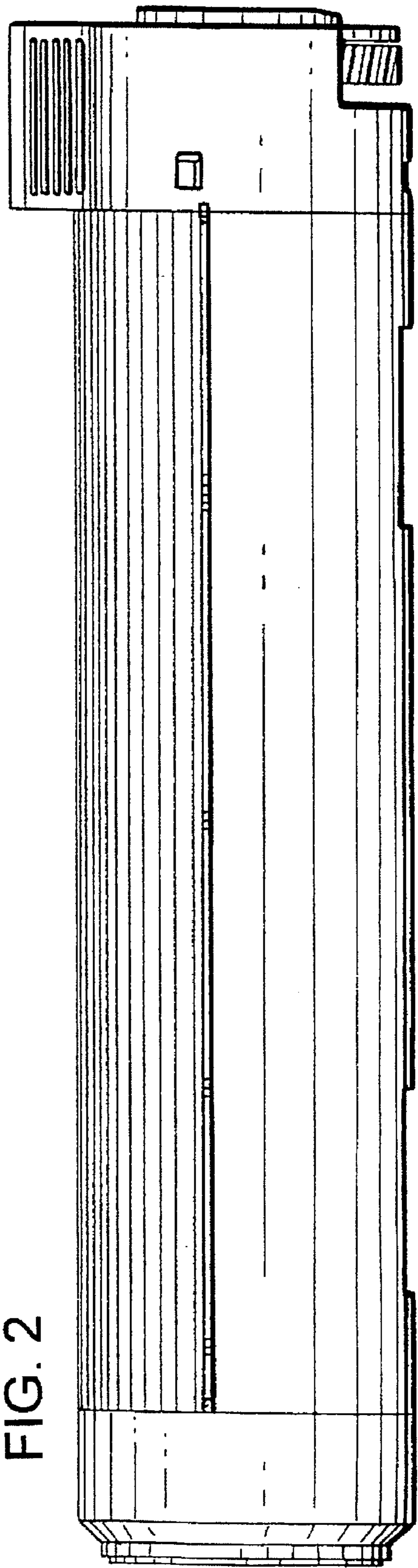


FIG. 3

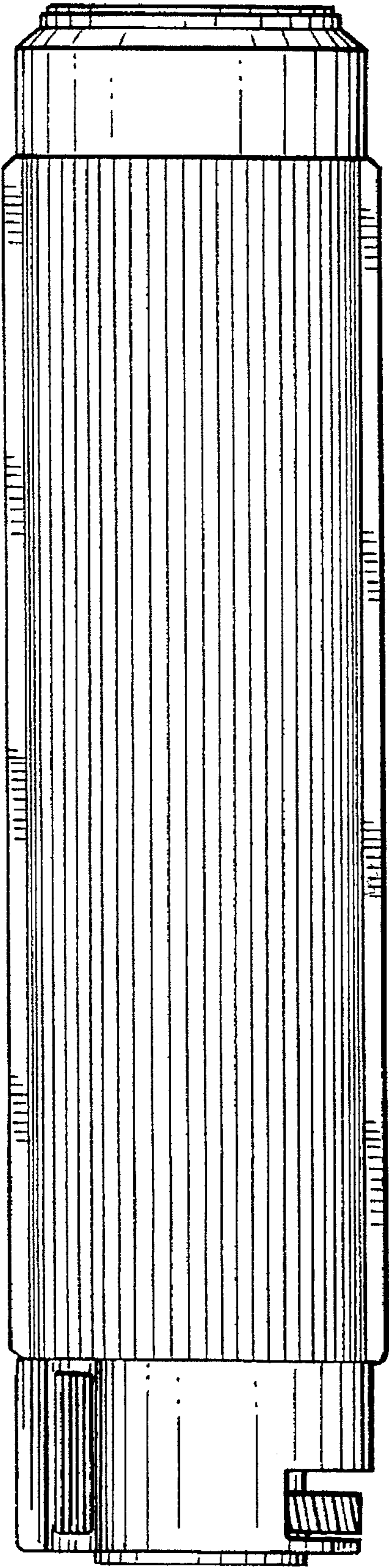


FIG. 4

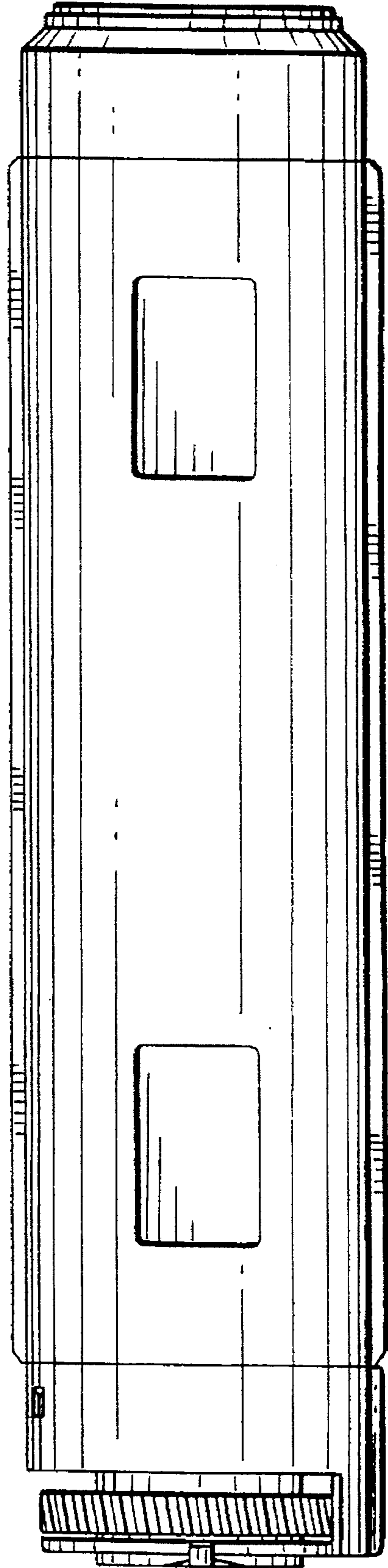


FIG. 5

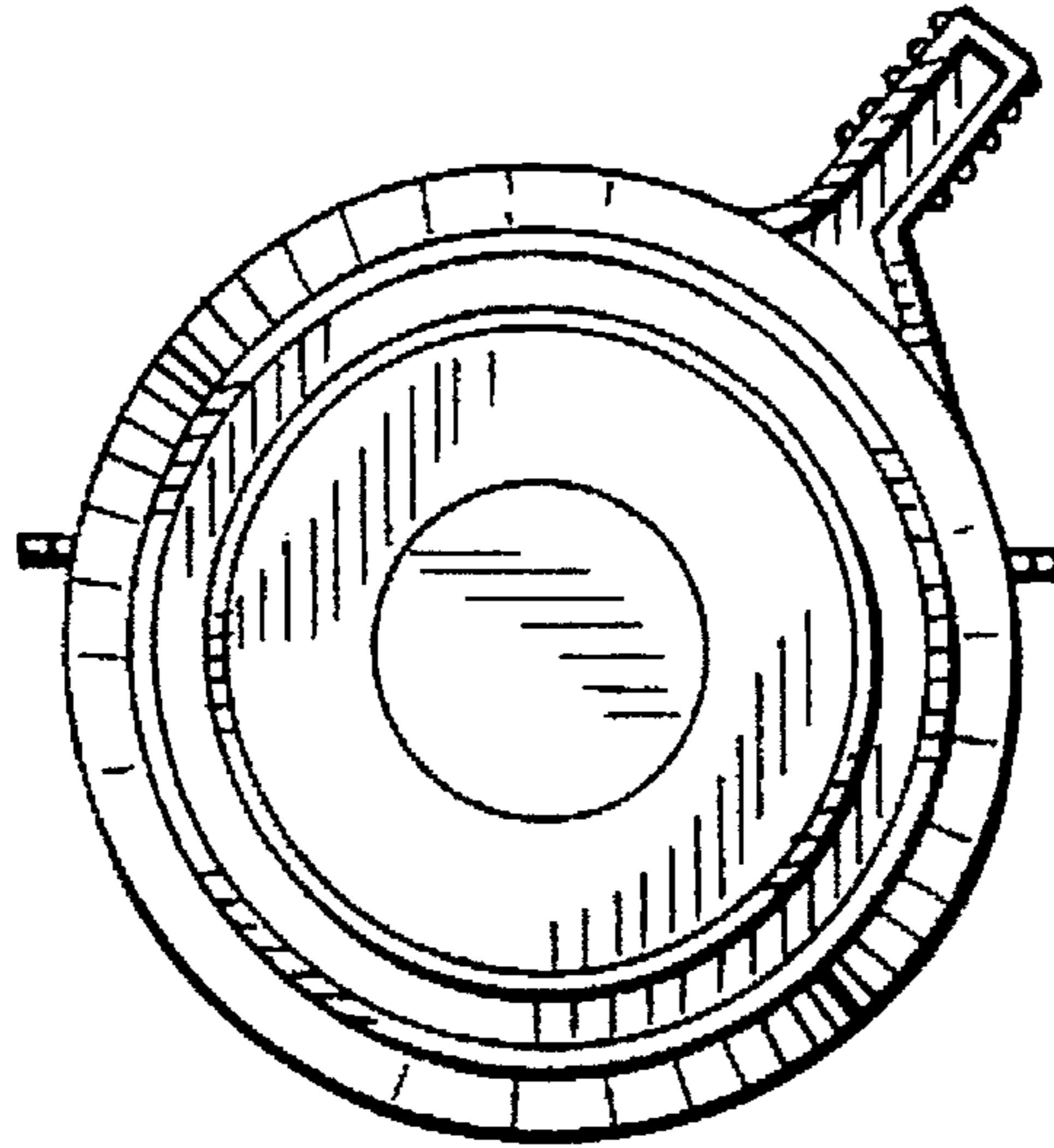


FIG. 6

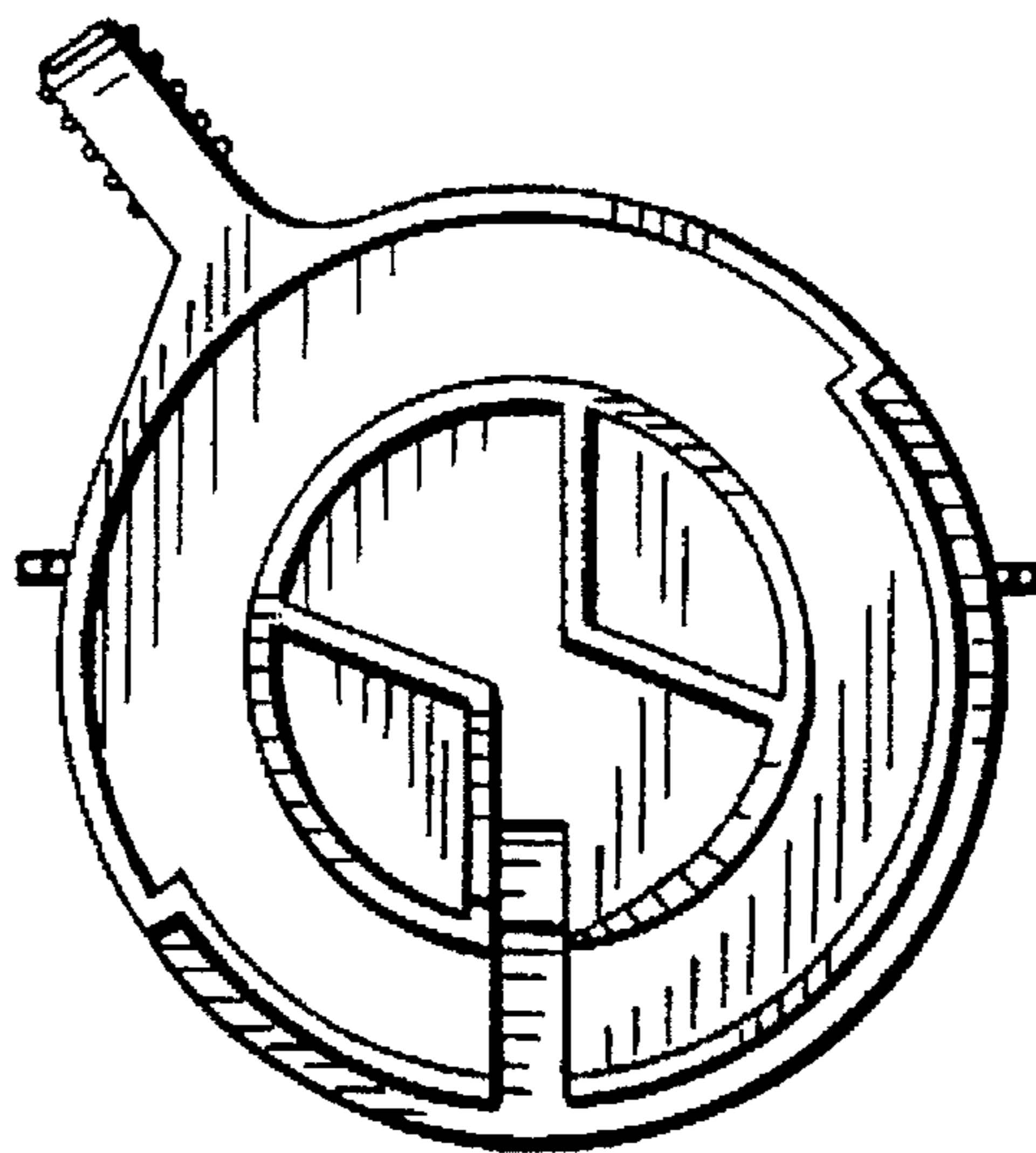


FIG. 7

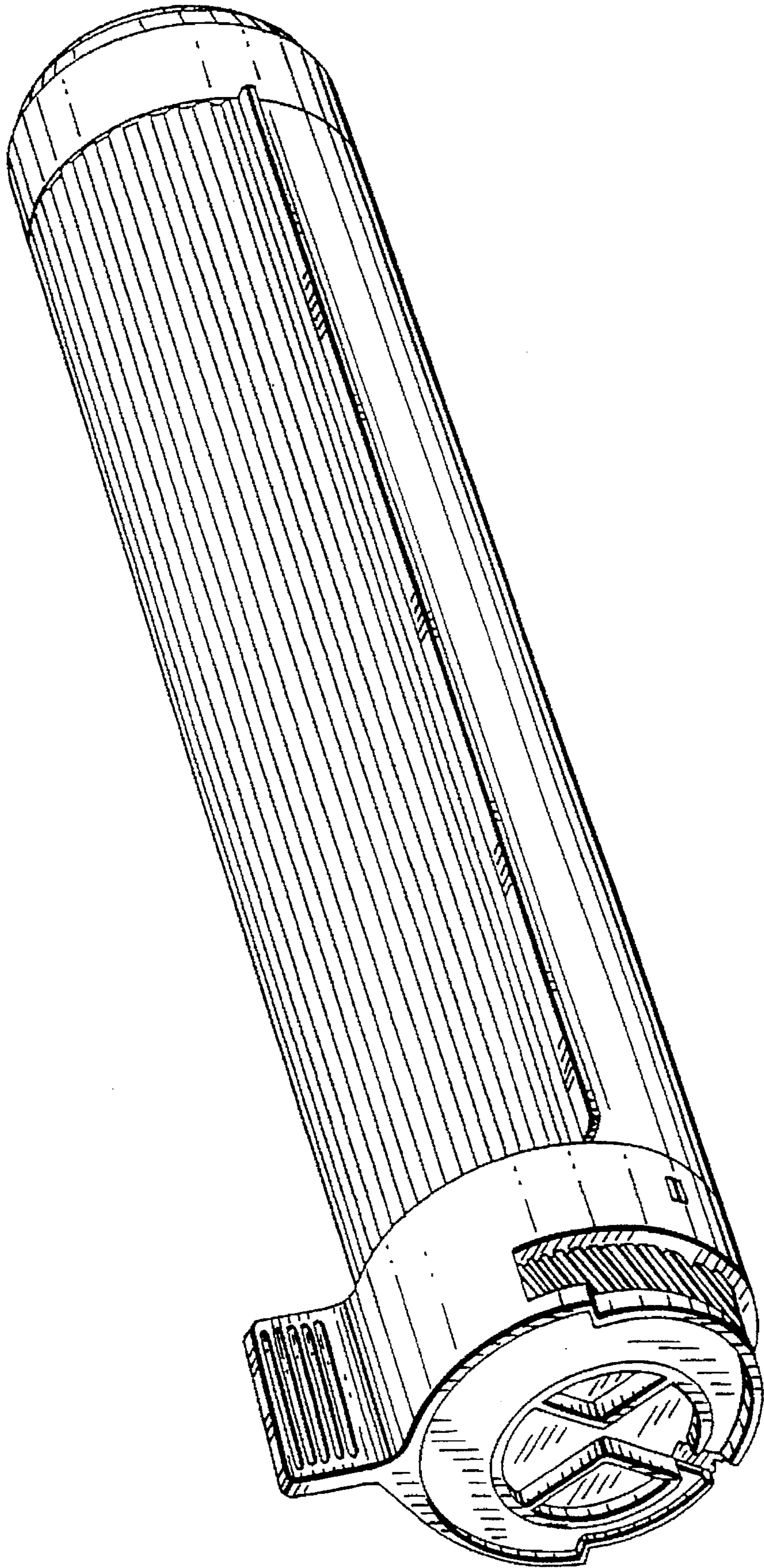


FIG. 8

