



US00D379632S

# United States Patent [19]

Hoshi et al.

[11] Patent Number: Des. 379,632

[45] Date of Patent: \*\*Jun. 3, 1997

[54] CAMERA

[75] Inventors: Tomohiro Hoshi, Machida; Tadasu Otani, Yokohama, both of Japan

[73] Assignee: Canon Kabushiki Kaisha, Tokyo, Japan

[\*\*] Term: 14 Years

[21] Appl. No.: 41,714

[22] Filed: Jul. 24, 1995

### [30] Foreign Application Priority Data

Jan. 27, 1995 [JP] Japan ..... 7-1791

[51] LOC (6) Cl. .... 16-01

[52] U.S. Cl. .... D16/209; D16/218

[58] Field of Search ..... D16/200-205, D16/208, 209, 216-218; 354/126, 149.11, 202, 288

### [56] References Cited

#### U.S. PATENT DOCUMENTS

D. 323,337 1/1992 Moro et al. .... D16/209

- D. 326,466 5/1992 Yu ..... D16/209
- D. 353,610 12/1994 Akabane et al. .... D16/209
- D. 359,501 6/1995 Hamamura ..... D16/209
- D. 359,747 6/1995 Furuno et al. .... D16/209
- D. 369,372 4/1996 Ishikawa et al. .... D16/218

Primary Examiner—Prabhakar G. Deshmukh  
Assistant Examiner—Adir Aronovich  
Attorney, Agent, or Firm—Fitzpatrick, Cella, Harper & Scinto

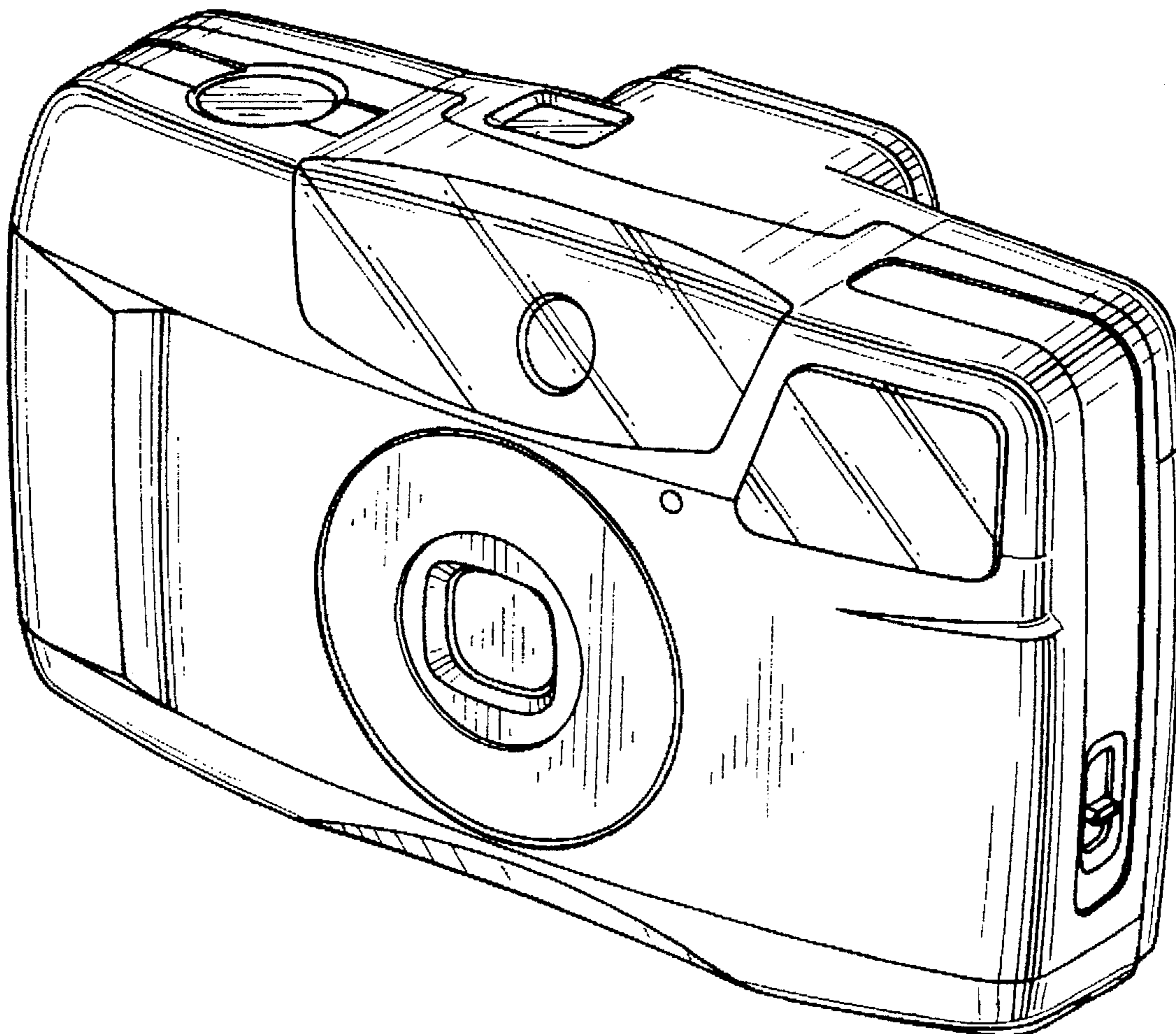
### [57] CLAIM

The ornamental design for a camera, as shown and described.

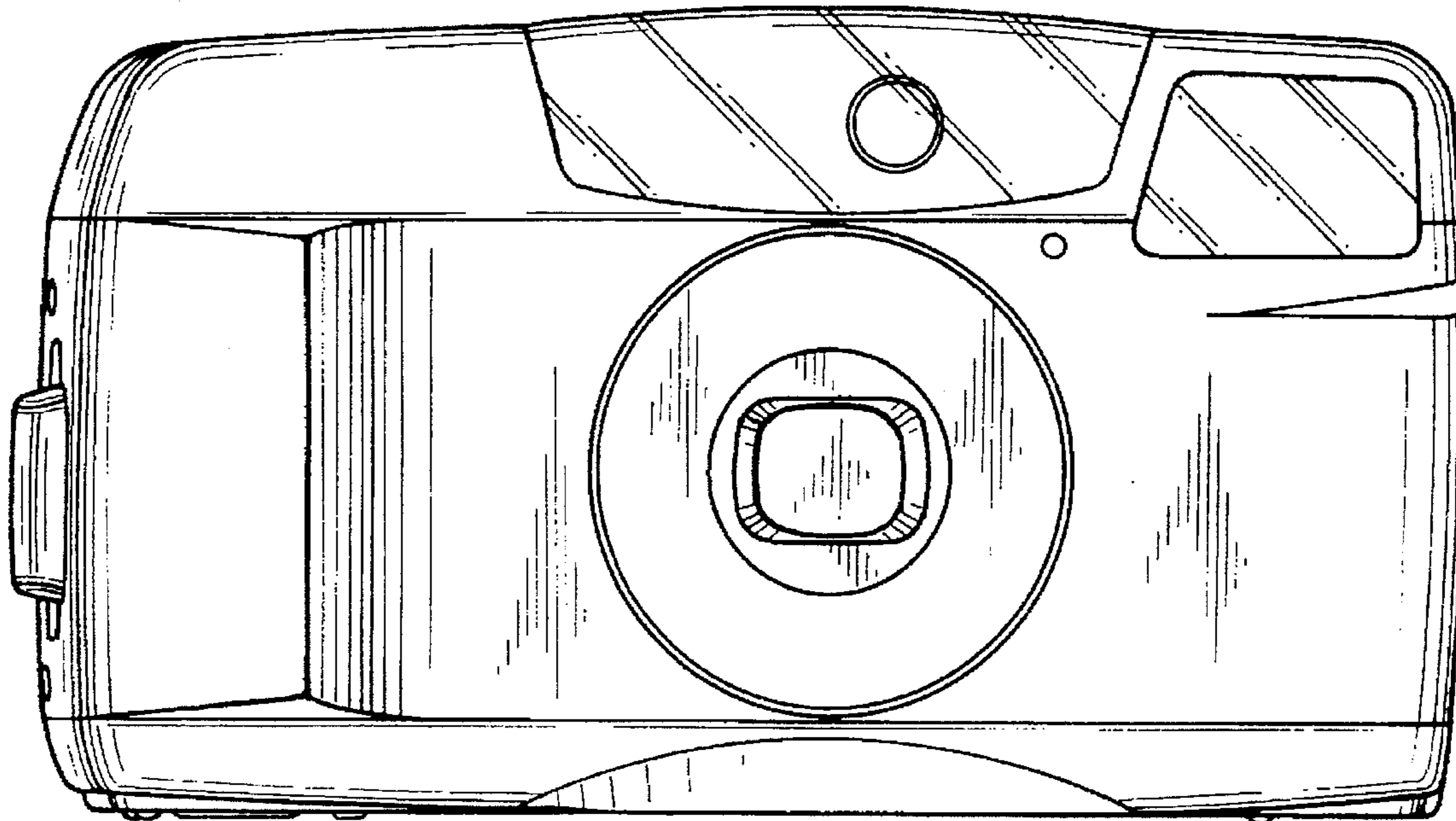
### DESCRIPTION

FIG. 1 is a front elevational view of a camera showing our new design;  
FIG. 2 is a rear elevational view thereof;  
FIG. 3 is a top plan view thereof;  
FIG. 4 is a bottom plan view thereof;  
FIG. 5 is a left side elevational view thereof;  
FIG. 6 is a right side elevational view thereof; and,  
FIG. 7 is a perspective view thereof.

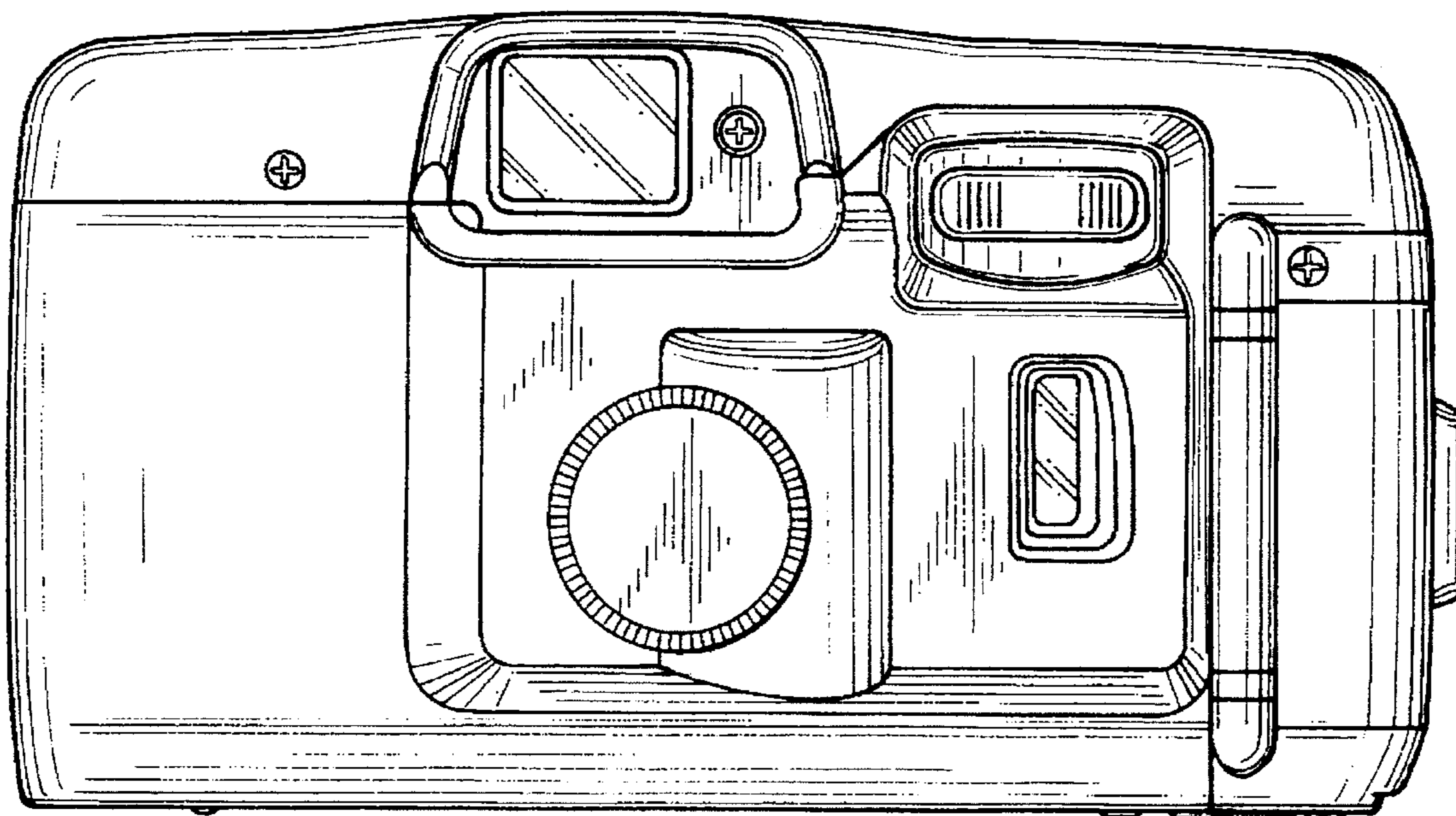
1 Claim, 3 Drawing Sheets



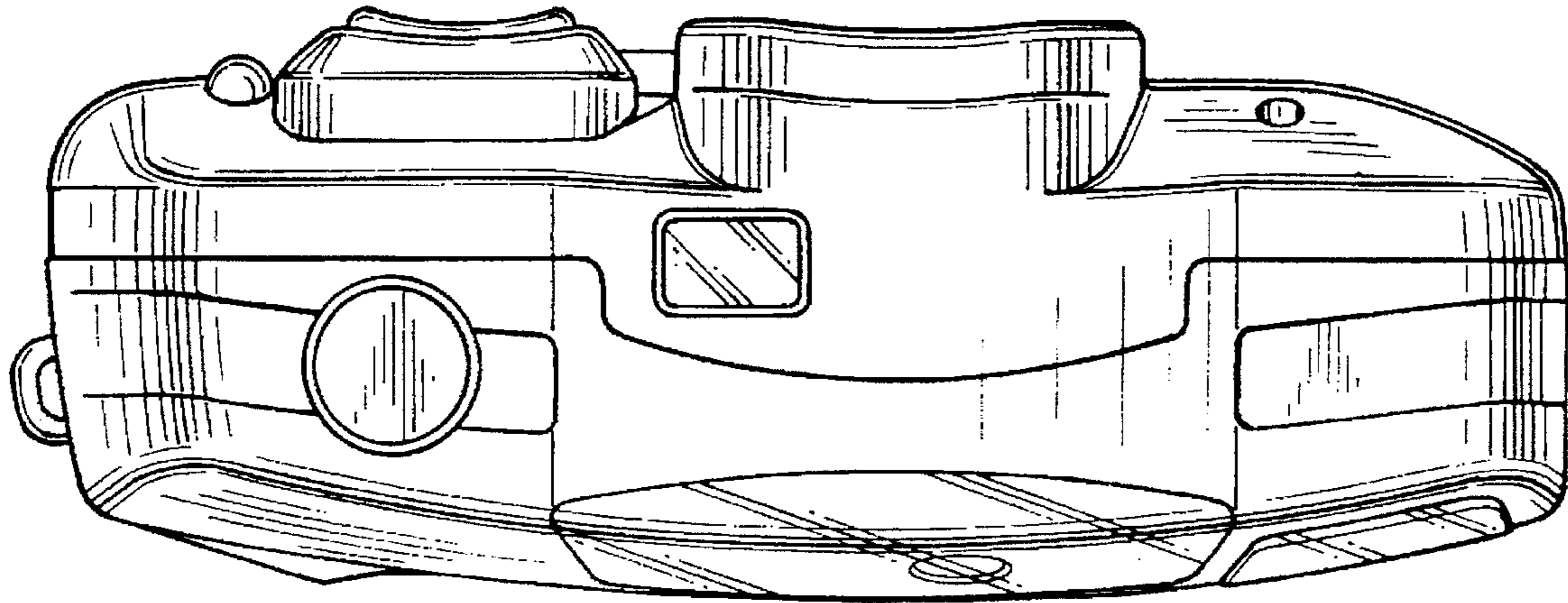
*FIG. 1*



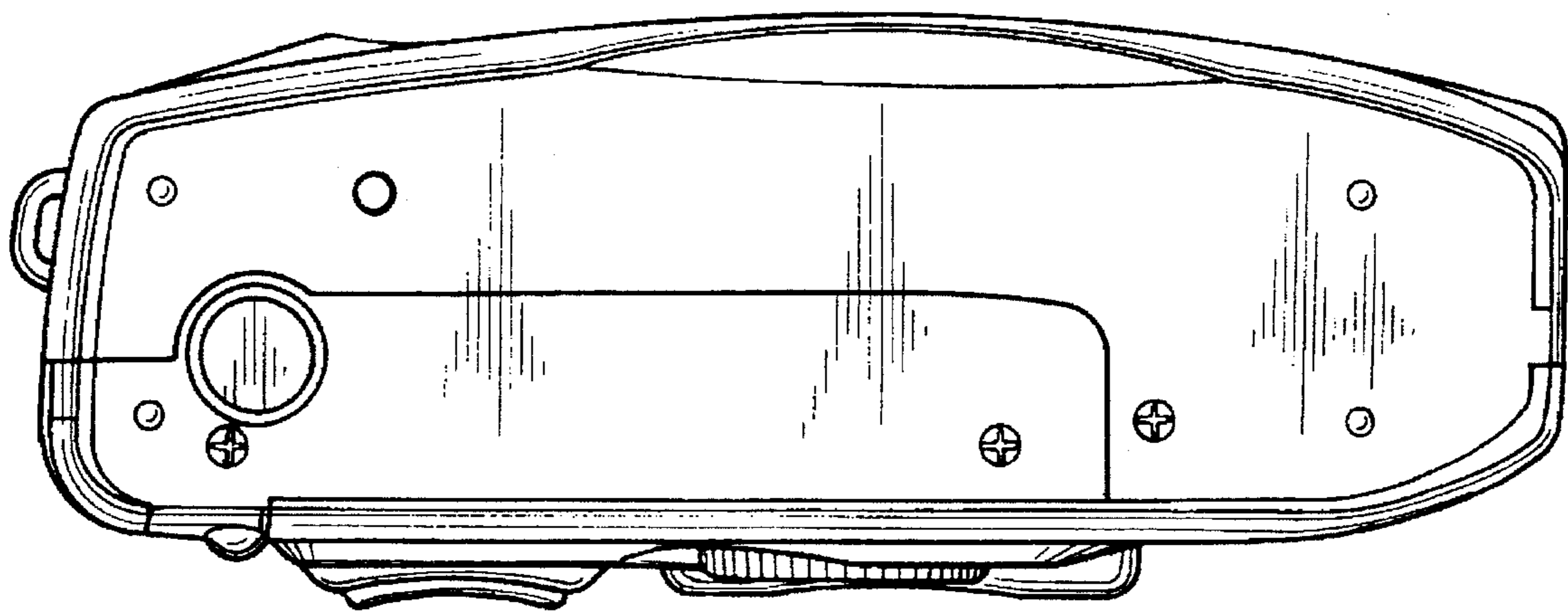
*FIG. 2*



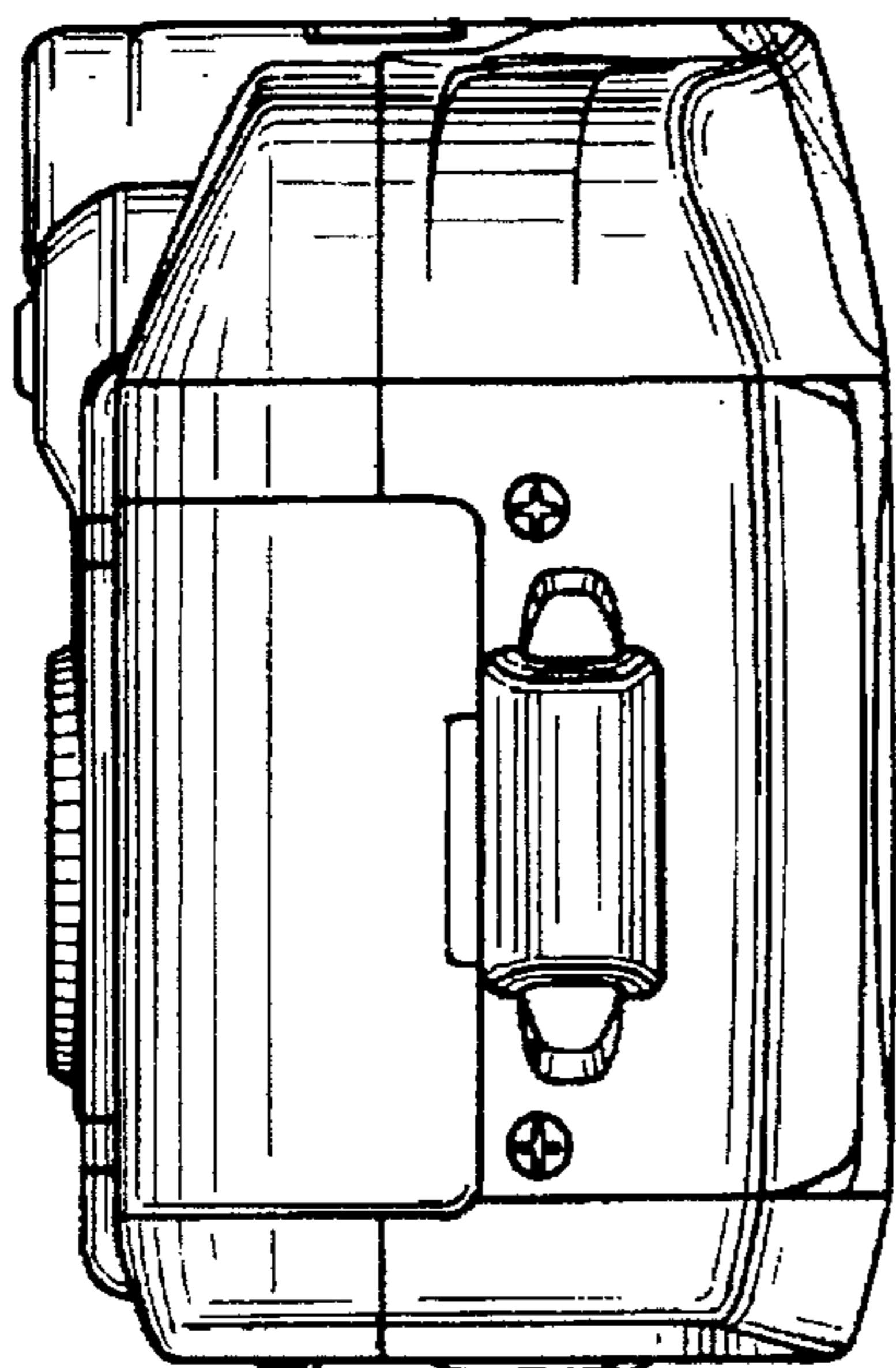
*FIG. 3*



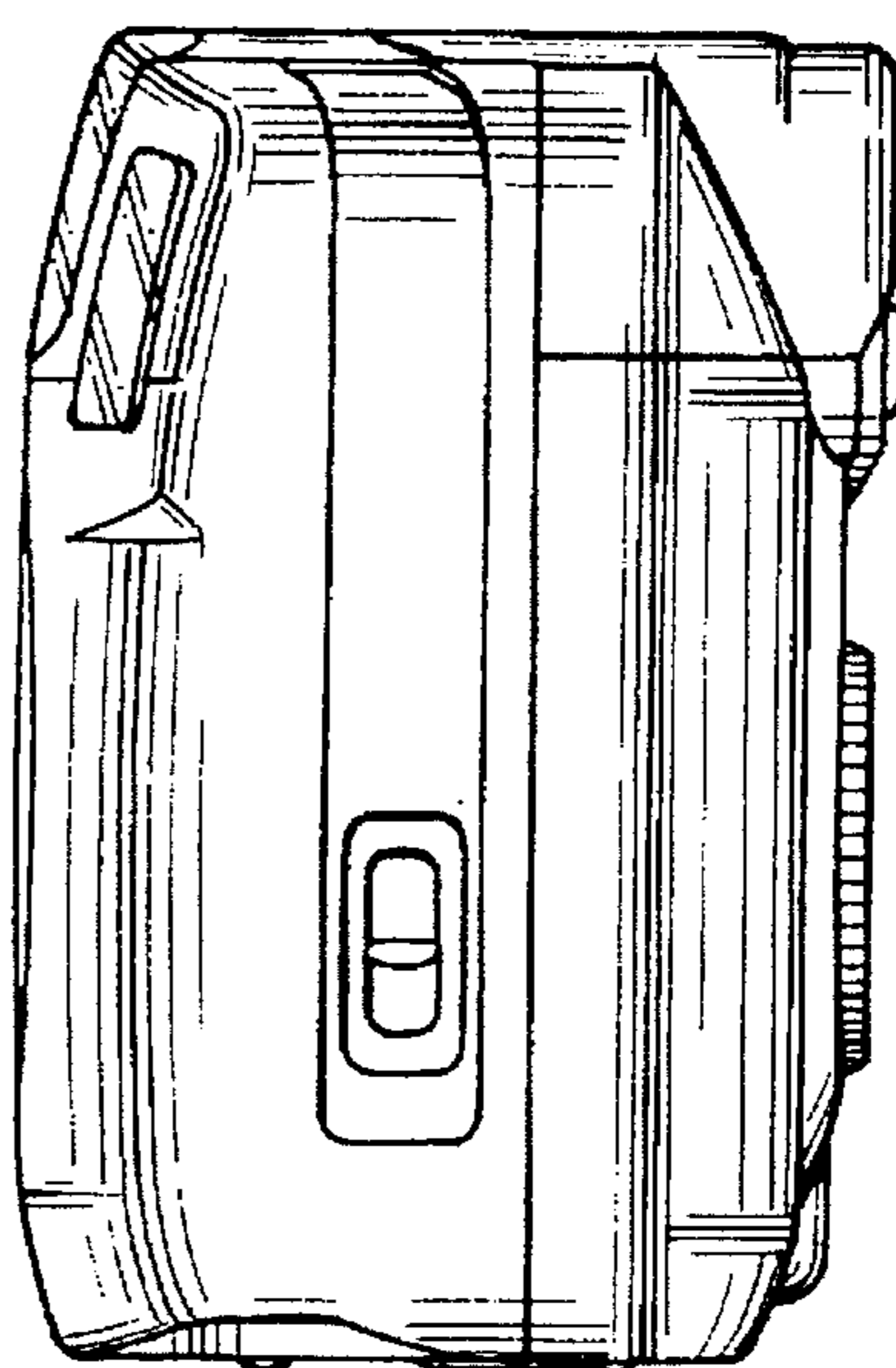
*FIG. 4*



*FIG. 5*



*FIG. 6*



*FIG. 7*

