



US00D379631S

# United States Patent [19] Odom

[11] Patent Number: **Des. 379,631**

[45] Date of Patent: **\*\*Jun. 3, 1997**

[54] **FREEZER**

[76] Inventor: **Charlotte M. Odom, Rt. 3 Box 264C,  
Donalsonville, Ga. 31745**

[\*\*] Term: **14 Years**

[21] Appl. No.: **42,505**

[22] Filed: **Aug. 11, 1995**

[51] LOC (6) Cl. .... **15-07**

[52] U.S. Cl. .... **D15/86; D6/446**

[58] Field of Search ..... **D15/79-86; D6/436,  
D6/445, 446, 448, 470-472; 312/114, 116,  
117, 119, 138.1, 139.2, 234.1, 236, 330.1,  
440-408; 62/246-254, 293, 444, 445, 457.1-457.9**

[56] **References Cited**

**U.S. PATENT DOCUMENTS**

D. 138,391	8/1944	Baird	.....	D15/86
D. 189,324	11/1960	Garth	.....	D15/86
D. 239,750	5/1976	Sgombick	.....	D6/446
D. 275,626	9/1984	Moore	.....	D6/470
D. 328,824	8/1992	Bellini et al.	.....	D6/446
D. 333,567	3/1993	Dziewa	.....	D6/446

D. 339,253	9/1993	Garnick et al.	.....	D6/446
D. 341,144	11/1993	Rice	.....	D15/86
2,482,174	9/1949	Hake	.....	312/330.1
3,052,508	9/1962	Fink	.....	312/404
4,317,607	3/1982	Gomolka	.....	312/236

*Primary Examiner*—Sandra L. Morris  
*Attorney, Agent, or Firm*—James A. Hudak

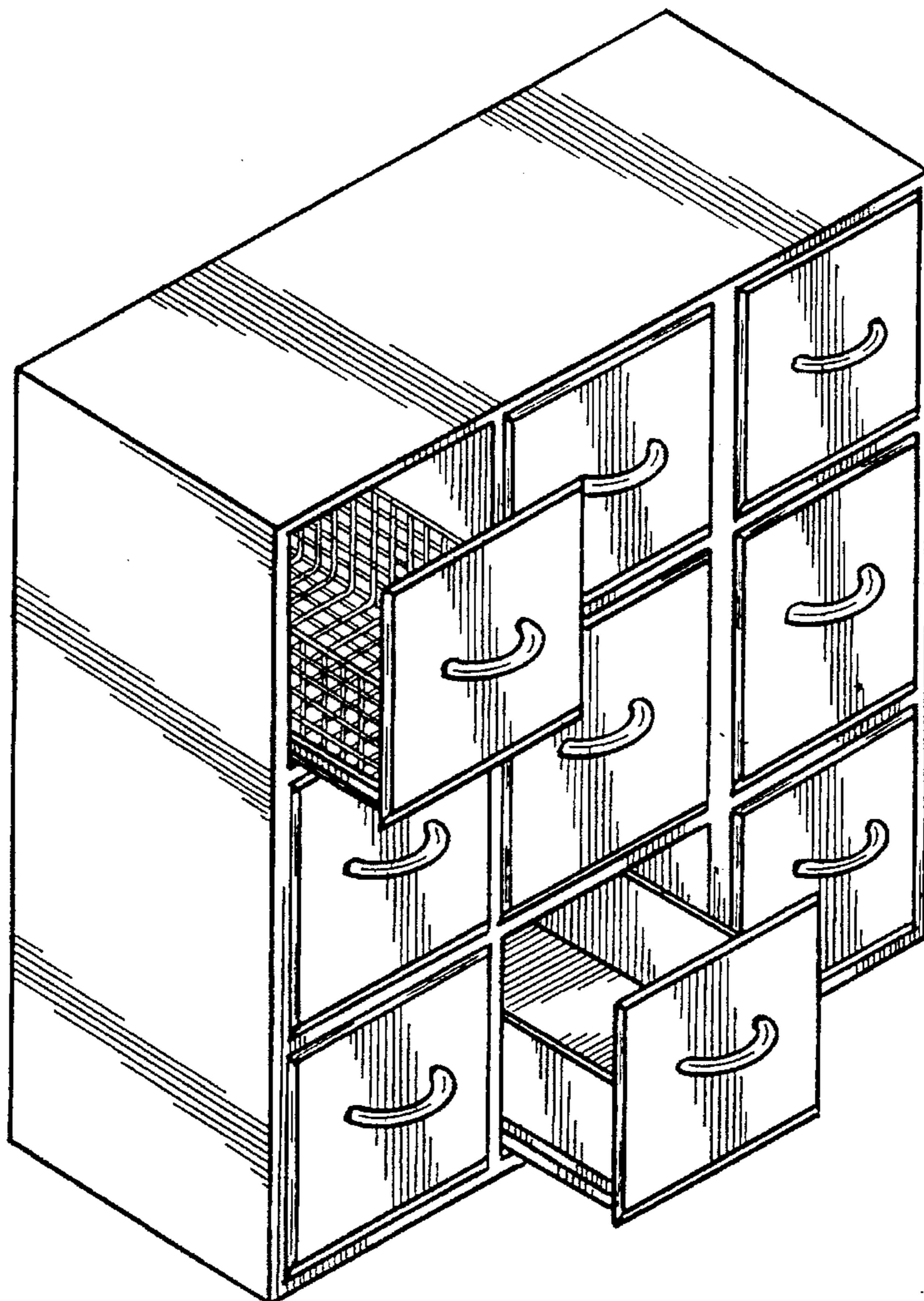
[57] **CLAIM**

The ornamental design for a freezer, as shown and described.

**DESCRIPTION**

FIG. 1 is a perspective view of the freezer, showing my new design, with two of the drawers shown in a partially opened position;  
FIG. 2 is a front elevational view thereof;  
FIG. 3 is a rear elevational view thereof;  
FIG. 4 is a right side elevational view thereof, the left side elevational view being a mirror image of the view shown in this Figure; and,  
FIG. 5 is a top plan view thereof, the bottom plan view being a mirror image of the view shown in this Figure.

**1 Claim, 3 Drawing Sheets**



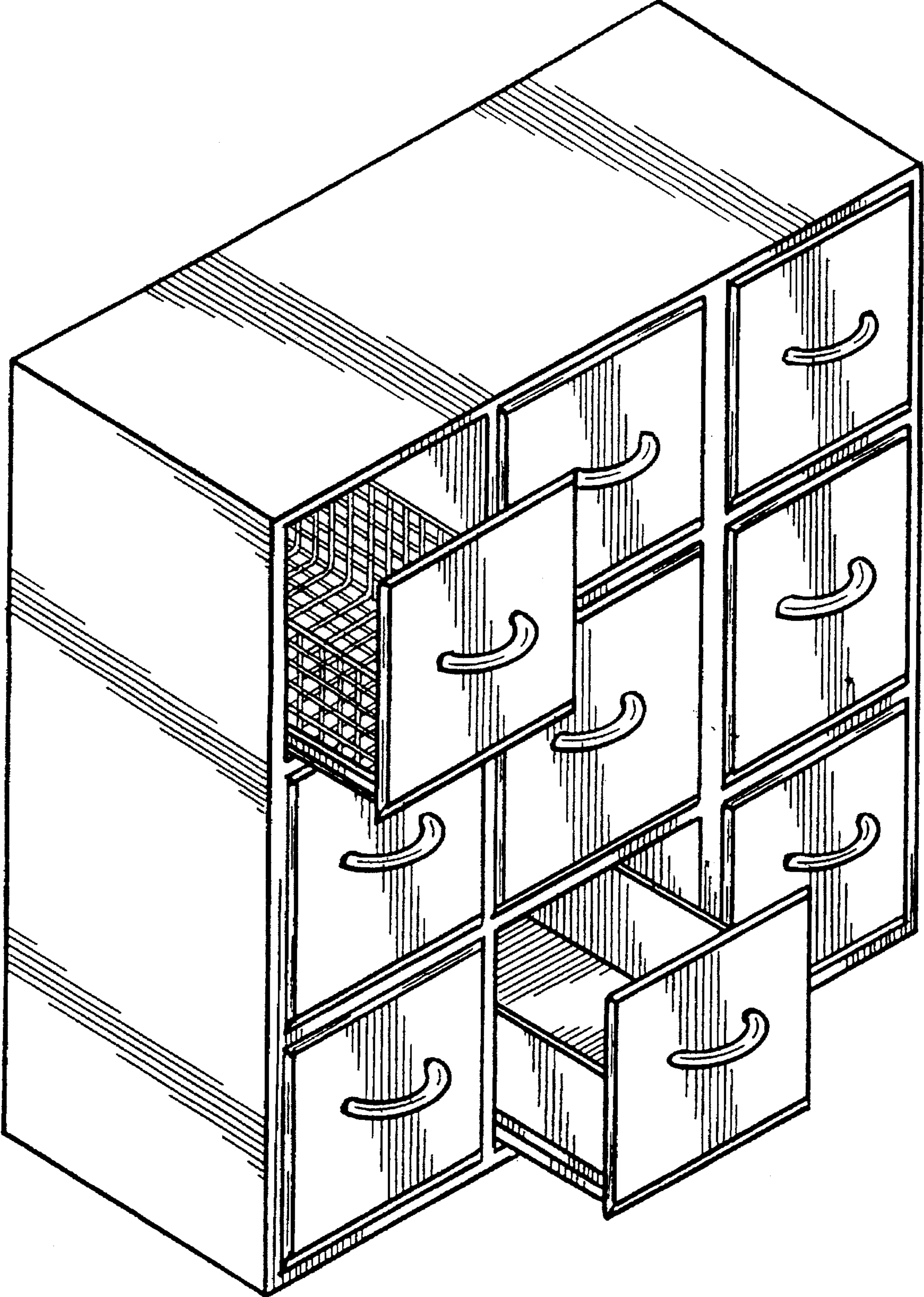


FIG. 1.

FIG. 2.

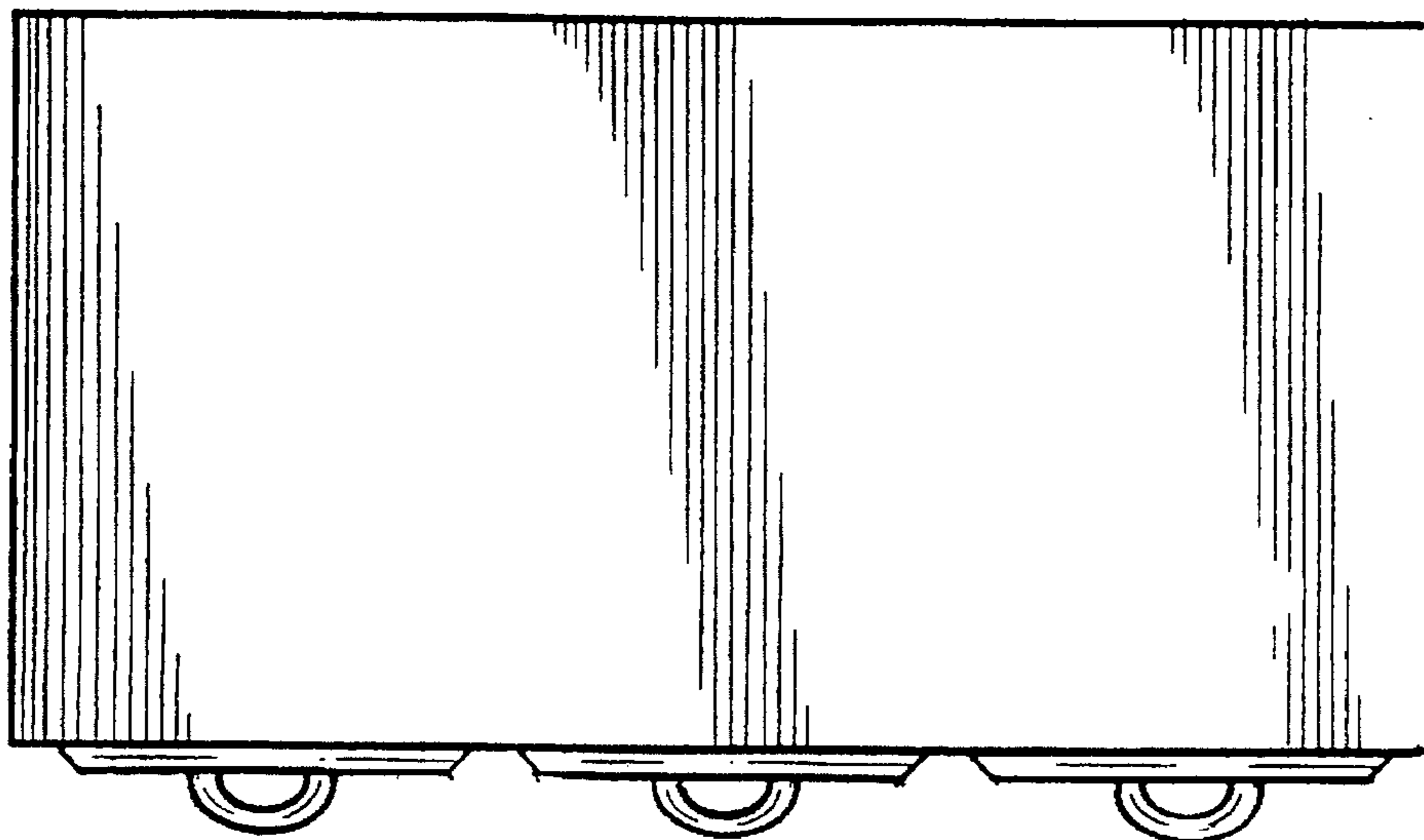
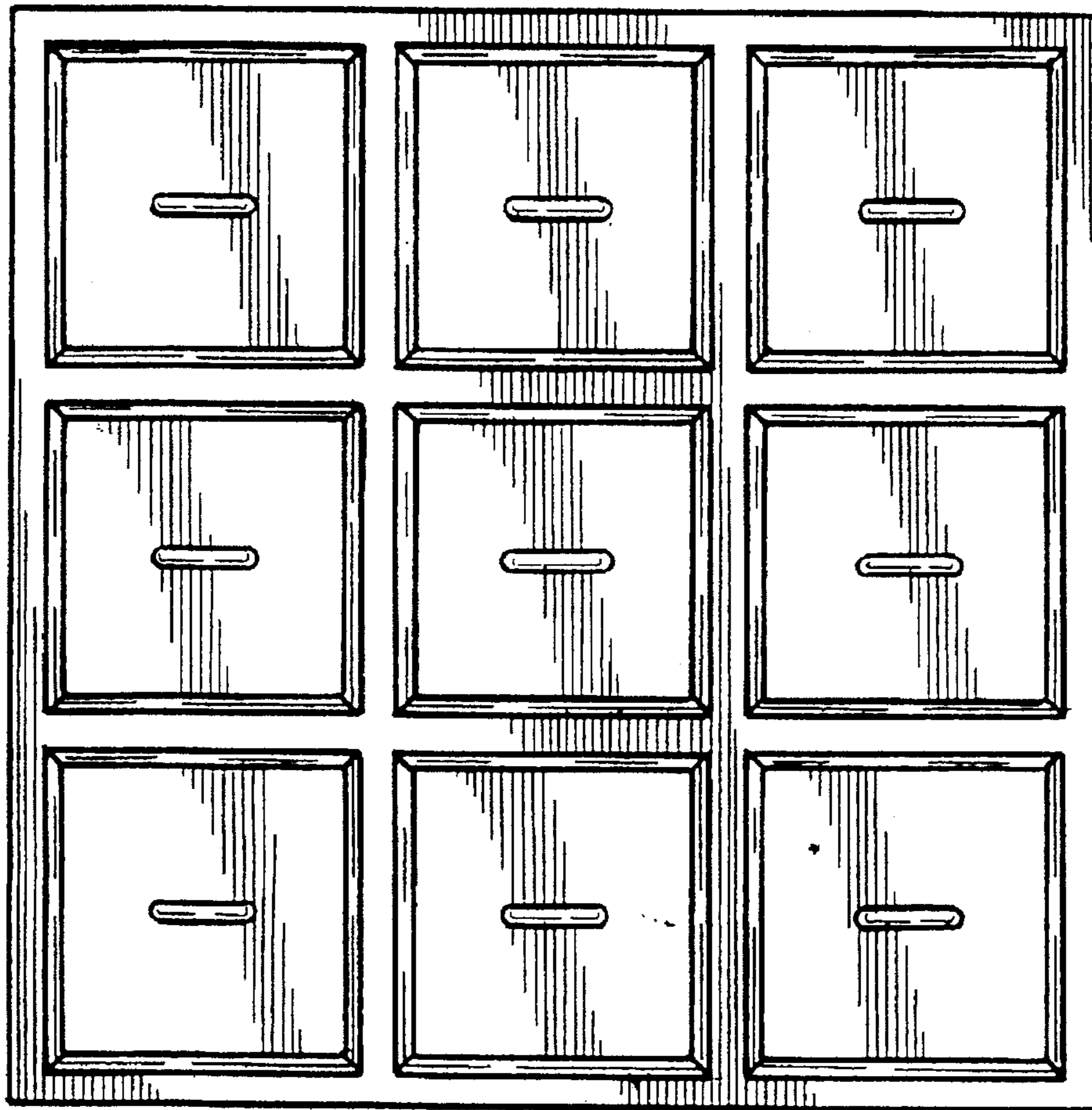


FIG. 5.

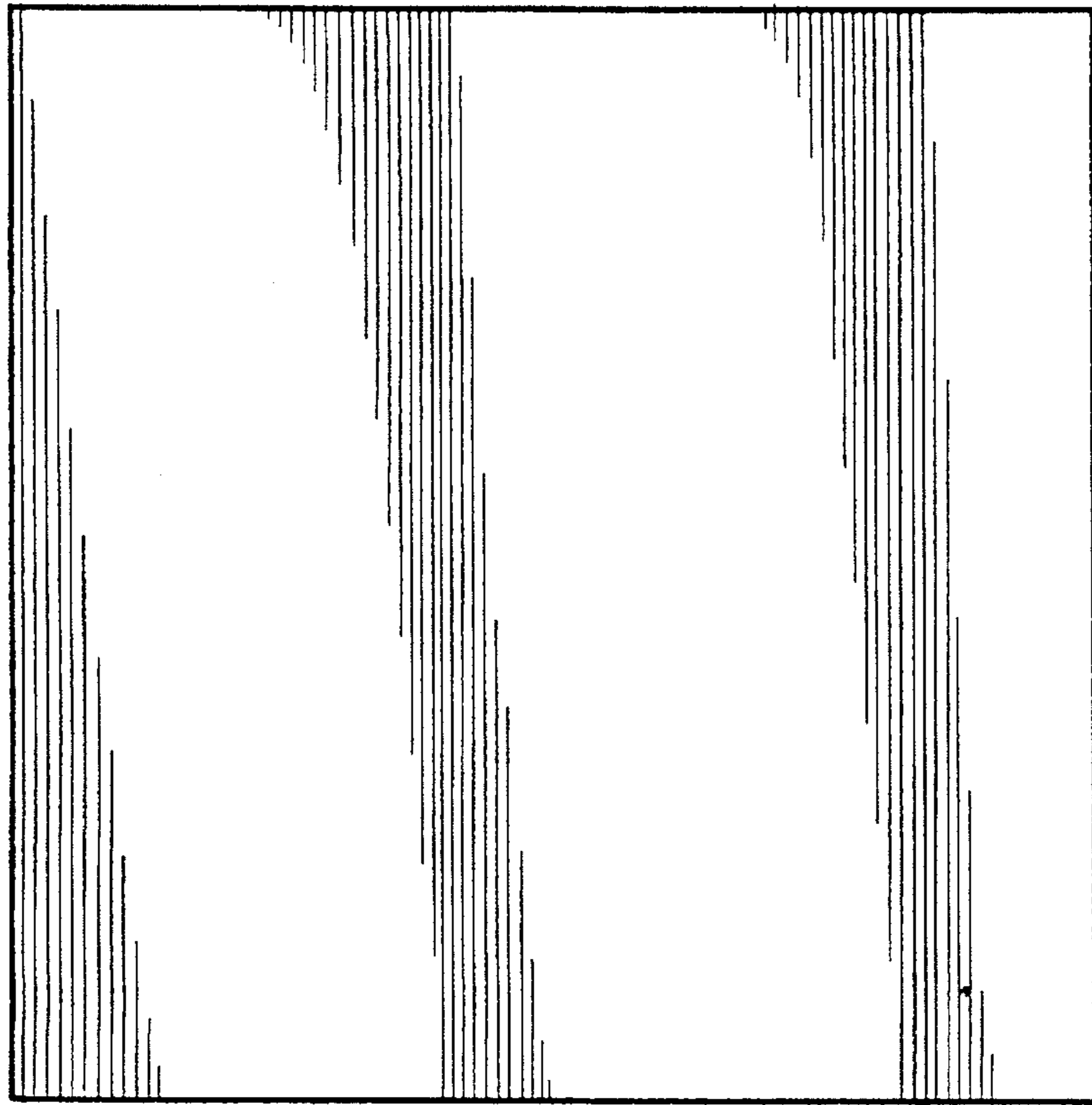


FIG. 3.

FIG. 4.

