



US00D379630S

United States Patent [19]
Brockway

[11] **Patent Number: Des. 379,630**

[45] **Date of Patent: **Jun. 3, 1997**

[54] **COMPACTION WHEEL CLEAT**

D. 352,044 11/1994 Hahn D15/29
3,823,983 7/1974 Peterson 404/122 X

[75] **Inventor: Robert J. Brockway, Caledonia, Wis.**

Primary Examiner—Antoine Duval Davis

[73] **Assignee: Terra Compactor Wheel Corp., Sheboygan, Wis.**

Attorney, Agent, or Firm—Killworth, Gottman, Hagan & Schaeff

[**] **Term: 14 Years**

[57] **CLAIM**

[21] **Appl. No.: 29,295**

The ornamental design for a compaction wheel cleat, as shown and described.

[22] **Filed: Oct. 3, 1994**

DESCRIPTION

Related U.S. Application Data

[63] Continuation of Ser. No. 52,120, Apr. 23, 1993, Pat. No. 5,433,451.

FIG. 1 is a front perspective view setting forth one embodiment of the compaction wheel cleat, the rear view forming an identical image of the front view;

[51] **LOC (6) Cl. 15-04**

FIG. 2 is a top view thereof;

[52] **U.S. Cl. D15/29**

FIG. 3 is a front end view thereof, the rear view forming an identical image of the front view;

[58] **Field of Search D15/29, 123, 138, D15/139; 404/121**

FIG. 4 is a right side view thereof, the left side view forming an identical image of the right side;

[56] **References Cited**

FIG. 5 is a bottom view thereof; and,

FIG. 6 is a right side bottom perspective view thereof.

U.S. PATENT DOCUMENTS

D. 339,593 9/1993 Johansson D15/29

1 Claim, 3 Drawing Sheets

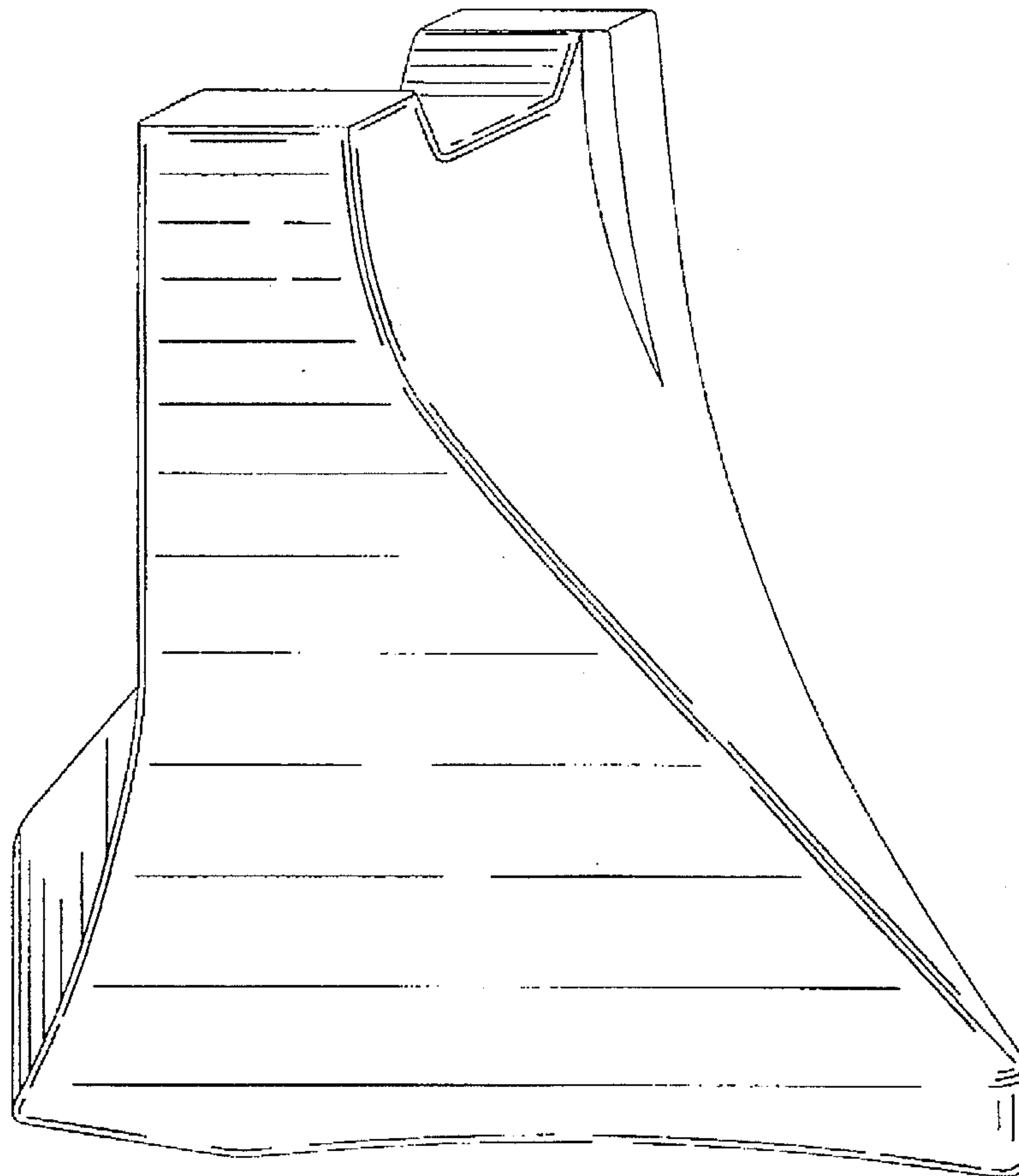


FIG. 1

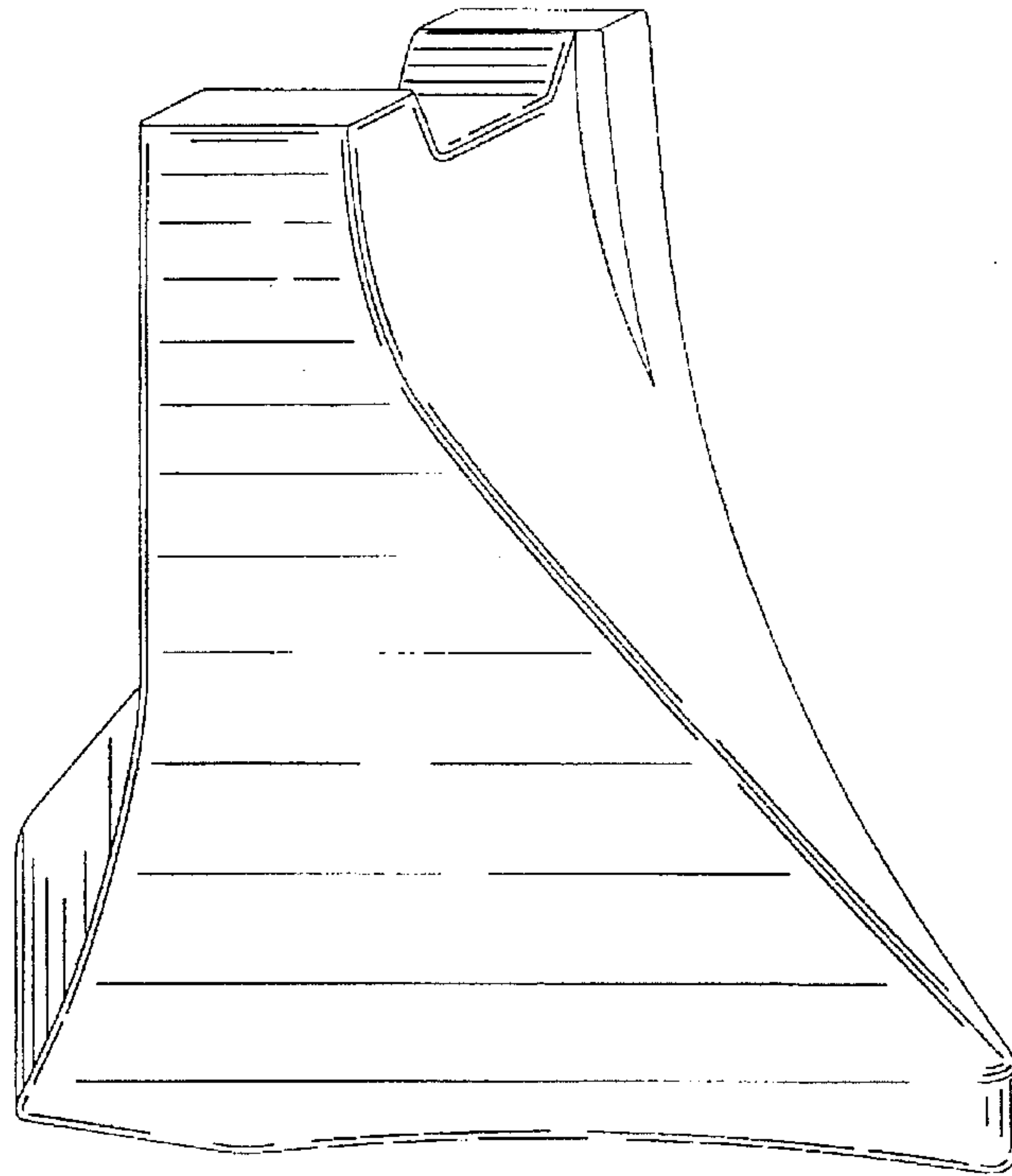


FIG. 2

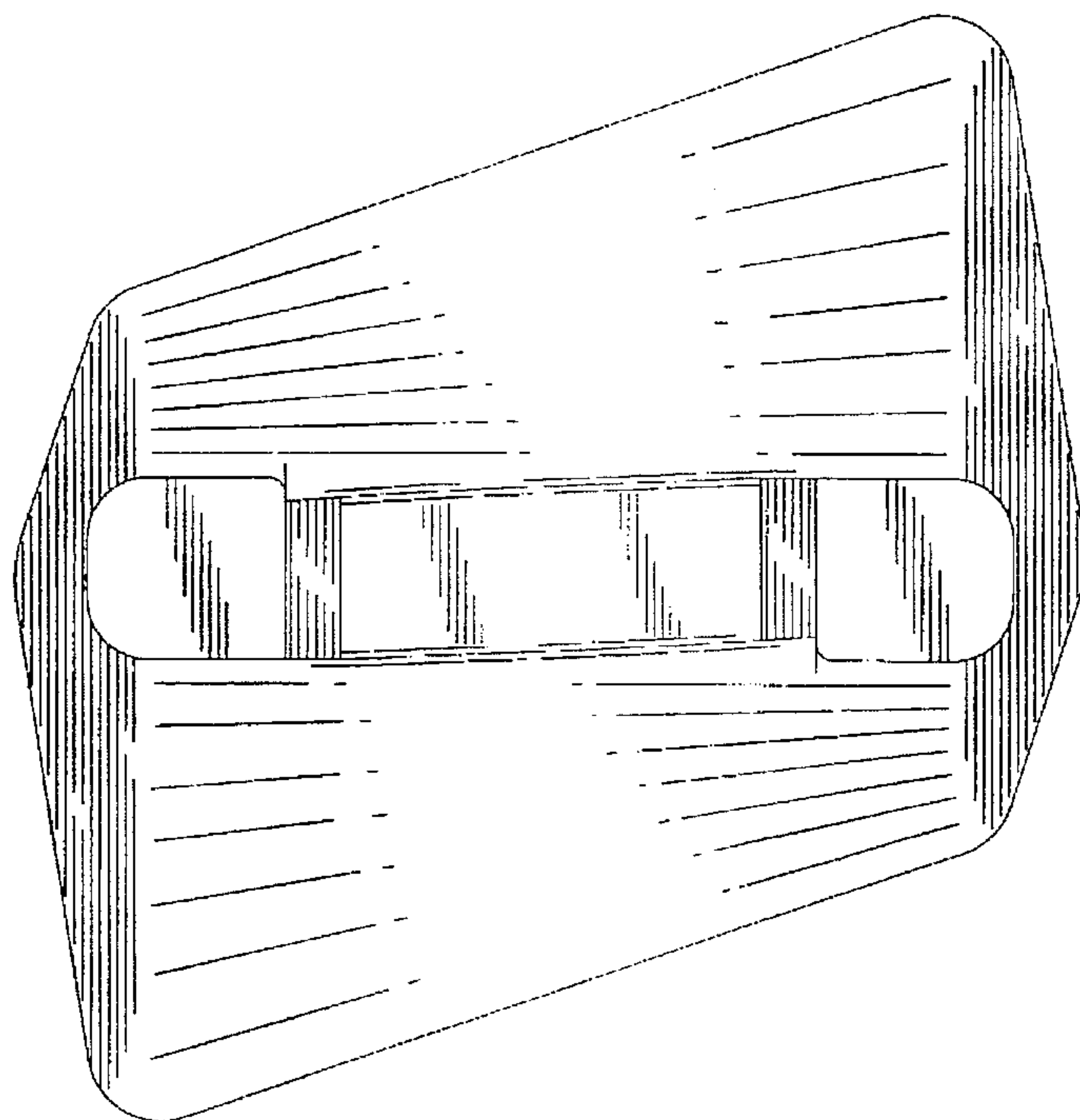


FIG. 3

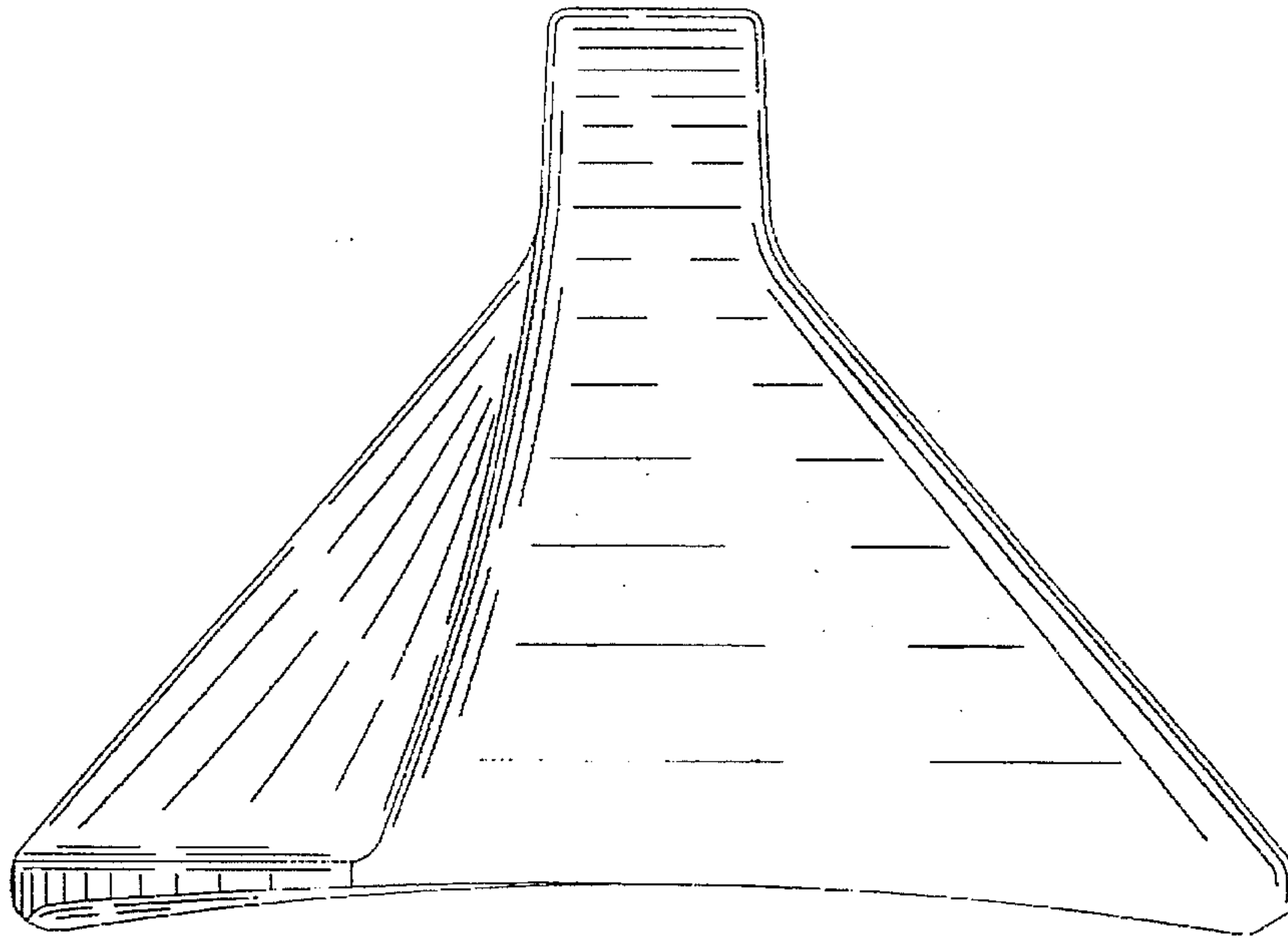


FIG. 4

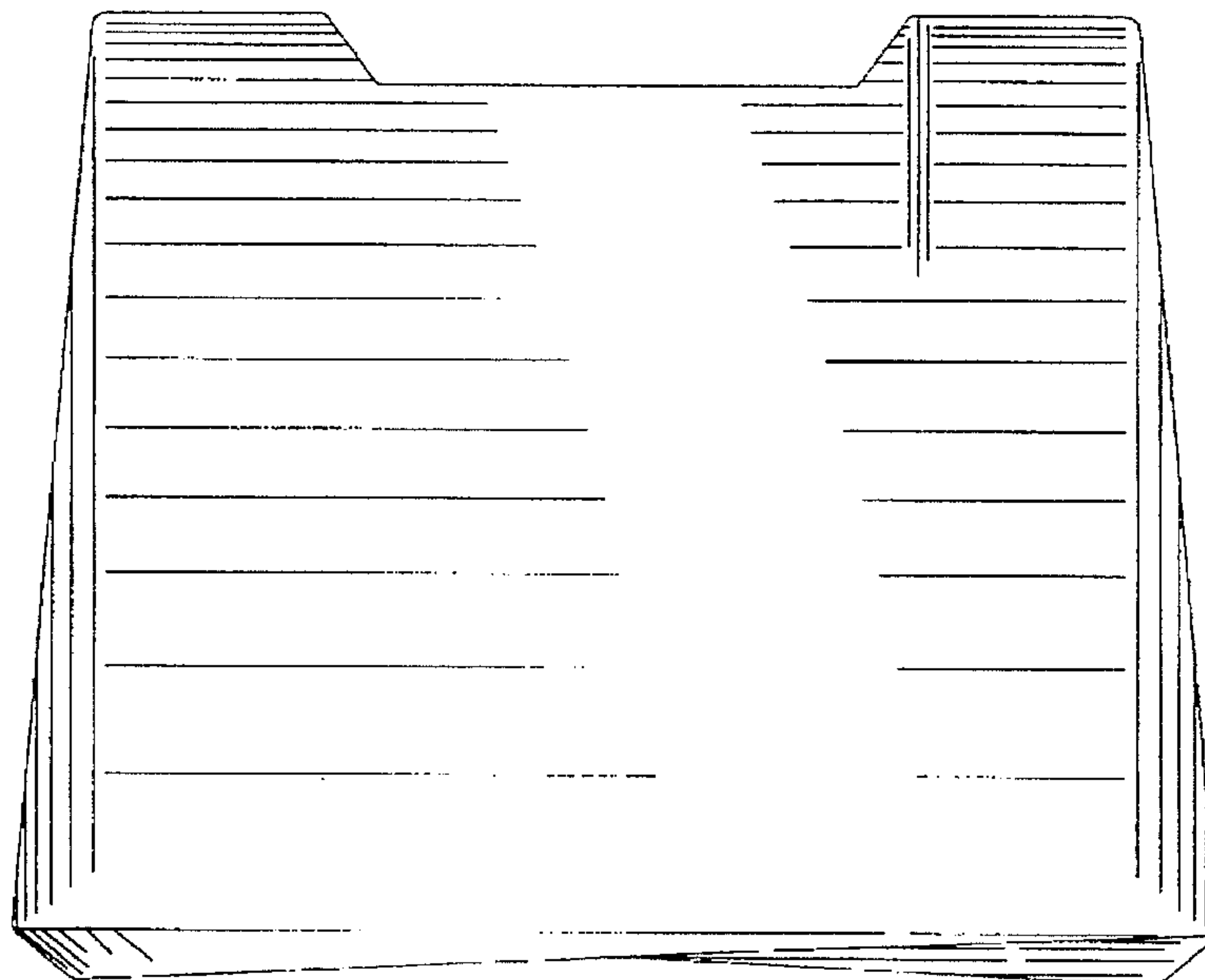


FIG. 5

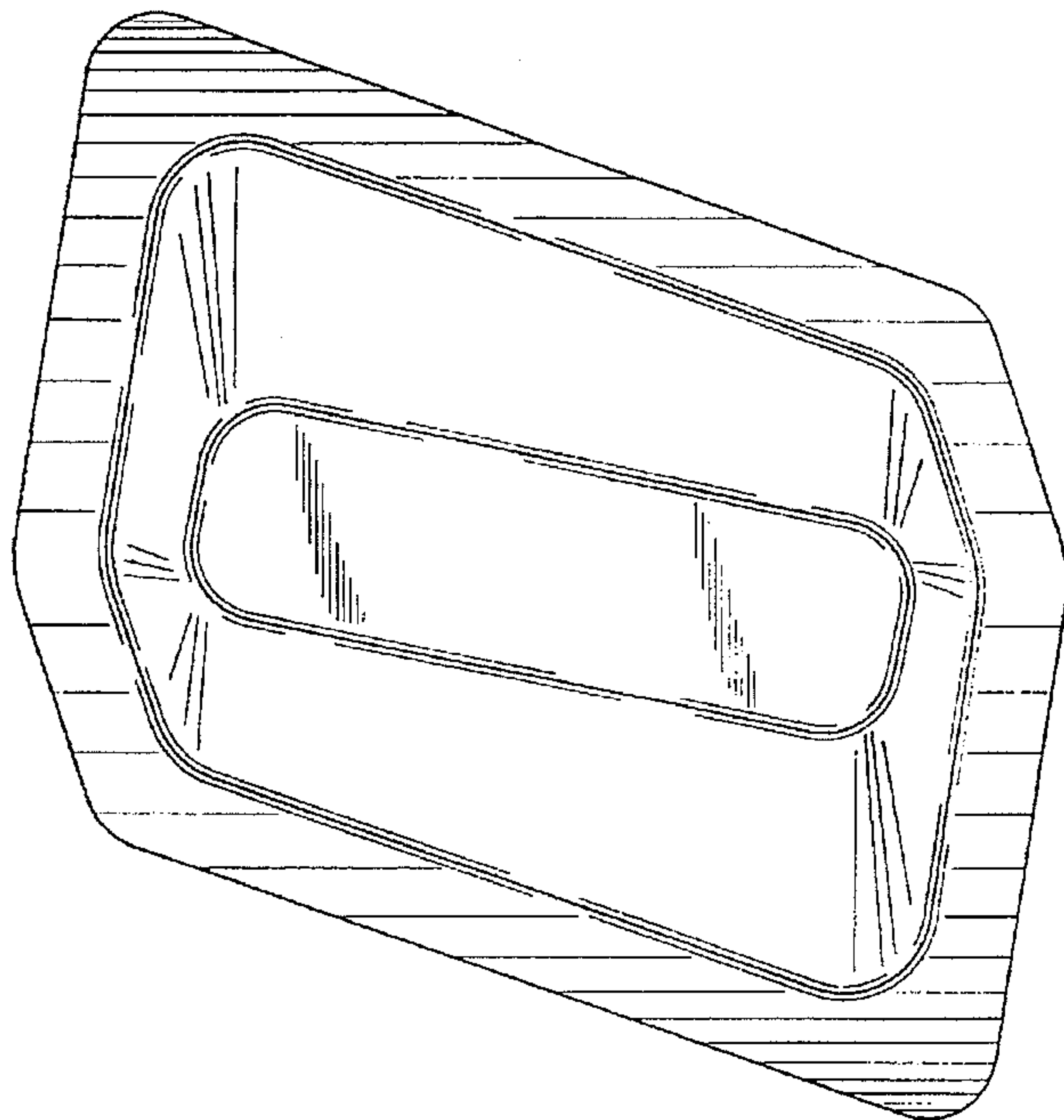


FIG. 6

