



US00D379627S

**United States Patent** [19]  
**Takahashi**

[11] **Patent Number:** **Des. 379,627**  
[45] **Date of Patent:** **\*\*Jun. 3, 1997**

[54] **CLOCK RADIO**

[75] **Inventor:** **Hitoshi Takahashi**, Tokyo, Japan

[73] **Assignee:** **Sony Corporation**, Tokyo, Japan

[\*\*] **Term:** **14 Years**

[21] **Appl. No.:** **43,196**

[22] **Filed:** **Aug. 29, 1995**

[51] **LOC (6) Cl.** ..... **14-01**

[52] **U.S. Cl.** ..... **D14/171; D14/188**

[58] **Field of Search** ..... **D10/1, 2, 15; D14/160-163,**  
**D14/169-171, 192-198; 455/344-345,**  
**347**

[56] **References Cited**

**U.S. PATENT DOCUMENTS**

D. 101,980	11/1936	Breen	.....	D14/194
D. 148,192	12/1947	Simons	.....	D14/195
D. 165,507	12/1951	Budlong	.....	D14/198
D. 359,285	6/1995	Niblett	.....	D14/170

**OTHER PUBLICATIONS**

Hong Kong Enterprise, Oct. 1990, p. 965, Clock Radio (top left corner).

*Primary Examiner*—Sandra L. Morris  
*Assistant Examiner*—Nanda Bondade  
*Attorney, Agent, or Firm*—Foley & Lardner

[57] **CLAIM**

The ornamental design for a clock radio, as shown and described.

**DESCRIPTION**

FIG. 1 is a perspective view of a clock radio showing my new design;  
FIG. 2 is a top plan view thereof;  
FIG. 3 is a left side elevational view thereof;  
FIG. 4 is a front elevational view thereof;  
FIG. 5 is a right side elevational view thereof;  
FIG. 6 is a bottom plan view thereof; and,  
FIG. 7 is a rear elevational view thereof.

**1 Claim, 2 Drawing Sheets**

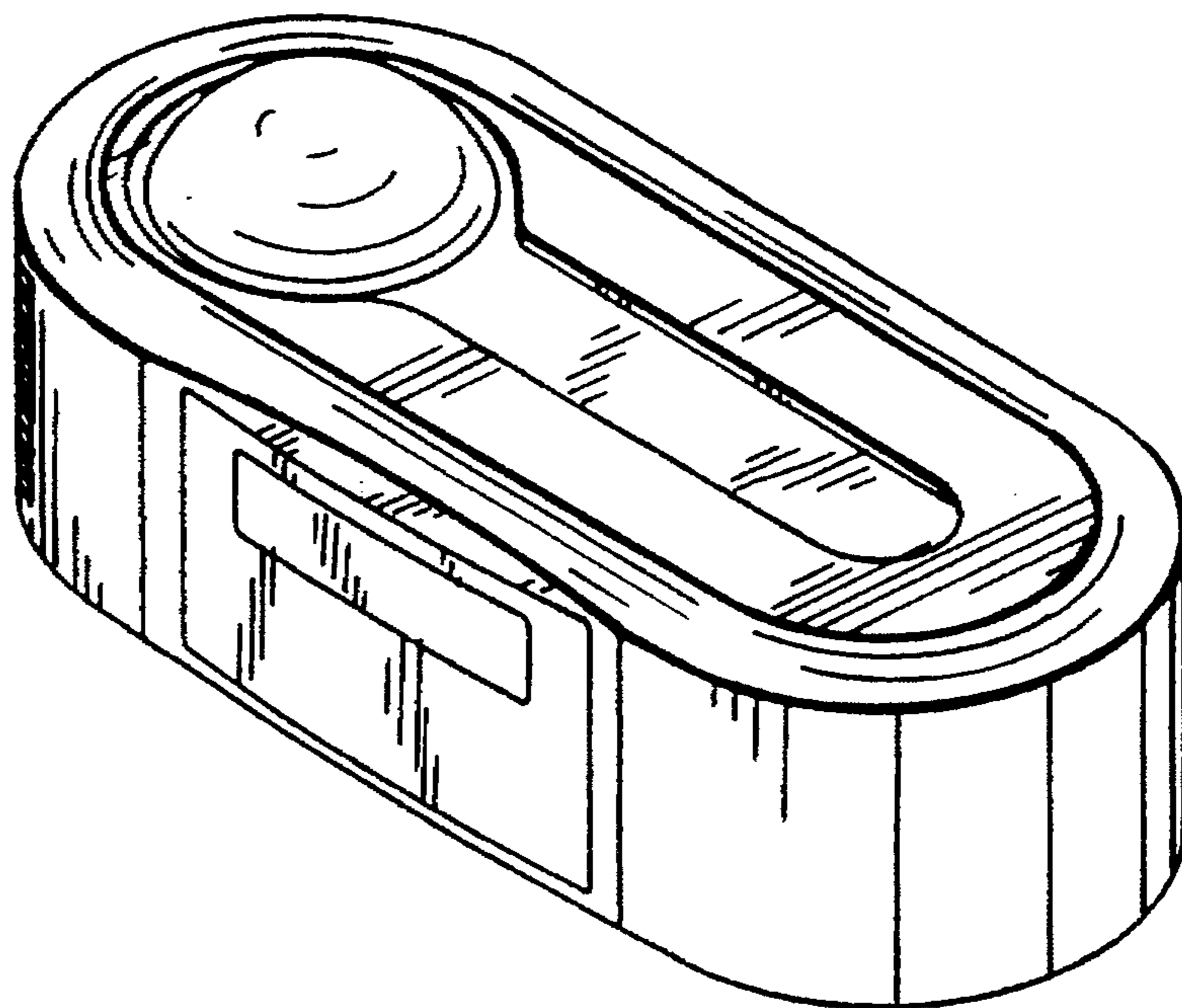


FIG. 1

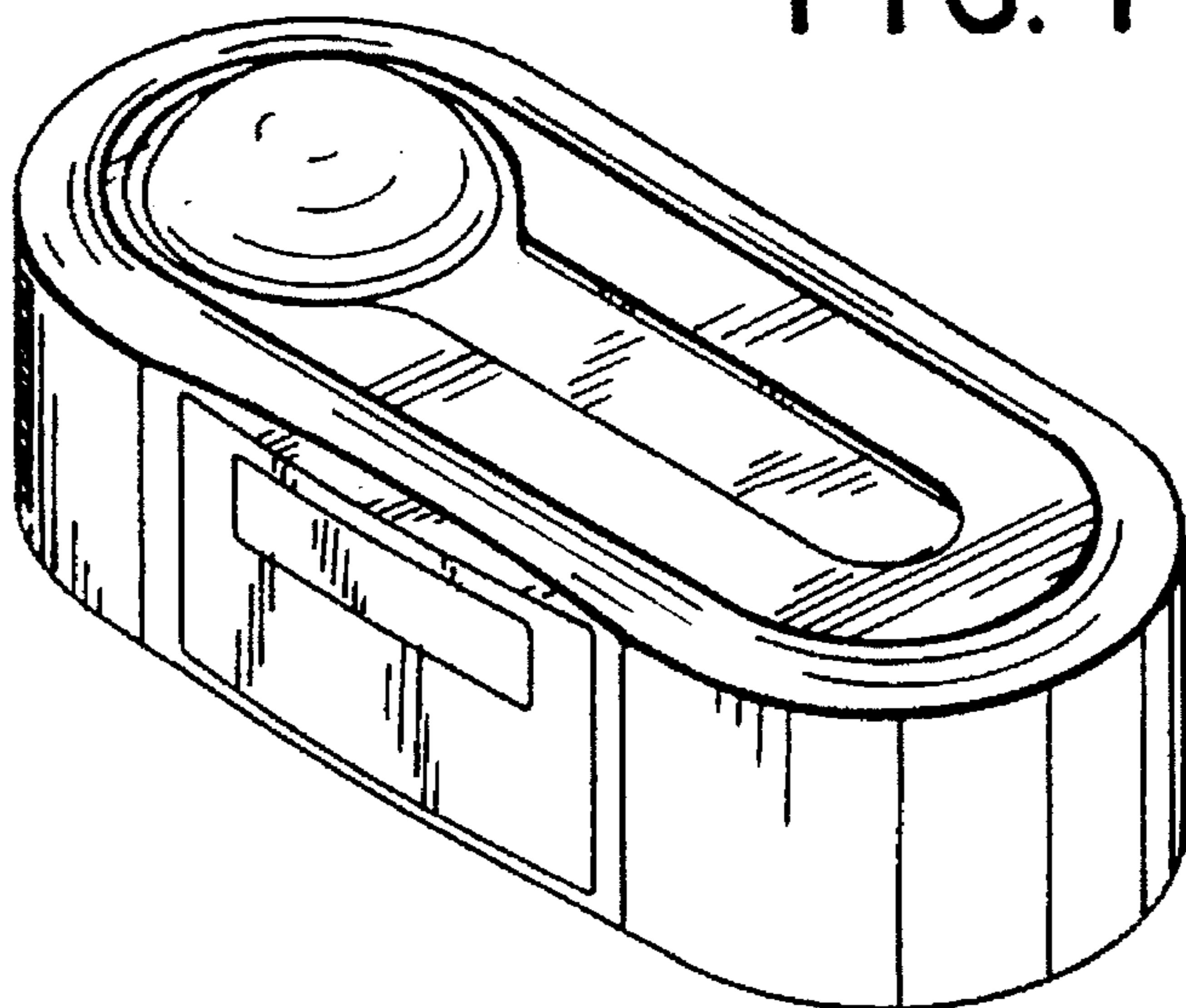


FIG. 2

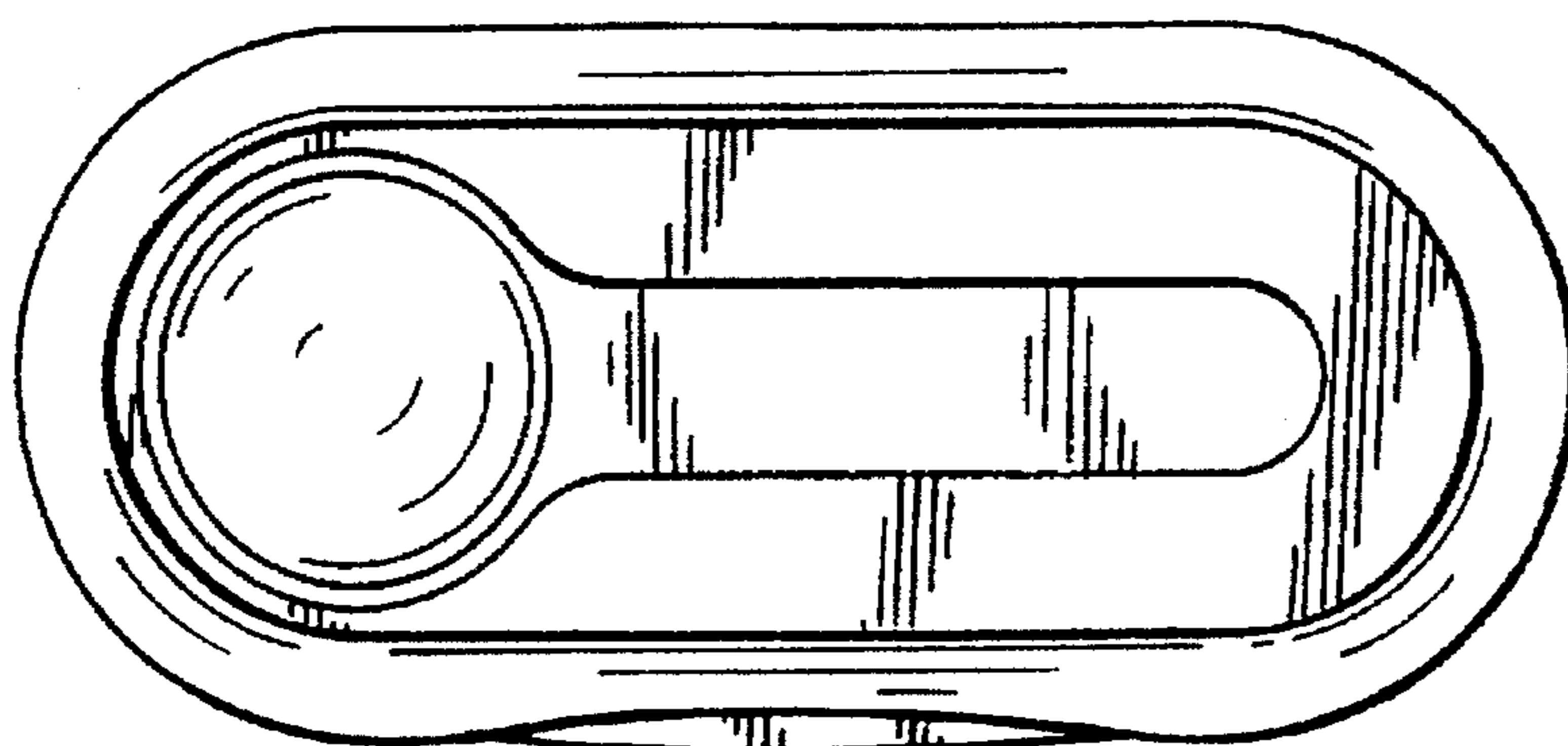


FIG. 3

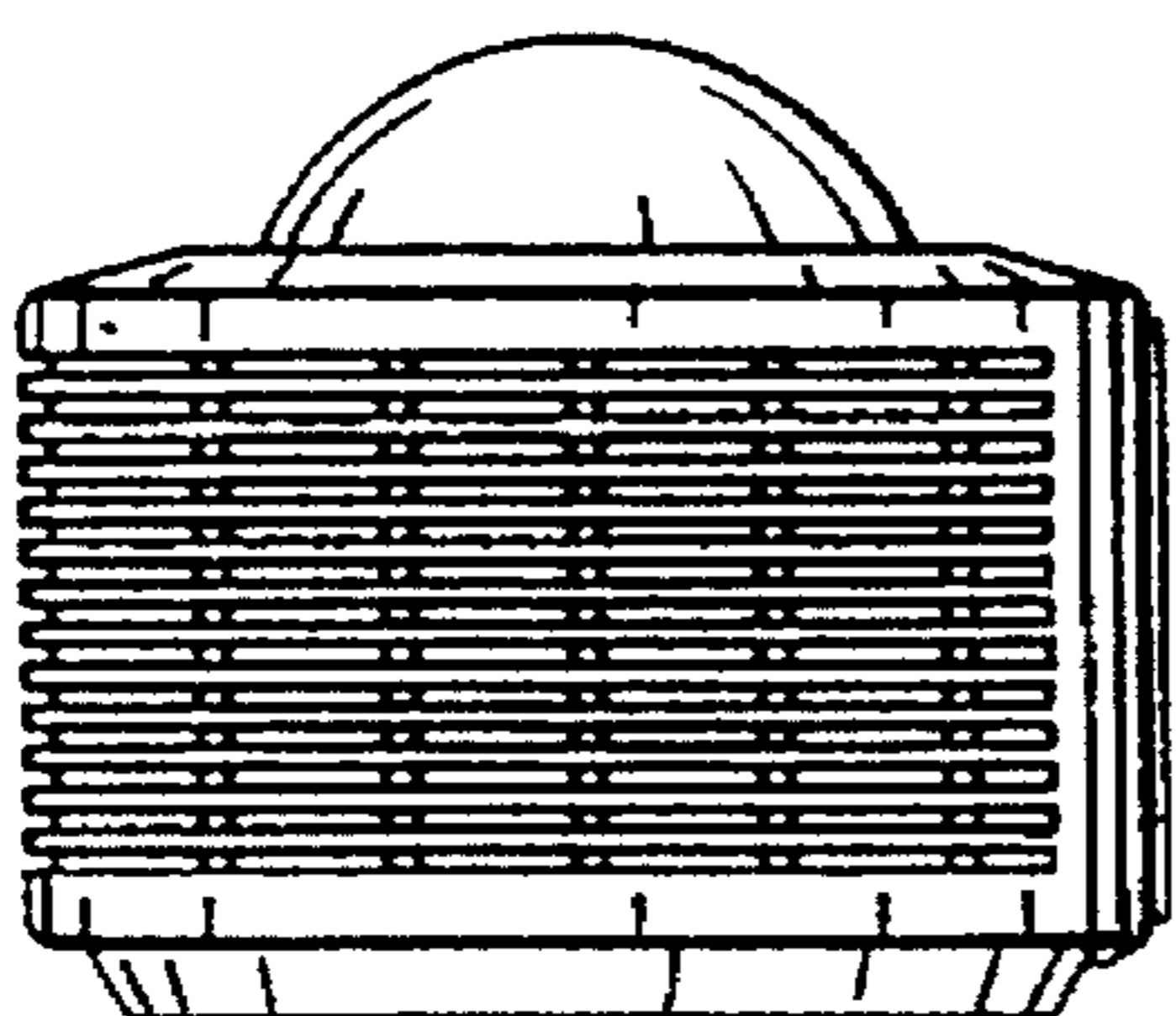


FIG. 5

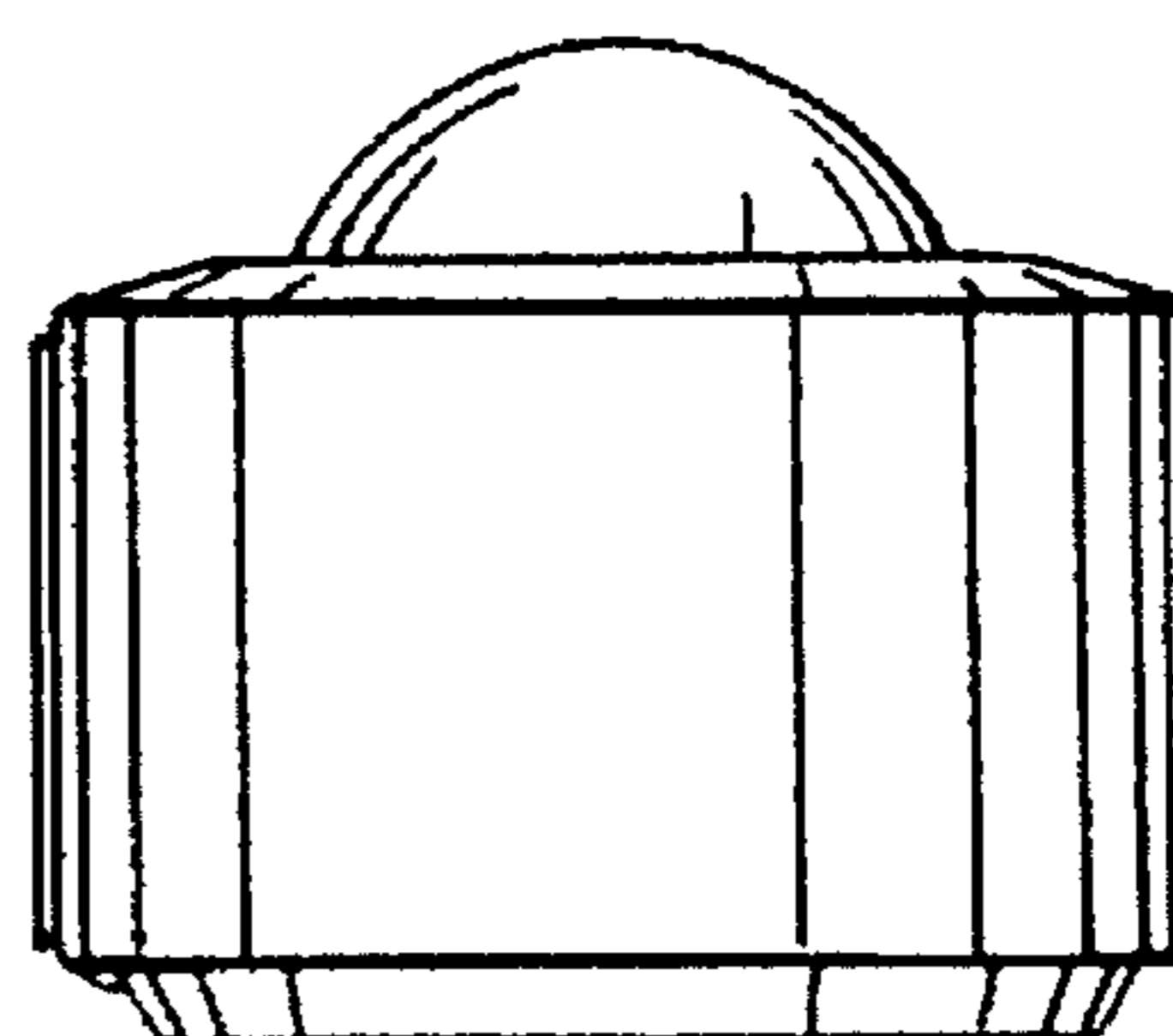


FIG. 4

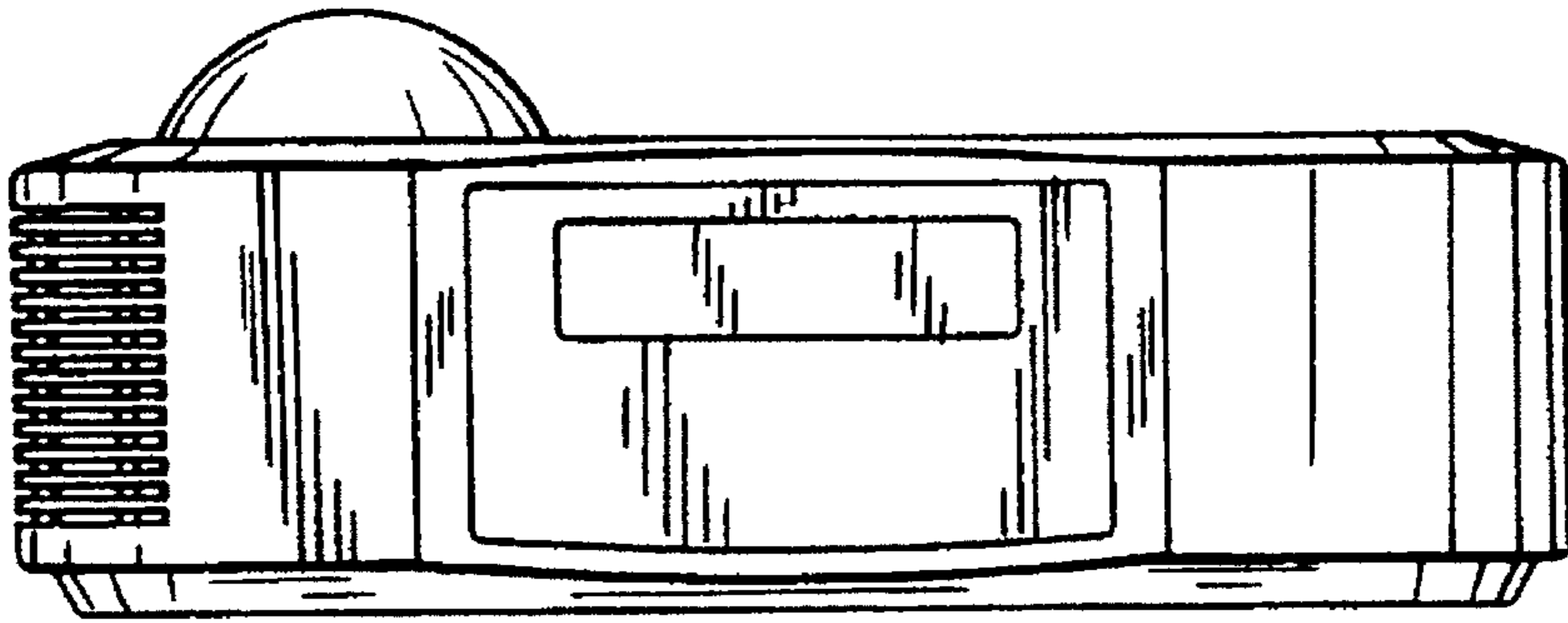


FIG. 6

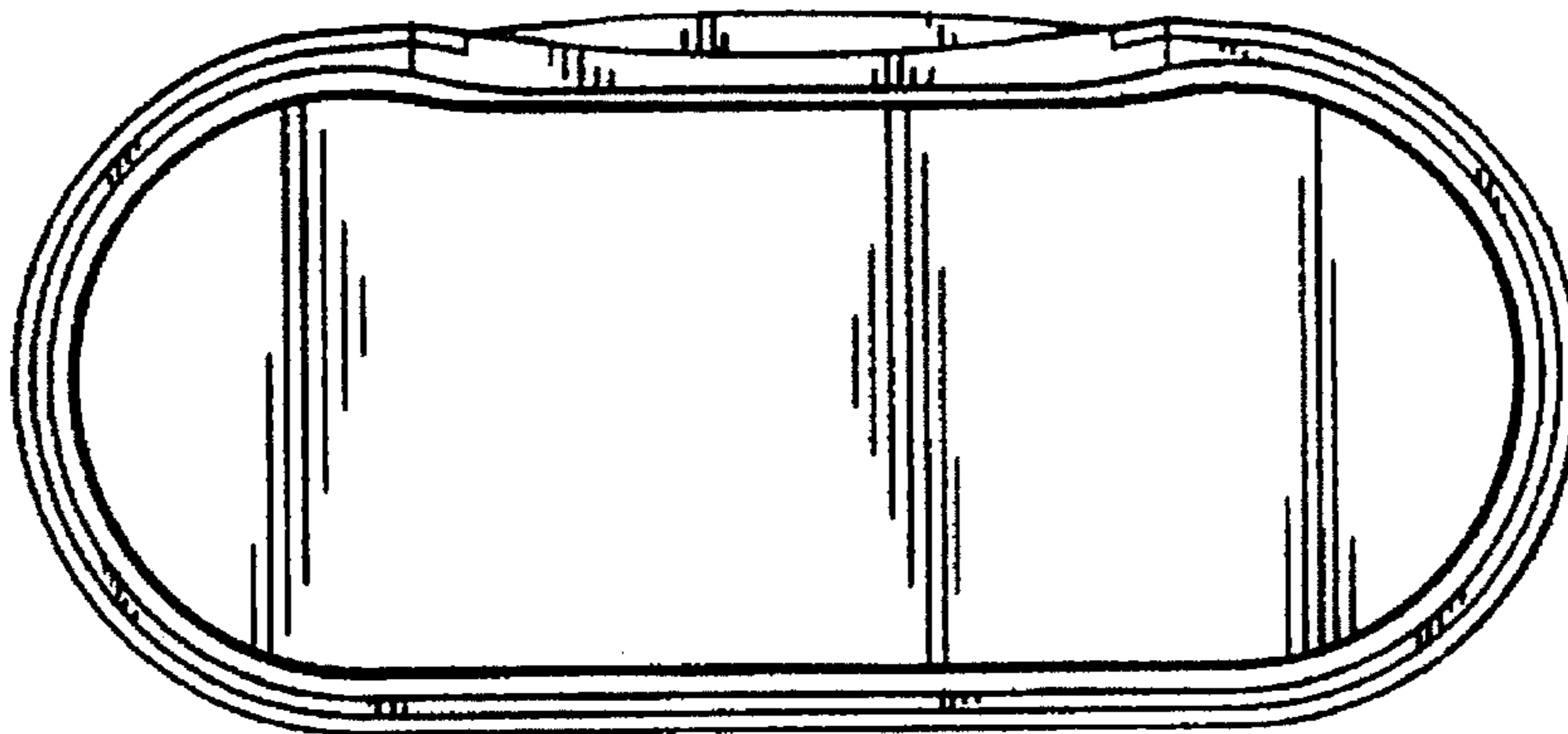


FIG. 7

