



US00D379626S

# United States Patent [19] Mak

[11] Patent Number: **Des. 379,626**

[45] Date of Patent: **\*\*Jun. 3, 1997**

[54] **COMBINED CLIP AND RECORDER**

[75] Inventor: **Ronnie C. W. Mak, Kowloon, Hong Kong**

[73] Assignee: **Sanny Electronics Limited, Kowloon, Hong Kong**

[\*\*] Term: **14 Years**

[21] Appl. No.: **52,949**

[22] Filed: **Apr. 10, 1996**

[30] **Foreign Application Priority Data**

Oct. 24, 1995 [GB] United Kingdom ..... 2051369

[51] LOC (6) Cl. .... **14-01**

[52] U.S. Cl. .... **D14/168; D8/395; D19/65**

[58] Field of Search ..... **D8/395; D14/124, D14/160-168, 188-189, 192-195, 299; D19/65; 24/509, 510; 455/344, 347-351**

[56] **References Cited**

**U.S. PATENT DOCUMENTS**

D. 274,127 6/1984 Einhorn et al. .... D19/65 X

|            |         |                 |           |
|------------|---------|-----------------|-----------|
| D. 292,677 | 11/1987 | Jordi .....     | D8/395 X  |
| D. 317,158 | 5/1991  | Wingate .....   | D14/165 X |
| D. 333,099 | 2/1993  | Hiromori .....  | D19/65 X  |
| D. 335,078 | 4/1993  | Hampshire ..... | D8/395    |
| D. 370,339 | 6/1996  | Pinchuk .....   | D14/167 X |
| D. 371,130 | 6/1996  | Formicola ..... | D14/168 X |

*Primary Examiner*—Sandra L. Morris  
*Assistant Examiner*—Nanda Bondade  
*Attorney, Agent, or Firm*—Beveride, DeGrandi, Weilacher & Young LLP

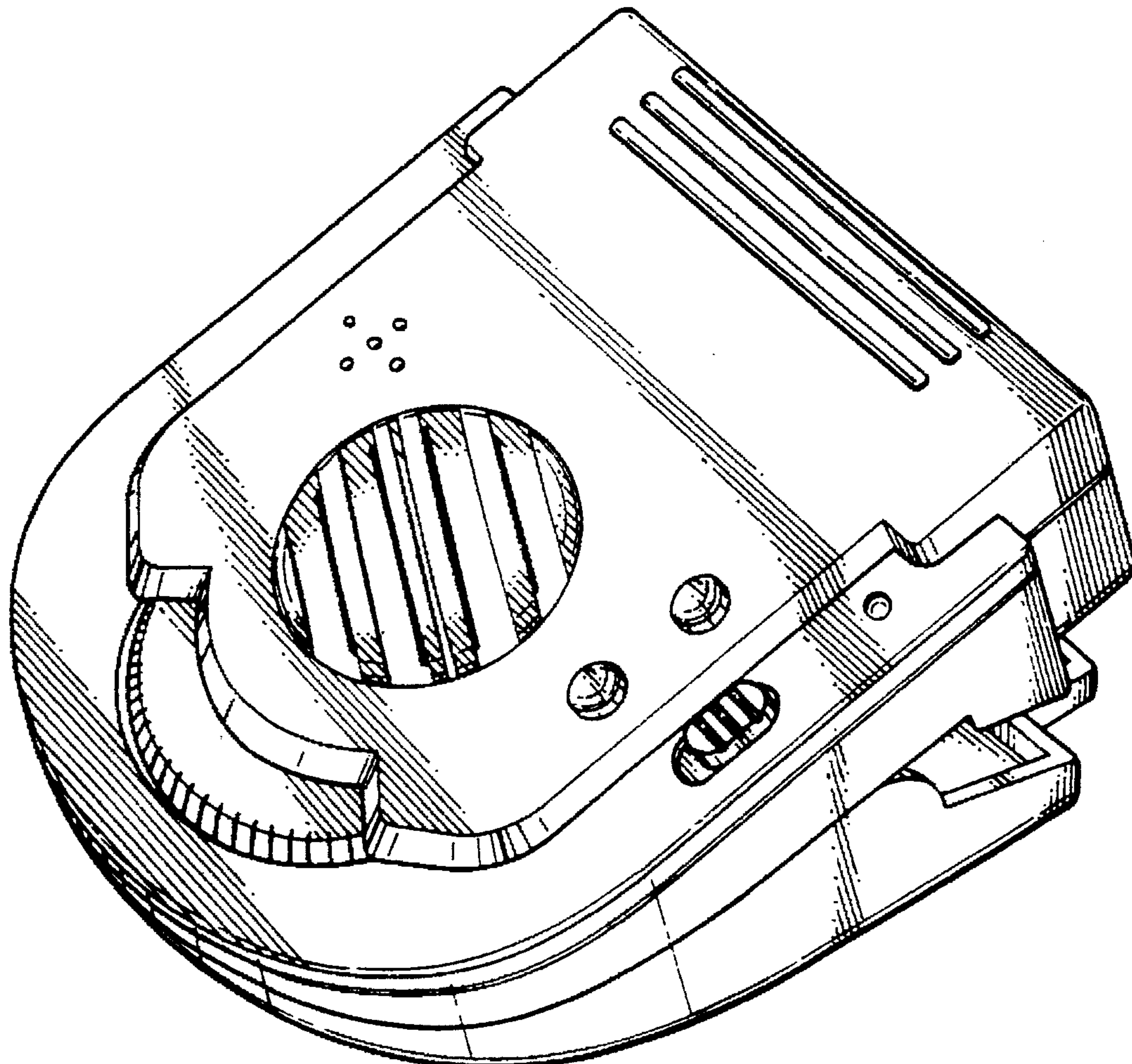
[57] **CLAIM**

The ornamental design for a combined clip and recorder, as shown and described.

**DESCRIPTION**

FIG. 1 is a perspective view of a combined clip and recorder showing my new design;  
FIG. 2 is a front elevational view thereof;  
FIG. 3 is a rear elevational view thereof;  
FIG. 4 is a left side elevational view thereof;  
FIG. 5 is a right side elevational view thereof;  
FIG. 6 is a top plan view thereof; and,  
FIG. 7 is a bottom plan view thereof.

**1 Claim, 4 Drawing Sheets**



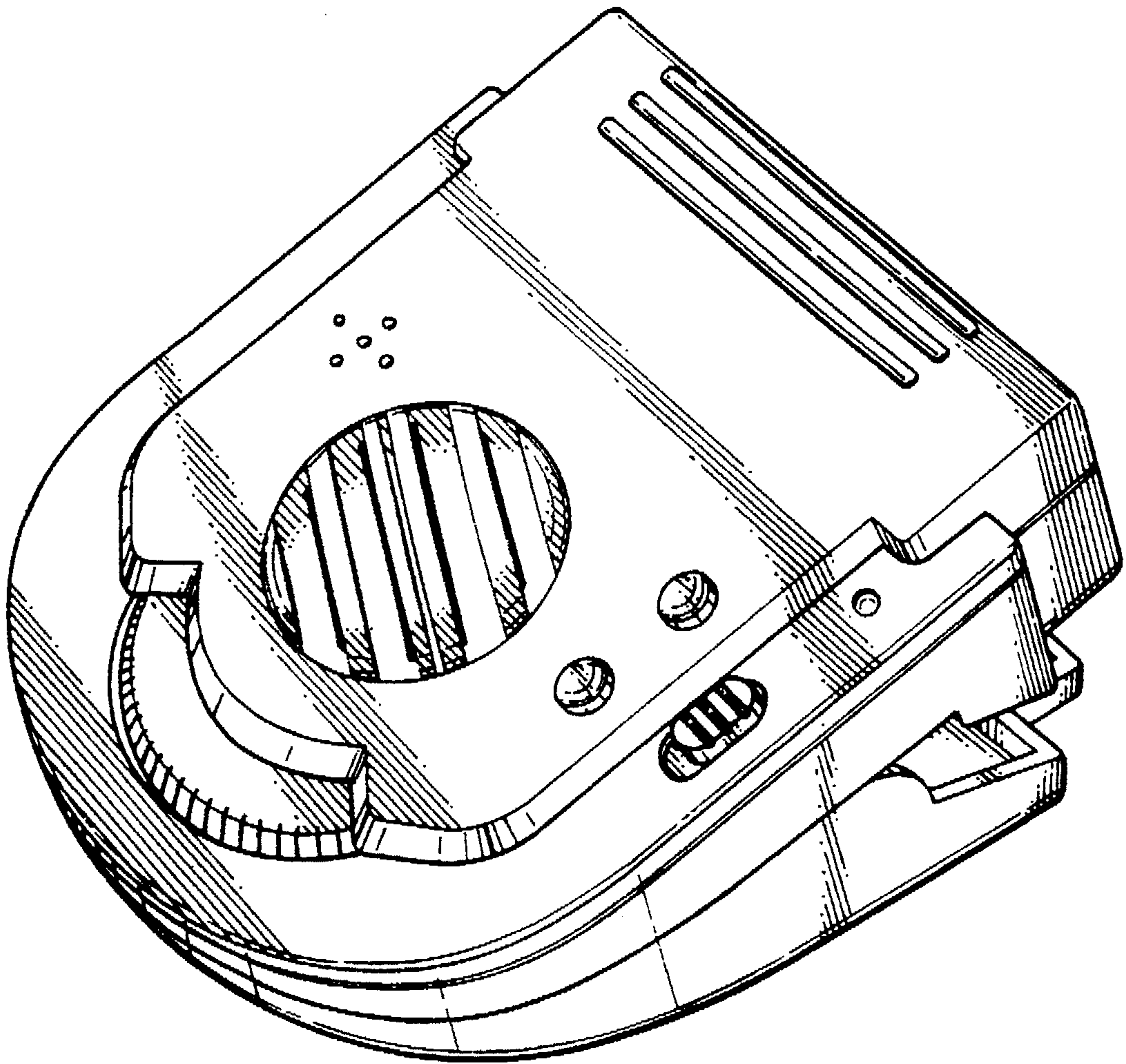


FIG. 1

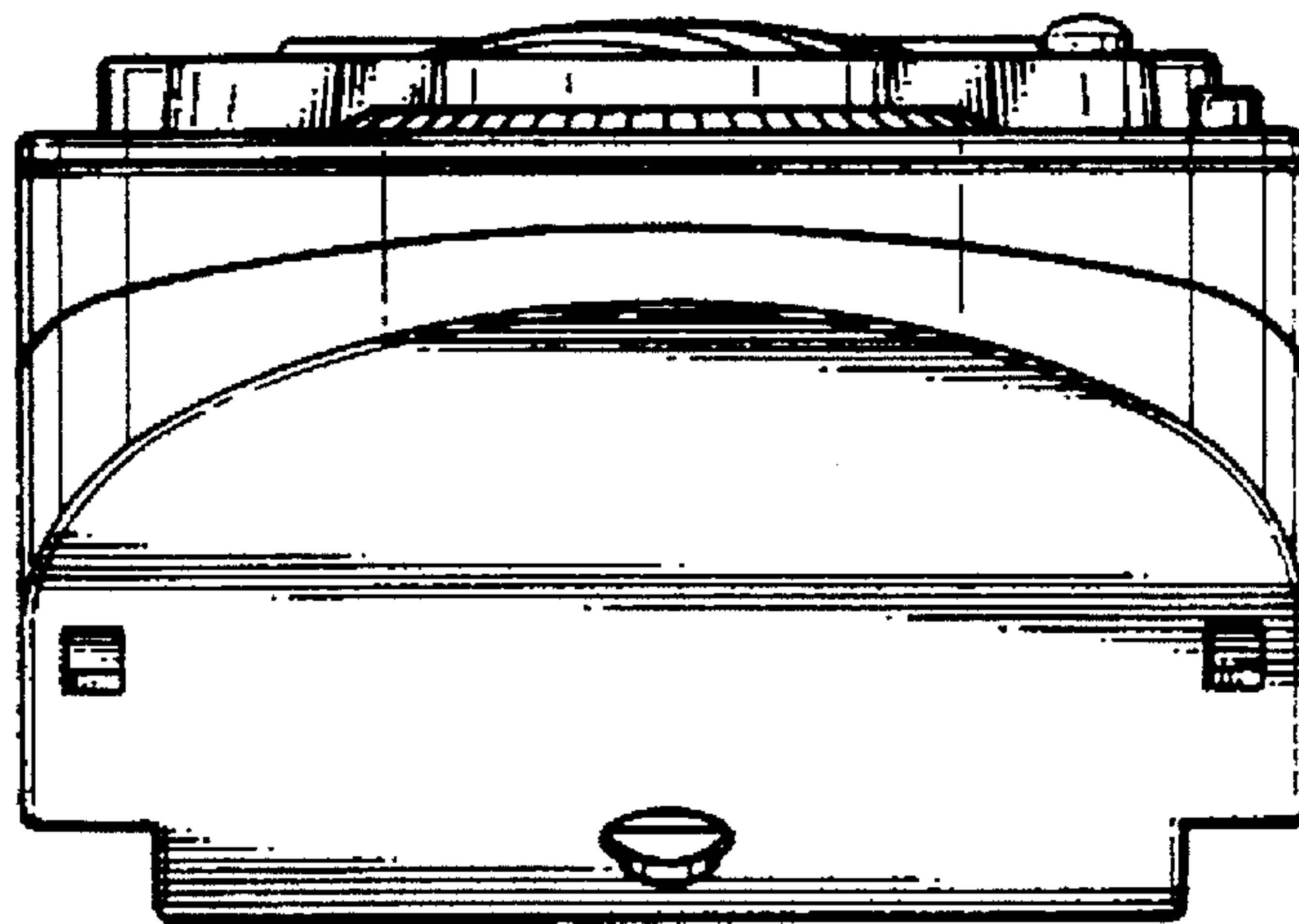


FIG. 2

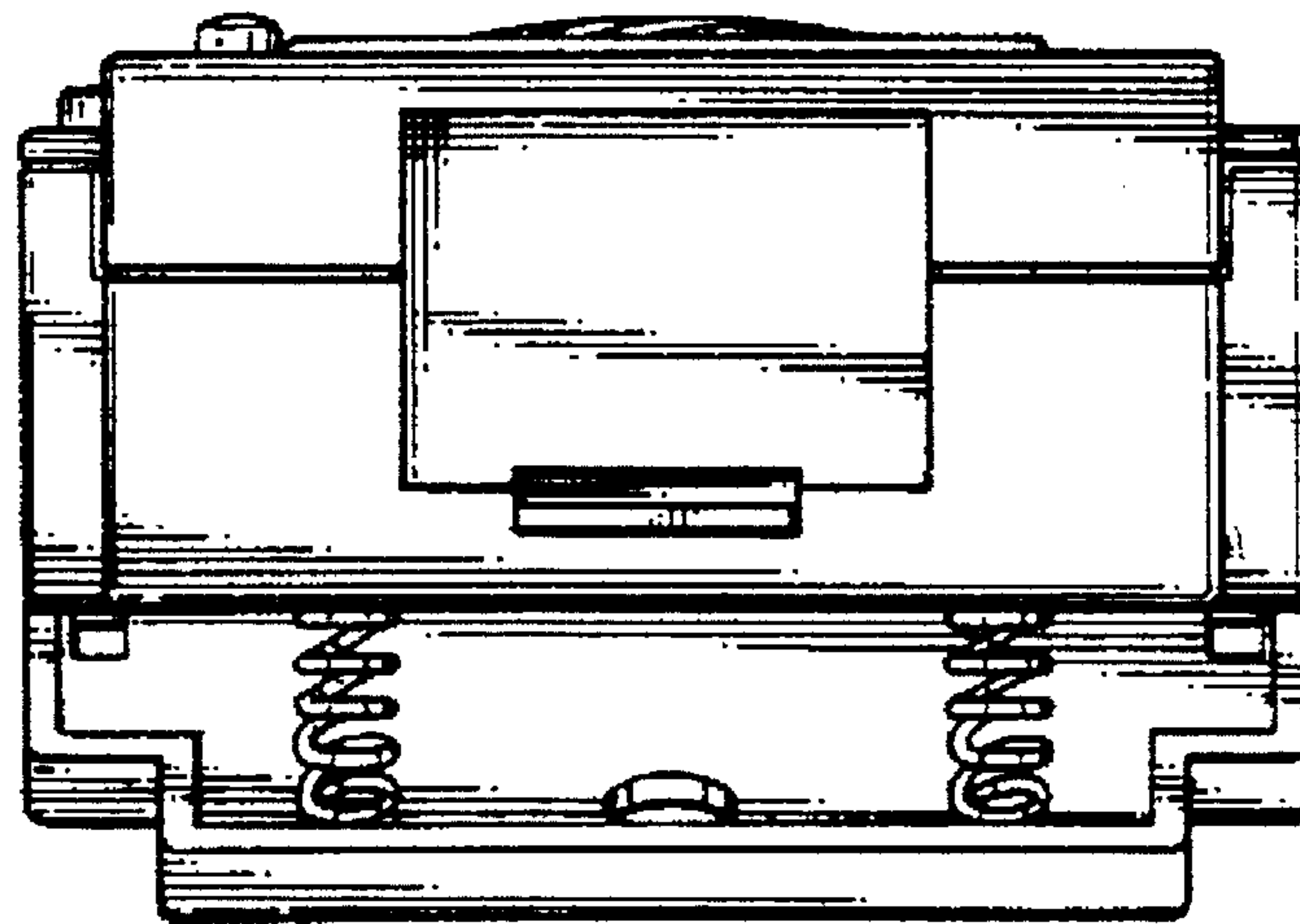


FIG. 3



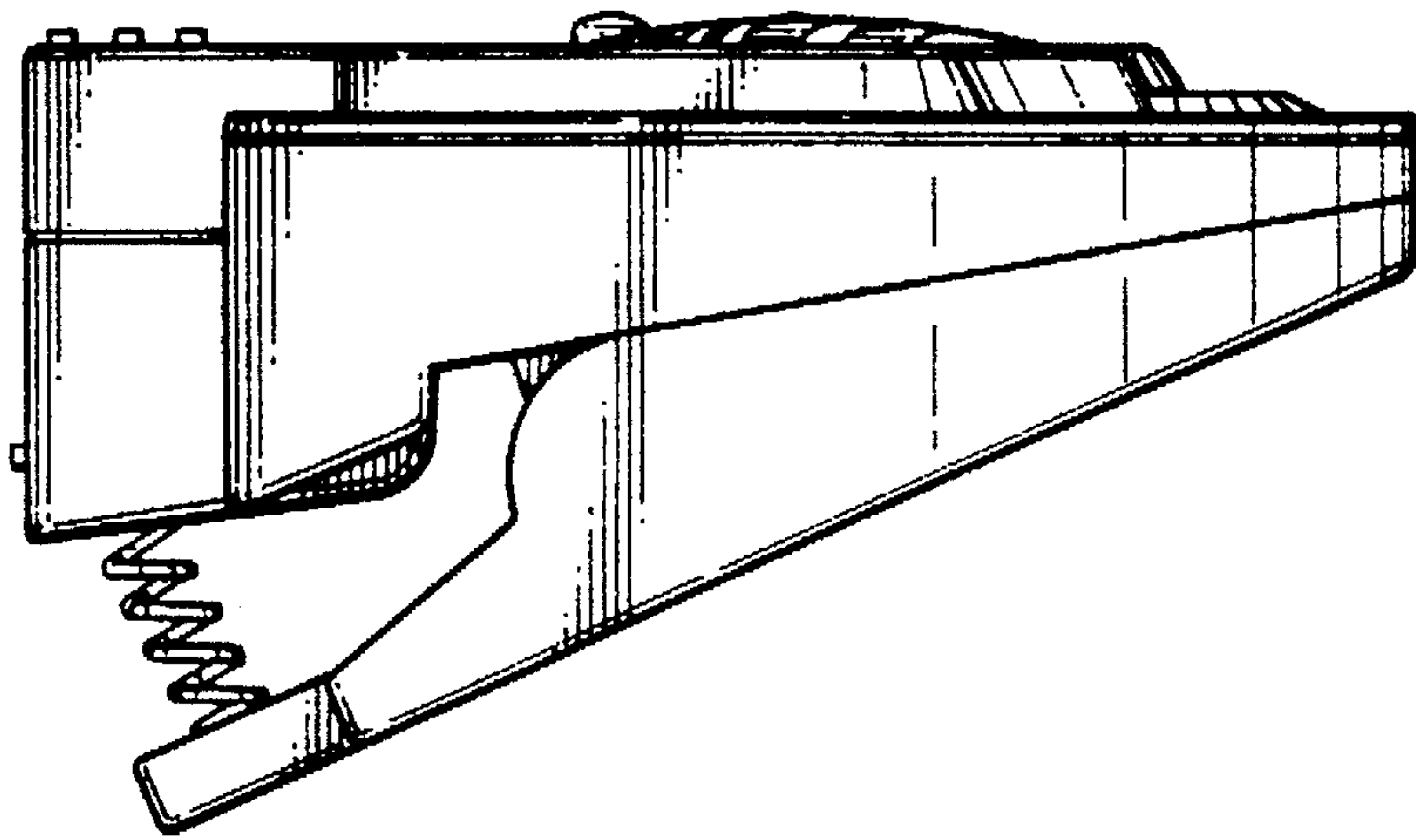


FIG. 4

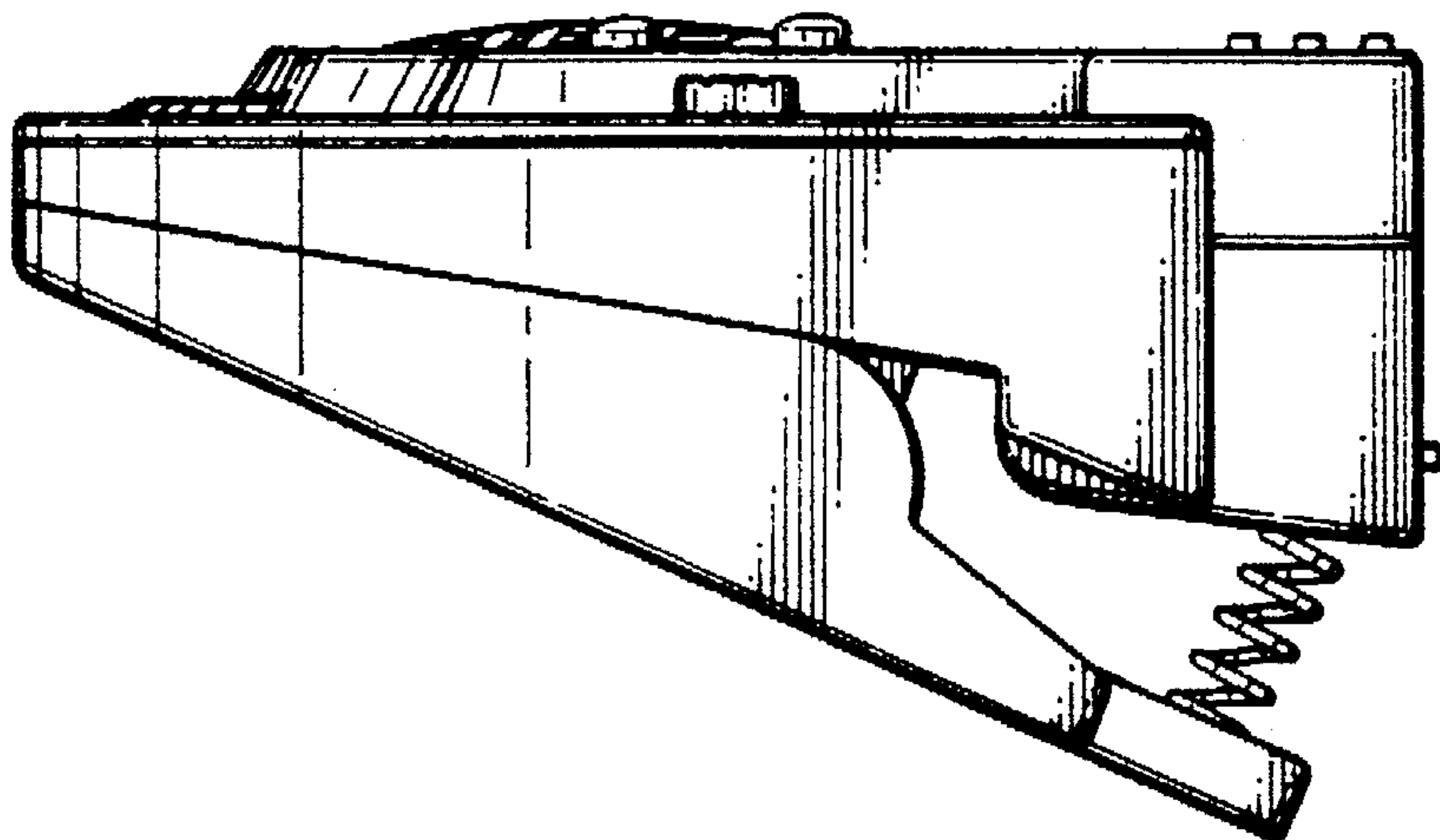


FIG. 5

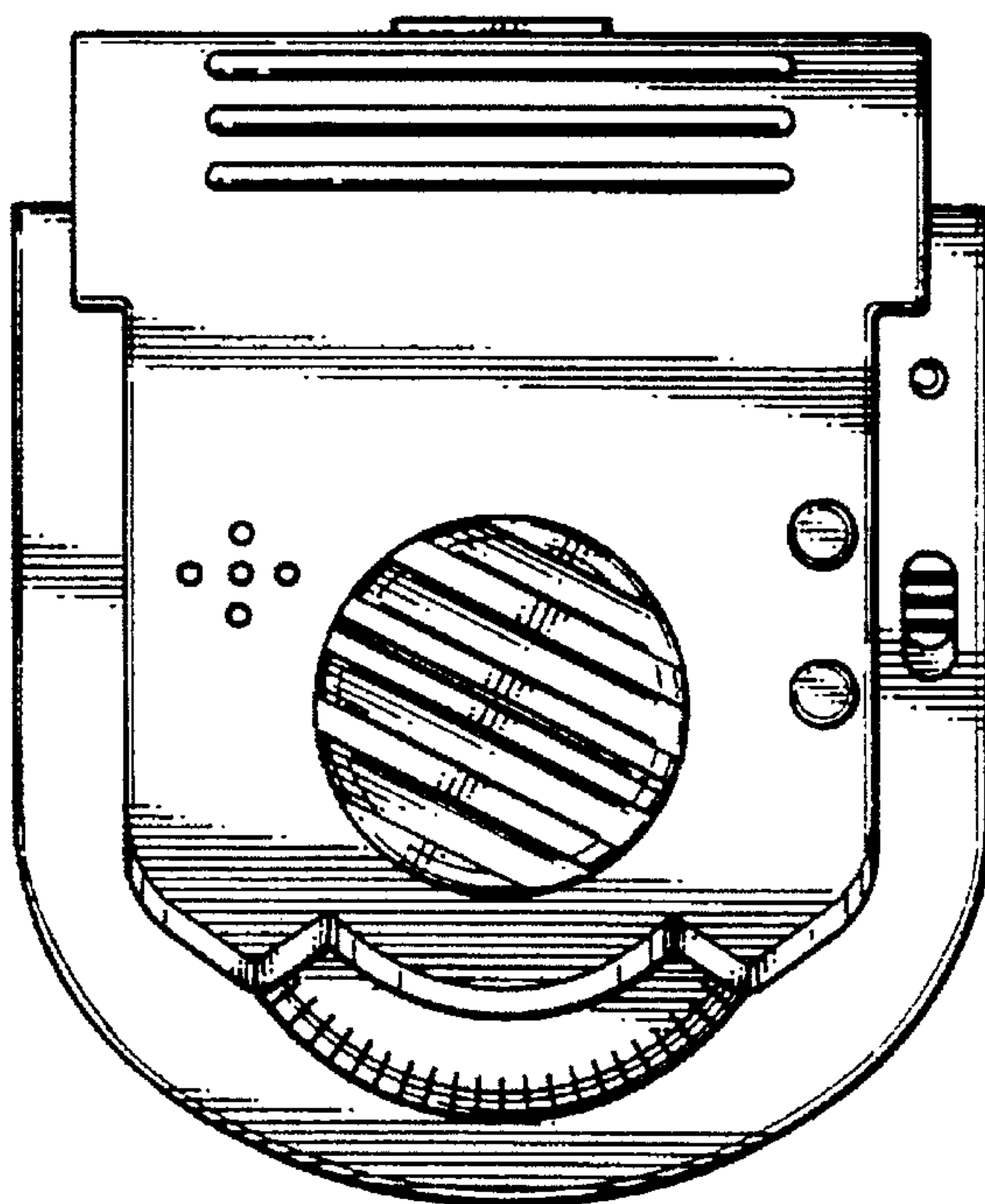


FIG. 6

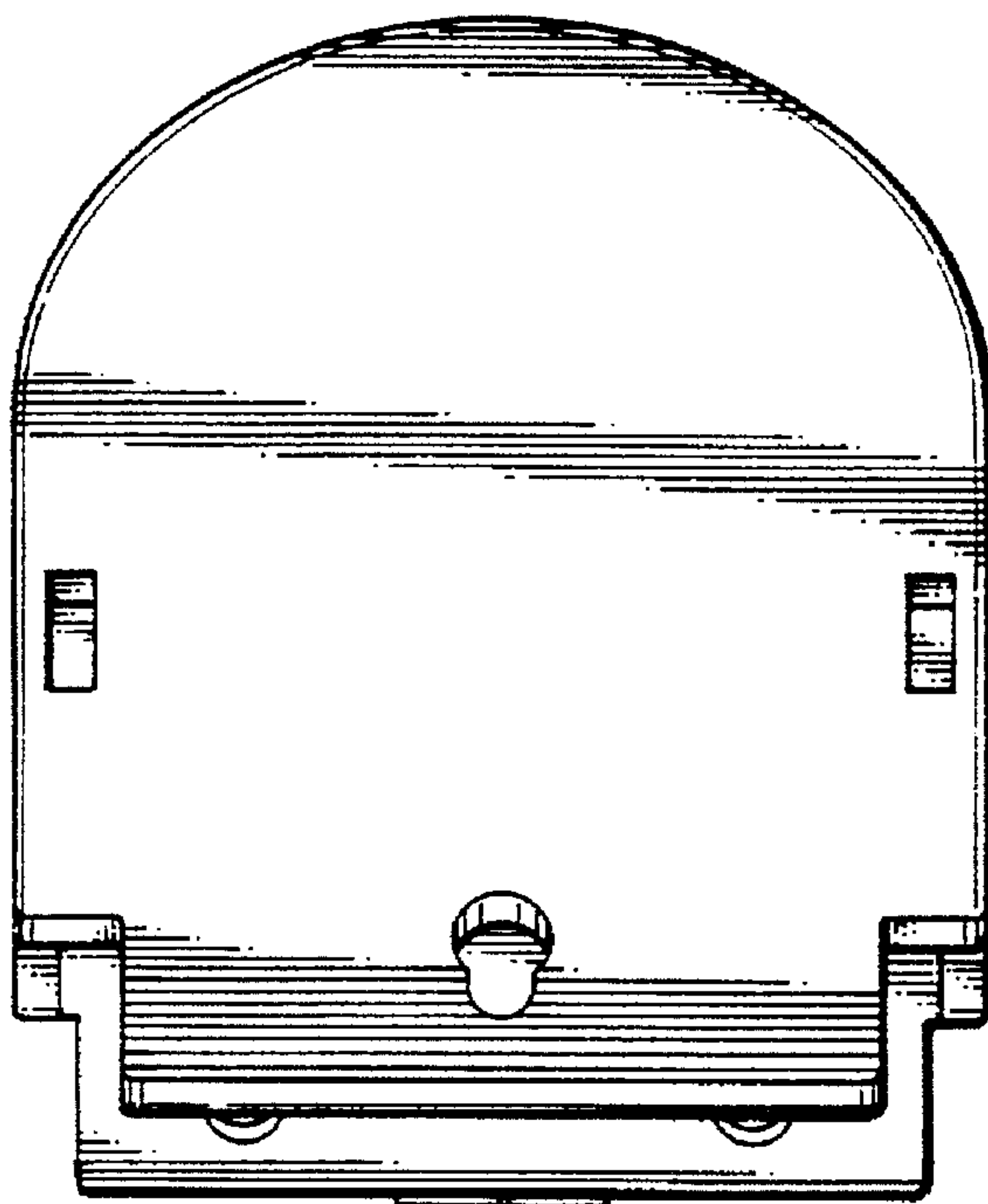


FIG. 7