



US00D379625S

# United States Patent [19] Uchiyama

[11] Patent Number: **Des. 379,625**

[45] Date of Patent: **\*\*Jun. 3, 1997**

[54] **DIGITAL AUDIO DISC PLAYER**

D. 351,167 10/1994 Yun ..... D14/156

[75] Inventor: **Jun Uchiyama**, Ibaragi, Japan

*Primary Examiner*—Dominic Simone  
*Attorney, Agent, or Firm*—Cooper & Dunham LLP

[73] Assignee: **Sony Corporation**, Tokyo, Japan

[57] **CLAIM**

[\*\*] Term: **14 Years**

The ornamental design for digital audio disc player, as shown and described.

[21] Appl. No.: **43,007**

### DESCRIPTION

[22] Filed: **Aug. 23, 1995**

[51] LOC (6) Cl. .... **14-01**

[52] U.S. Cl. .... **D14/156**

[58] Field of Search ..... D14/109, 156;  
369/77.1, 77.2, 75.1

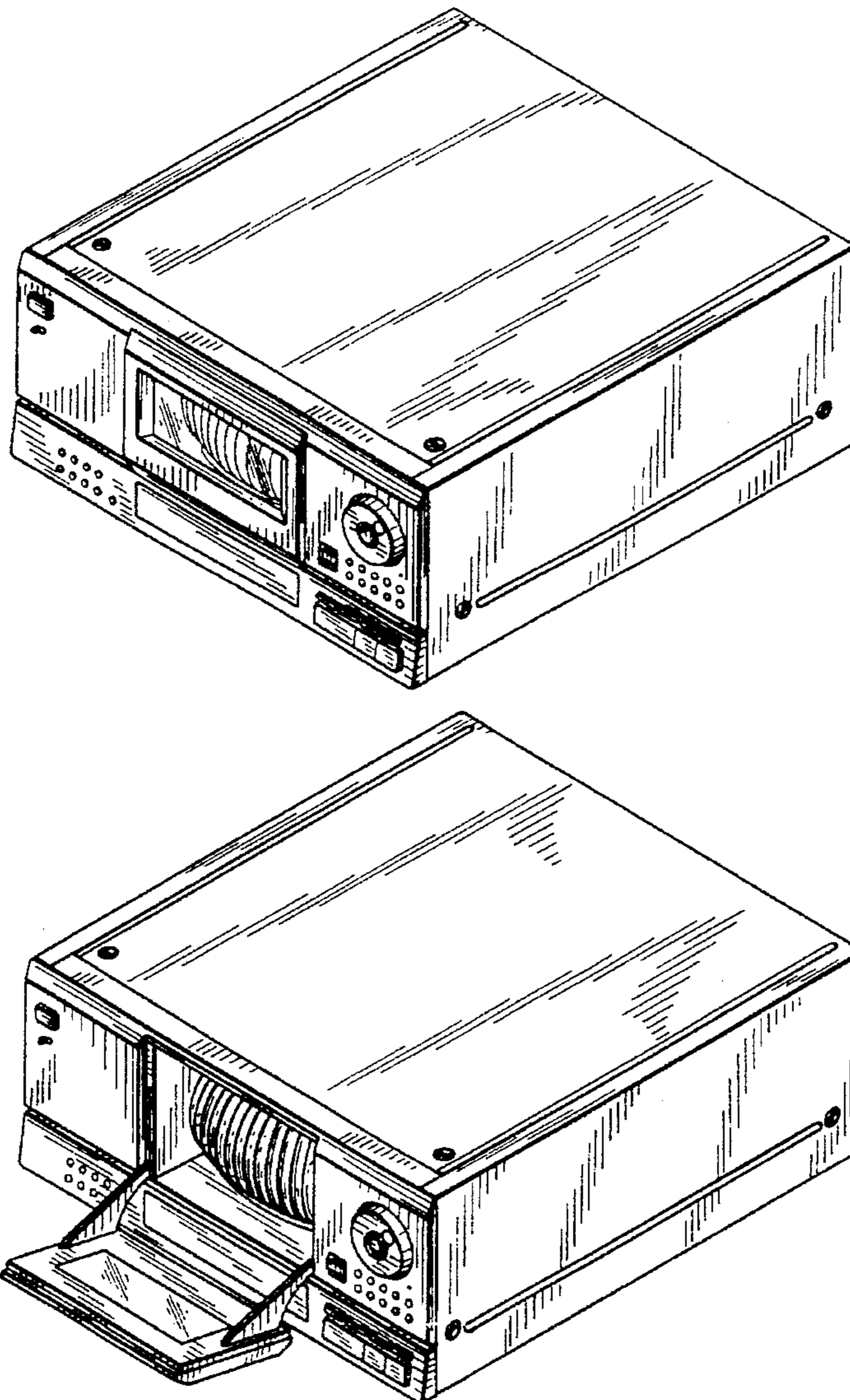
FIG. 1 is a top plan view showing my new design;  
FIG. 2 is a left side elevational view thereof;  
FIG. 3 is a front elevational view thereof;  
FIG. 4 is right side elevational view thereof;  
FIG. 5 is a bottom plan view thereof;  
FIG. 6 is a rear elevational view thereof;  
FIG. 7 is a front perspective view thereof;  
FIG. 8 is a front perspective view thereof in an open position; and,  
FIG. 9 is a front perspective view thereof in operating condition.

### [56] References Cited

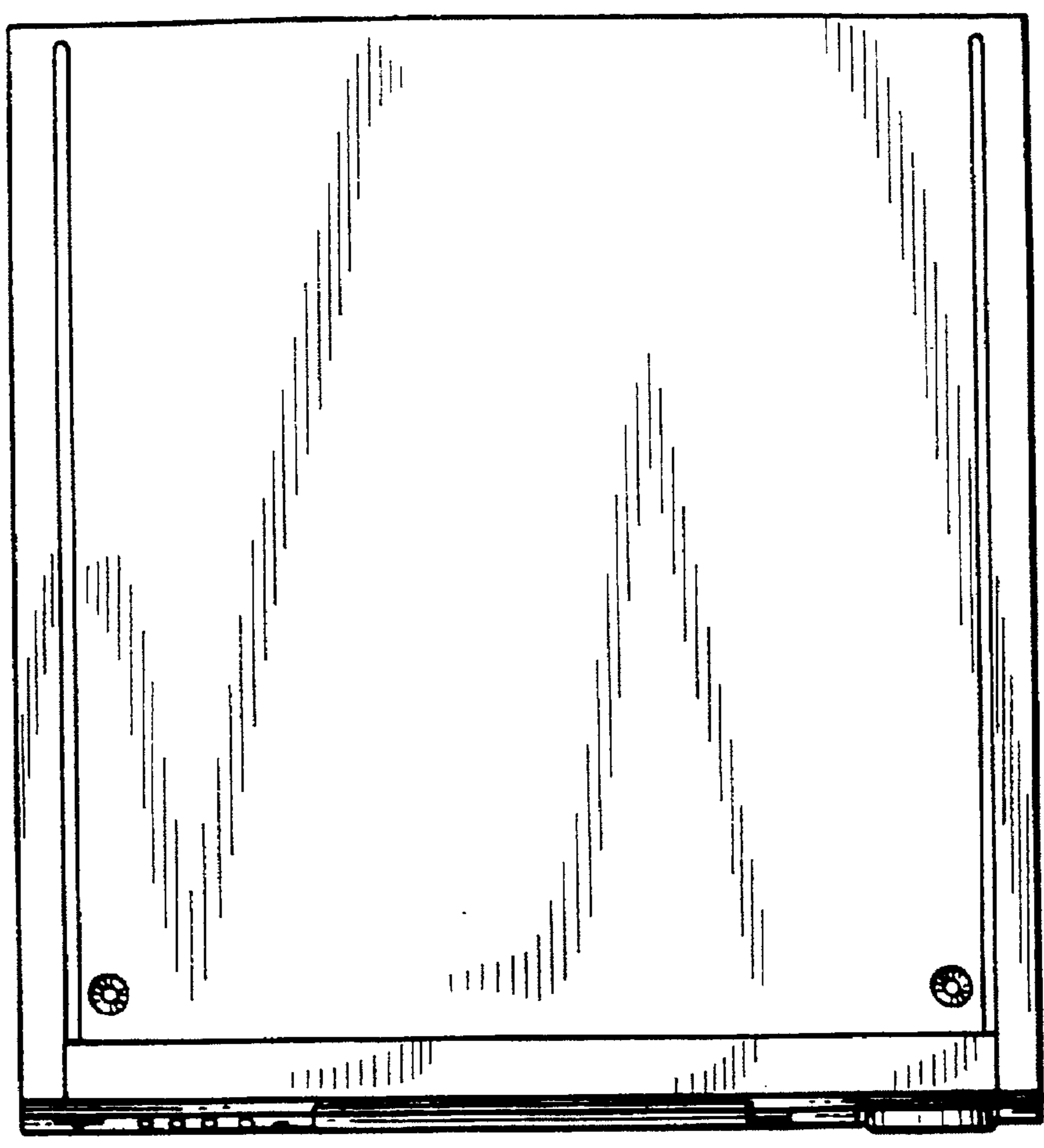
#### U.S. PATENT DOCUMENTS

D. 294,488 3/1988 Rogers ..... D14/156  
D. 304,941 12/1989 Ito et al. .... D14/156  
D. 320,989 10/1991 Horikoshi et al. .... D14/156  
D. 321,192 10/1991 Ito et al. .... D14/156 X

**1 Claim, 4 Drawing Sheets**



*FIG. 1*



*FIG. 2*

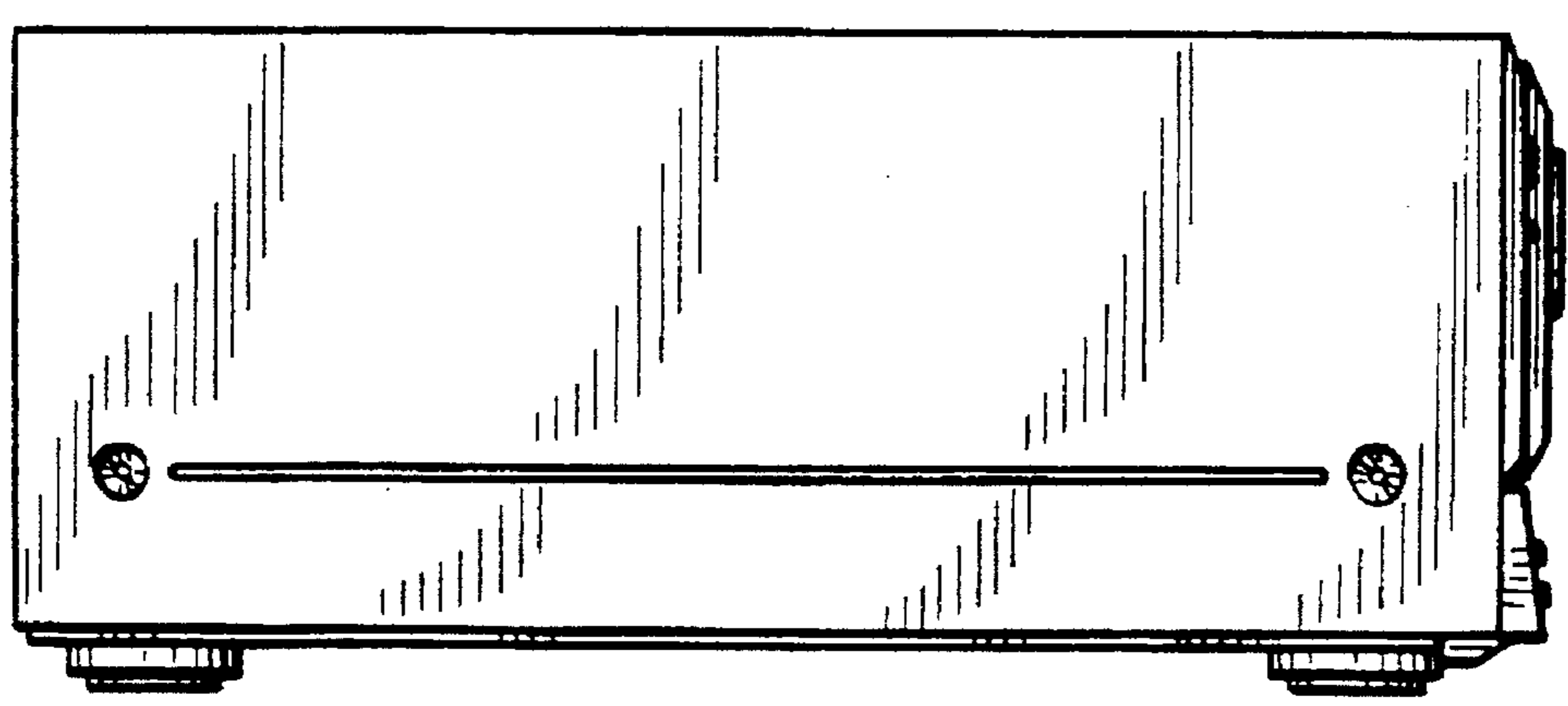


FIG. 3

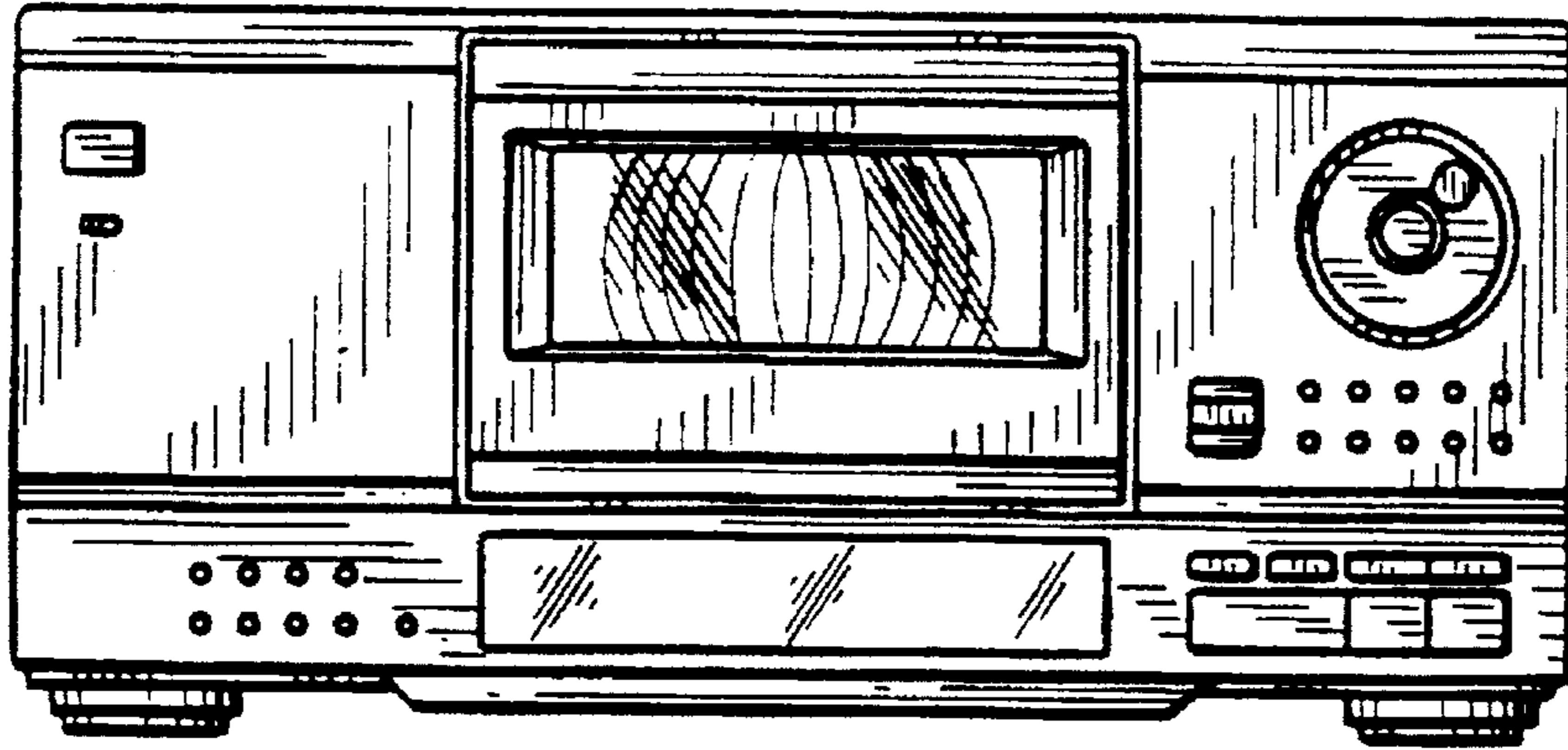


FIG. 4

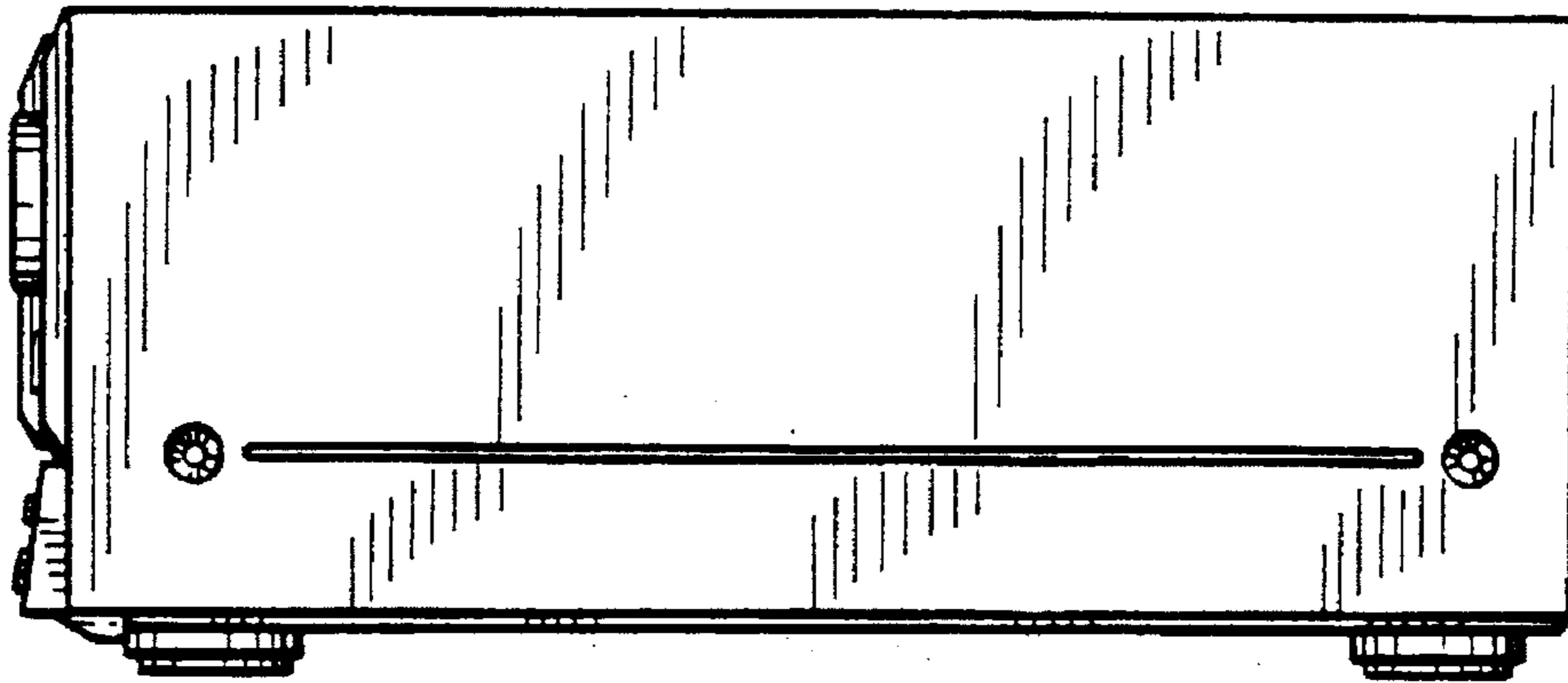


FIG. 9

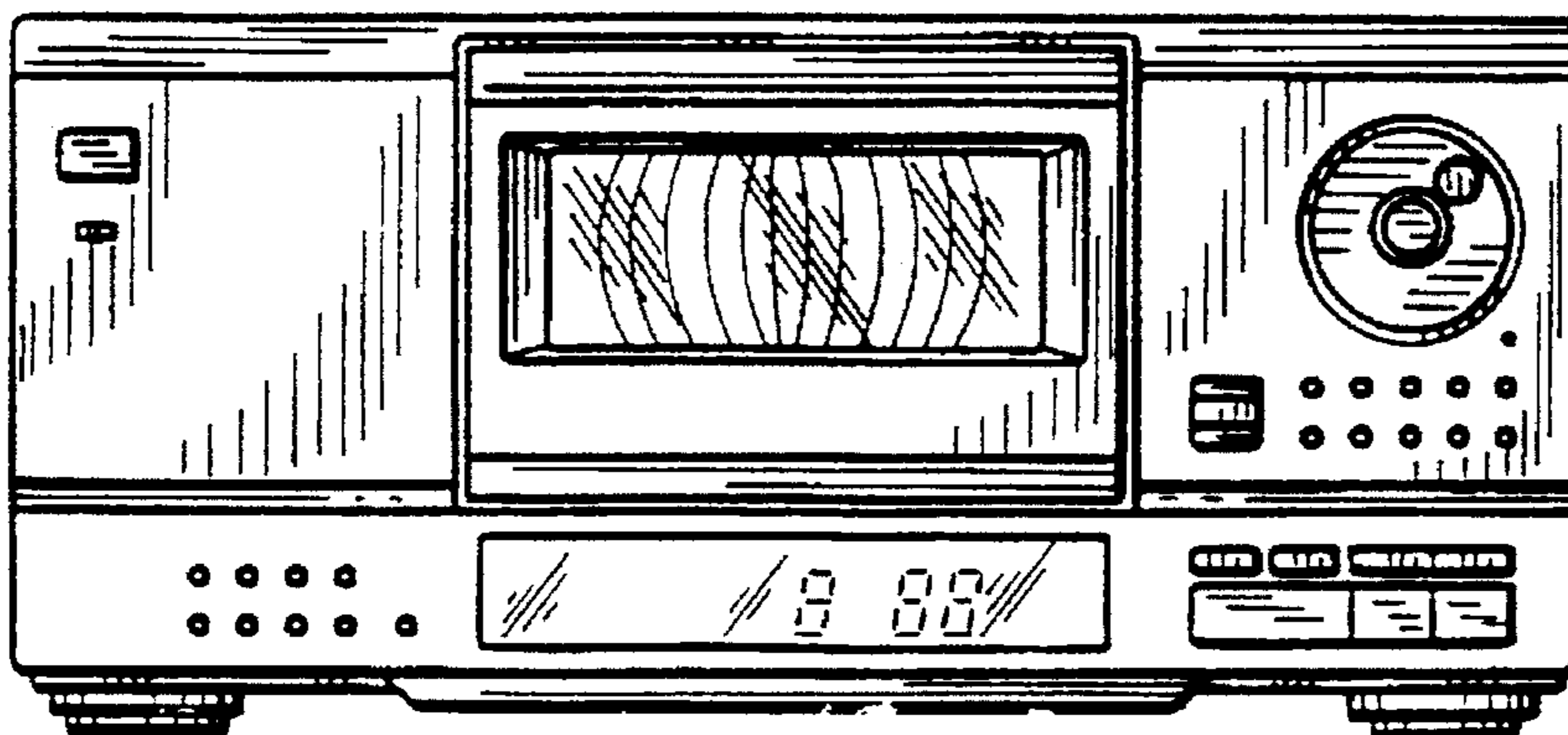


FIG. 5

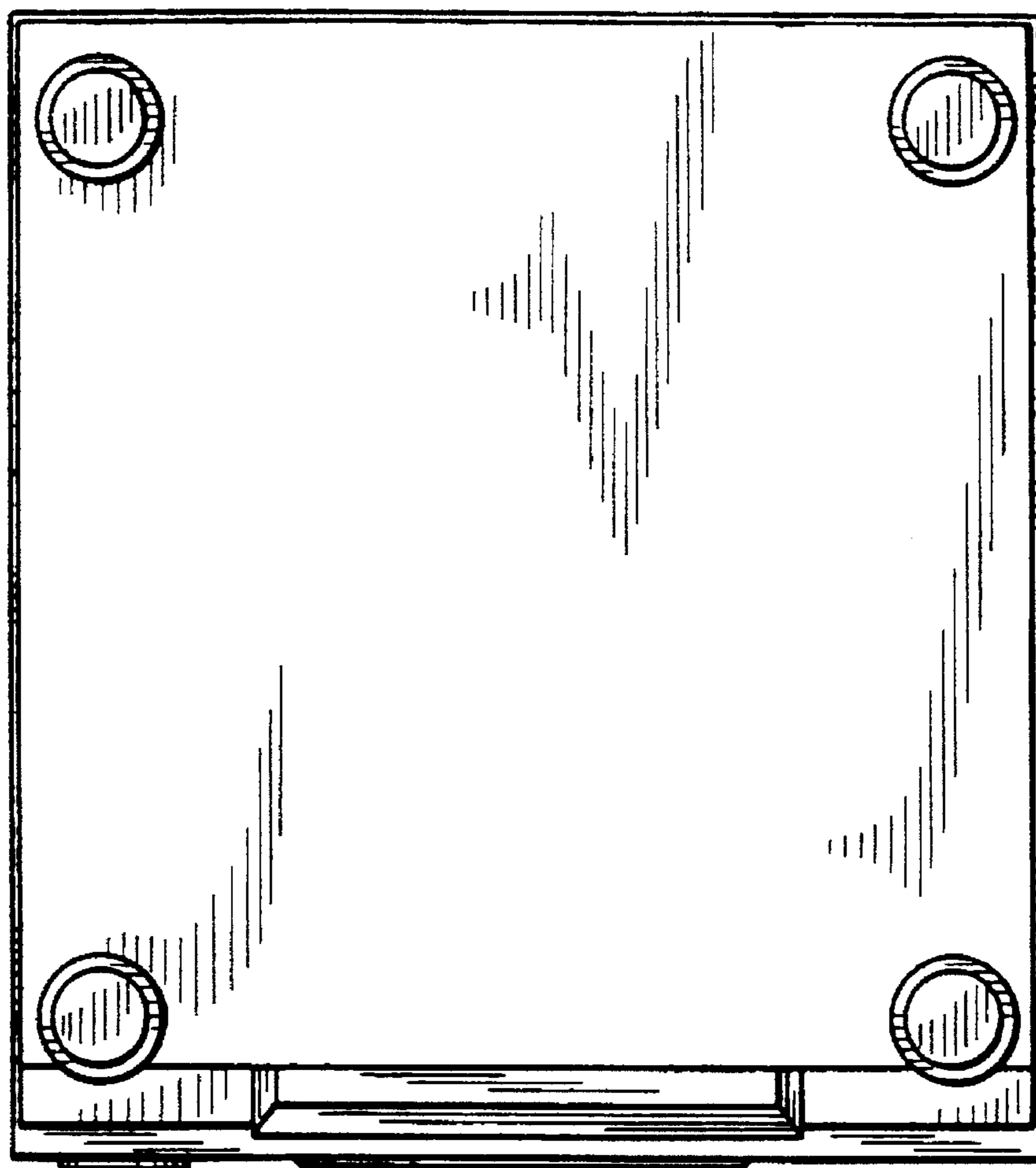
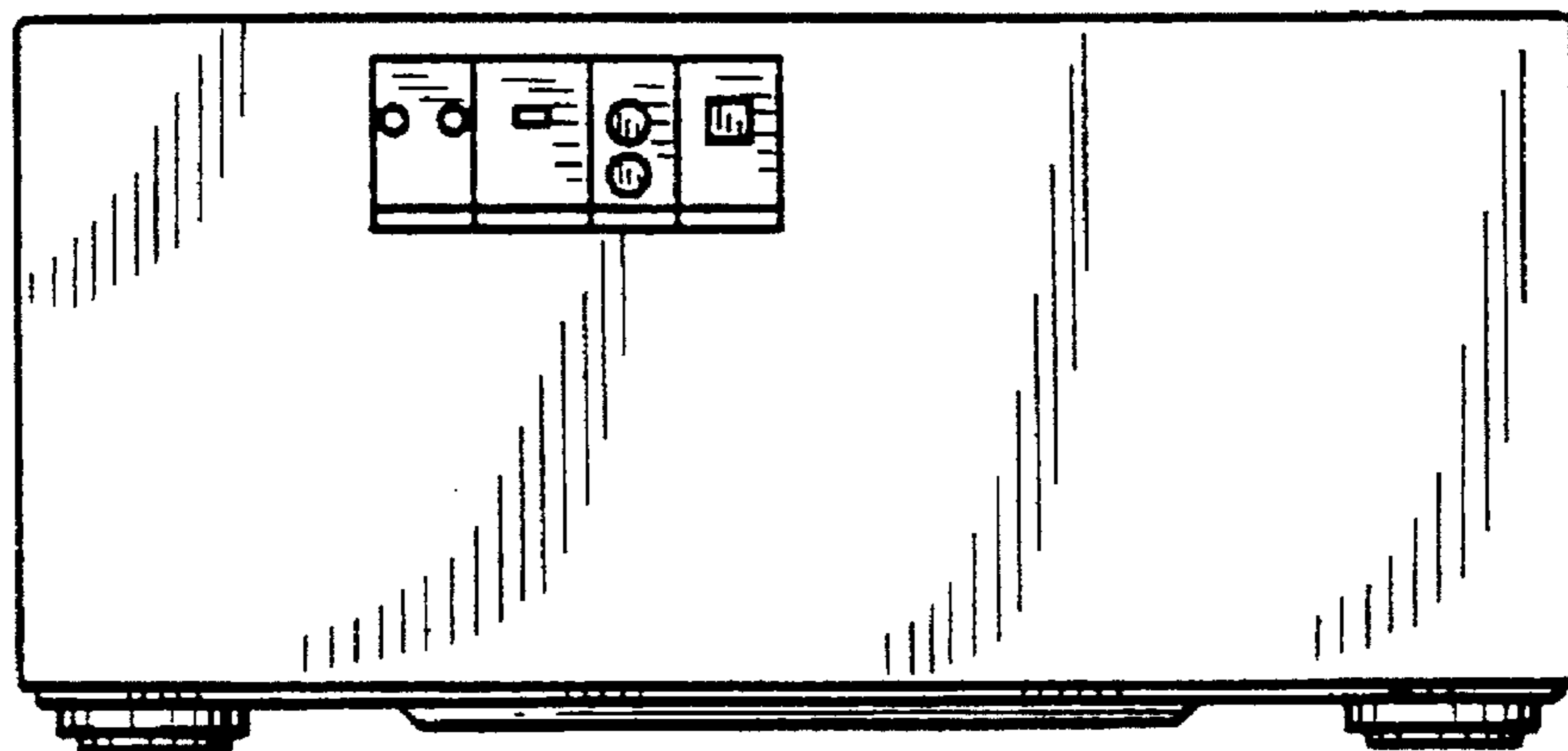
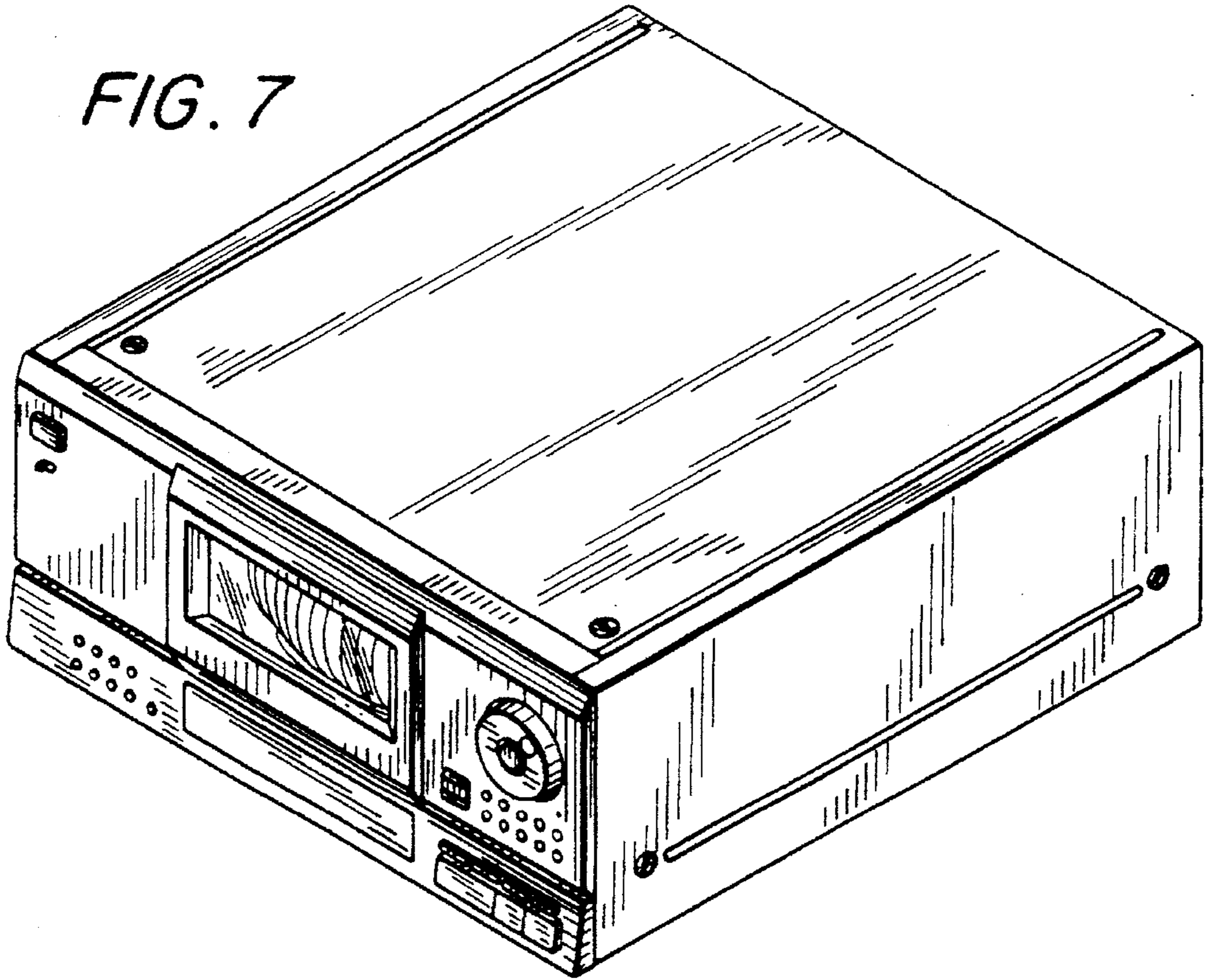


FIG. 6



*FIG. 7*



*FIG. 8*

