



US00D379623S

United States Patent [19]

[11] Patent Number: **Des. 379,623**

Wu

[45] Date of Patent: ****Jun. 3, 1997**

[54] **COMPUTER HOUSING**

[76] Inventor: **Jeff Wu**, 22771 Tindaya, Mission Viejo, Calif. 92692

[**] Term: **14 Years**

[21] Appl. No.: **50,201**

[22] Filed: **Feb. 12, 1996**

[51] **LOC (6) Cl.** **14-02**

[52] **U.S. Cl.** **D14/102**

[58] **Field of Search** D14/100, 102, D14/107-109; D13/162, 184, 199; D6/432, 436, 445, 448; 312/208.1; 360/99.12; 361/680-695; 439/352, 377

[56] **References Cited**

U.S. PATENT DOCUMENTS

D. 359,950	7/1995	Daniels et al.	D14/100
D. 363,465	10/1995	Daniels et al.	D14/100
D. 365,331	12/1995	Martin et al.	D14/100
D. 366,647	1/1996	Martin	D14/100
4,941,841	7/1990	Darden et al.	439/377
4,979,909	12/1990	Andrews et al.	439/352
5,277,615	1/1994	Hastings et al.	439/377

OTHER PUBLICATIONS

Commercial & Industrial Design Company Products Catalog—1993.
 Mega Drive Enterprise8 Storage System brochure 1995.
 Storage Works Products brochure—1995.
 Data Cyle International Corporation brochur on DCI-568 Series, High Performance of Raid System Enclosure.
 Computer Technology Review—"How Raid Works With HSM"—Fall/Winter '94.

Computer Technology Review—"Is Raid Ready For Prime Time?"—Fall/Winter '94.

Computer Technology—"What to Look For in a Raid-Ready Enclosure"—Winter/Spring '95.

Distributed Processing Technology brochur on Smart Raid Storage Subsystem.

Primary Examiner—Freda Nunn

Attorney, Agent, or Firm—Knobbe, Martens, Olson & Bear LLP

[57] **CLAIM**

The ornamental design for a computer housing, as shown and described.

DESCRIPTION

FIG. 1 is a perspective view of a computer housing in accordance with the present invention;

FIG. 2 is a front elevational view of the computer housing of FIG. 1;

FIG. 3 is a right-side elevational view of the computer housing of FIG. 1;

FIG. 4 is a rear elevational view of the computer housing of FIG. 1;

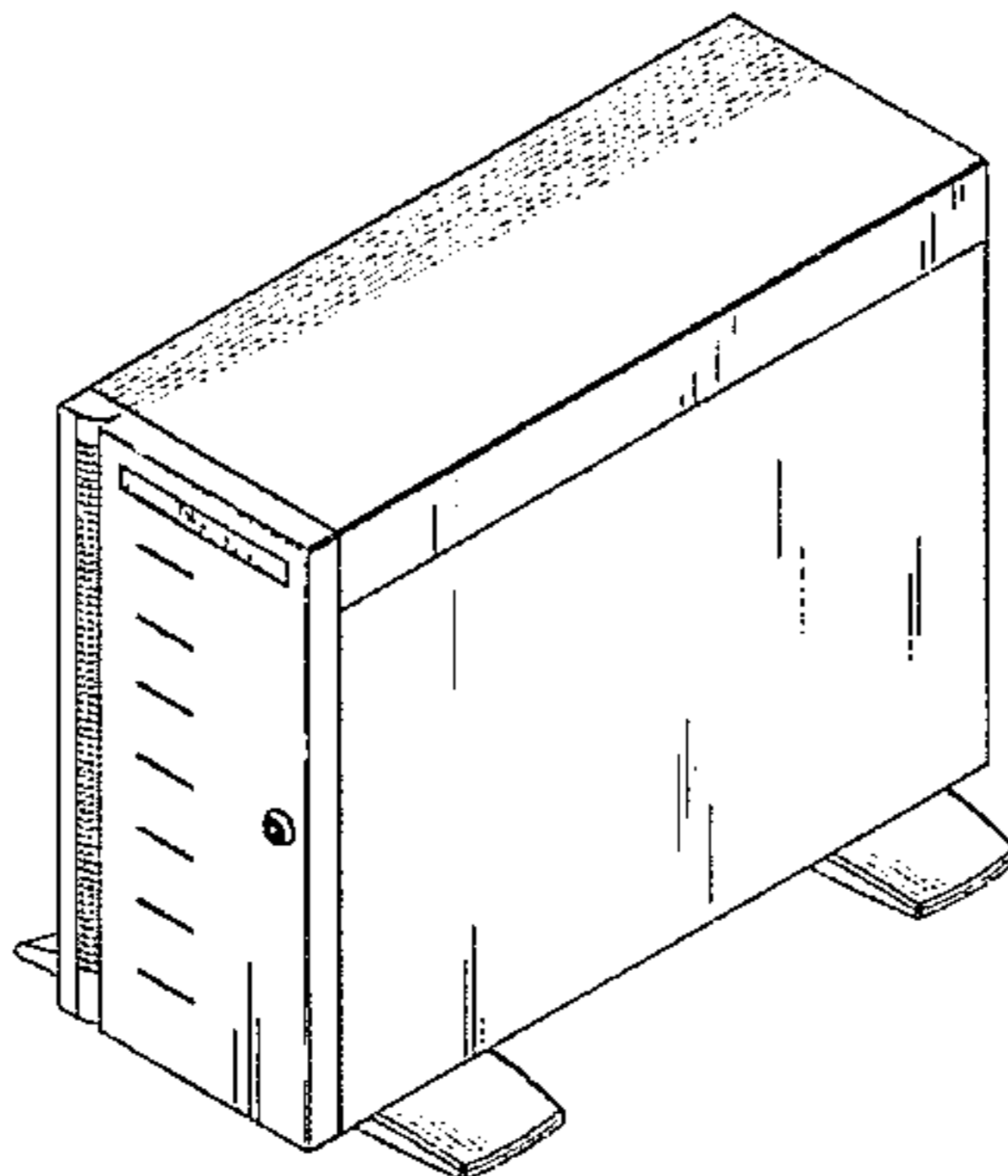
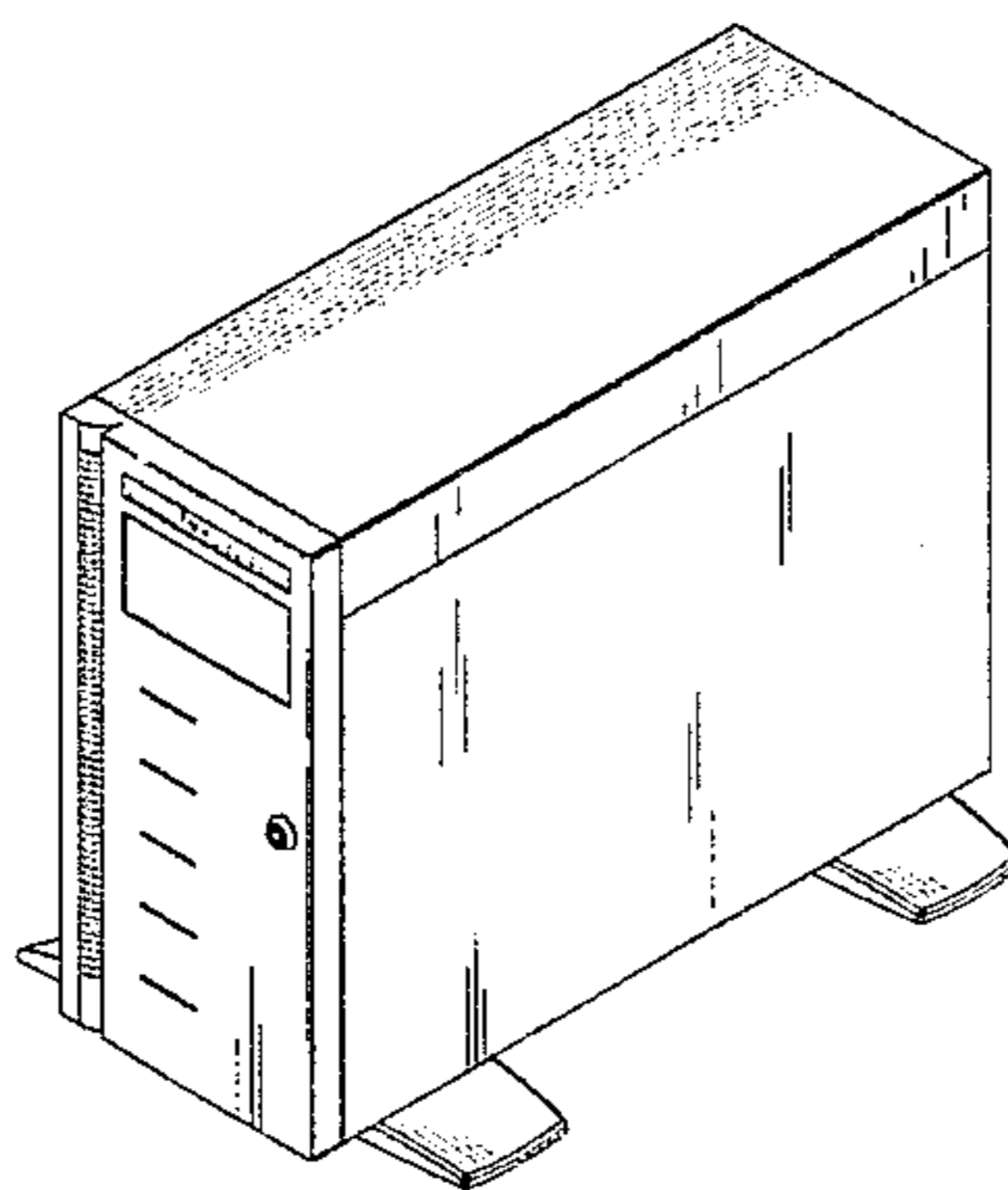
FIG. 5 is a left-side elevational view of the computer housing of FIG. 1;

FIG. 6 is a top plan view of the computer housing of FIG. 1;

FIG. 7 is a bottom plan view of the computer housing of FIG. 1; and,

FIG. 8 is a perspective view of an alternative embodiment of a computer housing in accordance with the present invention, the remaining views being identical to those illustrated in FIGS. 3-7.

1 Claim, 5 Drawing Sheets



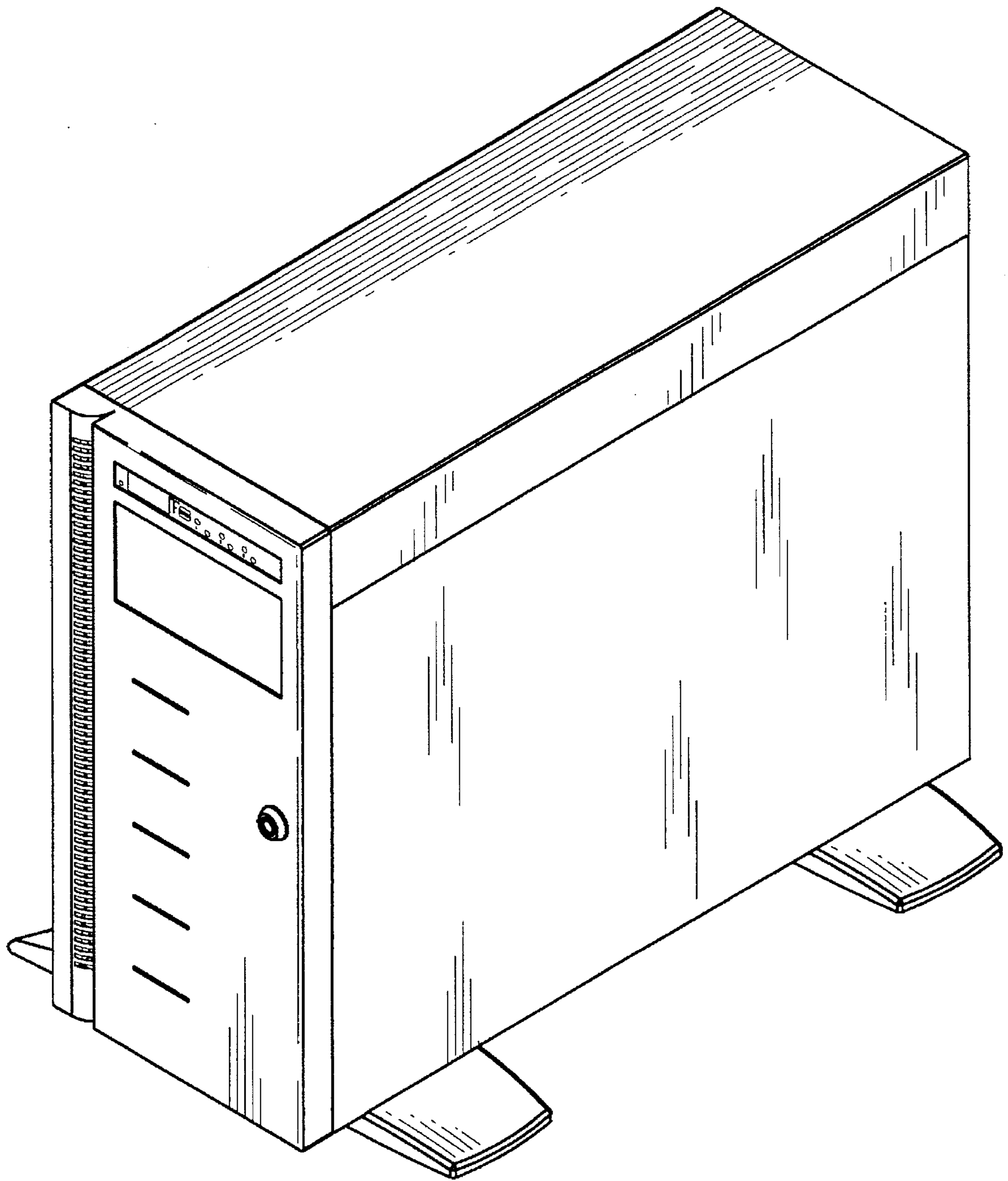


Fig. 1

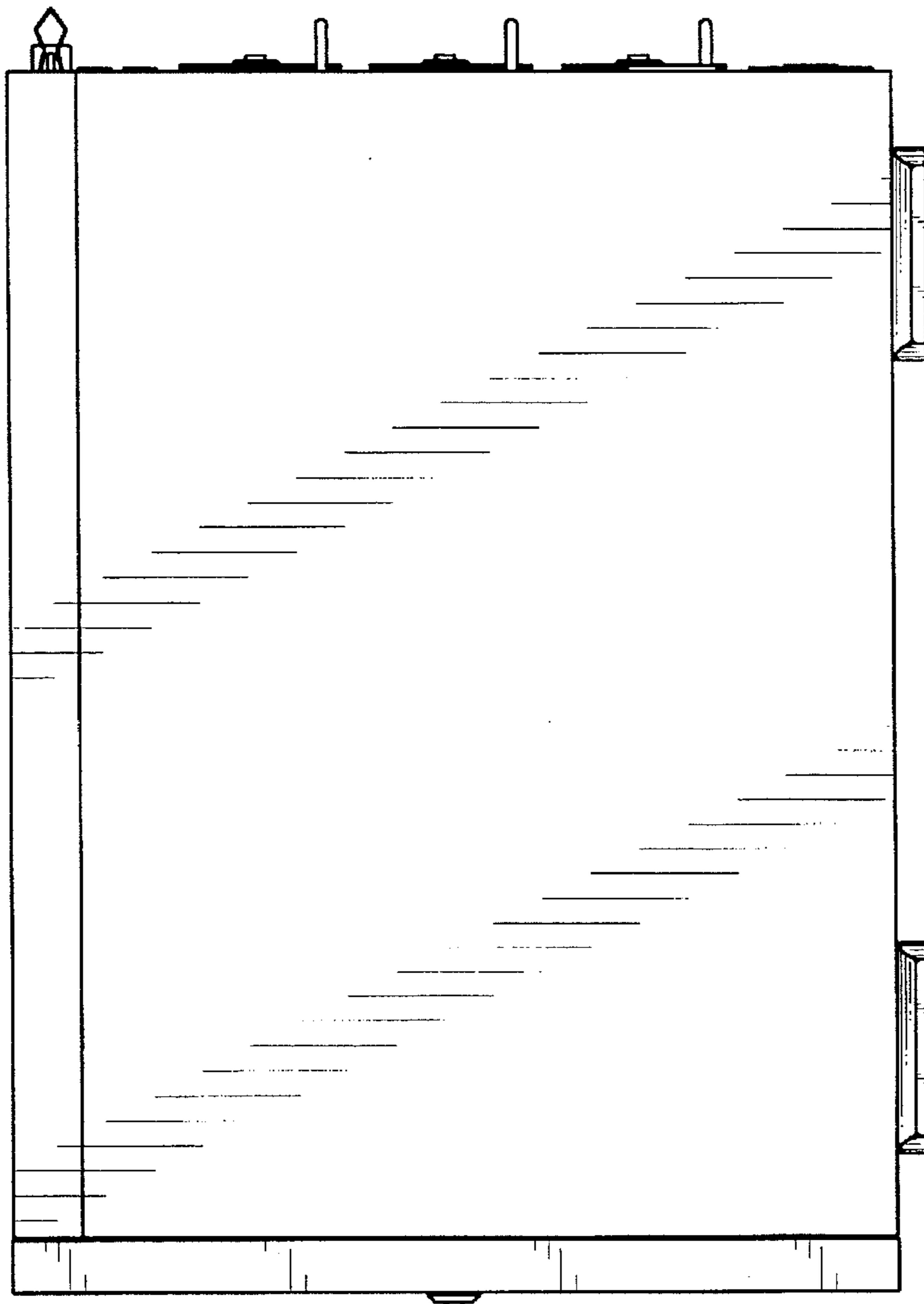


Fig. 3

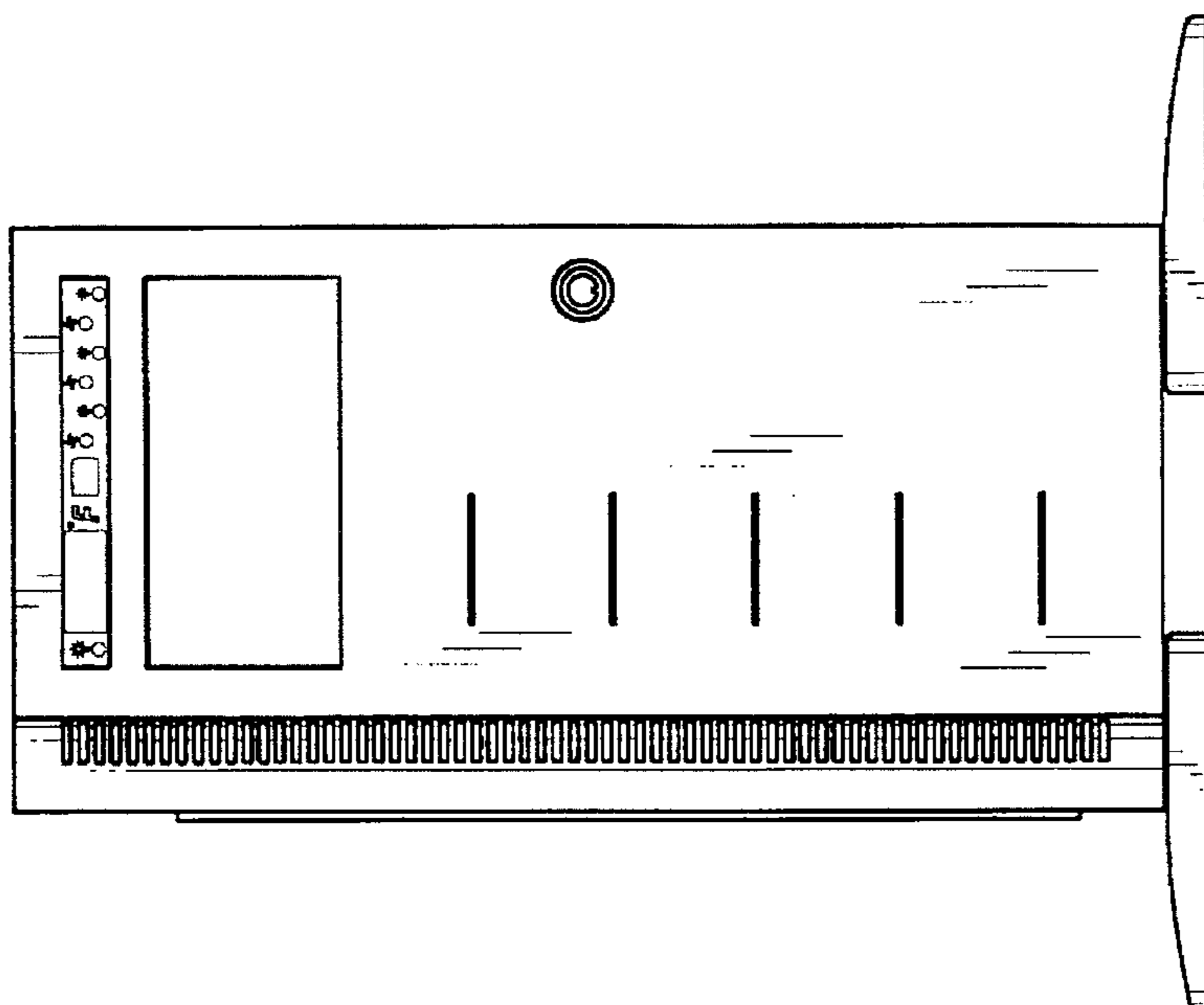


Fig. 2

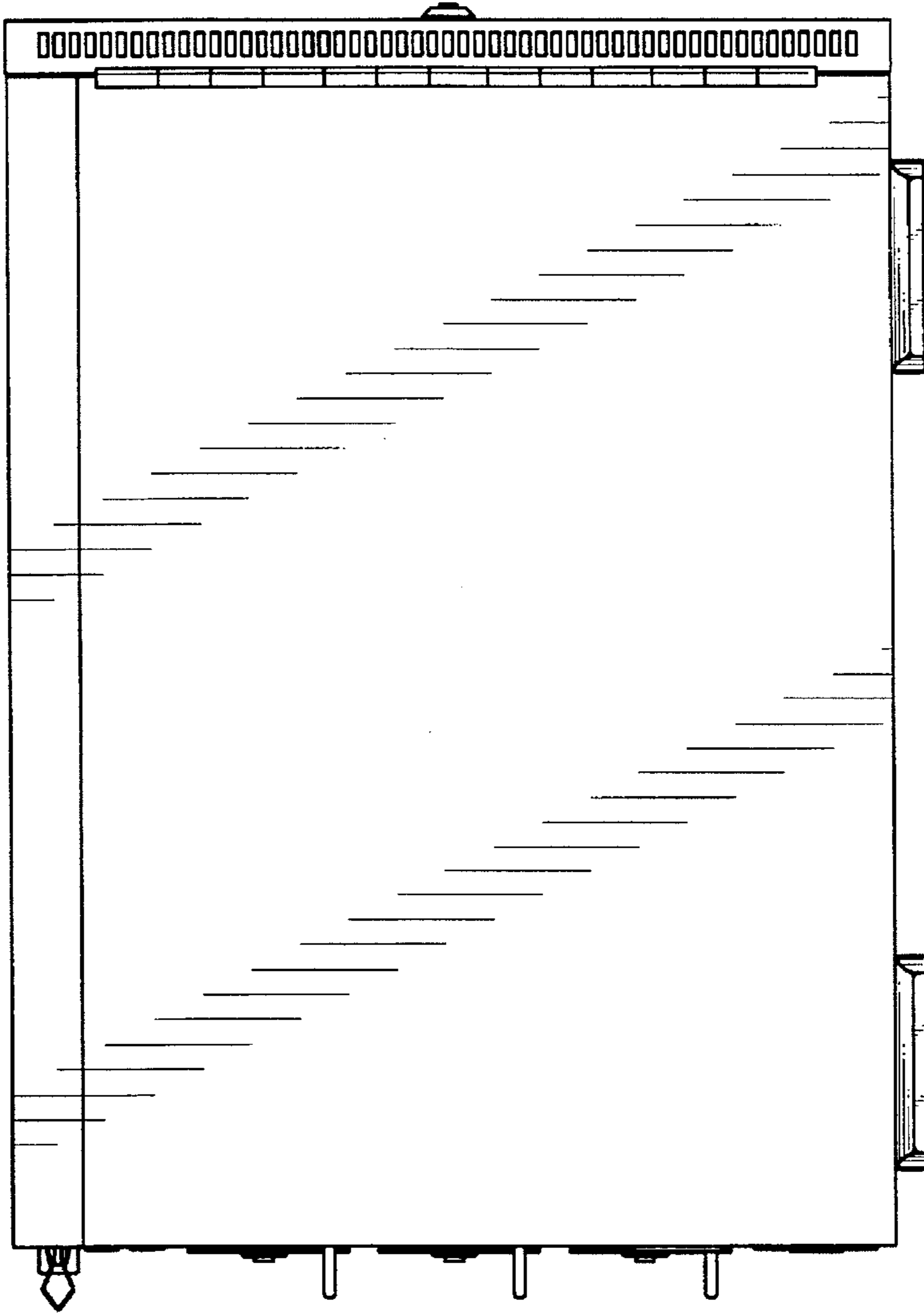


Fig. 5

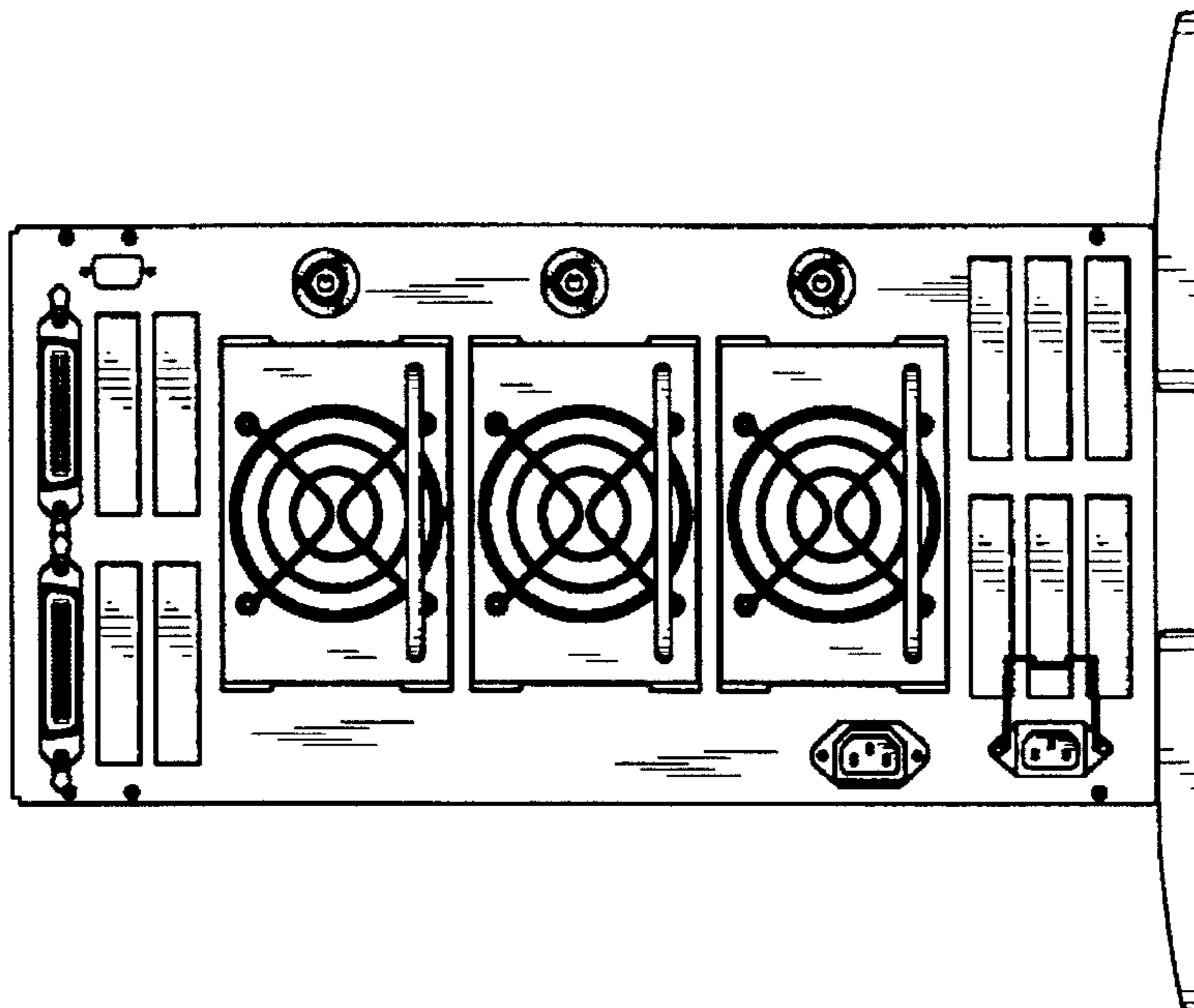


Fig. 4

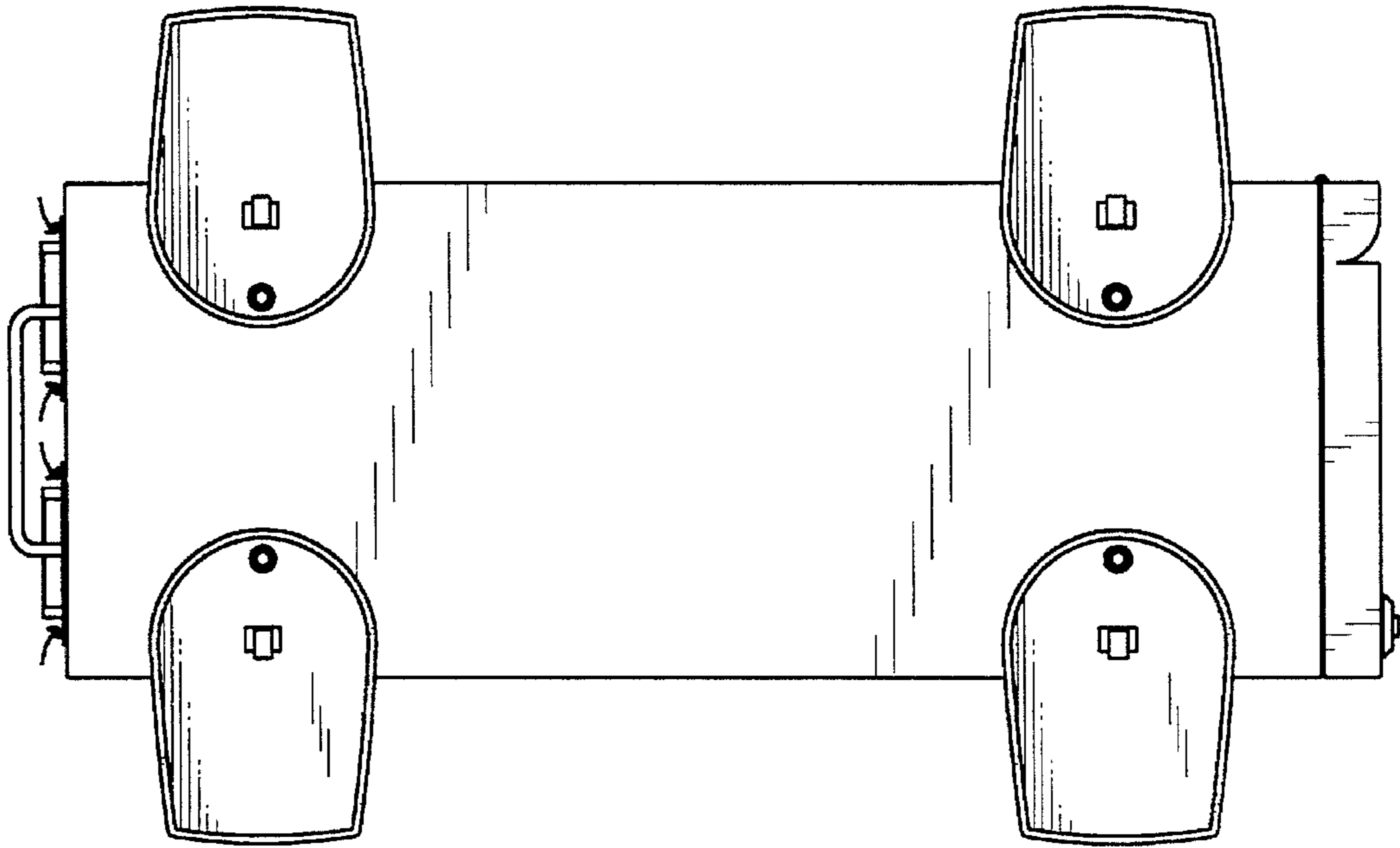


Fig. 7

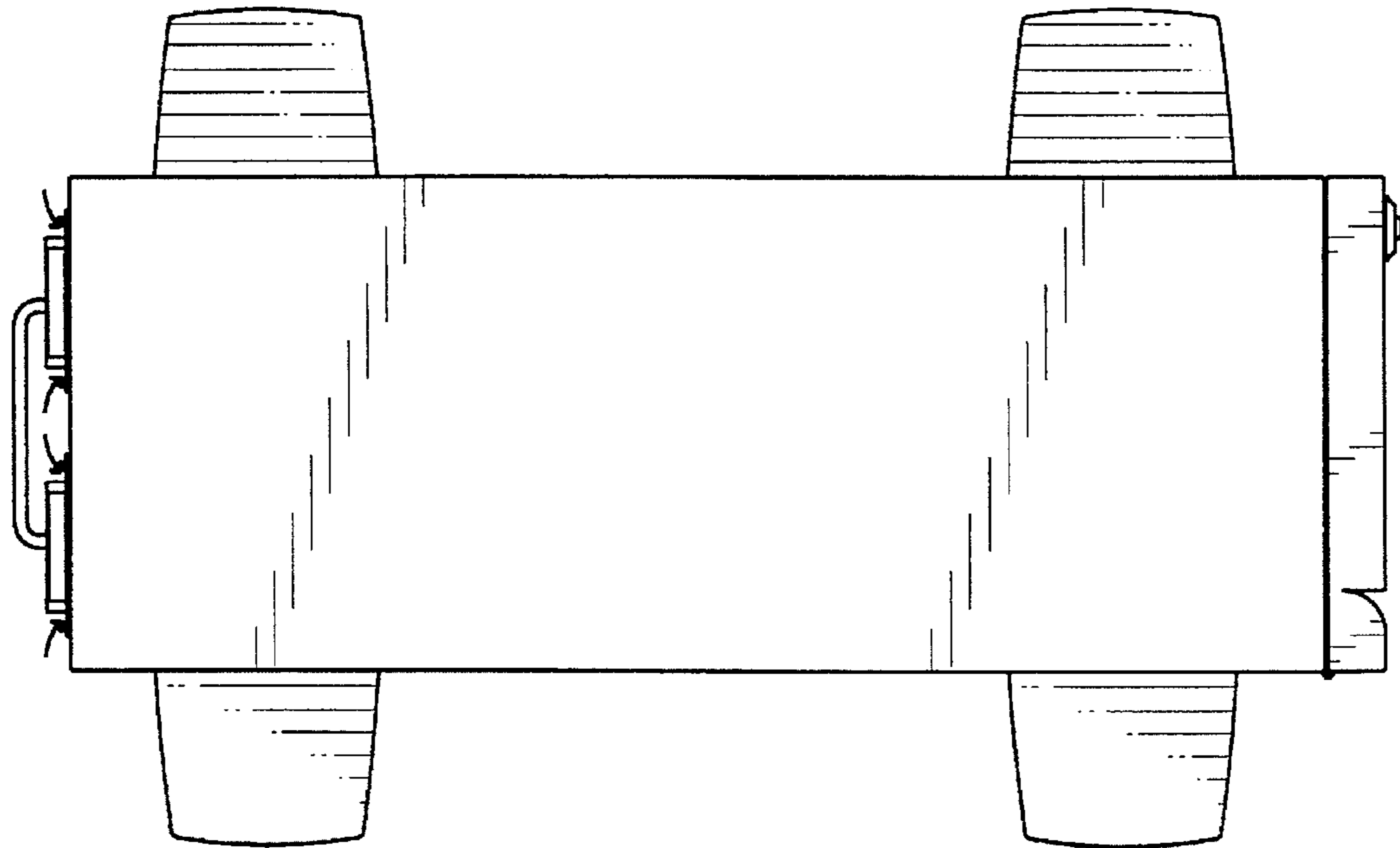


Fig. 6

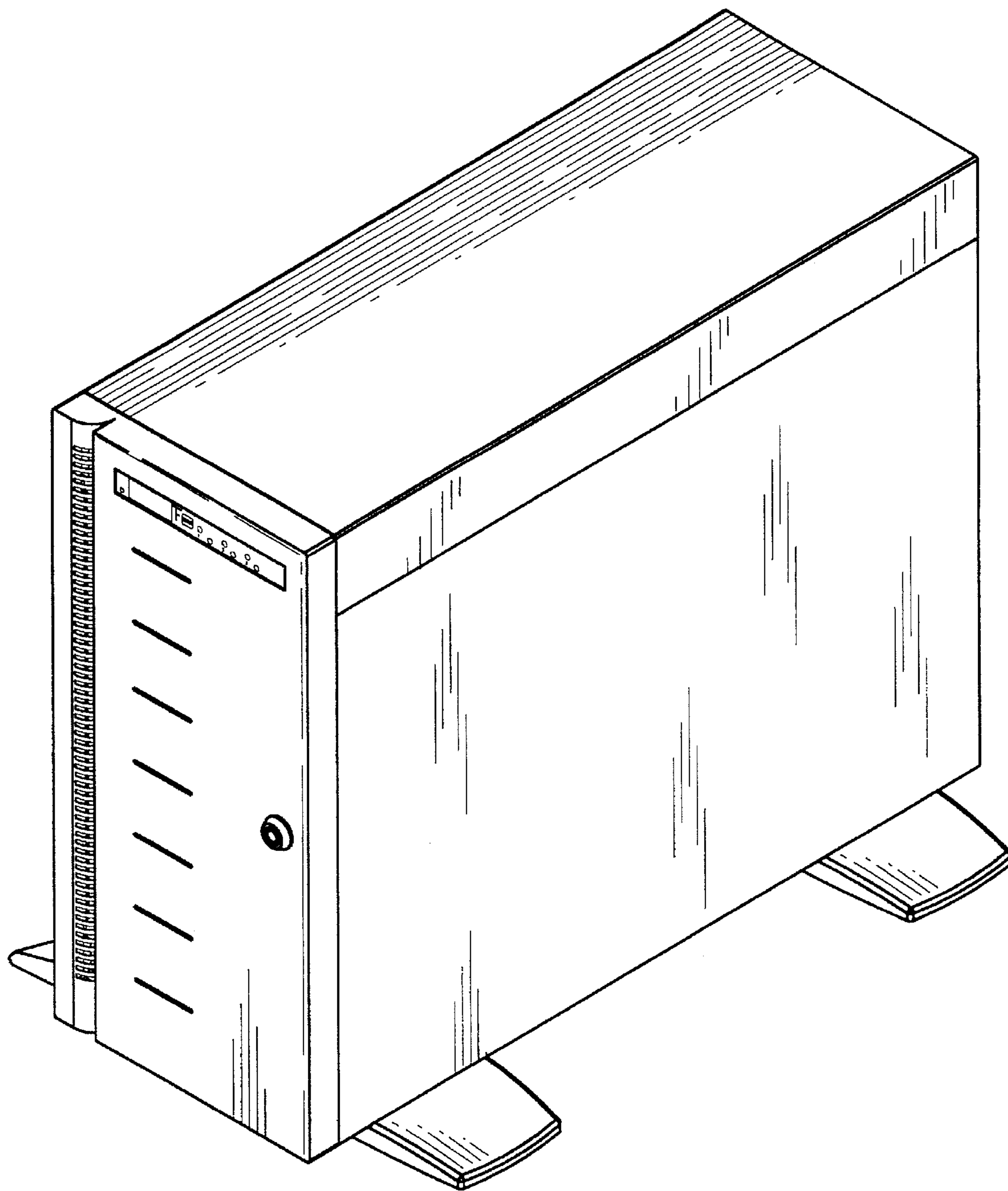


Fig. 8