

US00D379620S

United States Patent [19] Aramaki

[11] Patent Number: **Des. 379,620**

[45] Date of Patent: ****Jun. 3, 1997**

[54] CONNECTOR

[75] Inventor: **Keiji Aramaki**, Tokyo, Japan

[73] Assignee: **Sony Corporation**, Tokyo, Japan

[**] Term: **14 Years**

[21] Appl. No.: **39,997**

[22] Filed: **Jun. 8, 1995**

[30] Foreign Application Priority Data

Dec. 8, 1994 [JP] Japan 6-37334

[51] LOC (6) Cl. **13-03**

[52] U.S. Cl. **D13/147**

[58] Field of Search D13/147; 439/62,
439/76, 78, 82, 83, 248, 562, 571, 607,
608, 609, 610

[56] References Cited

U.S. PATENT DOCUMENTS

D. 318,266 7/1991 Matsuzaki D13/147
D. 326,256 5/1992 Lambert, II et al. D13/147

D. 330,540 10/1992 Tanaka D13/147
D. 362,658 9/1995 Meagher et al. D13/147
D. 367,040 2/1996 Hamada D13/147
4,854,890 8/1989 Nishimura 439/607
5,194,010 3/1993 Dambach et al. 439/79
5,507,657 4/1996 Seto et al. 439/135

Primary Examiner—Joel Sincavage
Attorney, Agent, or Firm—Foley & Lardner

[57] CLAIM

The ornamental design for a connector, as shown and described.

DESCRIPTION

FIG. 1 is a perspective view of the connector showing our new design;
FIG. 2 is a top plan view thereof;
FIG. 3 is a left side elevational view thereof;
FIG. 4 is a front elevational view thereof;
FIG. 5 is a right side elevational view thereof;
FIG. 6 is a rear elevational view thereof; and,
FIG. 7 is a bottom plan view thereof.

1 Claim, 3 Drawing Sheets

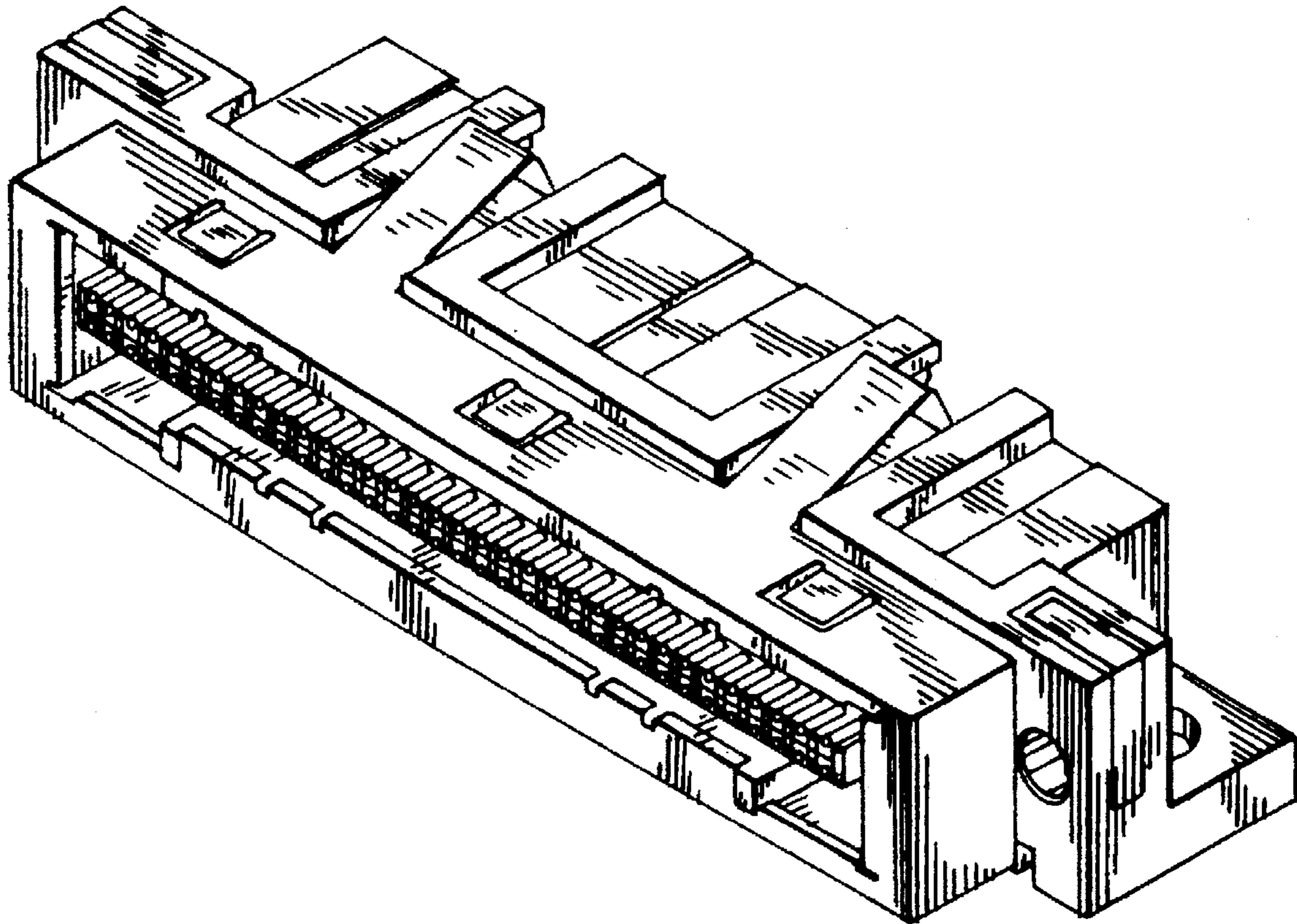


FIG. 1

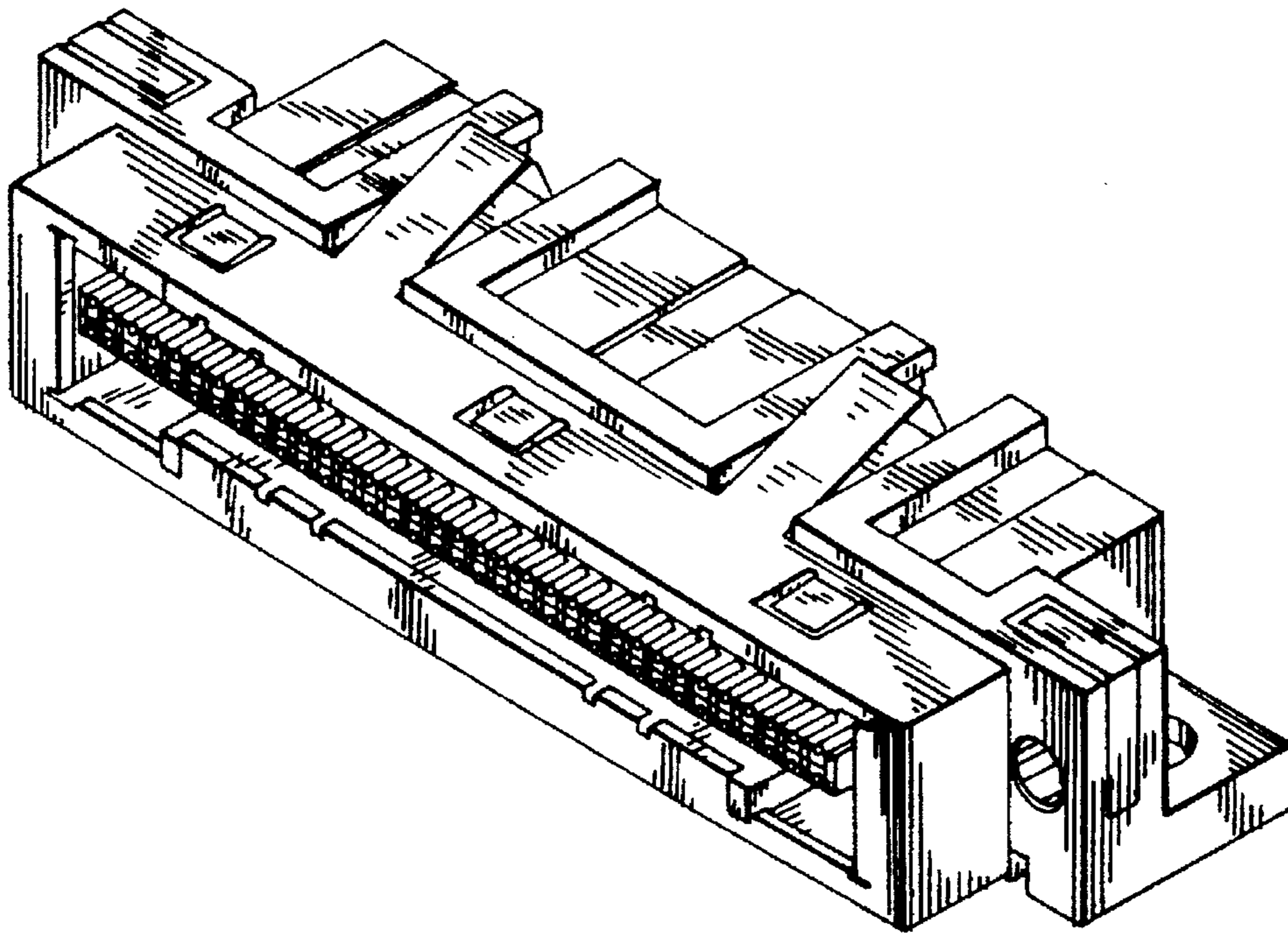


FIG. 2

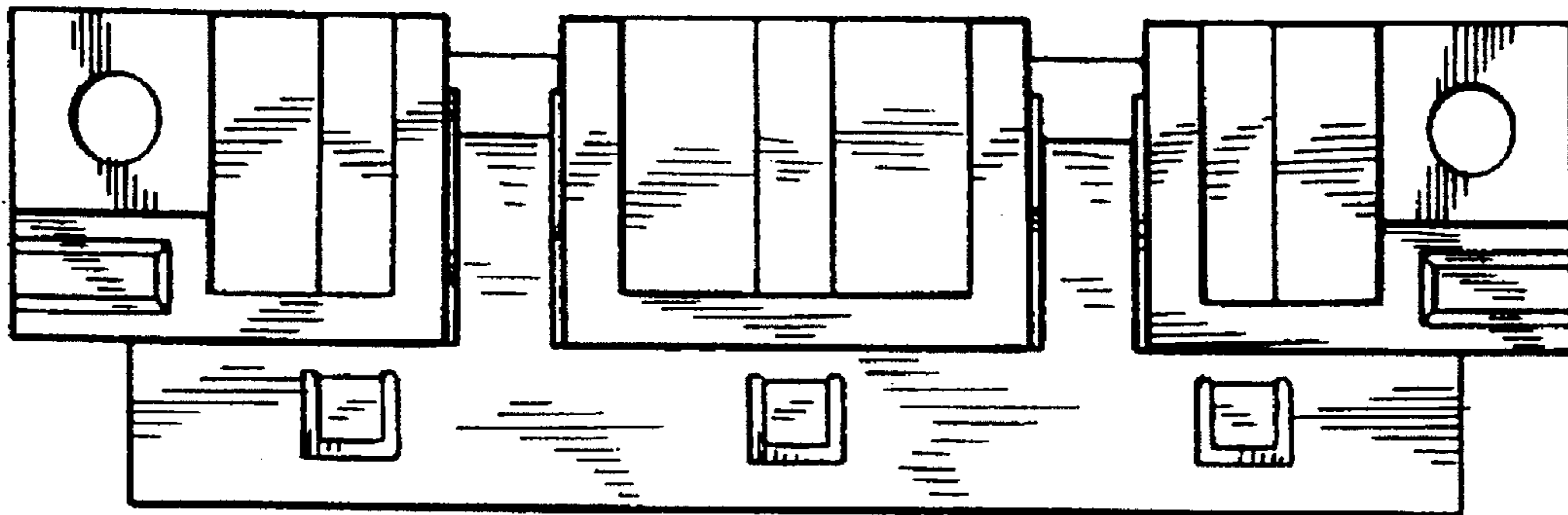


FIG. 3

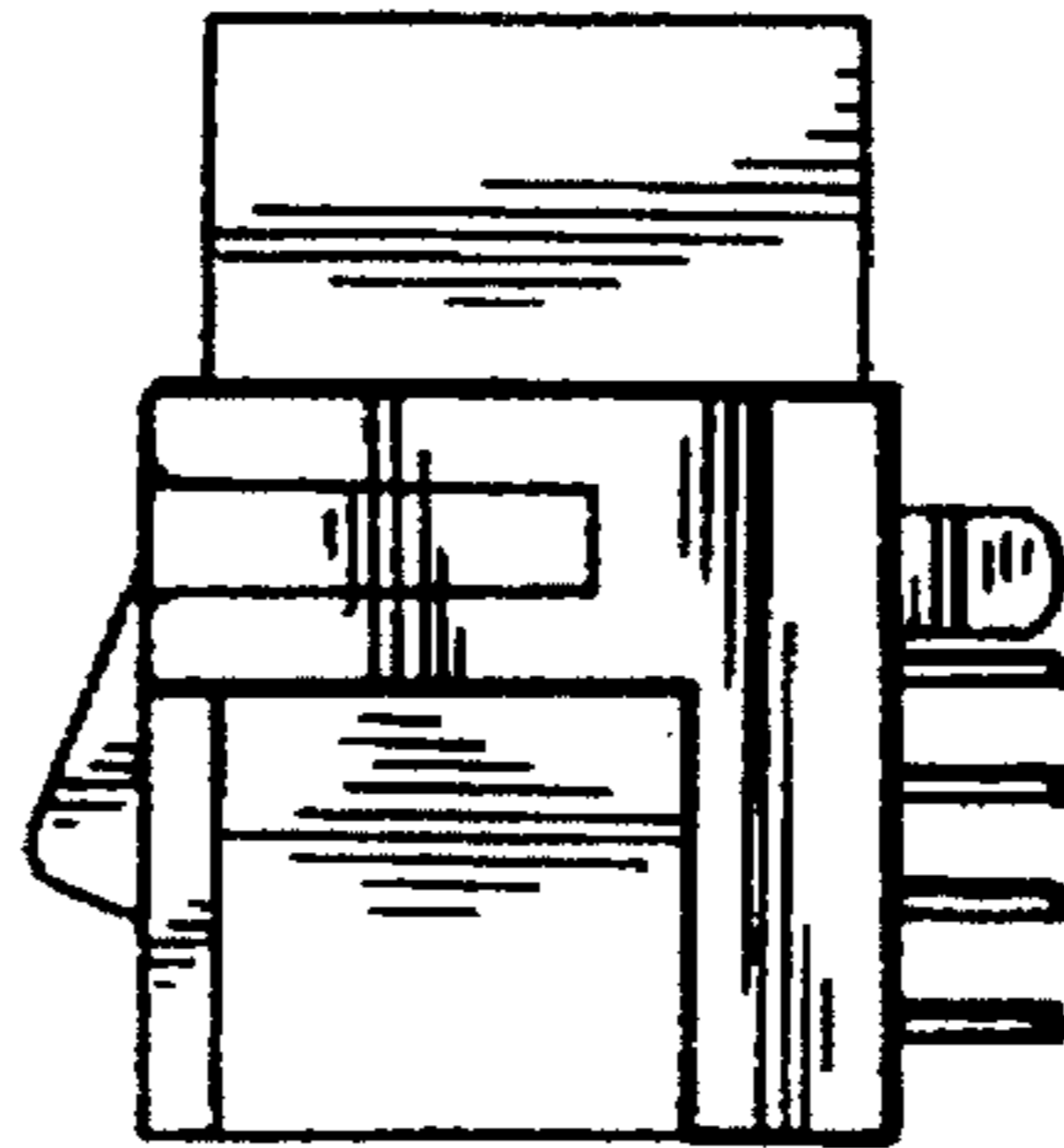


FIG. 4

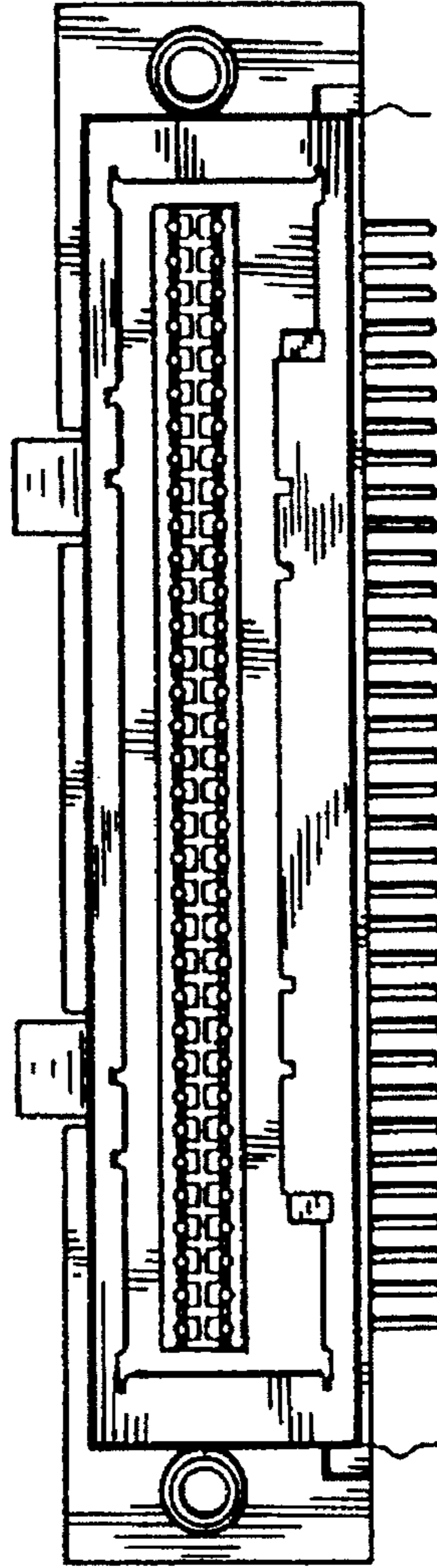


FIG. 5

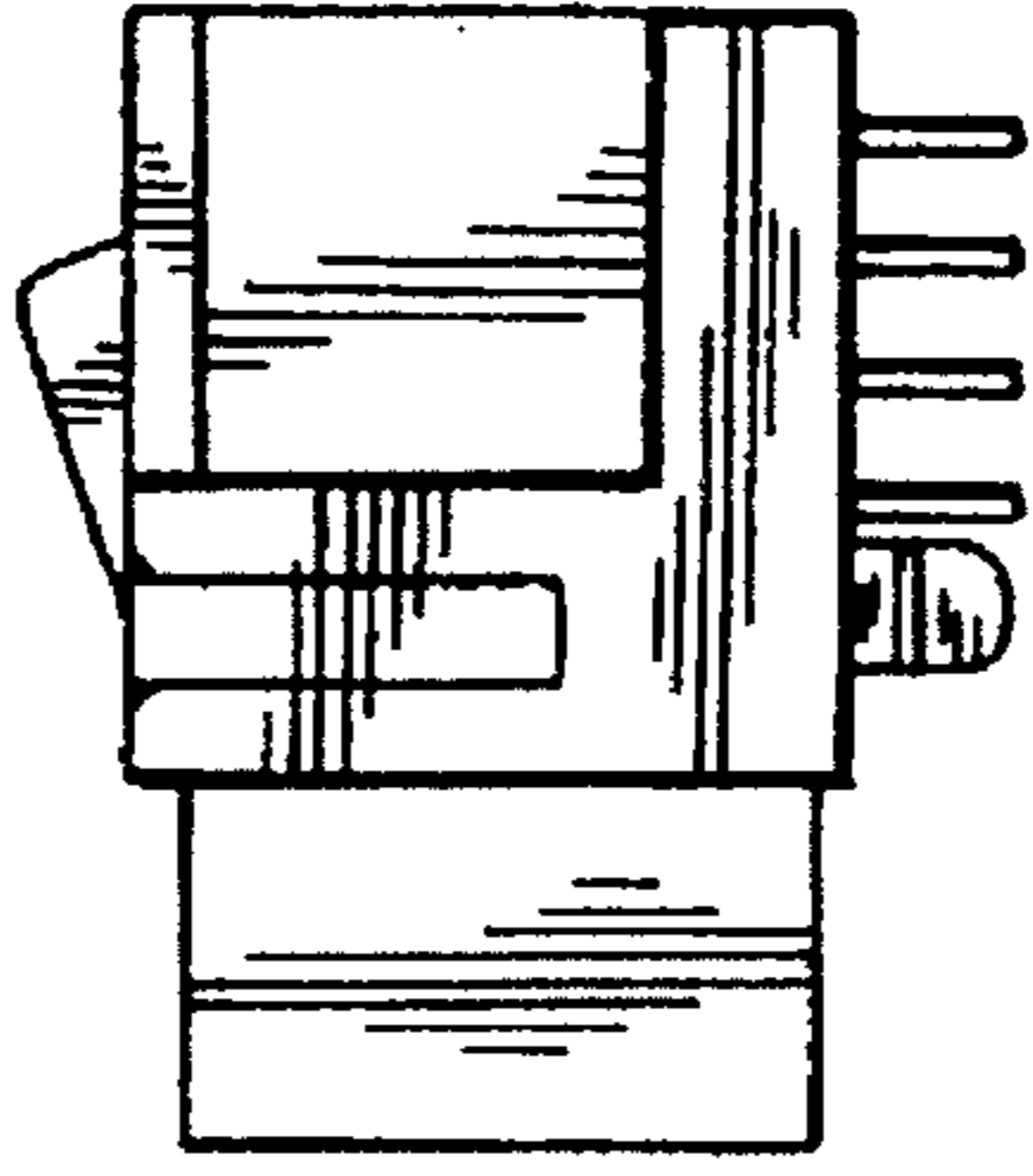


FIG. 6

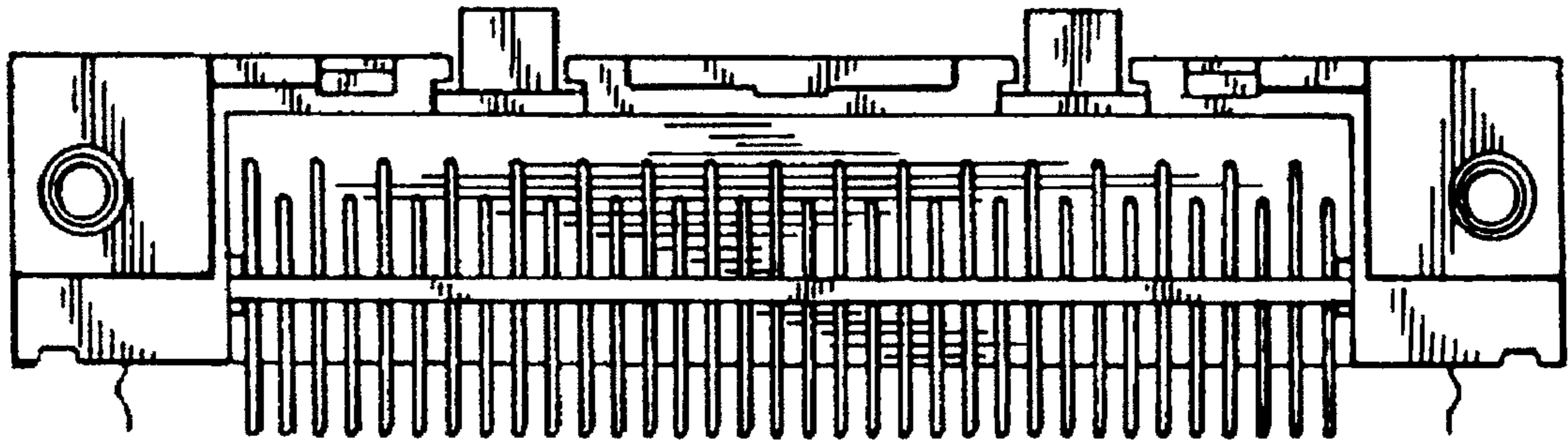


FIG. 7

