



US00D379619S

United States Patent [19]

Muller et al.

[11] Patent Number: **Des. 379,619**

[45] Date of Patent: ****Jun. 3, 1997**

[54] **ADAPTOR**

[75] Inventors: **Ronald L. Muller**, Norwalk; **Duane D. Adams**, Deep River, both of Conn.

[73] Assignee: **Philips Electronics North America Corporation**, New York, N.Y.

[**] Term: **14 Years**

[21] Appl. No.: **45,029**

[22] Filed: **Oct. 6, 1995**

[51] LOC (6) Cl. **13-03**

[52] U.S. Cl. **D13/139**

[58] Field of Search **D13/138, 139, D13/141, 143; 439/173, 476, 483, 628**

[56] **References Cited**

U.S. PATENT DOCUMENTS

- D. 237,889 12/1975 Lawrence et al. D13/138
- D. 243,244 2/1977 Creamer D13/138
- D. 244,297 5/1977 Stropkay D13/138

- D. 281,681 12/1985 Kaufman D13/133
- D. 292,700 11/1987 Rauch D13/139
- D. 332,251 1/1993 Meinel D13/138
- 4,013,330 3/1977 Hugly 339/31 R
- 4,626,052 12/1986 Rumble 339/31 M
- 4,973,827 11/1990 Nozaki 439/173 X
- 5,106,317 4/1992 Taylor 439/173
- 5,451,173 9/1995 Mai 439/622

Primary Examiner—Joel Sincavage
Attorney, Agent, or Firm—Jack E. Haken

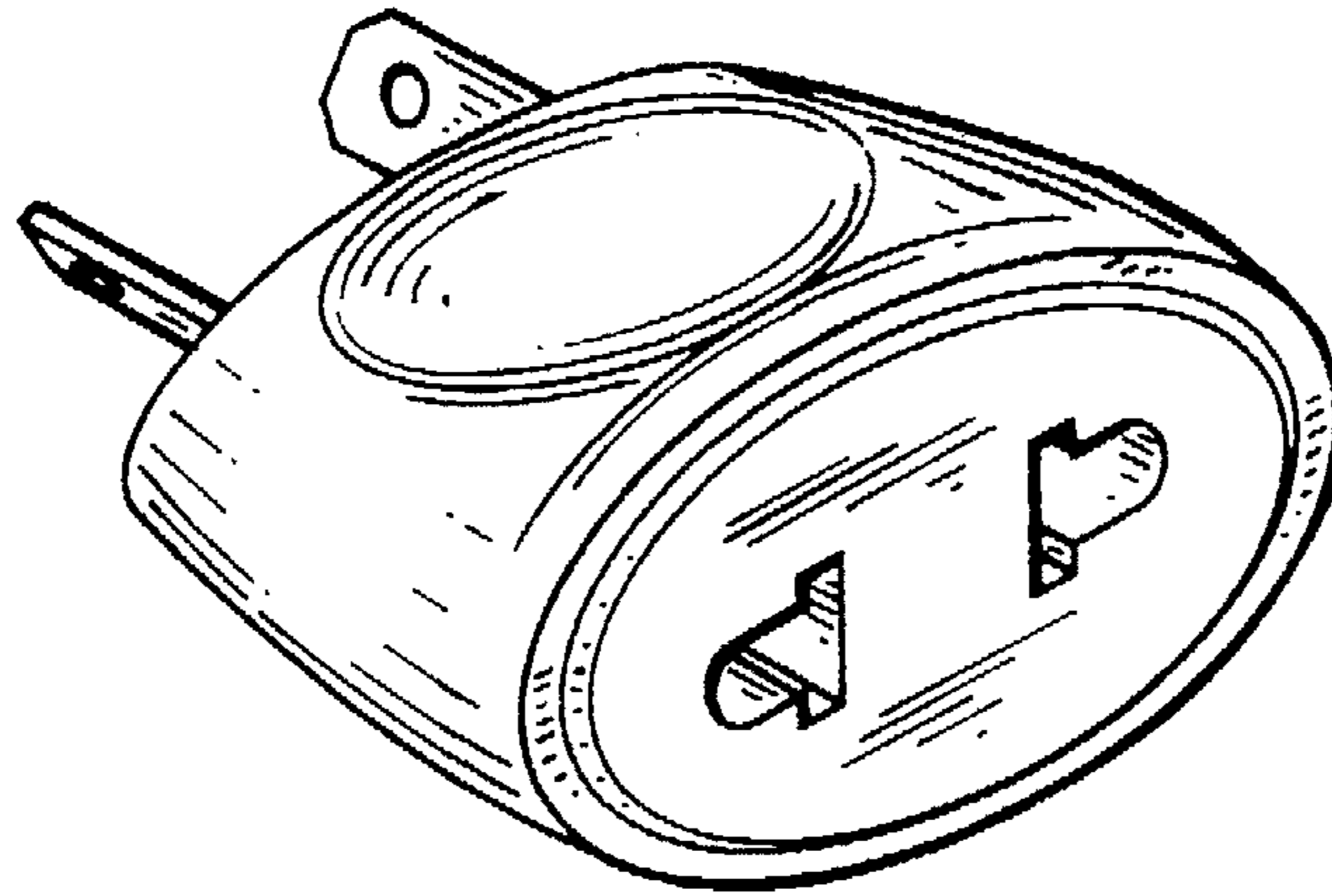
[57] **CLAIM**

The ornamental design for a adaptor, as shown.

DESCRIPTION

FIG. 1 is a front left side, top perspective view showing our new design;
 FIG. 2 is a front elevational view thereof;
 FIG. 3 is a rear elevational view thereof;
 FIG. 4 is a bottom view thereof;
 FIG. 5 is a top view thereof; and,
 FIG. 6 is a left side view thereof.

1 Claim, 2 Drawing Sheets



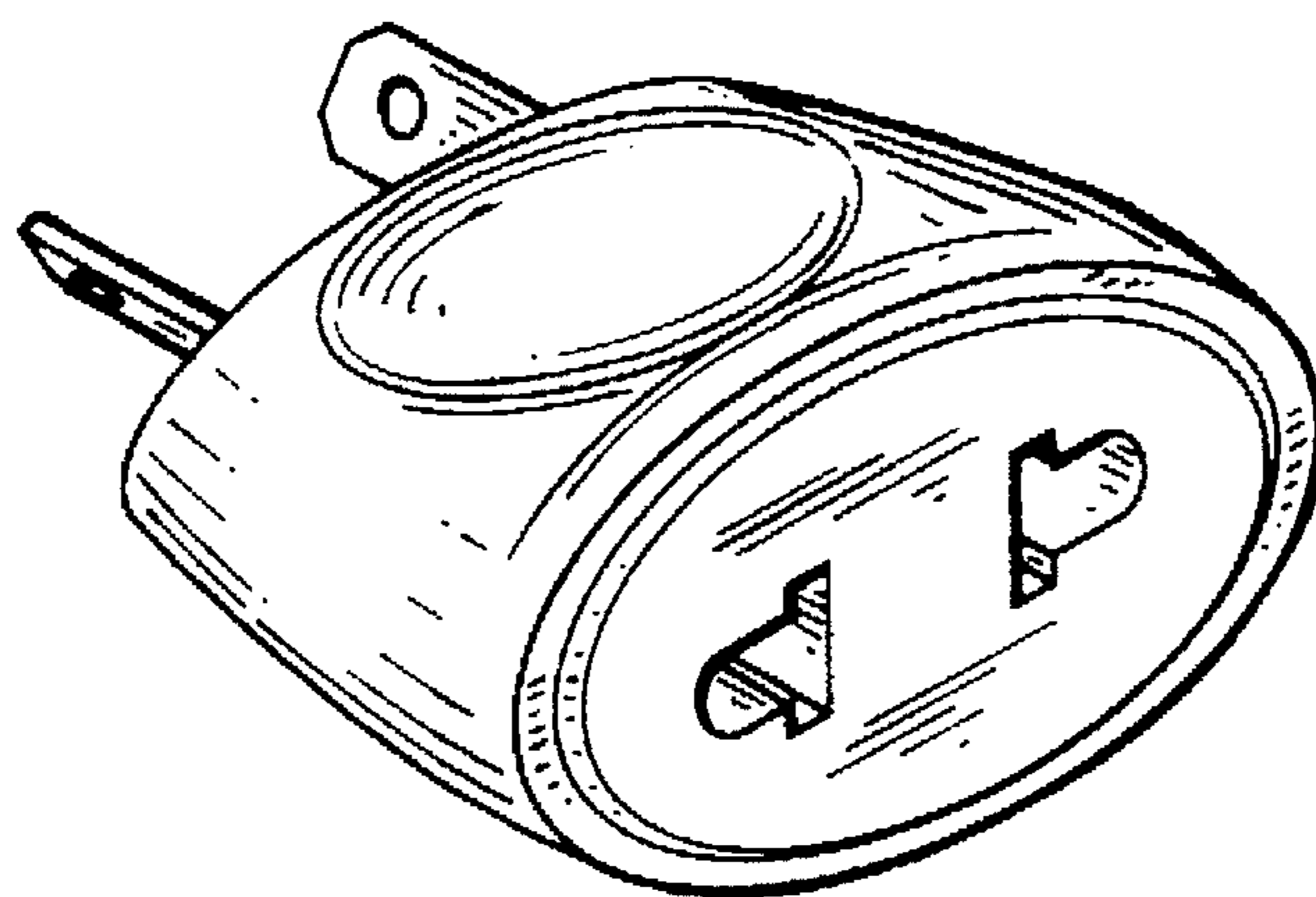


FIG. 1

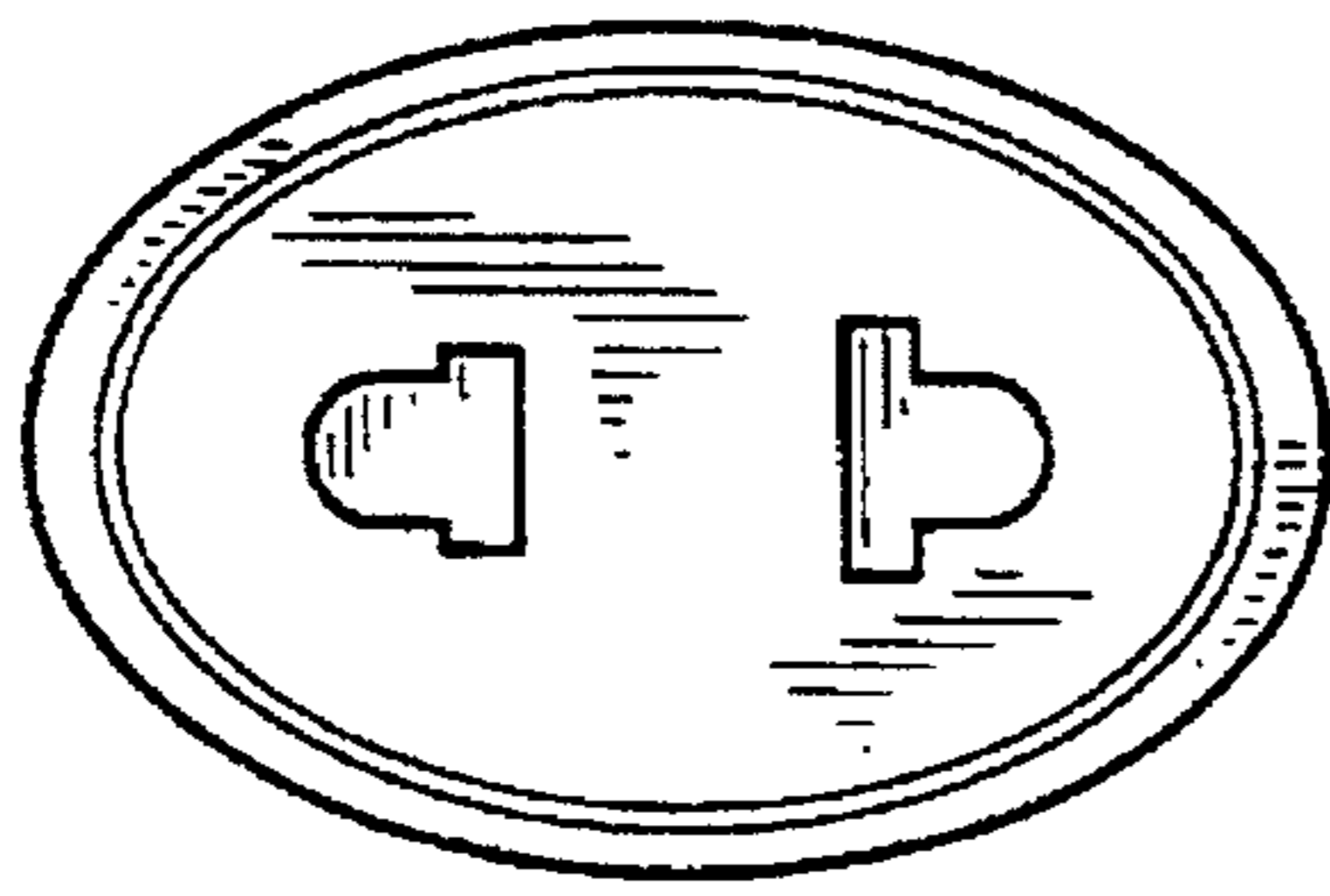


FIG. 2

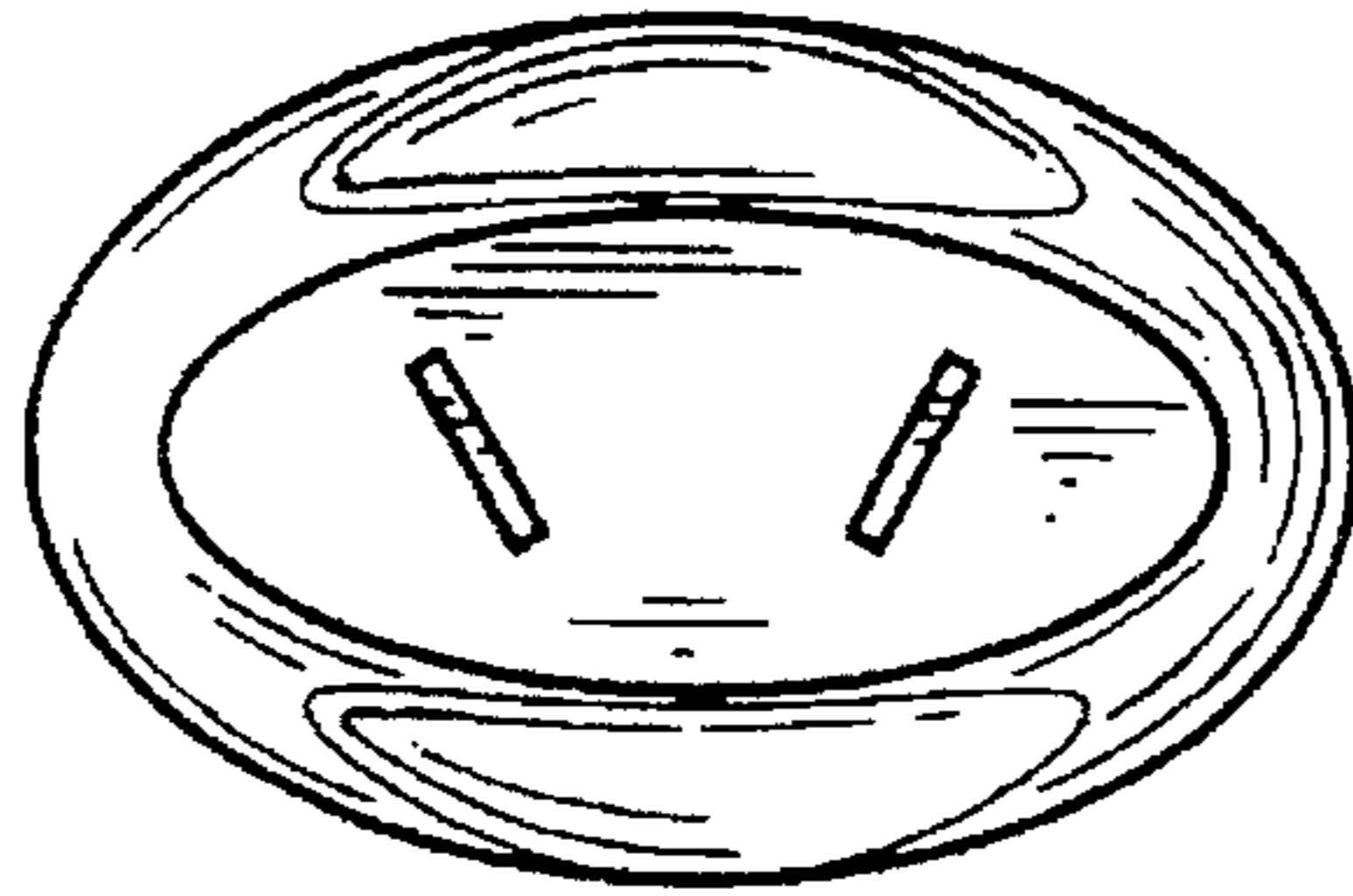


FIG. 3

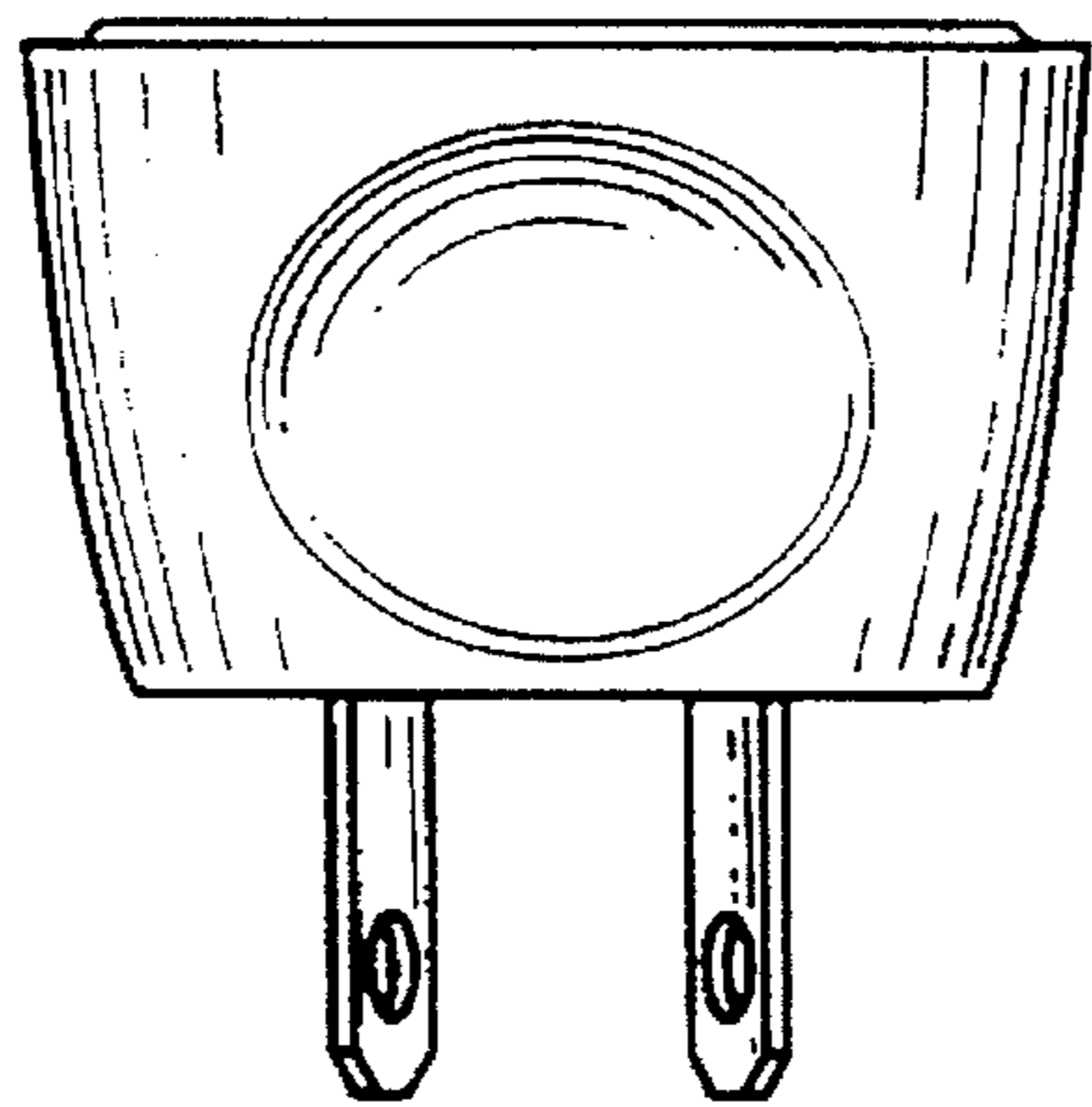


FIG. 4

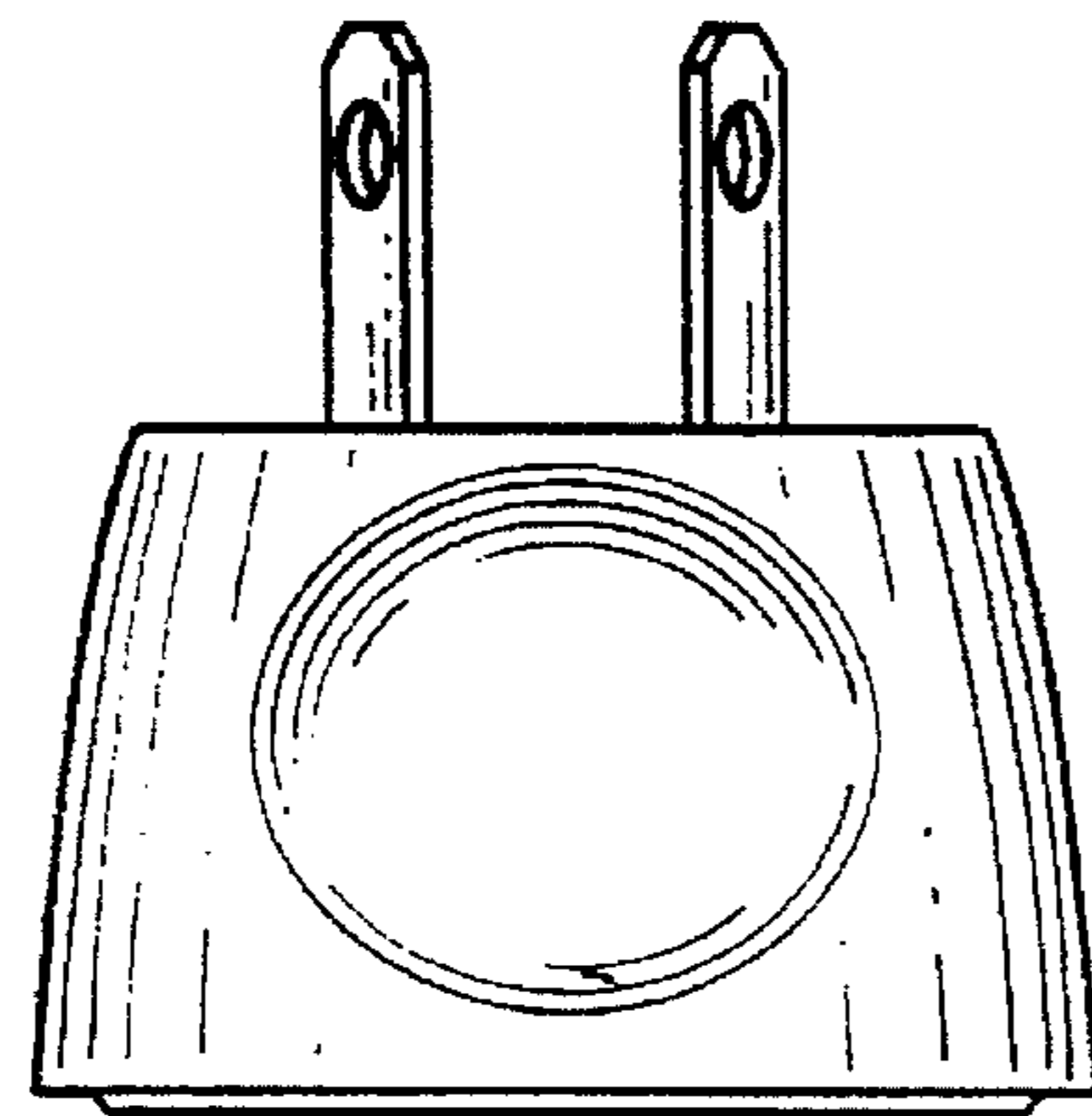


FIG. 5

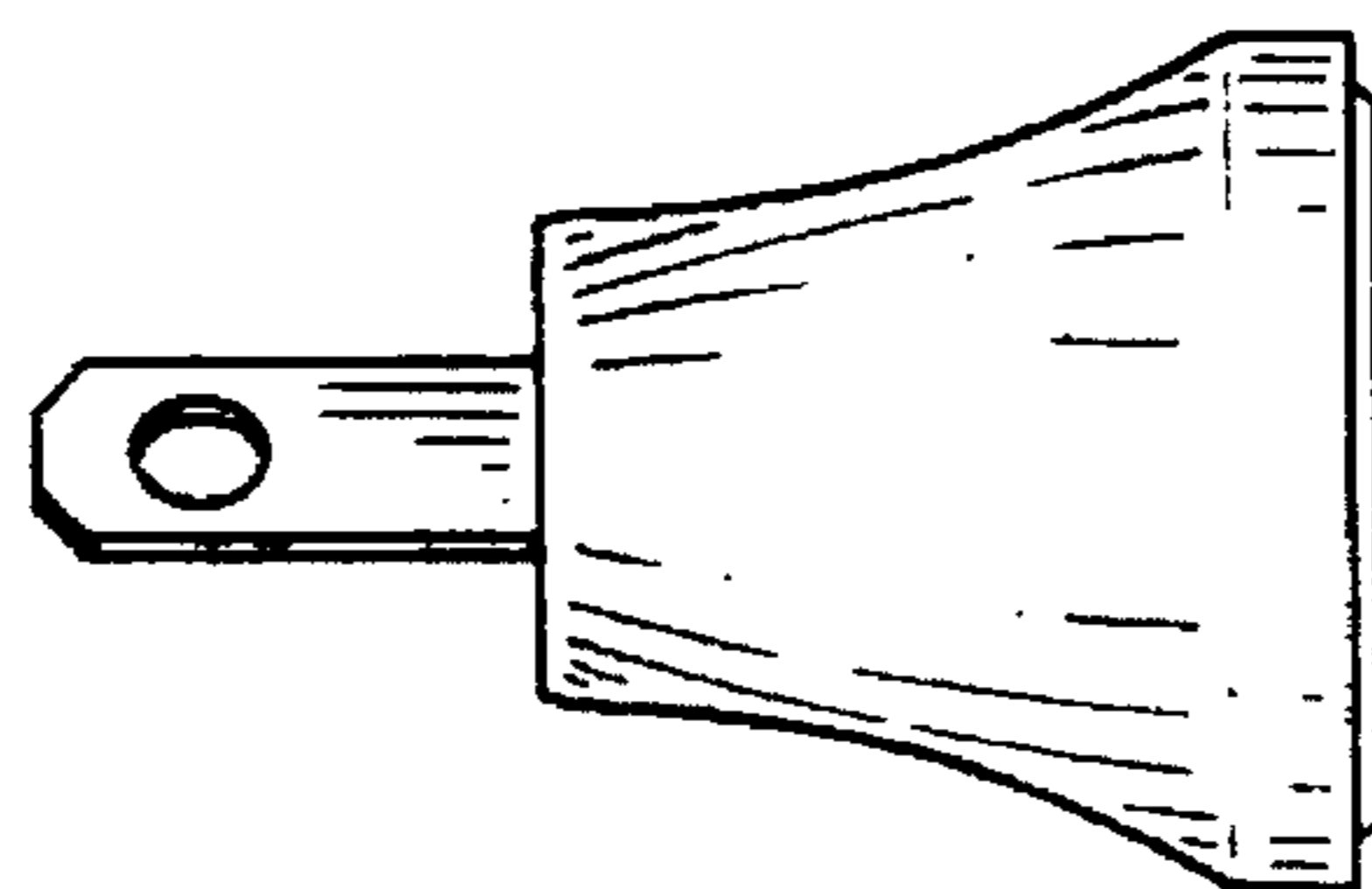


FIG. 6