



US00D379616S

# United States Patent [19]

Hellhake et al.

[11] Patent Number: **Des. 379,616**

[45] Date of Patent: **\*\*Jun. 3, 1997**

[54] **VEHICLE CABINET**

[75] Inventors: **Ferdinand F. Hellhake**, Beaverton;  
**Mark S. Hurayt**, Aloha; **Joachim Paschke**, Portland, all of Oreg.

[73] Assignee: **Freightliner Corporation**, Portland, Oreg.

[\*\*] Term: **14 Years**

[21] Appl. No.: **52,806**

[22] Filed: **Apr. 9, 1996**

[51] LOC (6) Cl. .... **12-16**

[52] U.S. Cl. .... **D12/423; D12/415; D12/418**

[58] Field of Search ..... **D12/420-426;**  
**296/24.1, 37.1, 37.6, 37.8, 37.13-37.16;**  
**224/402, 543, 542; 312/213, 7.2, 324, 326,**  
**223.1, 237; D9/432; D3/201, 272; D6/446,**  
**436, 466, 445**

[56] **References Cited**

**U.S. PATENT DOCUMENTS**

D. 38,063	6/1906	Burr	.....	D6/445
D. 60,108	12/1921	Romadka	.....	D3/272
D. 125,292	2/1941	Shell	.....	D6/436
D. 204,502	4/1966	Latham et al.	.....	D9/432
D. 324,303	3/1992	Miller	.....	D12/424
D. 328,085	7/1992	Harry	.....	D12/424
D. 329,541	9/1992	Giblet	.....	D3/272

D. 362,838	10/1995	Price	.....	D12/424
D. 368,604	4/1996	Gotham et al.	.....	D6/436
3,773,378	11/1973	Lewis	.....	224/402
4,927,200	5/1990	Wilkins	.....	296/37.8

**FOREIGN PATENT DOCUMENTS**

2951980	7/1981	Germany	.....	296/37.14
3-276832	12/1991	Japan	.....	296/37.8
217433	6/1924	United Kingdom	.....	296/37.1

*Primary Examiner*—Doris V. Coles  
*Assistant Examiner*—Gregory Andoll  
*Attorney, Agent, or Firm*—Klarquist Sparkman Campbell  
Leigh & Whinston

[57] **CLAIM**

The ornamental design for a vehicle cabinet, as shown and described.

**DESCRIPTION**

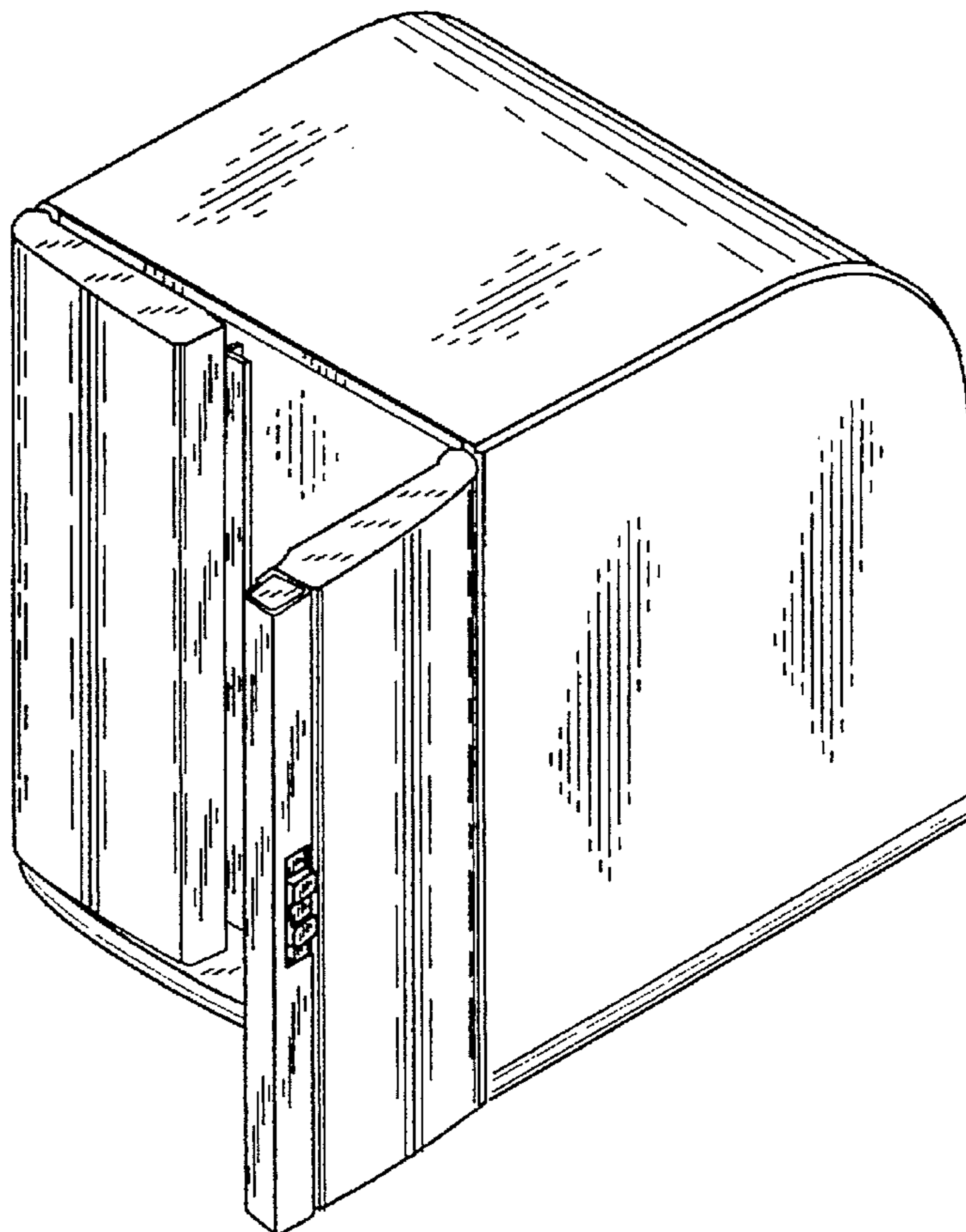
FIG. 1 is a perspective view of the vehicle cabinet of the present invention looking from the upper left;

FIG. 2 is a perspective view of the vehicle cabinet exterior surface of FIG. 1 looking from the upper right in this figure with one of the doors shown open; and,

FIG. 3 is bottom view of the vehicle cabinet exterior surface of FIG. 1.

The rear of the vehicle cabinet is plain and unornamented and forms no part of the claimed design.

**1 Claim, 1 Drawing Sheet**



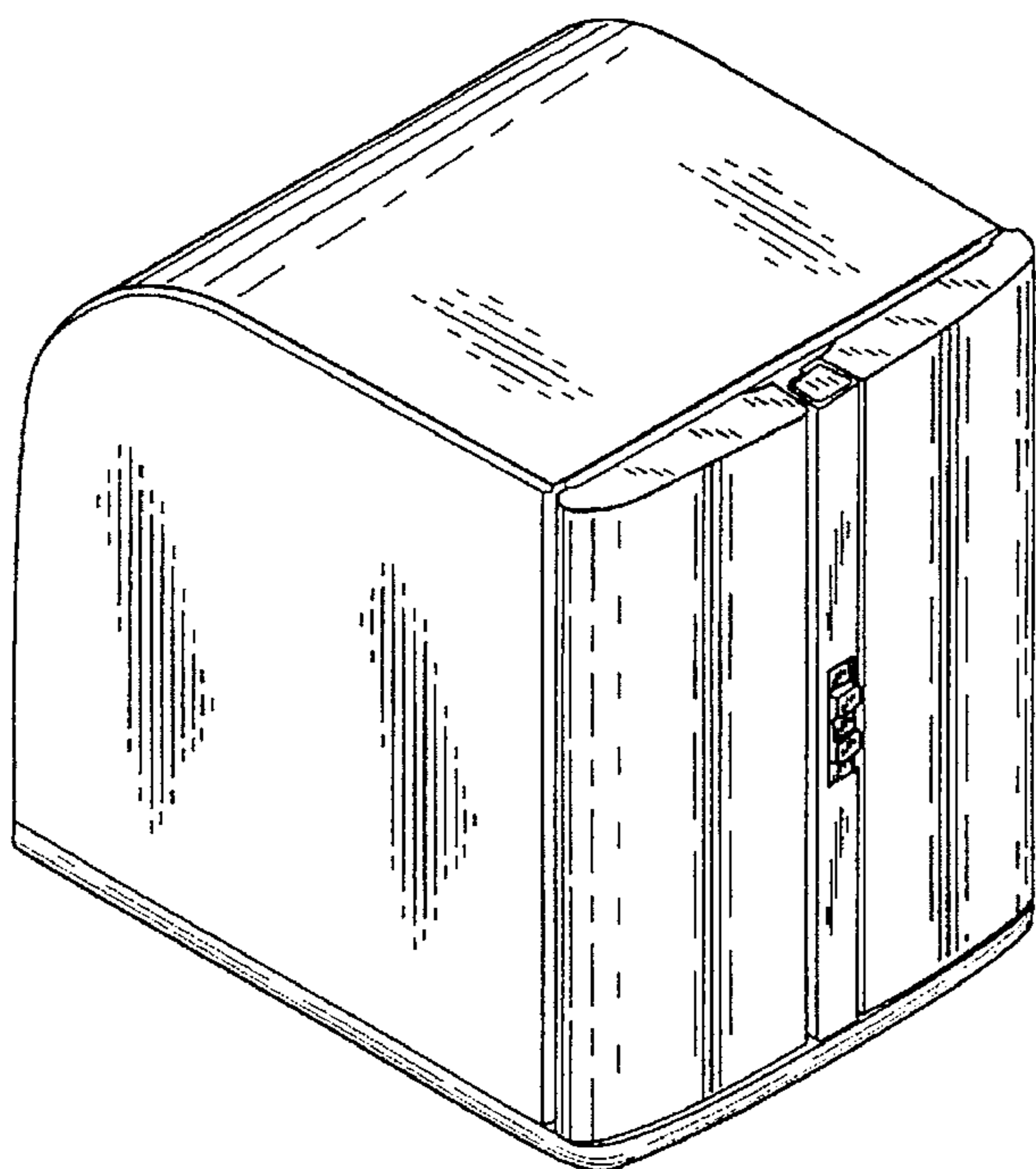


FIG. 1

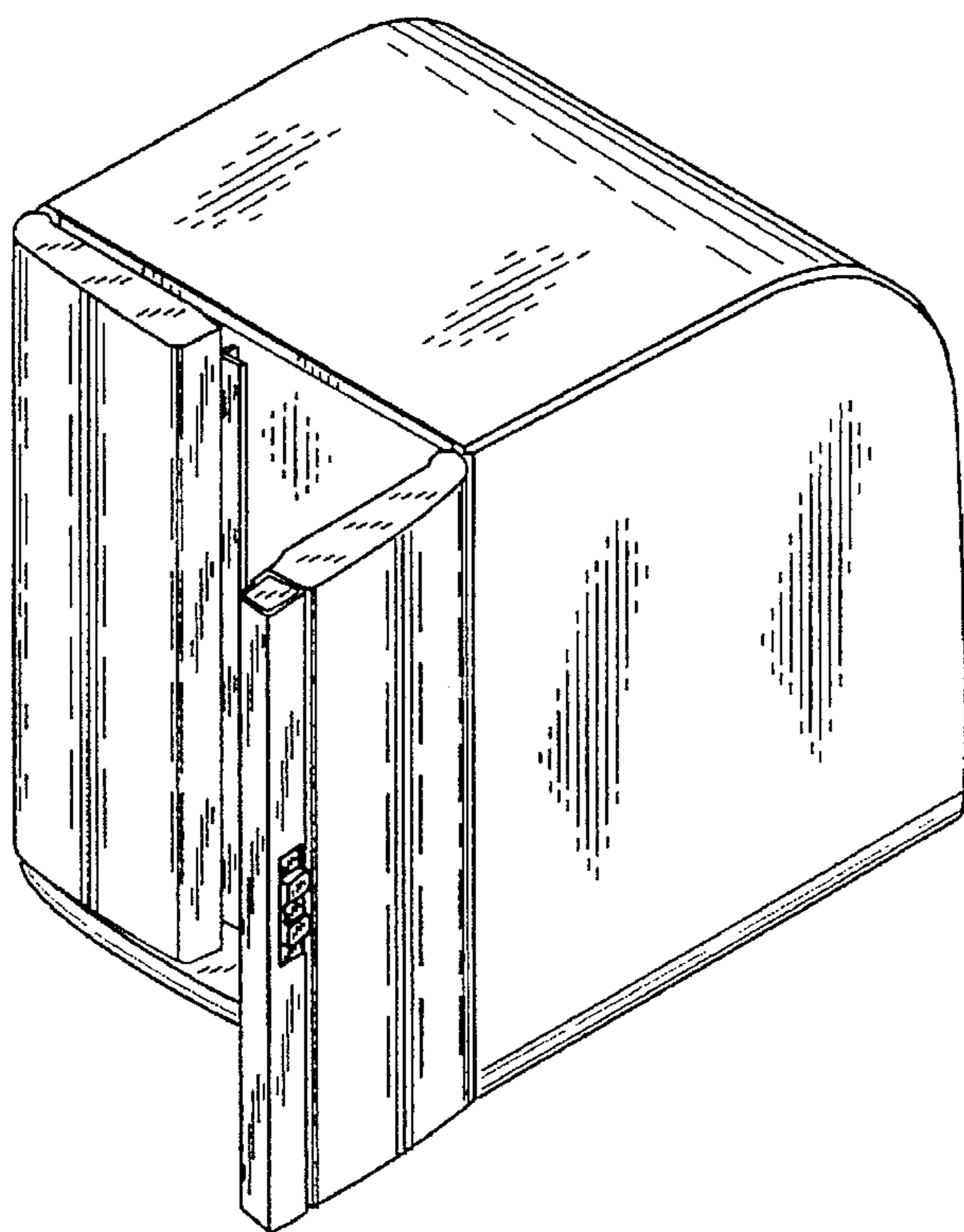


FIG. 2

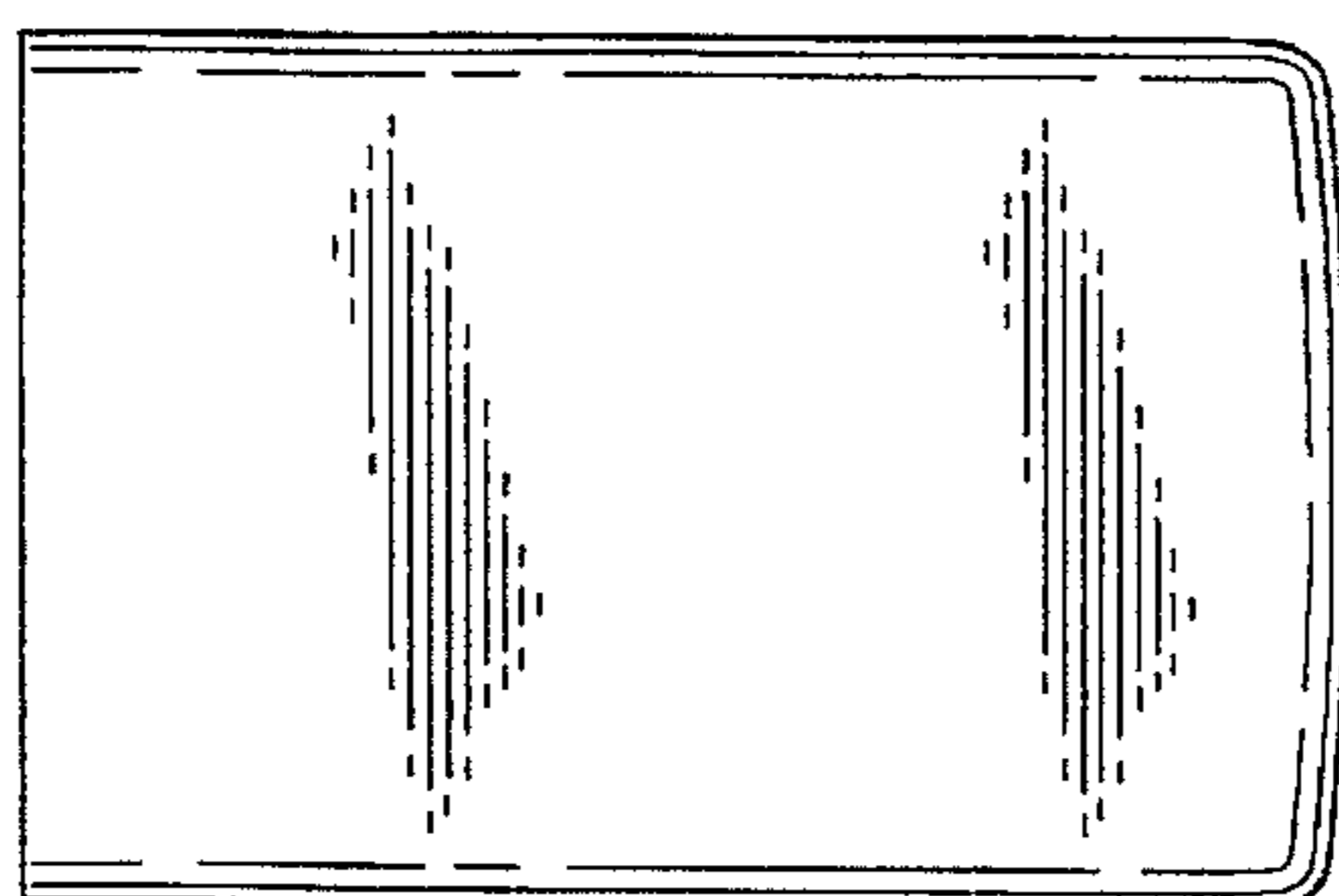


FIG. 3