



US00D379613S

United States Patent [19]
Chen

[11] **Patent Number: Des. 379,613**
[45] **Date of Patent: **Jun. 3, 1997**

[54] **WIPER**
[76] **Inventor: Liang-Yuan Chen, P.O. Box 82-144, Taipei, Taiwan**
[**] **Term: 14 Years**
[21] **Appl. No.: 53,915**
[22] **Filed: May 2, 1996**
[51] **LOC (6) Cl. 12-06**
[52] **U.S. Cl. D12/219**
[58] **Field of Search D12/219; 15/250.06, 15/250.07, 250.35, 250.36, 250.41, 250.42, 250.32, 250.33, 250.01, 250.14, 250.201, 250.203, 250.23, 250.351, 250.44, 250.451, 250.452, 250.453, 250.454, 250.46**

4,766,636 8/1988 Shinpo 15/250.44
4,976,001 12/1990 Wright 15/250.44
5,048,145 9/1991 Takahashi et al. 15/250.46

Primary Examiner—Louis S. Zarfaz
Assistant Examiner—Frank Martinez
Attorney, Agent, or Firm—Alfred Lei

[57] **CLAIM**

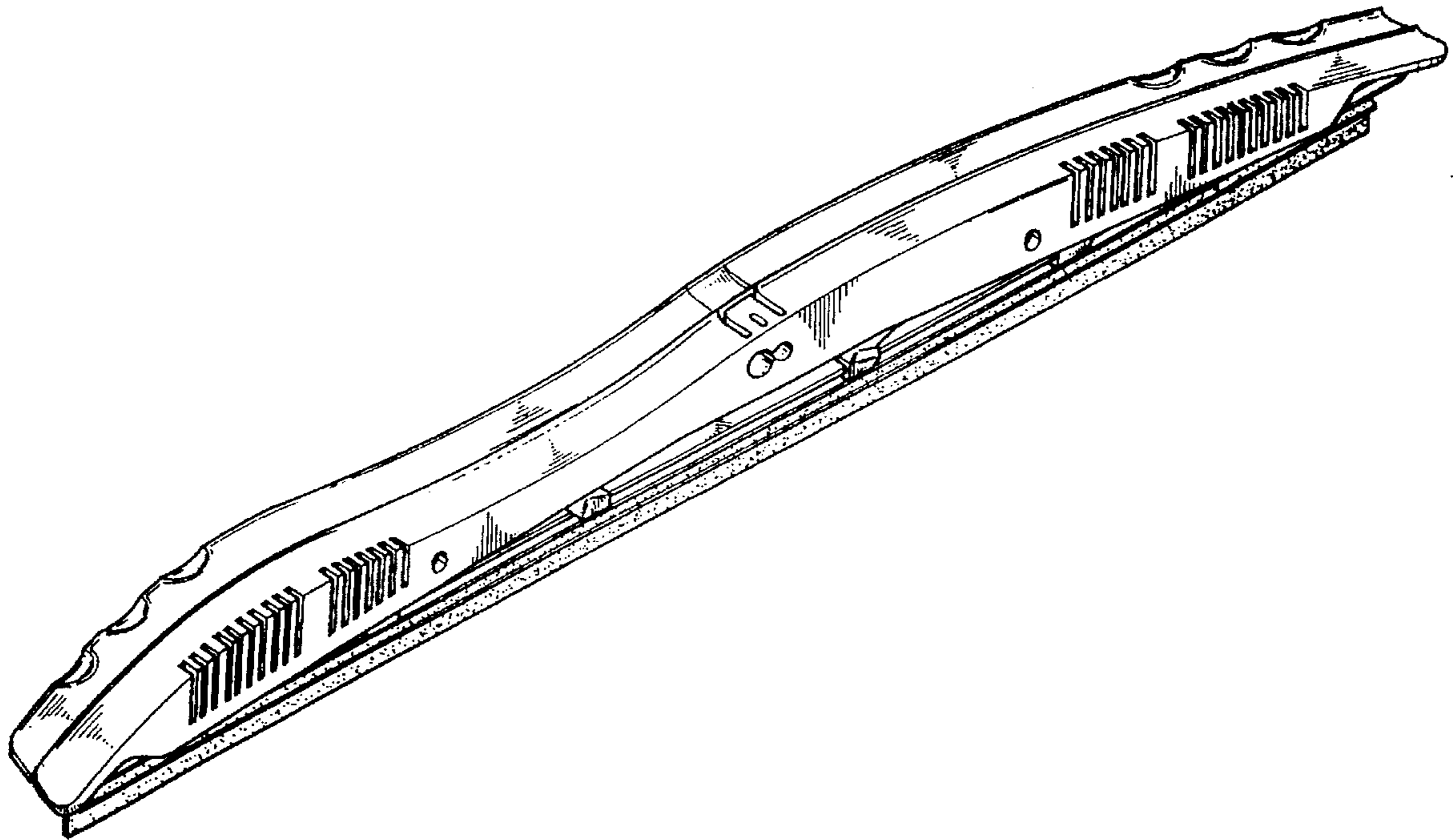
The ornamental design for a wiper, as shown and described.

DESCRIPTION

FIG. 1 is a perspective view of a wiper showing my new design;
FIG. 2 is a front side elevational view thereof;
FIG. 3 is a rear side elevational view thereof;
FIG. 4 is a left view thereof;
FIG. 5 is a right view thereof;
FIG. 6 is a top plan view thereof; and,
FIG. 7 is a bottom plan view thereof.

[56] **References Cited**
U.S. PATENT DOCUMENTS
D. 328,061 7/1992 Su D12/219

1 Claim, 3 Drawing Sheets



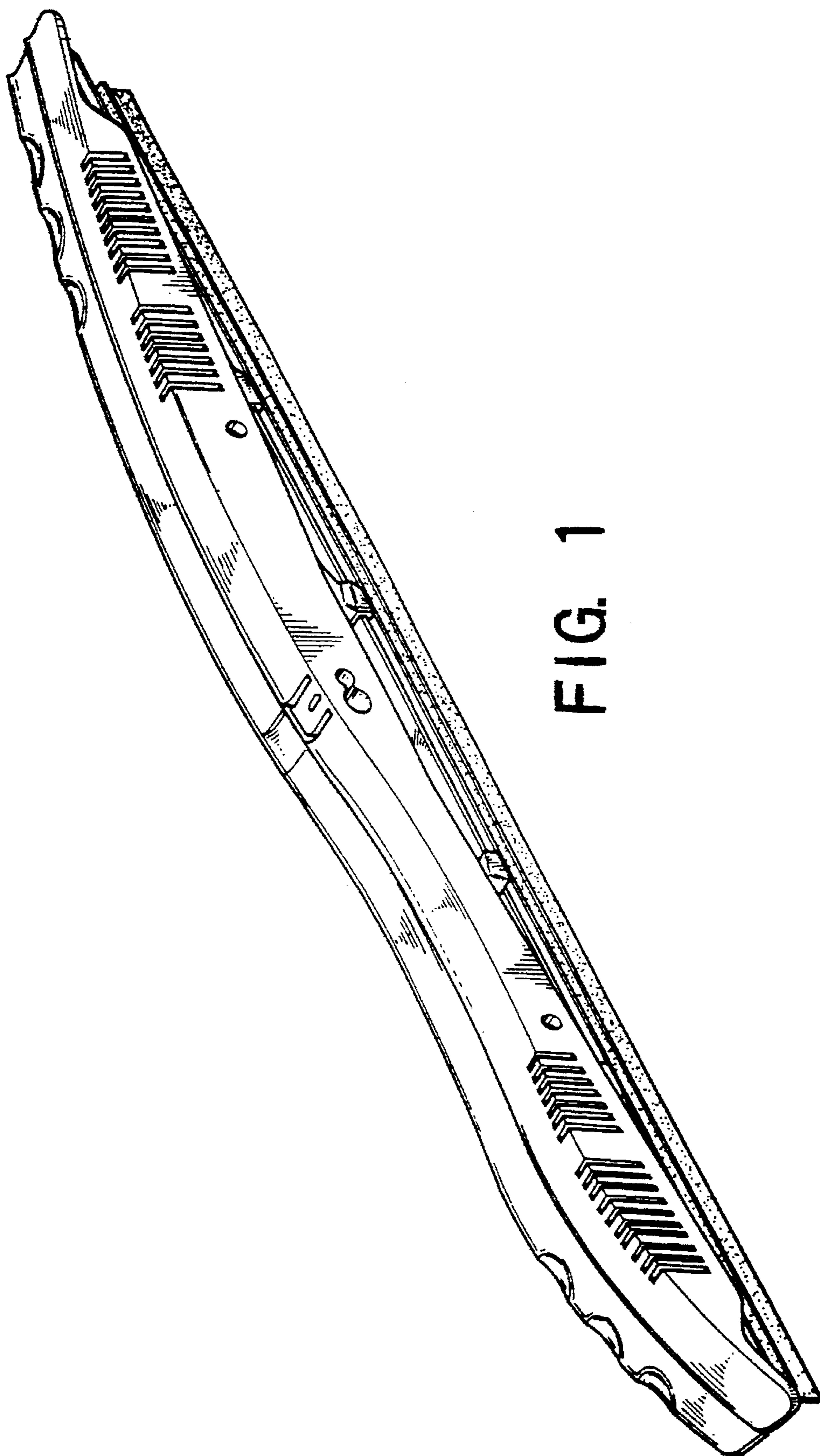


FIG. 1

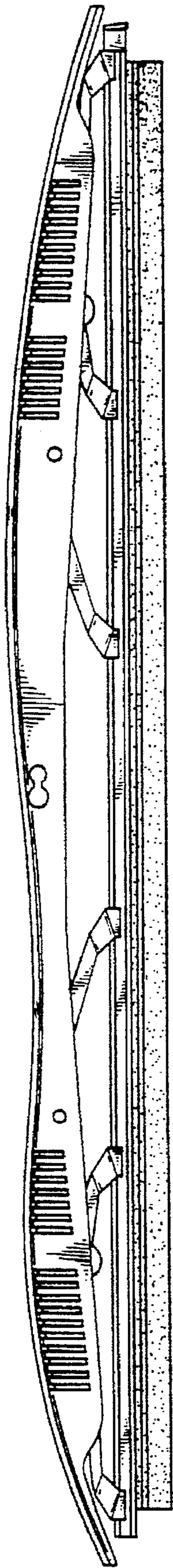


FIG. 2

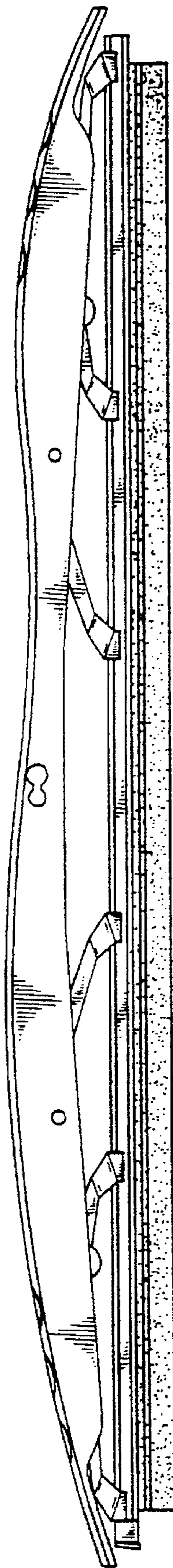


FIG. 3

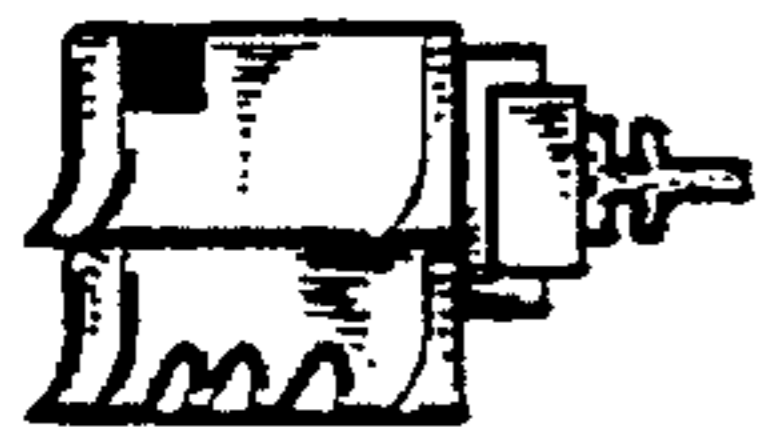


FIG. 4

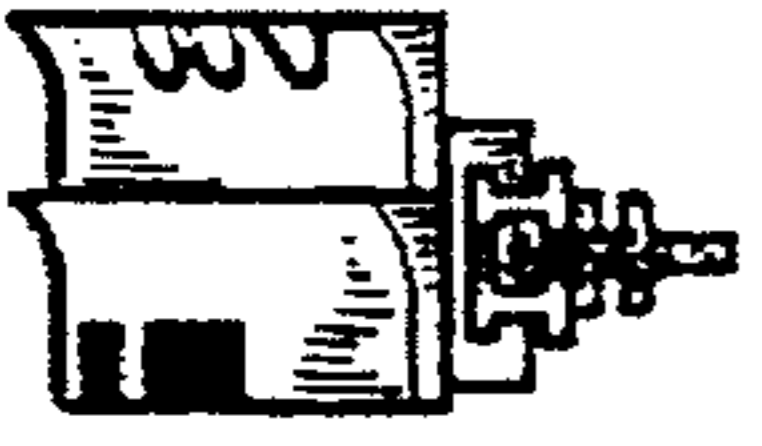


FIG. 5

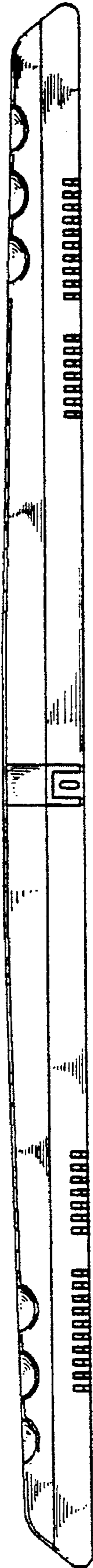


FIG. 6

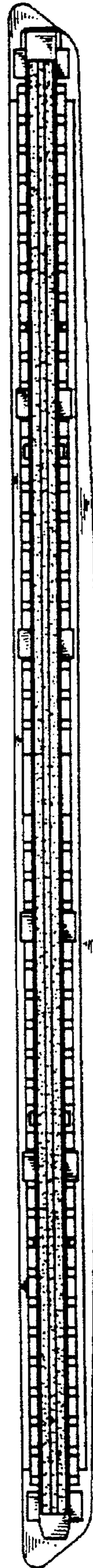


FIG. 7