



US00D379610S

United States Patent [19]

[11] Patent Number: **Des. 379,610**

Hellhake et al.

[45] Date of Patent: ****Jun. 3, 1997**

[54] **TRUCK STEERING WHEEL COLUMN COVER**

Primary Examiner—Melody N. Brown
Attorney, Agent, or Firm—Klarquist Sparkman Campbell Leigh & Winston

[75] Inventors: **Ferdinand F. Hellhake**, Beaverton;
Mark S. Hurayt, Aloha, both of Oreg.

[57] **CLAIM**

[73] Assignee: **Freightliner Corporation**, Portland, Oreg.

The ornamental design for a truck steering wheel column cover, as shown and described.

[**] Term: **14 Years**

DESCRIPTION

[21] Appl. No.: **53,323**

FIG. 1 is a perspective view of a truck steering wheel column cover in accordance with the present invention and also depicting one side of the cover;

[22] Filed: **Apr. 16, 1996**

FIG. 2 is a perspective view of a truck steering wheel column cover of FIG. 1 depicting the opposite side of the cover from that shown in FIG. 1;

[51] **LOC (6) Cl.** **12-16**

[52] **U.S. Cl.** **D12/174**

[58] **Field of Search** D12/174, 177;
74/492, 494, 552, 558; 280/777; 150/165-167;
464/173

FIG. 3 is a front view of the truck steering wheel column cover of FIG. 1;

FIG. 4 is a bottom view of the truck steering wheel column cover of FIG. 1;

[56] **References Cited**

U.S. PATENT DOCUMENTS

Re. 33,701	9/1991	Triquet	464/173
D. 256,575	8/1980	Moore	D12/174
5,507,203	4/1996	Audibert et al.	74/492
5,547,221	8/1996	Tomaru et al.	280/777

FIG. 5 is a back view of the truck steering wheel column cover of FIG. 1; and,

FIG. 6 is a top view of the truck steering wheel column cover of FIG. 1.

1 Claim, 2 Drawing Sheets

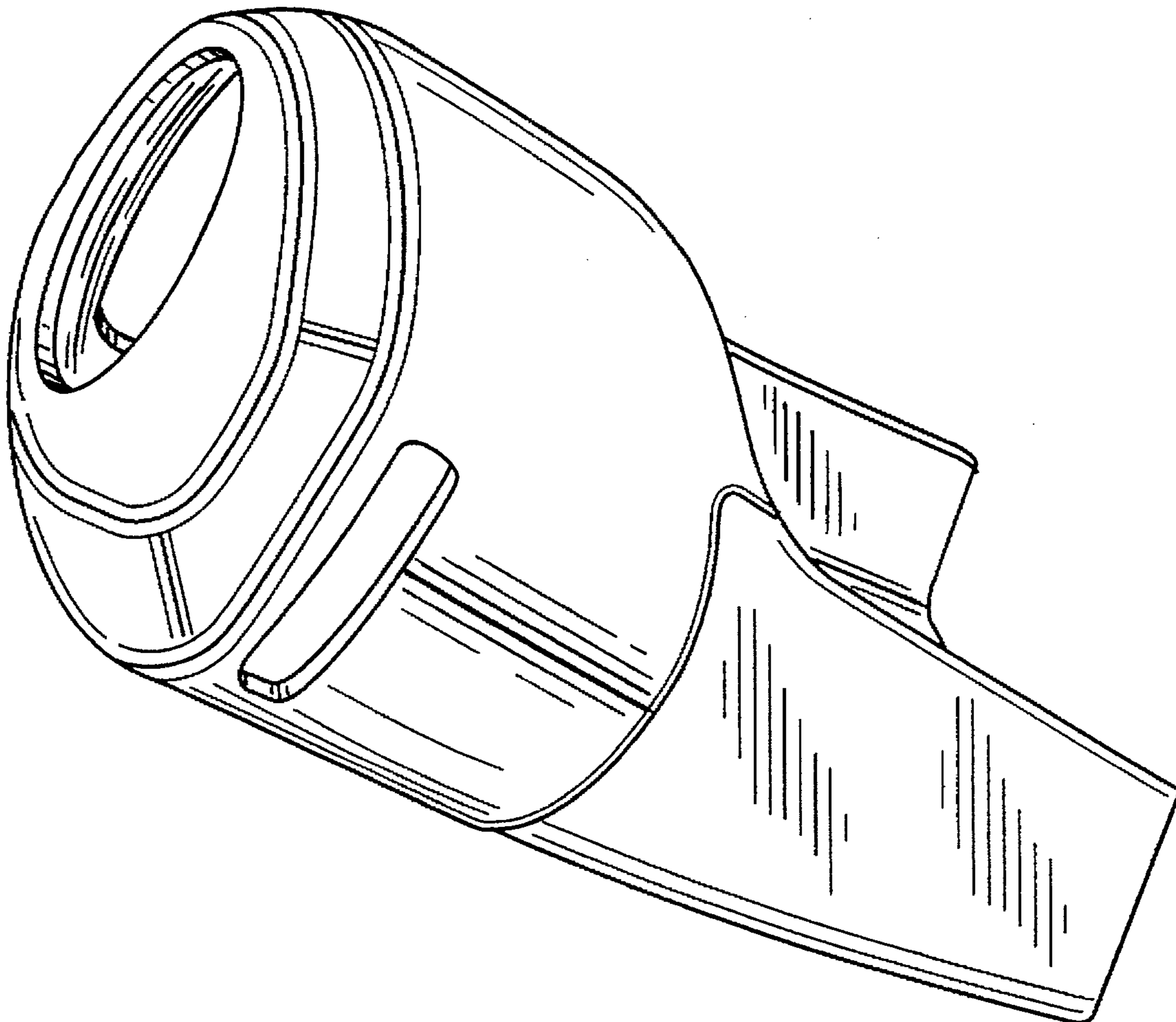


FIG. 1

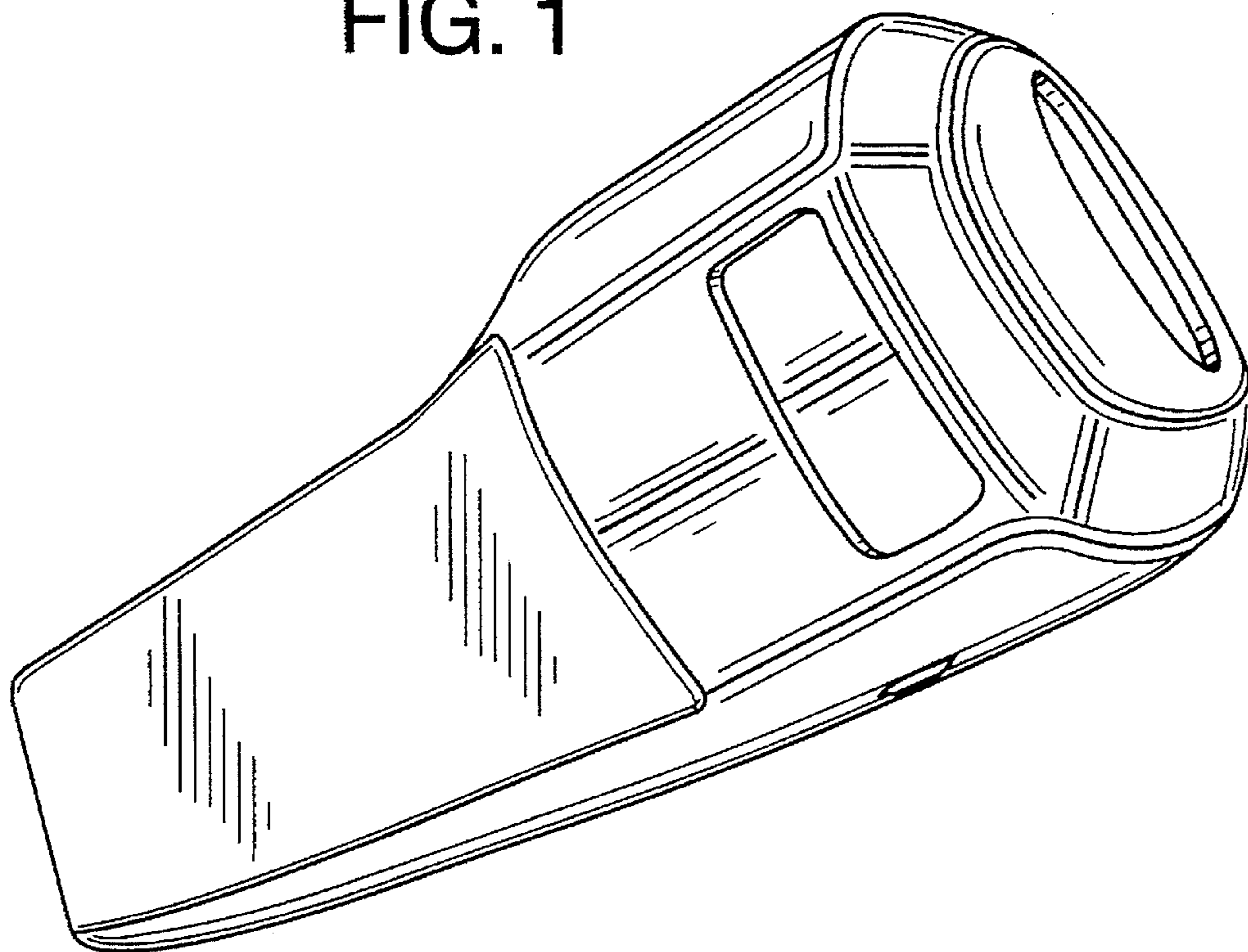


FIG. 2

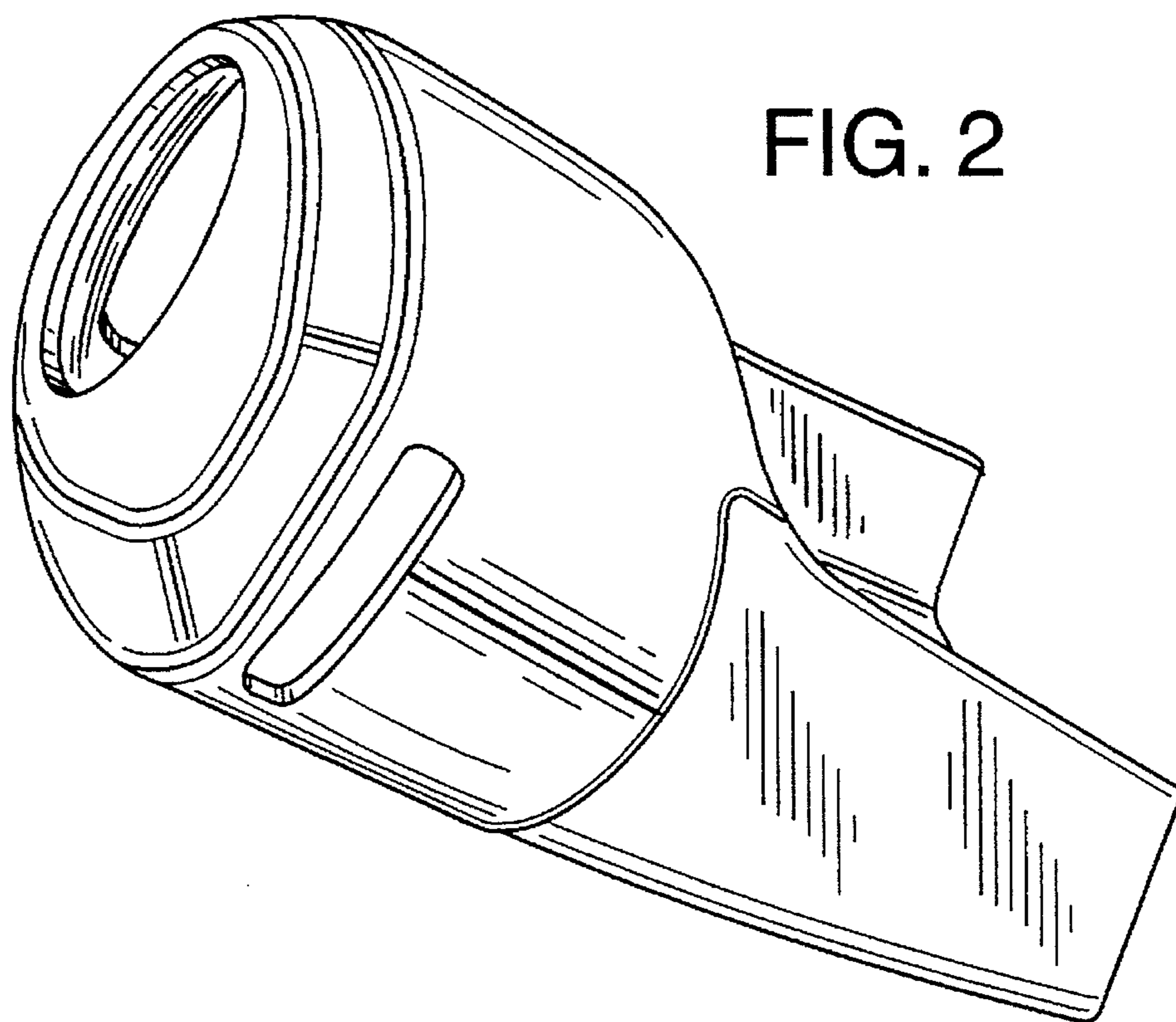


FIG. 3

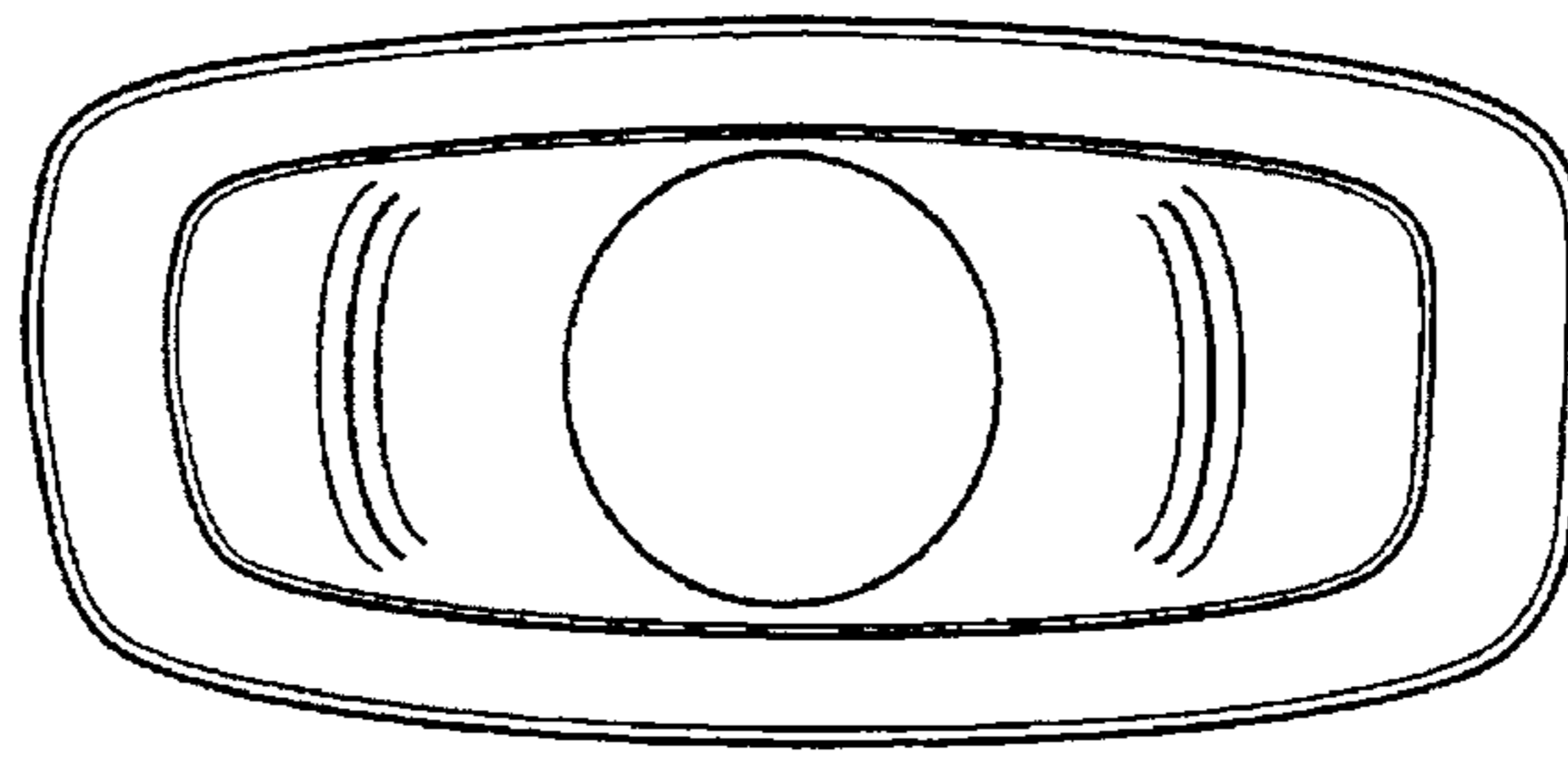


FIG. 4

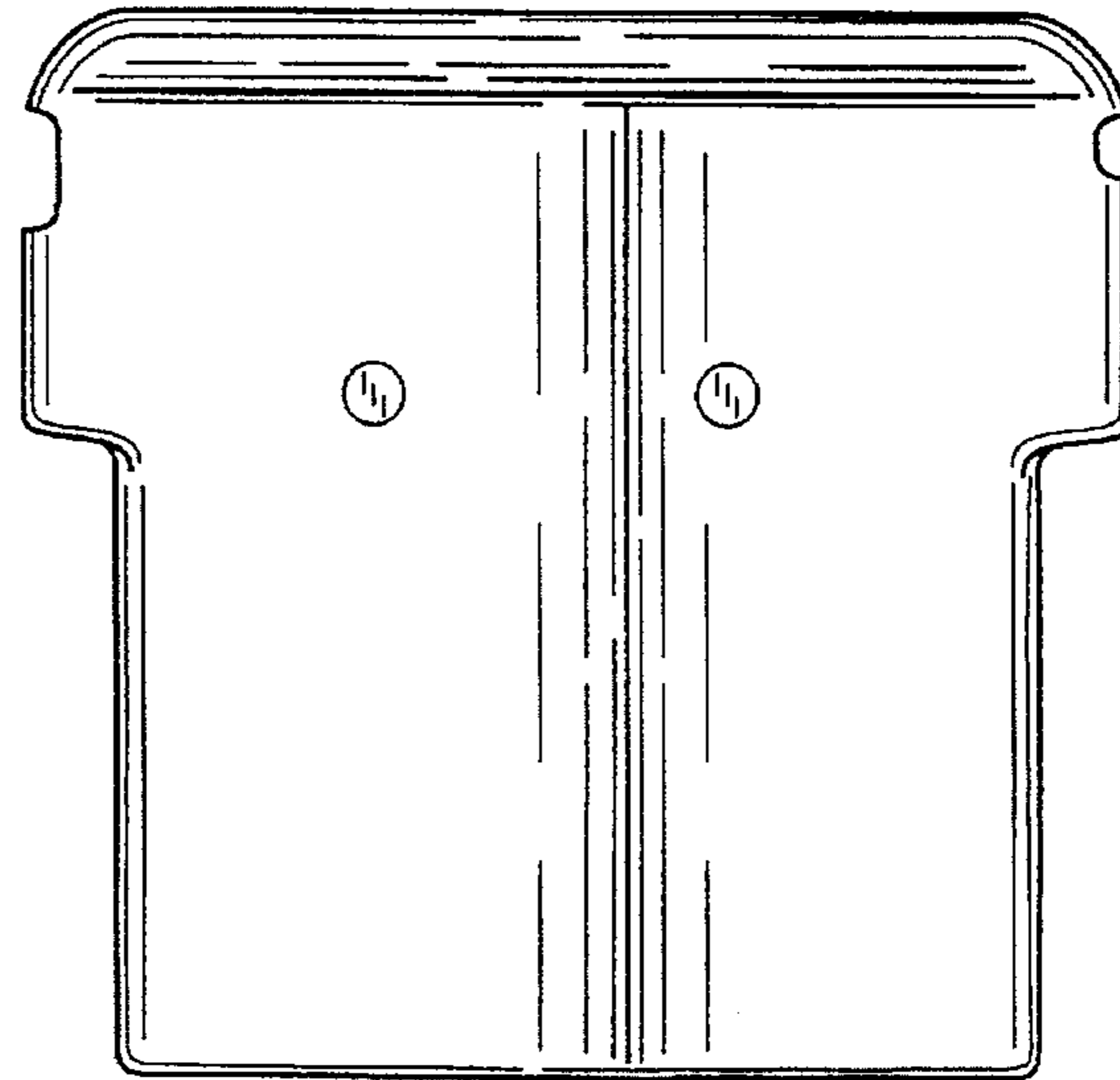


FIG. 5

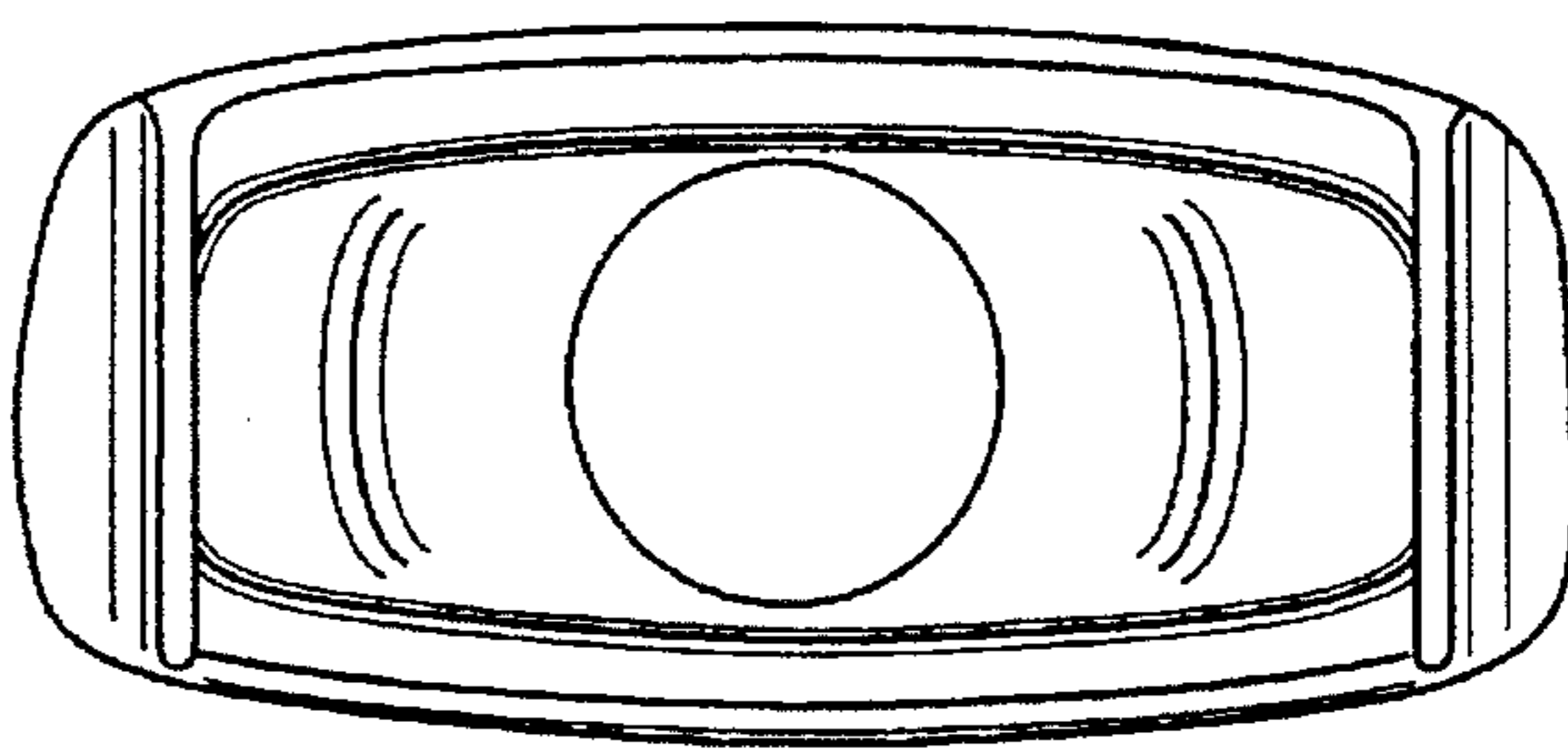


FIG. 6

