



US00D379609S

United States Patent [19]

Nease, III

[11] Patent Number: **Des. 379,609**

[45] Date of Patent: ****Jun. 3, 1997**

[54] **UNIVERSAL RAILWAY COUPLER HOOK**

[76] Inventor: **Loyd V. Nease, III**, 2725 Aimar Ave., Savannah, Ga. 31406-3100

[**] Term: **14 Years**

[21] Appl. No.: **43,298**

[22] Filed: **Aug. 31, 1995**

[51] LOC (6) Cl. **12-03**

[52] U.S. Cl. **D12/162; D8/349**

[58] Field of Search D12/162, 42, 49, D12/50, 51; D8/349, 373; 280/490.1, 493, 495, 497, 504, 507; 104/144; 105/411, 419, 238.1; 238/292, 315, 347, 349

[56] **References Cited**

U.S. PATENT DOCUMENTS

D. 31,638	10/1899	Patterson	D12/51
D. 52,159	7/1918	Edwards	D12/51
D. 200,166	1/1965	Carl	D12/42
D. 200,167	1/1965	Carl	D12/42

D. 214,091	5/1969	Dehn	D12/51
D. 235,760	7/1975	Genzel	D12/162
D. 235,762	7/1975	Genzel	D12/162
D. 269,175	5/1983	Perry et al.	D12/162
D. 274,419	6/1984	Burwell	D12/51
454,179	6/1891	Miller	104/144
5,413,366	5/1995	Gibbons	280/490.1

Primary Examiner—Melody N. Brown

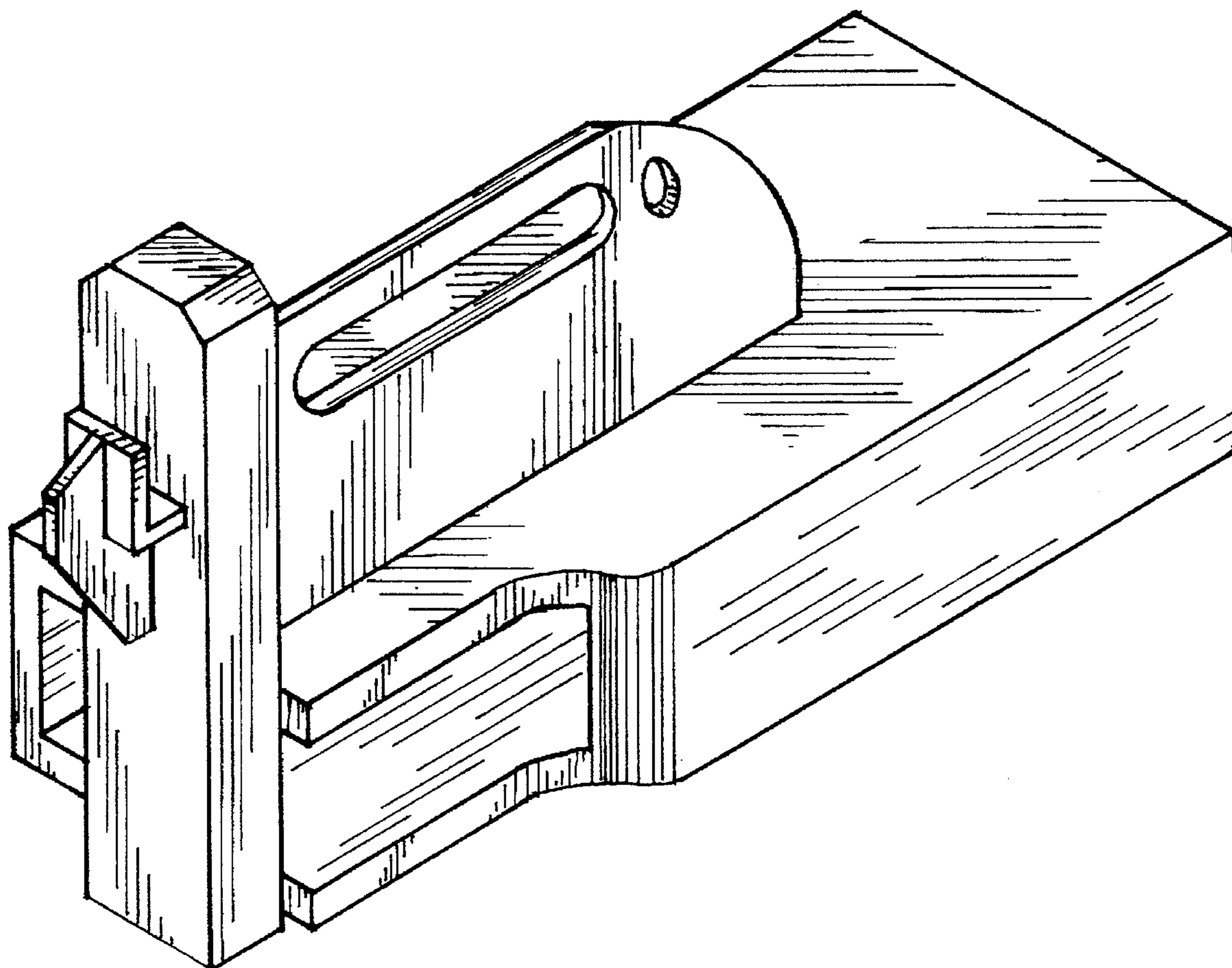
[57] **CLAIM**

The ornamental design for a universal railway coupler hook, as shown and described.

DESCRIPTION

FIG. 1 is a side elevation view of my new universal railway coupler hook;
 FIG. 2 is a front elevational view thereof;
 FIG. 3 is a top plan view thereof;
 FIG. 4 is a perspective view thereof;
 FIG. 5 is a bottom plan view thereof;
 FIG. 6 is a rear elevational view thereof; and,
 FIG. 7 is an opposite side elevational view thereof.

1 Claim, 3 Drawing Sheets



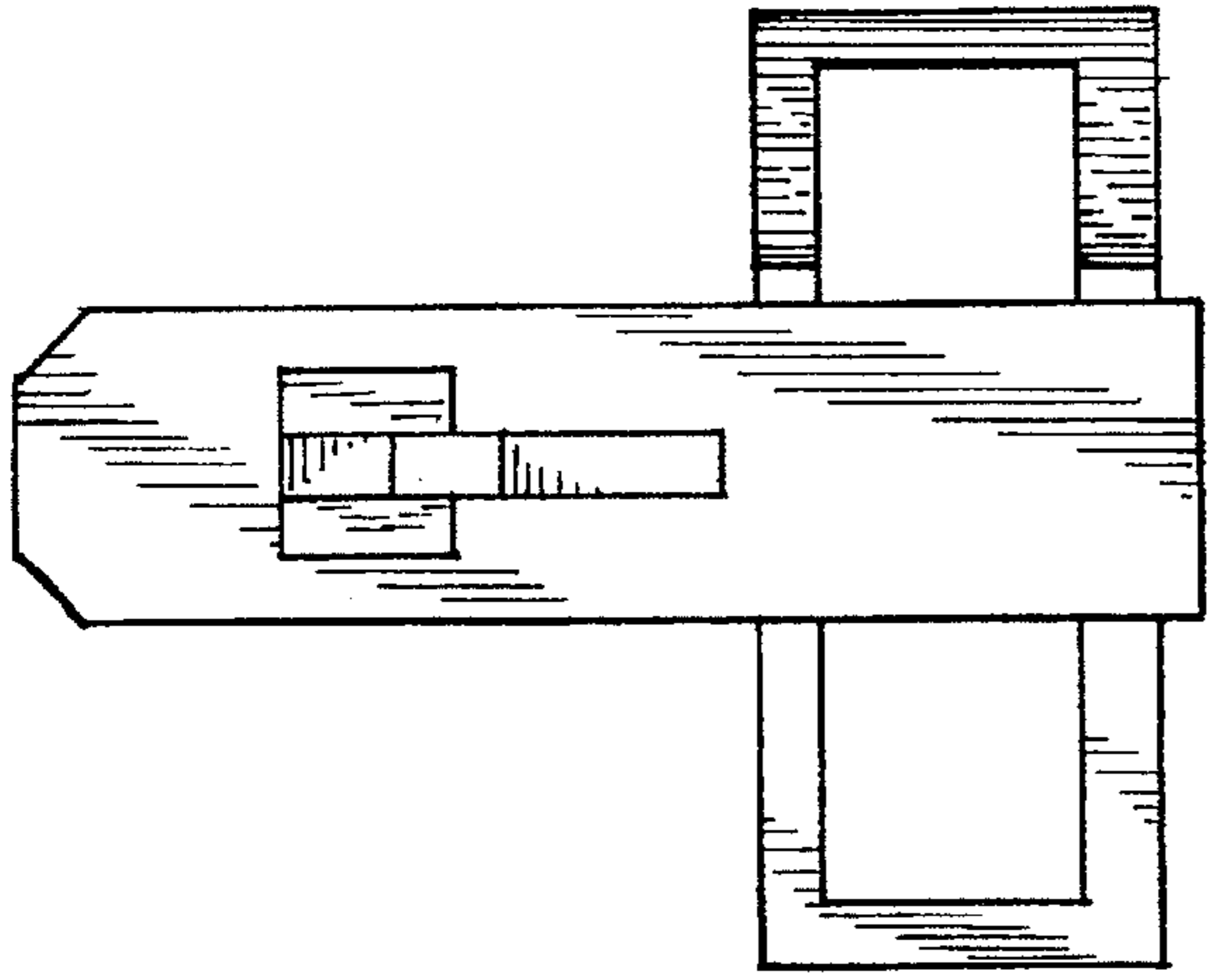


FIG. 2

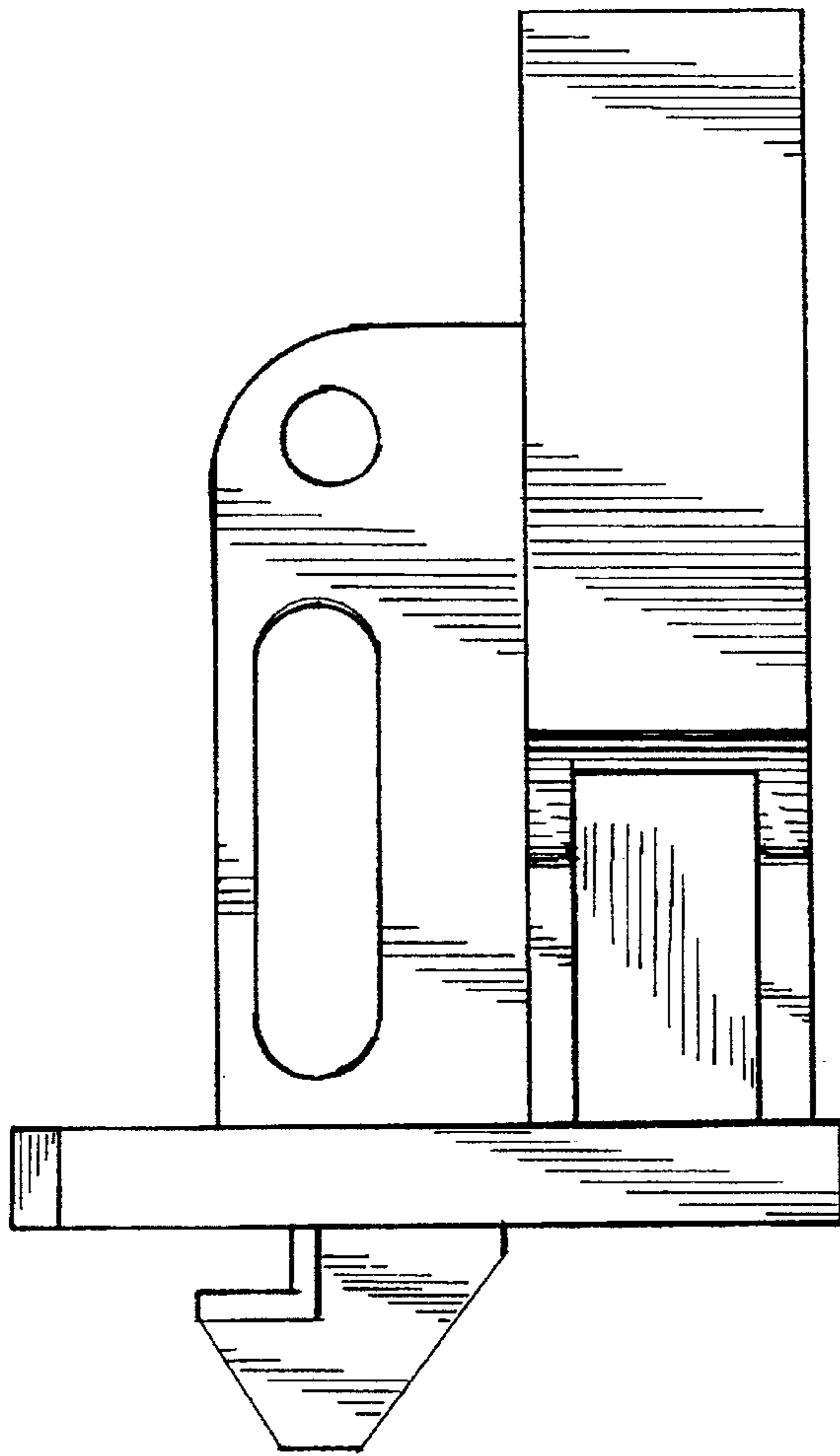


FIG. 1

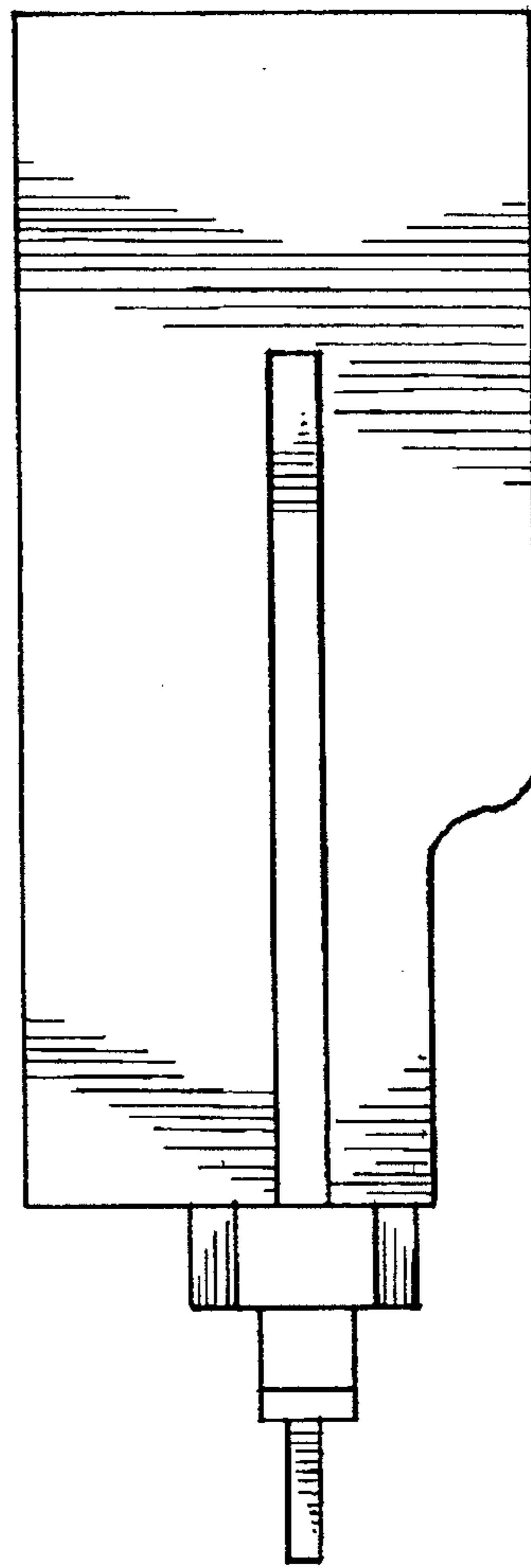


FIG. 3

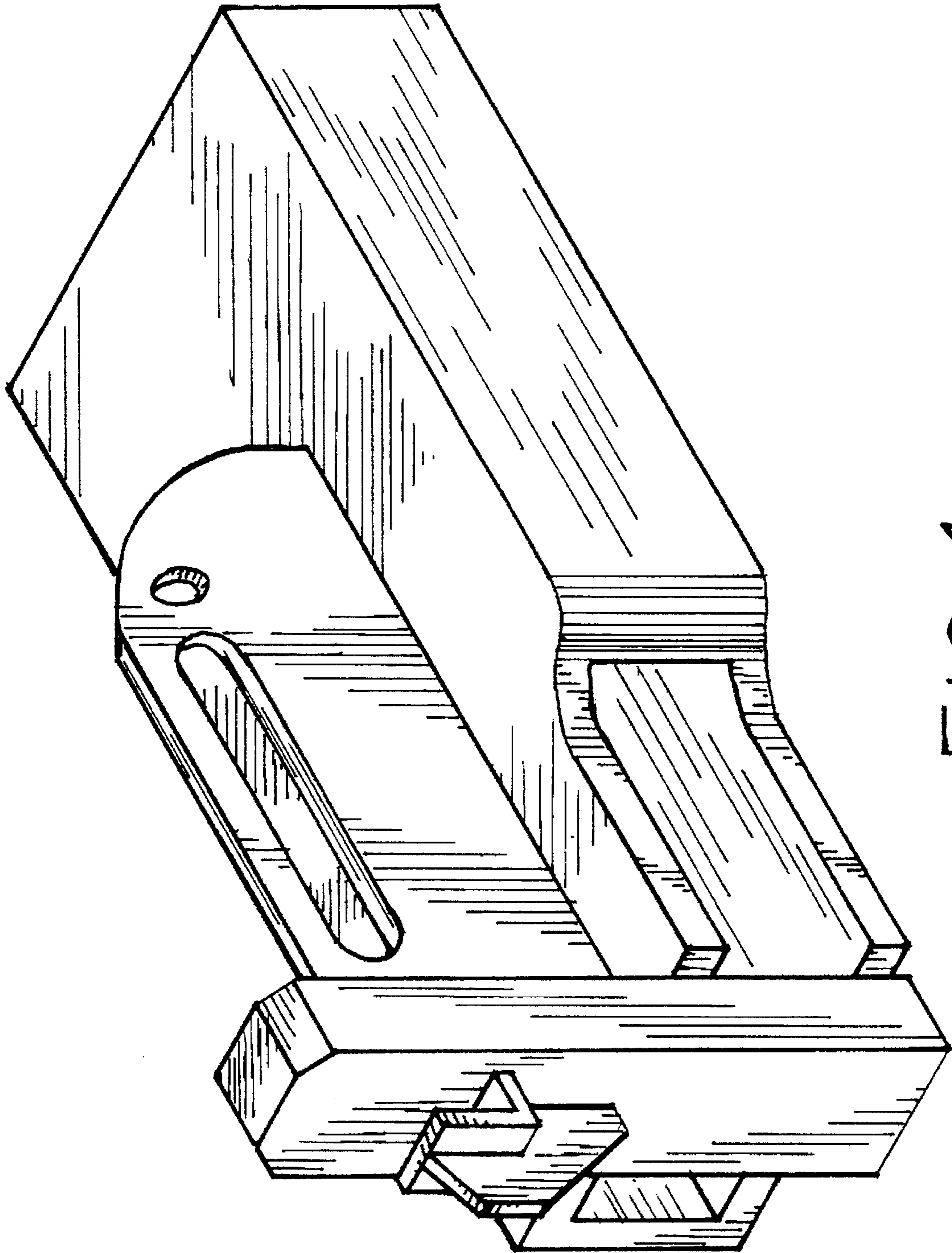


FIG. 4

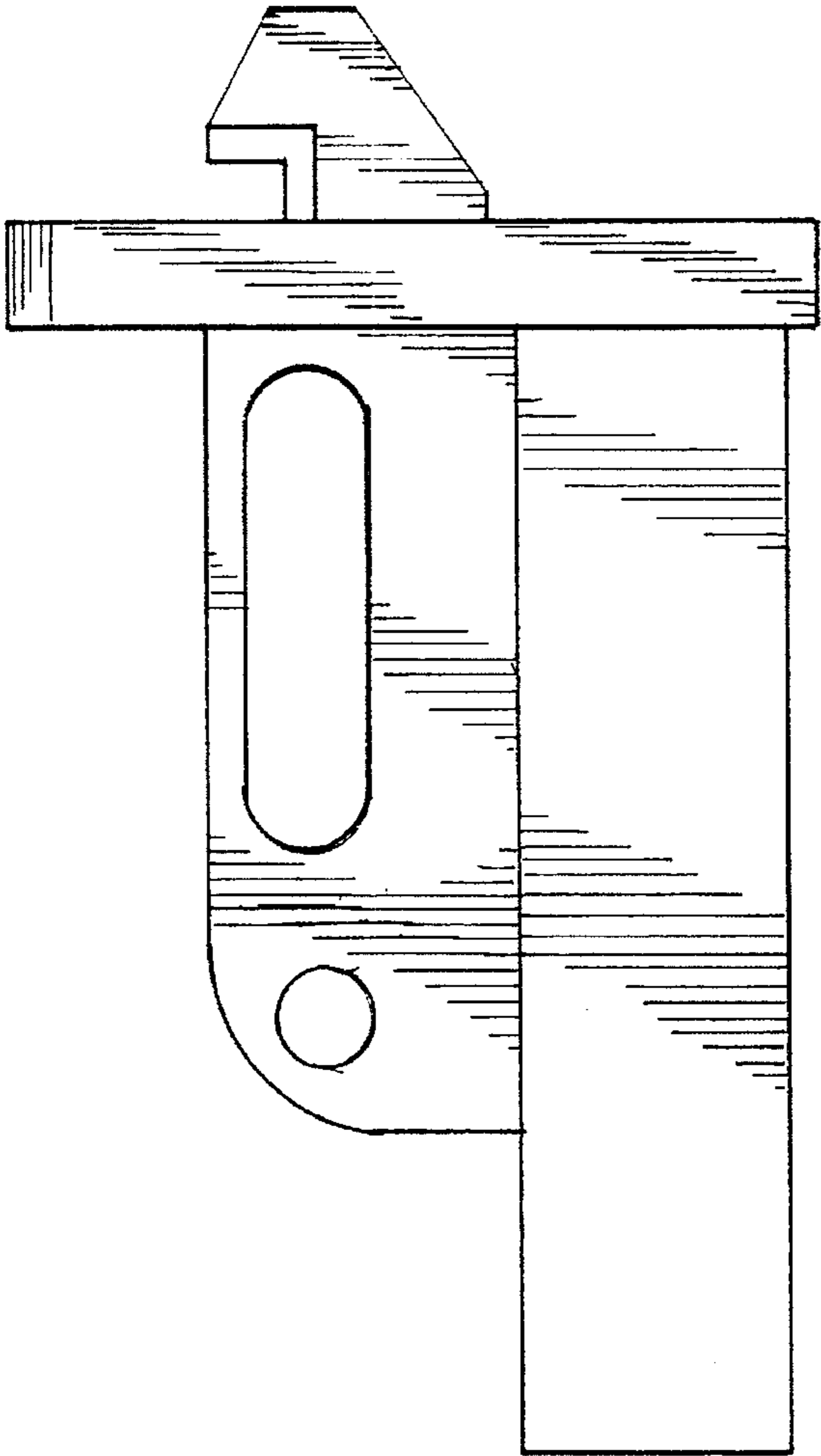


FIG. 7

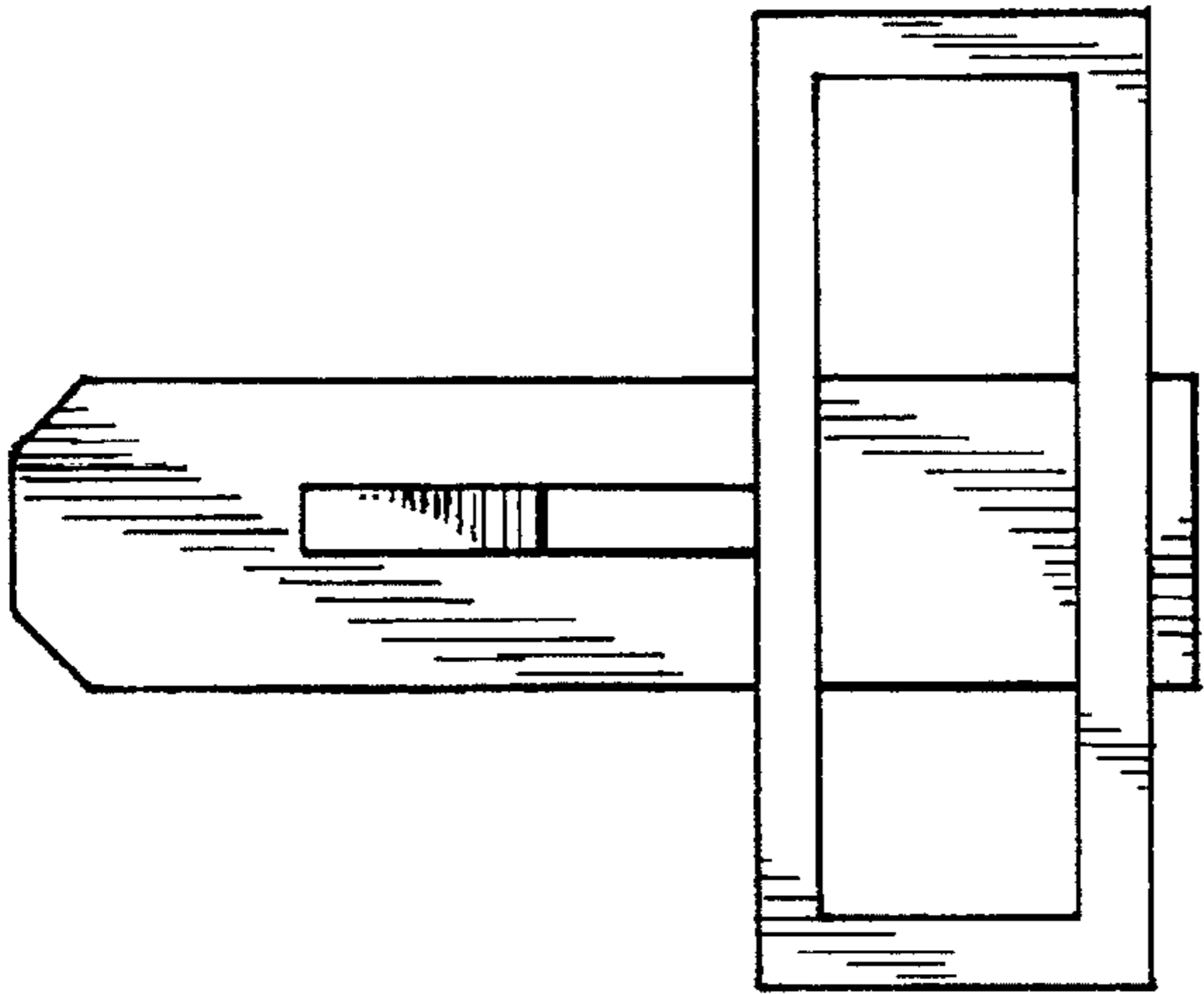


FIG. 6

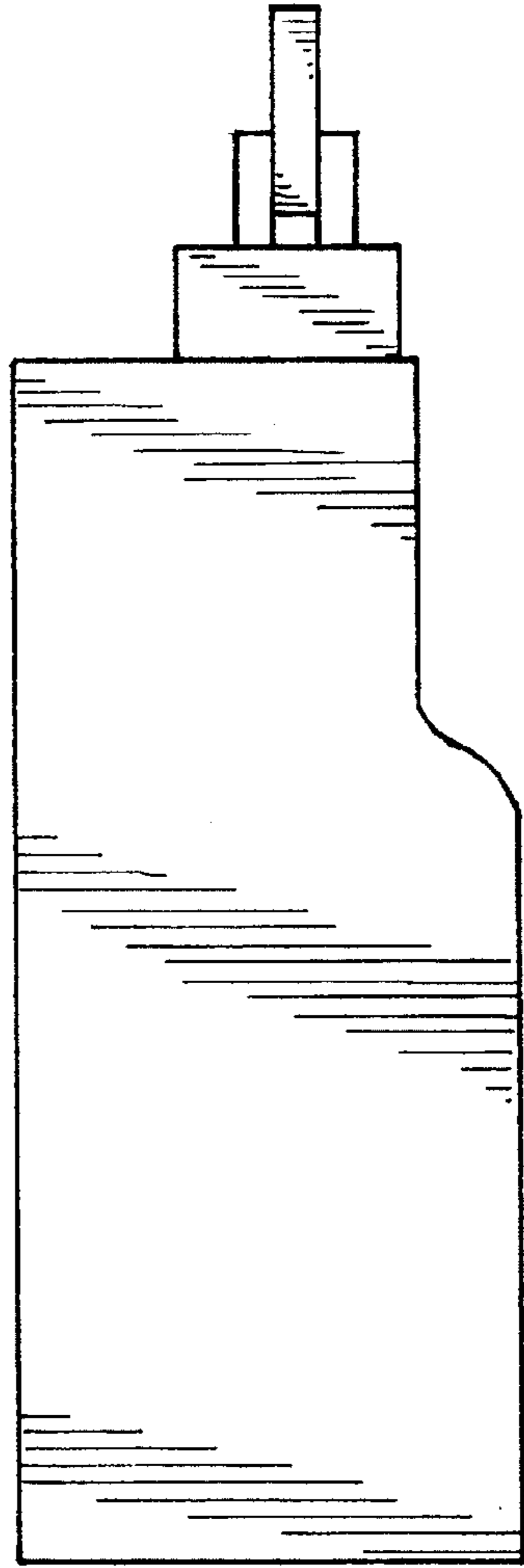


FIG. 5