



US00D379608S

United States Patent [19]
Rodriguez

[11] **Patent Number: Des. 379,608**
[45] **Date of Patent: **Jun. 3, 1997**

[54] **UNIVERSAL ROTARY TRAILER HITCH**

Attorney, Agent, or Firm—Frank Cona

[76] **Inventor: Joe Rodriguez, 4867 Raintree St.
Circle East, Bradenton, Fla. 34203**

[57] **CLAIM**

[**] **Term: 14 Years**

The ornamental design for a universal rotary trailer hitch, as shown and described.

[21] **Appl. No.: 27,572**

DESCRIPTION

[22] **Filed: Aug. 24, 1994**

FIG. 1 is a perspective illustration of the universal rotary hitch;

[51] **LOC (6) Cl. 12-16**

FIG. 2 is a top plan view of the invention as disclosed in FIG. 1;

[52] **U.S. Cl. D12/162**

FIG. 3 is a bottom plan view of the invention as disclosed in FIG. 1;

[58] **Field of Search D12/162; 280/416.1,
280/416.2**

FIG. 4 is a left side elevation view of the invention as disclosed in FIG. 1;

[56] **References Cited**

U.S. PATENT DOCUMENTS

D. 234,949	4/1975	Rendessy	D12/162
2,911,233	11/1959	Riddle	280/416.1
4,456,279	6/1984	Dirck	280/416.1
5,044,652	9/1991	Brisson	D12/162
5,106,114	4/1992	Haupt	280/416.1
5,322,313	6/1994	Schroeder	280/416.1

FIG. 5 is a right side elevation view of the invention as disclosed in FIG. 1;

FIG. 6 is a front elevation view of the invention as disclosed in FIG. 1; and,

OTHER PUBLICATIONS

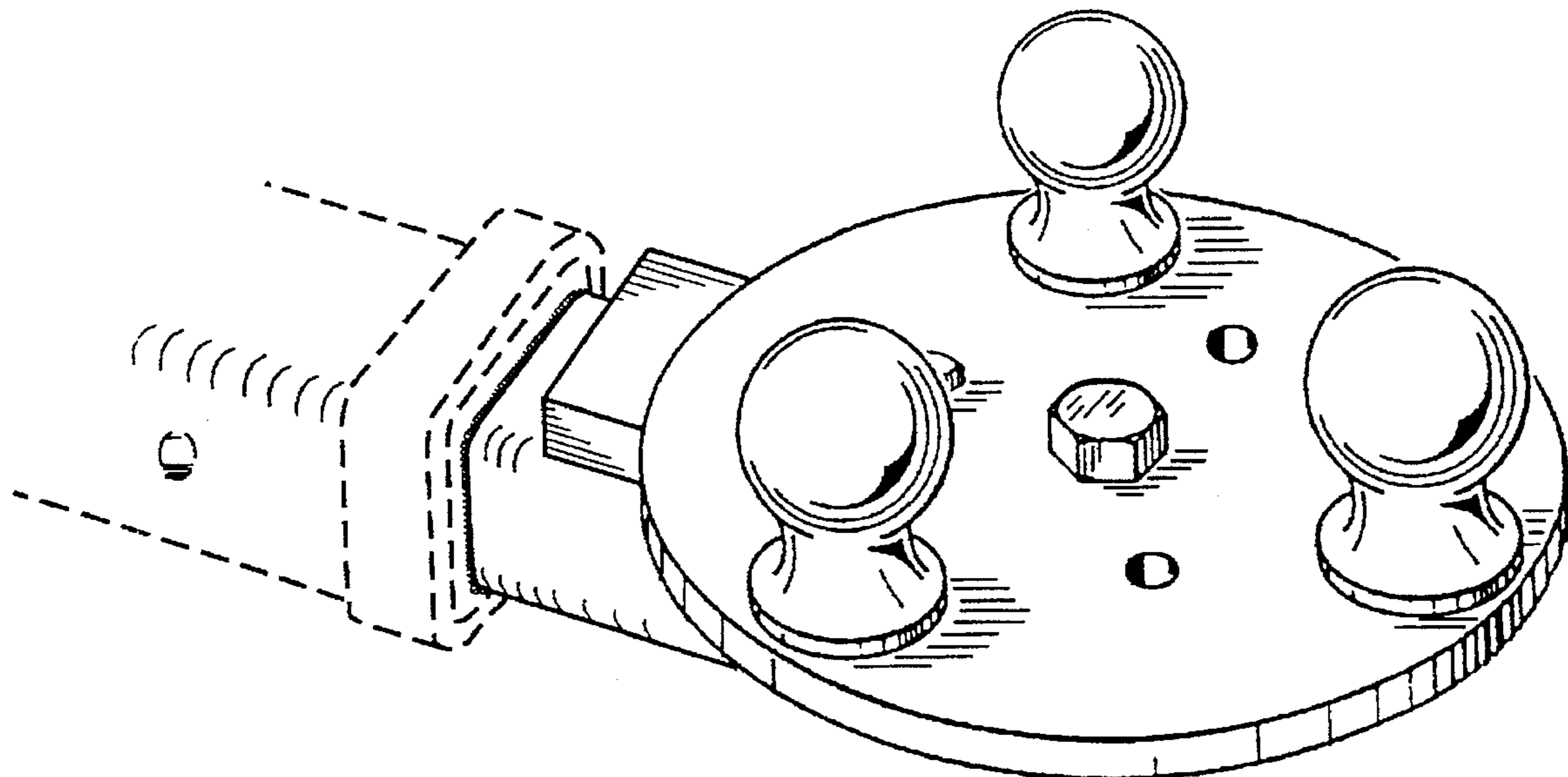
Sears Automotive Catalog, 1974, p. 97, trailer hitch, located at top left corner of page.

FIG. 7 is a rear elevation view of the invention as disclosed in FIG. 1.

The broken line showing of a fragmented structure is for illustrative purposes only and forms no part of the claimed design.

Primary Examiner—Holly Baynham

1 Claim, 5 Drawing Sheets



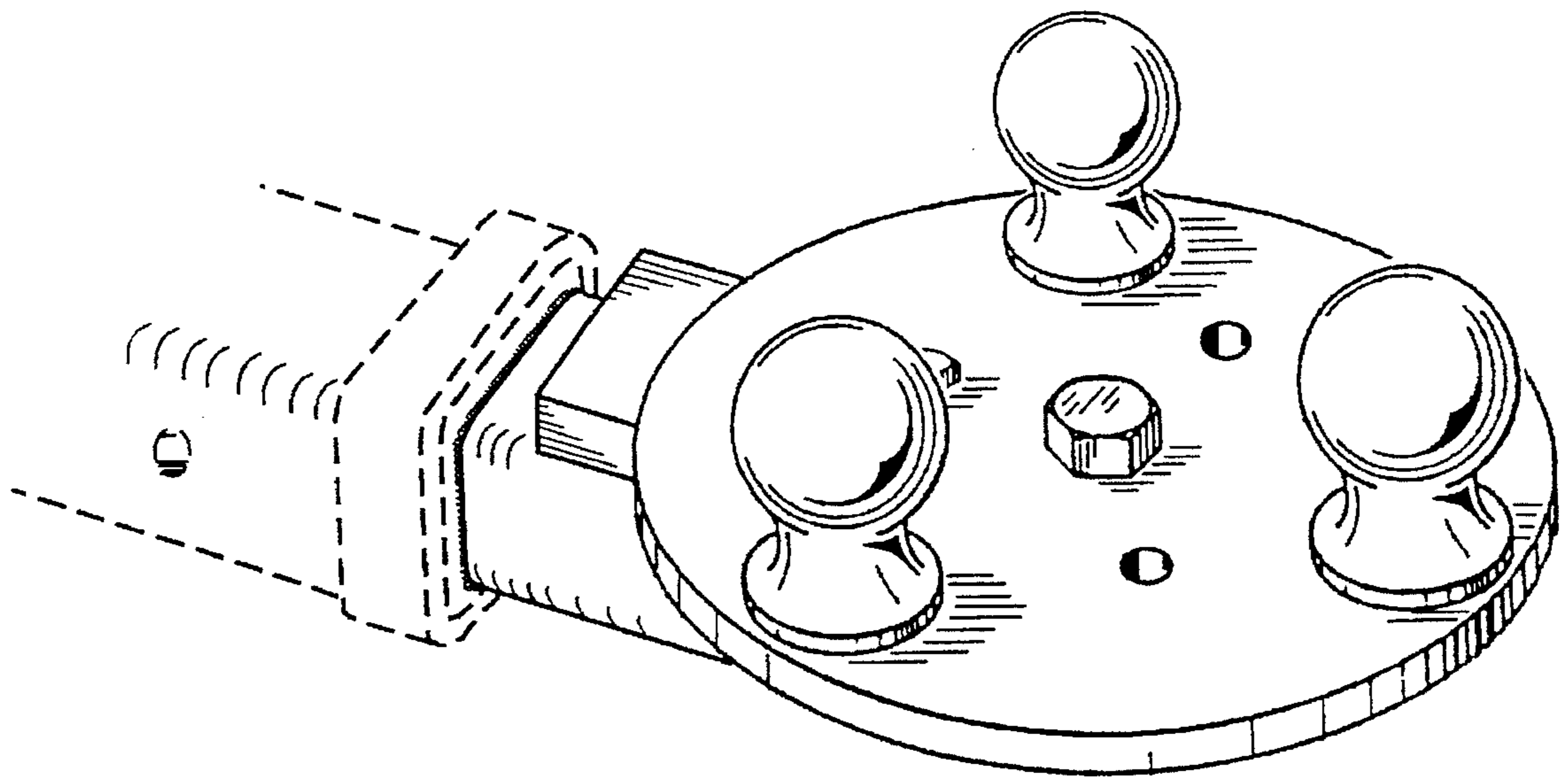


FIGURE 1

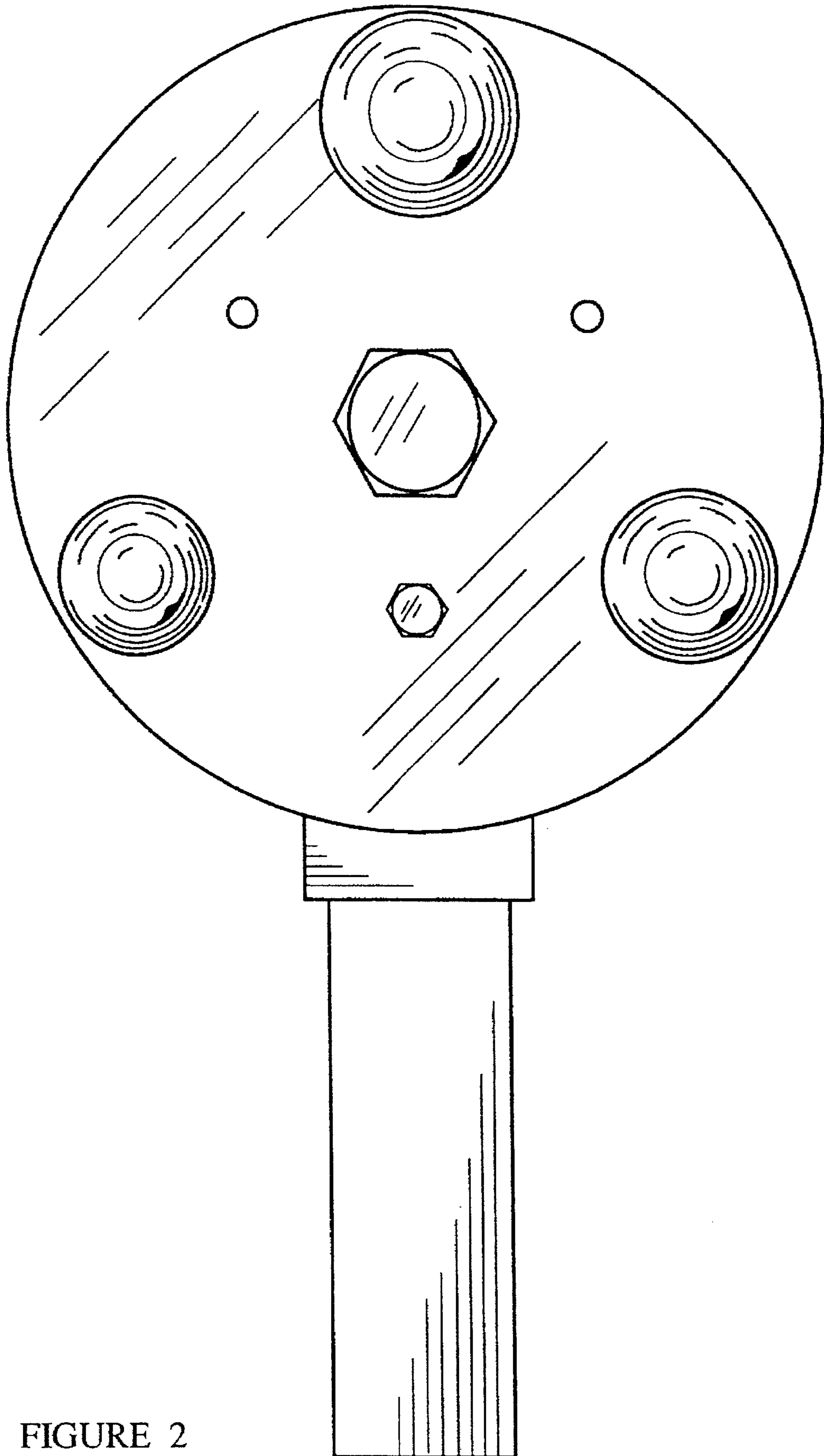


FIGURE 2

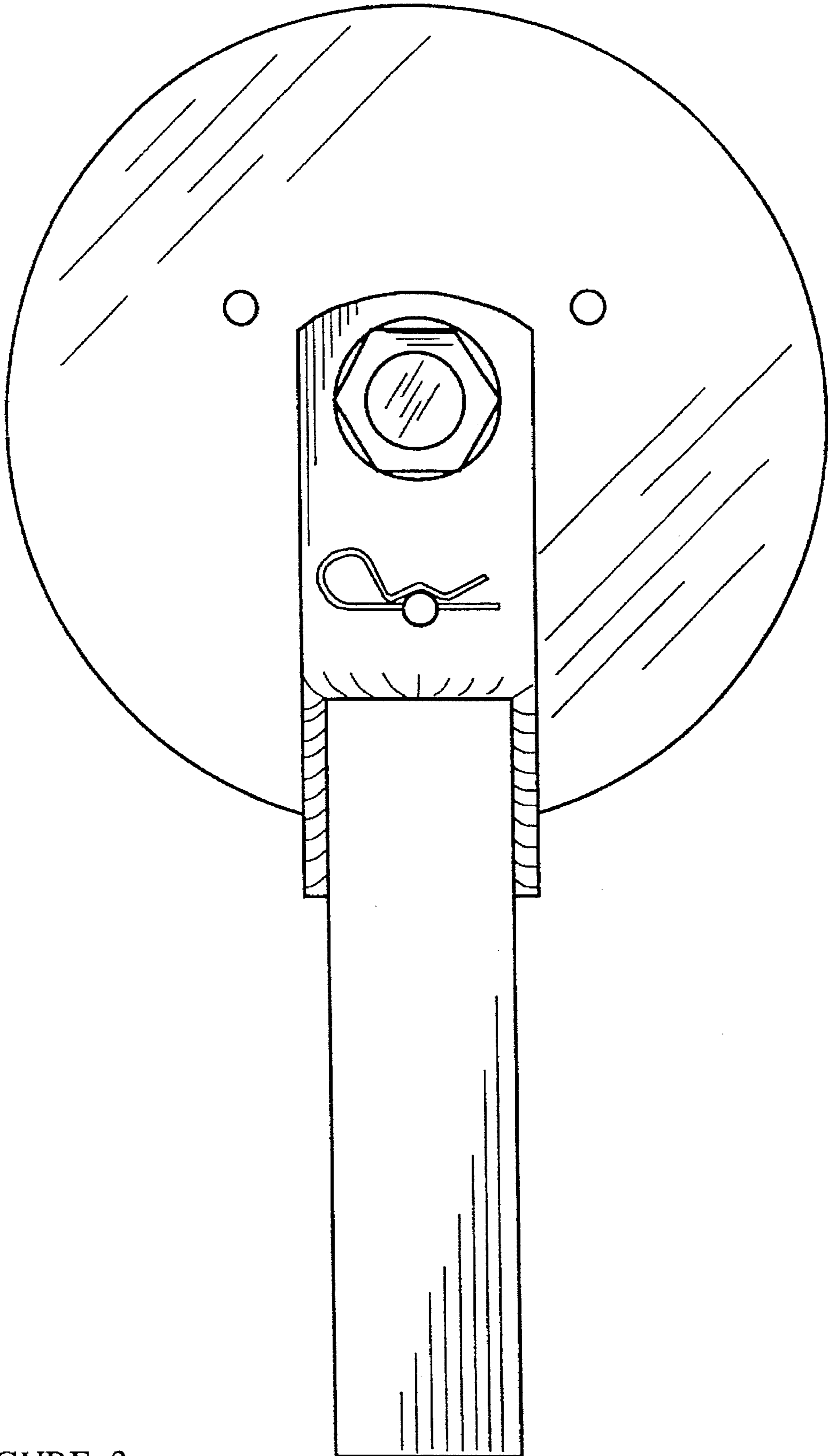


FIGURE 3

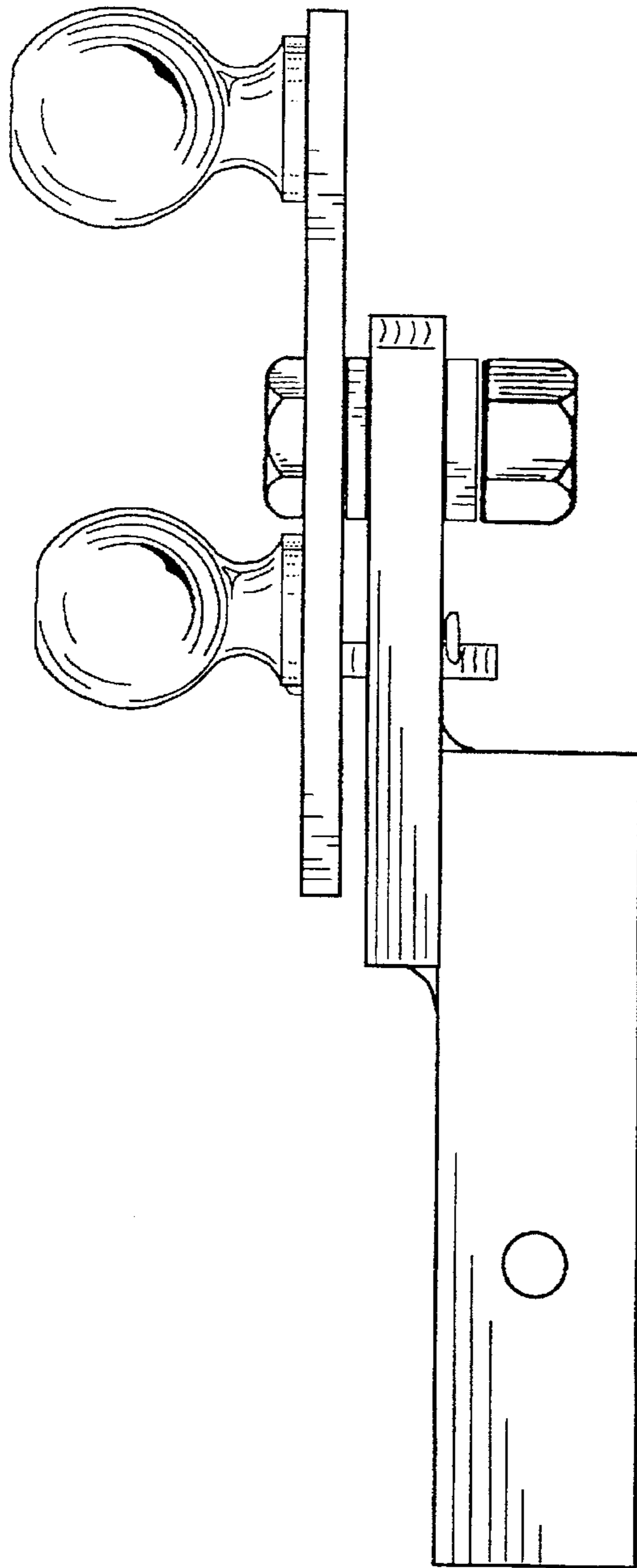


FIGURE 4

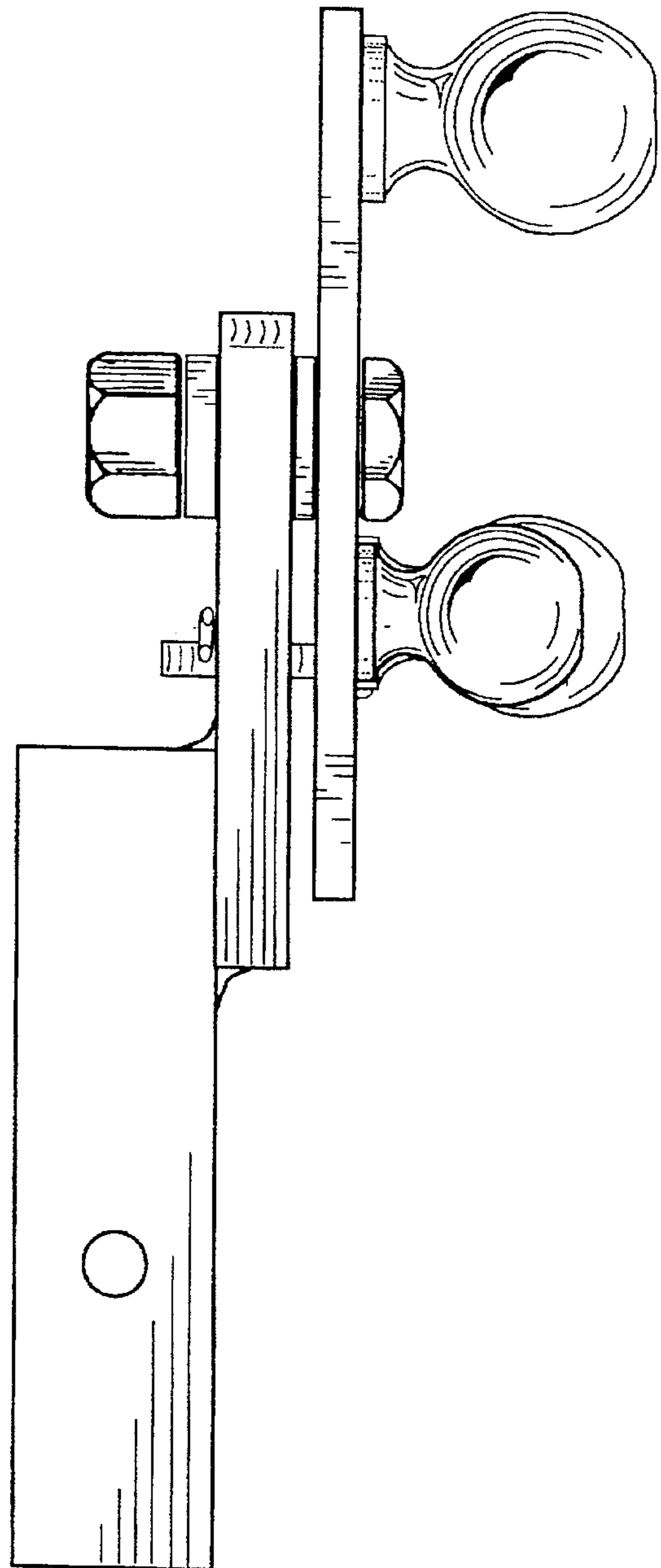


FIGURE 5

