



US00D379605S

United States Patent [19]

Kishi et al.

[11] Patent Number: **Des. 379,605**

[45] Date of Patent: ****Jun. 3, 1997**

[54] **MOTORCYCLE**

[75] Inventors: **Toshiaki Kishi; Kiyoshi Takagi**, both of Saitama, Japan

[73] Assignee: **Honda Giken Kogyo Kabushiki Kaisha**, Tokyo, Japan

[**] Term: **14 Years**

[21] Appl. No.: **52,372**

[22] Filed: **Mar. 28, 1996**

[30] **Foreign Application Priority Data**

Sep. 29, 1995 [JP] Japan 7-29099

[51] LOC (6) Cl. **12-11**

[52] U.S. Cl. **D12/110**

[58] Field of Search **D12/110; 258/219**

[56] **References Cited**

U.S. PATENT DOCUMENTS

D. 295,029	4/1988	Kizawa et al.	D12/110
D. 299,816	2/1989	Marayuma et al.	D12/110
D. 310,053	8/1990	Kishn et al.	D12/110
D. 339,089	9/1993	Gibbons et al.	D12/110

FOREIGN PATENT DOCUMENTS

807499 9/1981 Japan .

807499-1	9/1981	Japan .
693341	3/1984	Japan .
796009	6/1986	Japan .
796009-1	6/1986	Japan .
796087	8/1987	Japan .
925625	8/1992	Japan .
937491-1	10/1993	Japan .
937491-2	10/1993	Japan .

Primary Examiner—Melody N. Brown
Attorney, Agent, or Firm—Birch, Stewart, Kolasch & Birch, LLP

[57] CLAIM

The ornamental design for a motorcycle, as shown and described.

DESCRIPTION

FIG. 1 is a front elevational view of a motorcycle showing our new design;

FIG. 2 is a rear elevational view thereof;

FIG. 3 is a top plan view thereof;

FIG. 4 is a bottom plan view thereof;

FIG. 5 is a left side elevational view thereof; and,

FIG. 6 is a right side elevational view thereof.

1 Claim, 5 Drawing Sheets

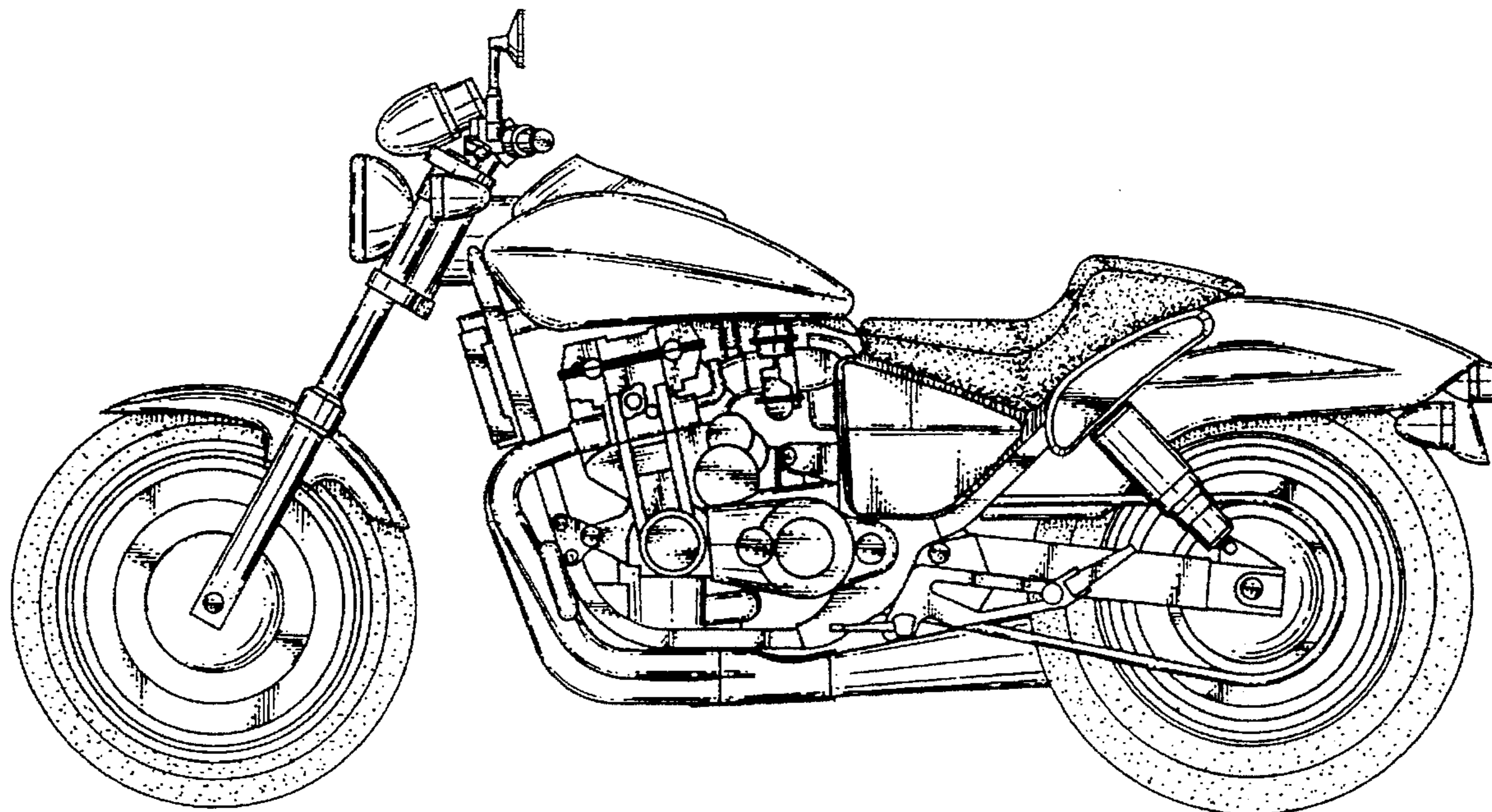


FIG. 1

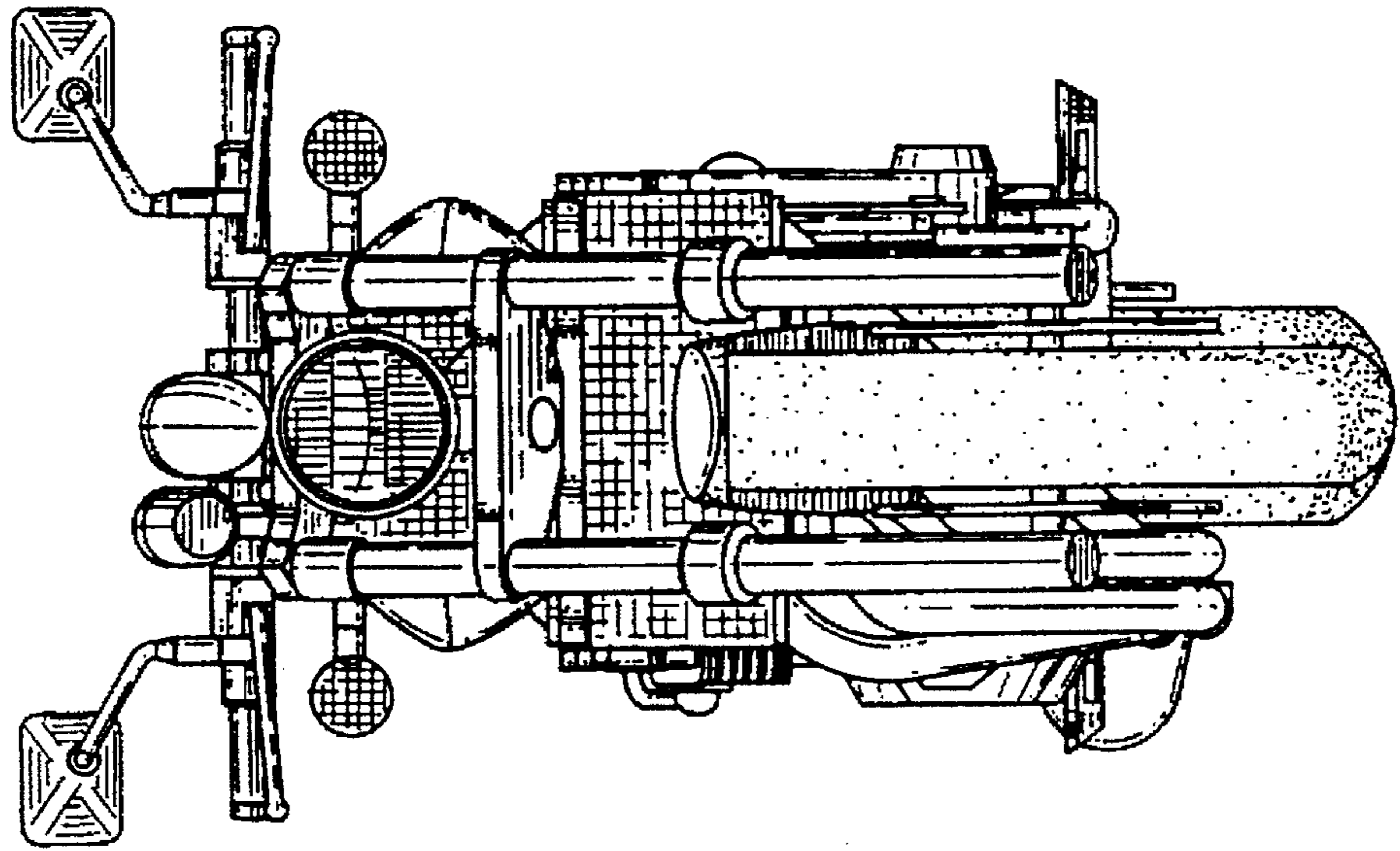


FIG. 2

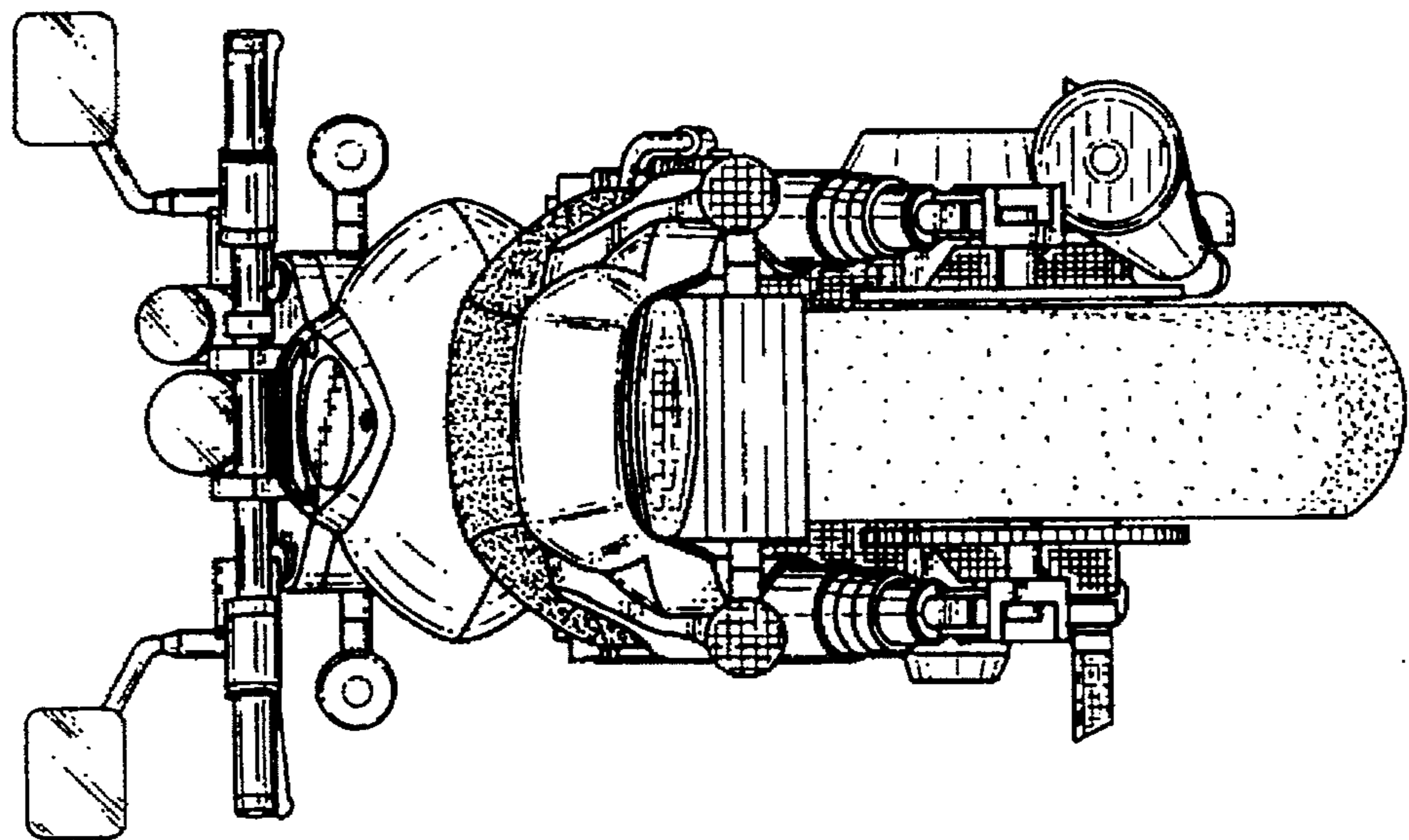


FIG. 3

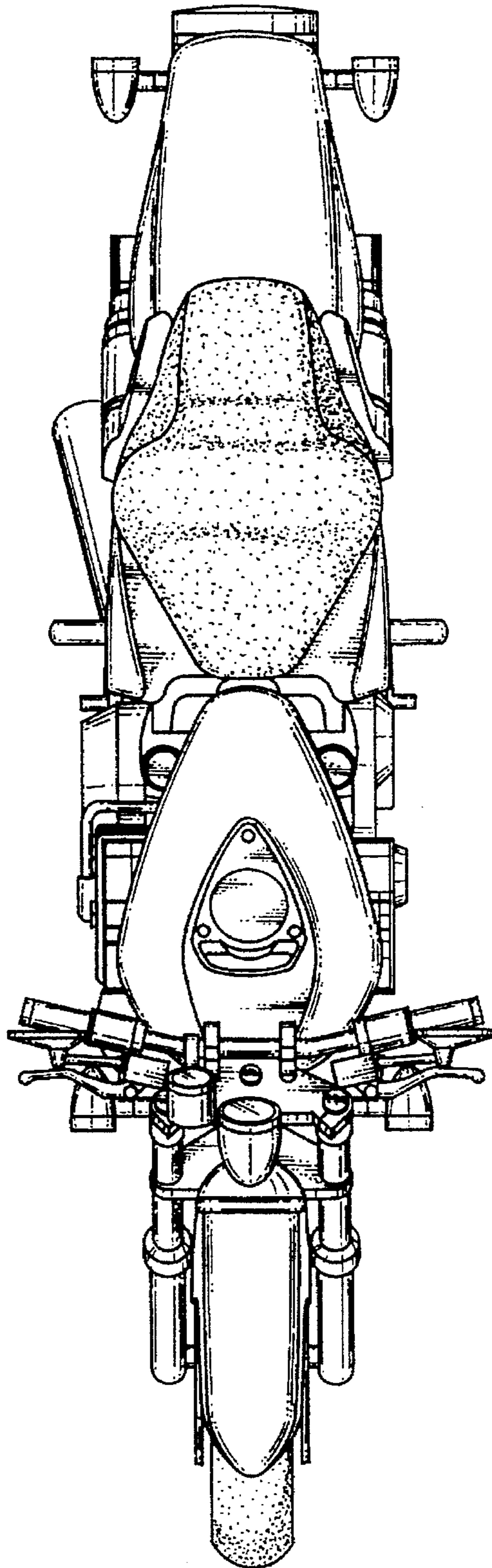


FIG. 4

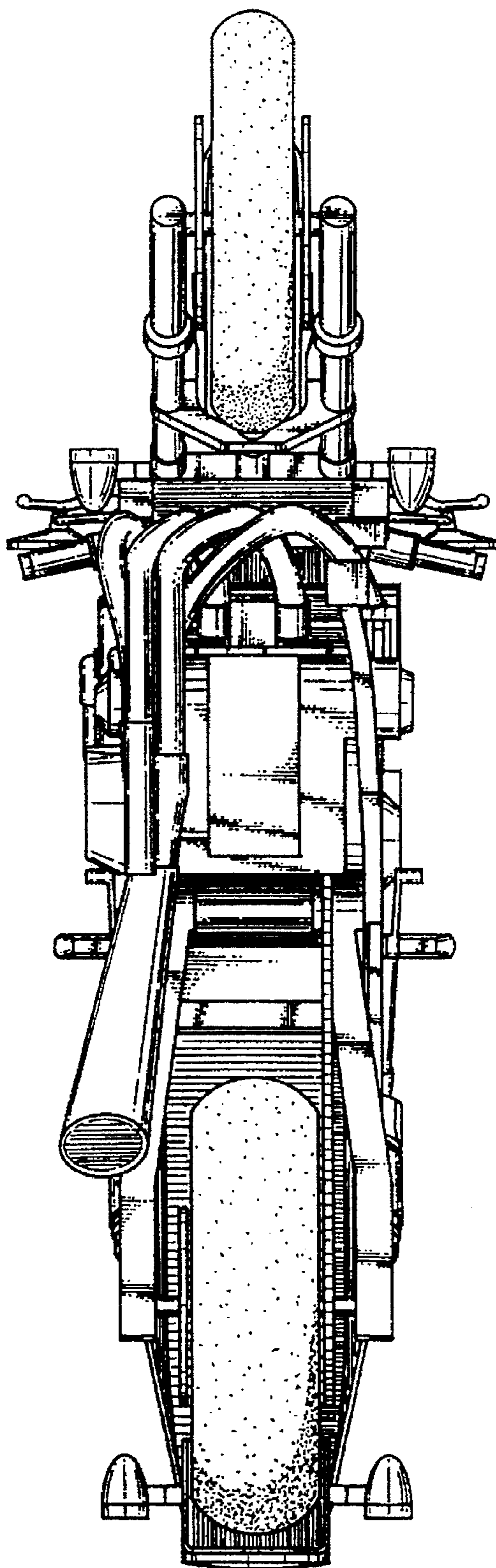
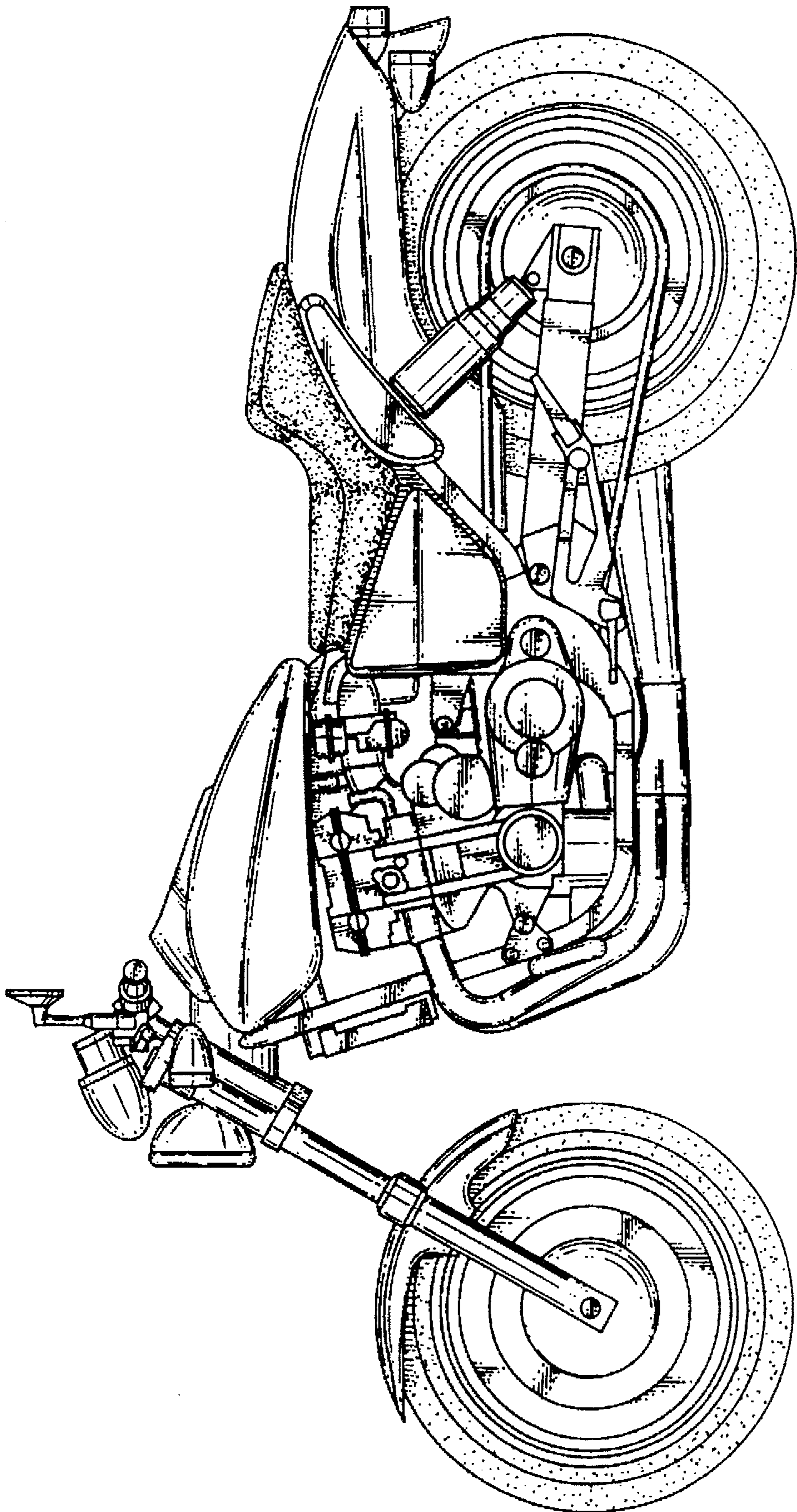


FIG. 5



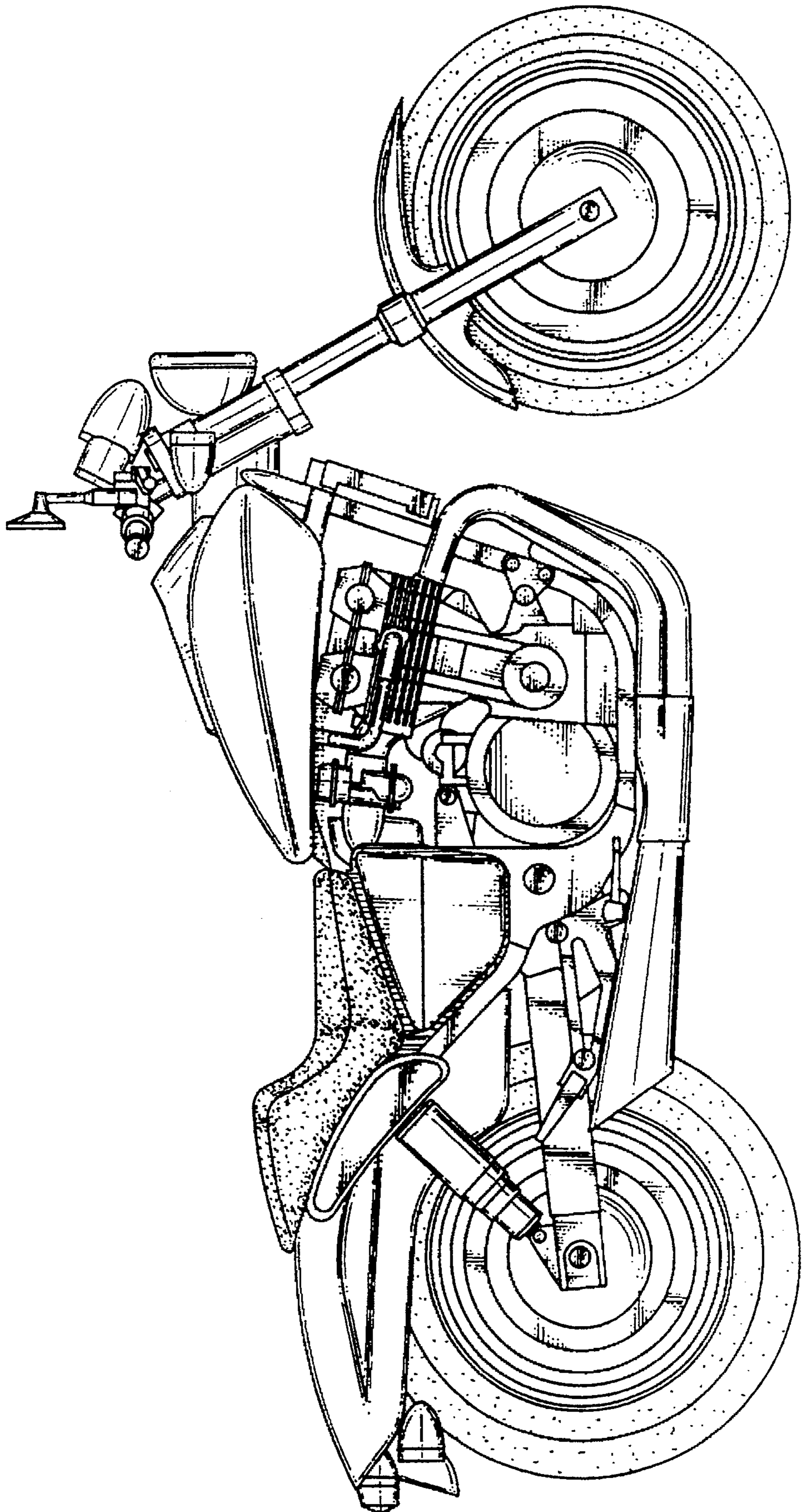


FIG. 6