



US00D379601S

United States Patent [19]
Itzkowitz

[11] **Patent Number:** **Des. 379,601**
[45] **Date of Patent:** ****Jun. 3, 1997**

[54] **JEWELLED EARRING**

[75] **Inventor:** **Israel Itzkowitz**, North Hollywood, Calif.

[73] **Assignee:** **Ambar Diamonds Inc.**, Los Angeles, Calif.

[**] **Term:** **14 Years**

[21] **Appl. No.:** **41,739**

[22] **Filed:** **Jul. 24, 1995**

[51] **LOC (6) Cl.** **11-01**

[52] **U.S. Cl.** **D11/40**

[58] **Field of Search** D11/1, 2, 40-51,
D11/78; 63/1.1, 2, 12-14.8

[56] **References Cited**

U.S. PATENT DOCUMENTS

D. 151,459	10/1948	Lang	D11/226
D. 354,927	1/1995	Andrau	D11/40
D. 355,396	2/1995	Andrau	D11/222
D. 356,052	3/1995	Andrau	D11/40
4,139,993	2/1979	Tucker	63/12

Primary Examiner—Ralf Seifert
Attorney, Agent, or Firm—Howard C. Miskin

[57] **CLAIM**

The ornamental design for a jeweled earring, as shown and described.

DESCRIPTION

FIG. 1 is a perspective view of a jeweled earring showing my new design;

FIG. 2 is a rear elevational view;

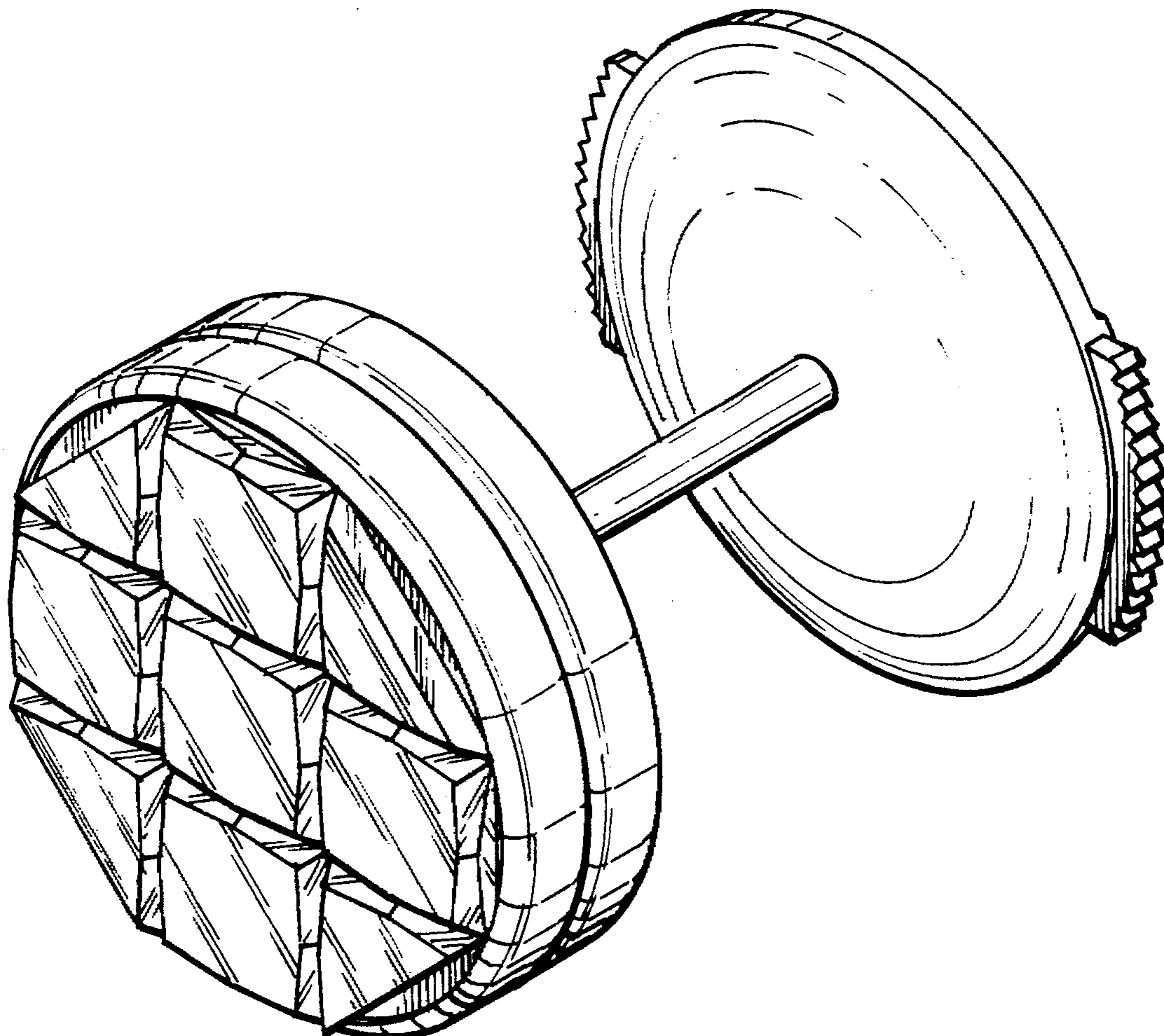
FIG. 3 is a left side view of the earring, with the right side view being a mirror image;

FIG. 4 is a front elevational view;

FIG. 5 is a front elevational view of a jeweled earring showing a second embodiment of my new design, it being understood that all side views are like those shown in FIGS. 1-4; and,

FIG. 6 is a front elevational view of a jeweled earring showing a third embodiment of my new design, it being understood that all side views are like those shown in FIGS. 1-4.

1 Claim, 2 Drawing Sheets



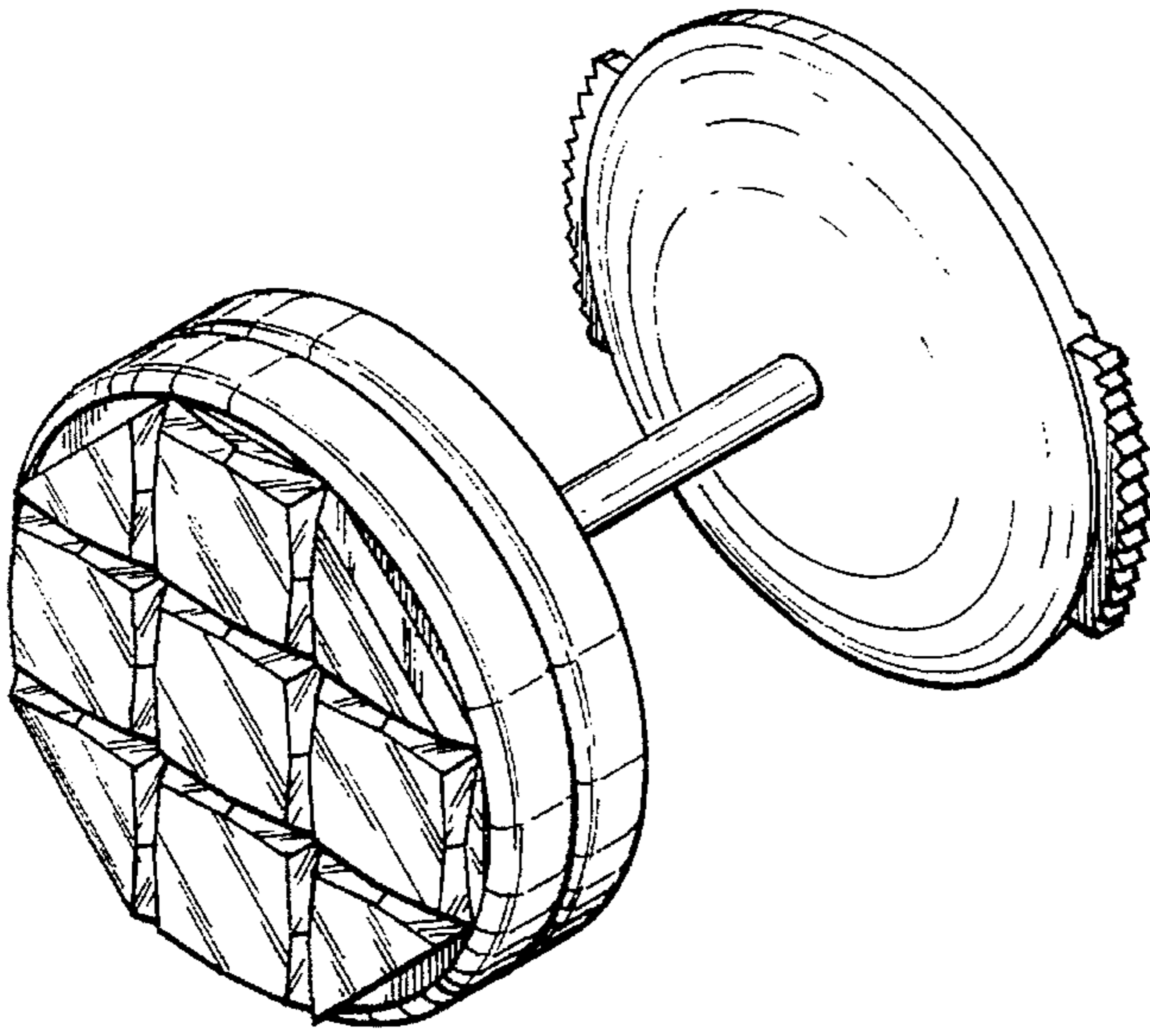


Fig. 1.

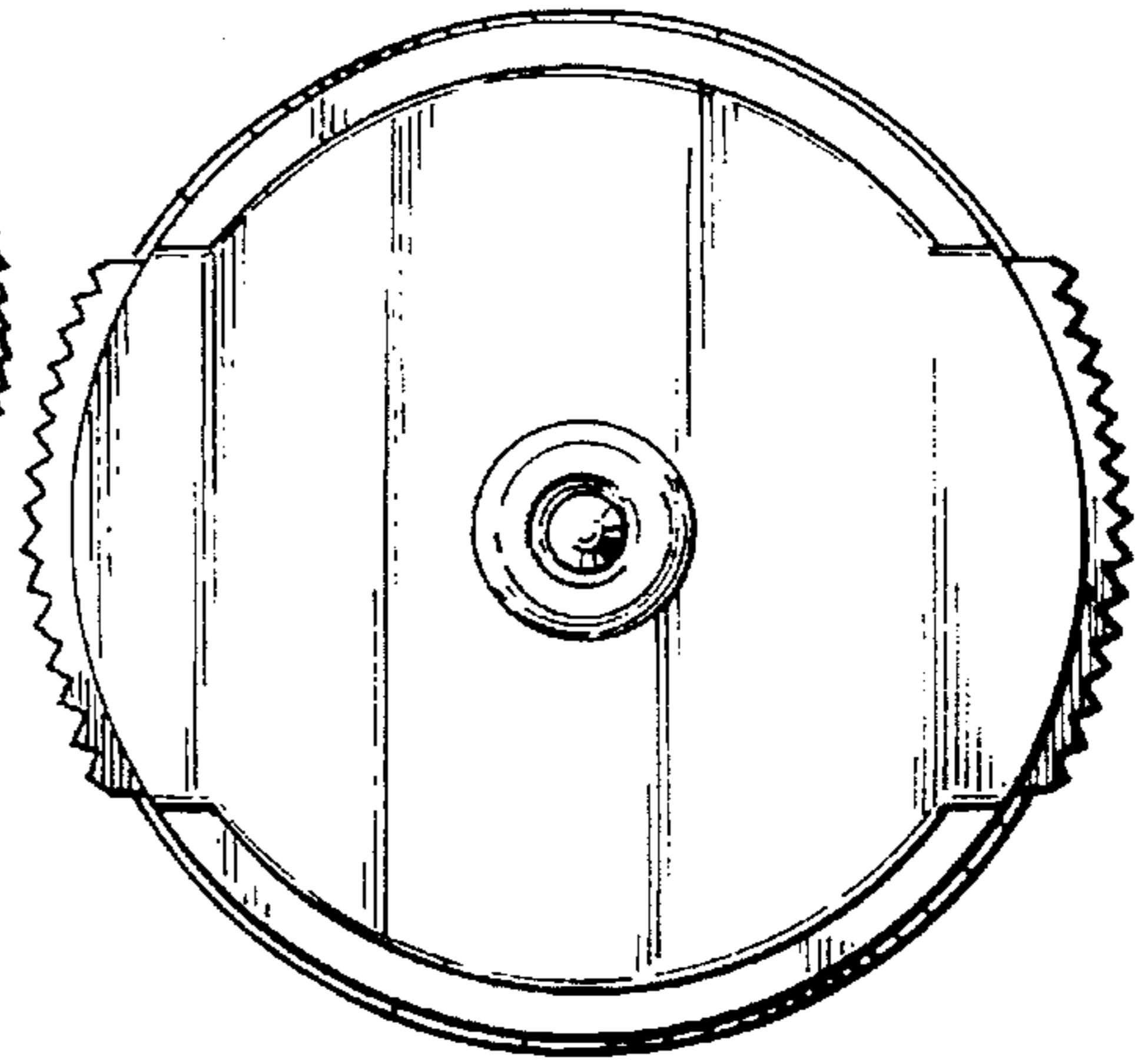


Fig. 2.

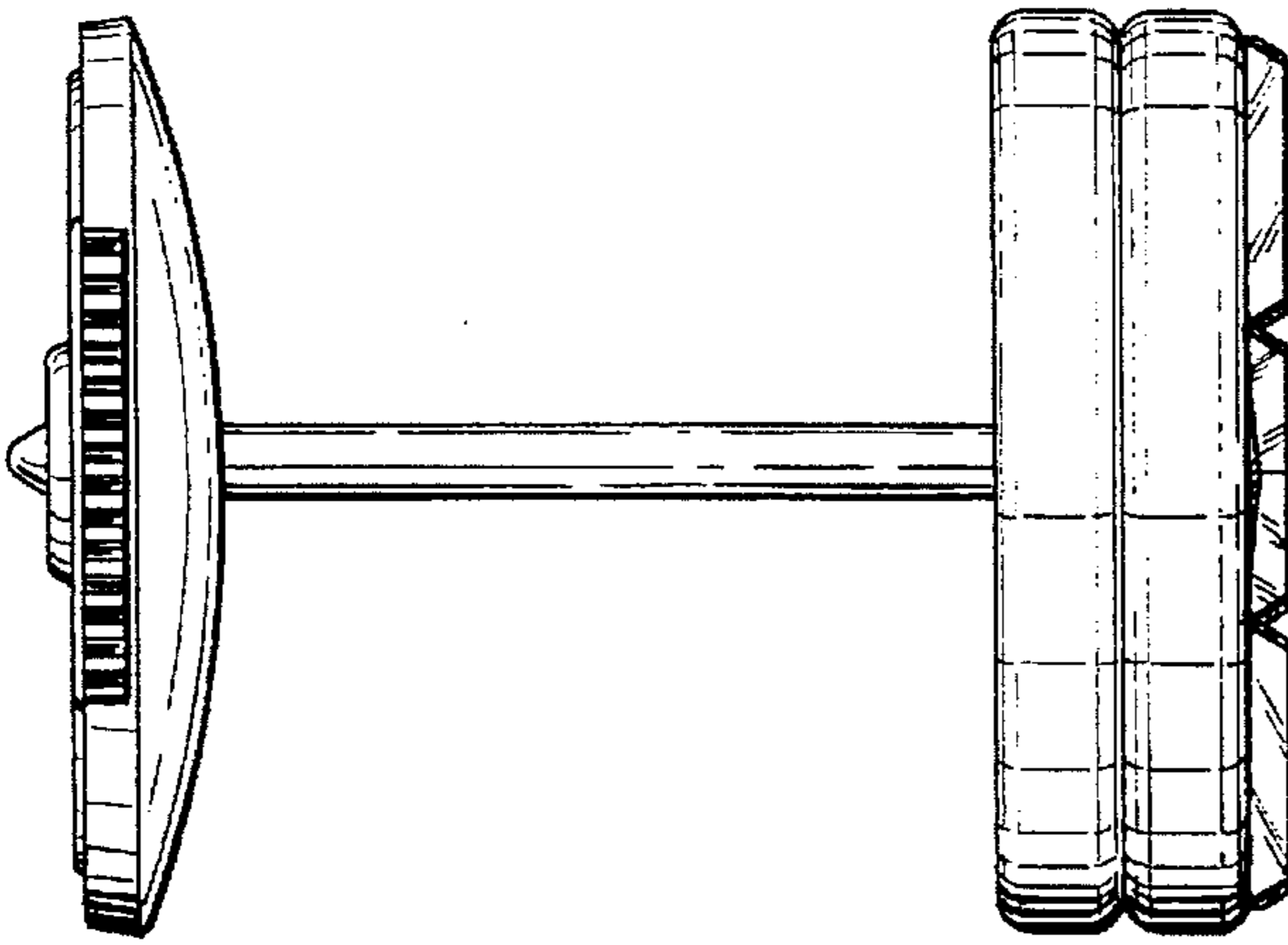


Fig. 3.

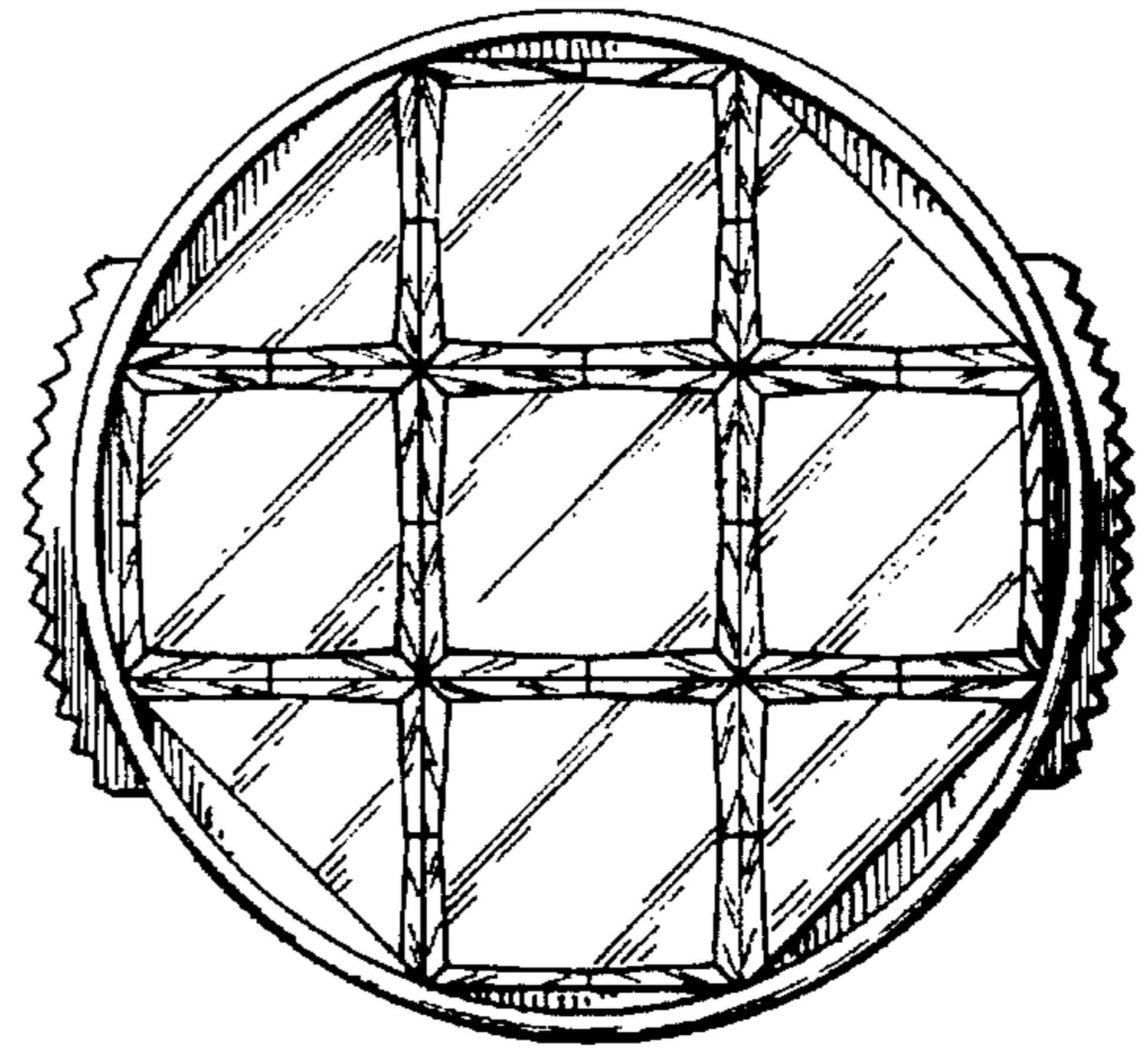


Fig. 4.

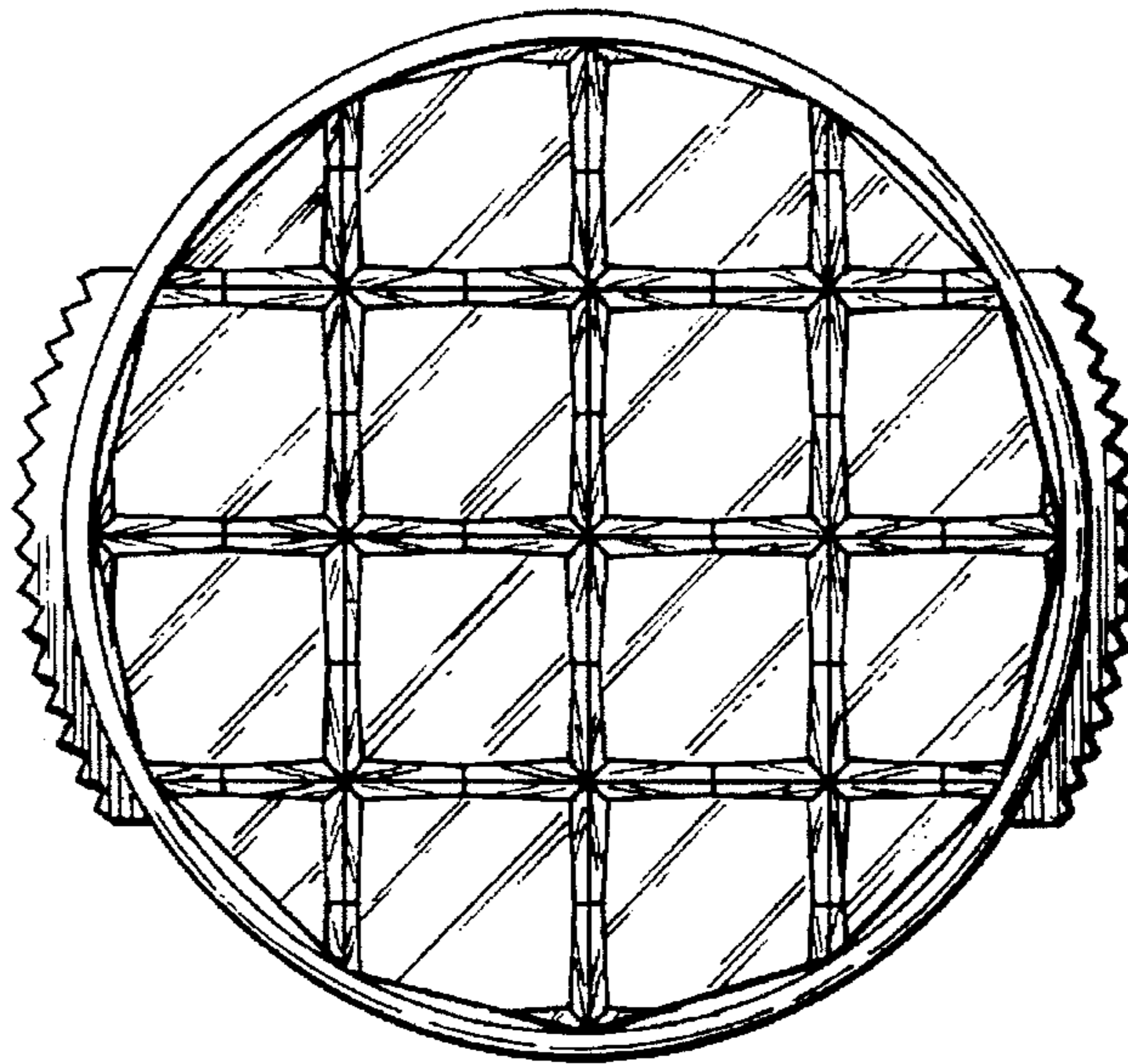


Fig. 5.

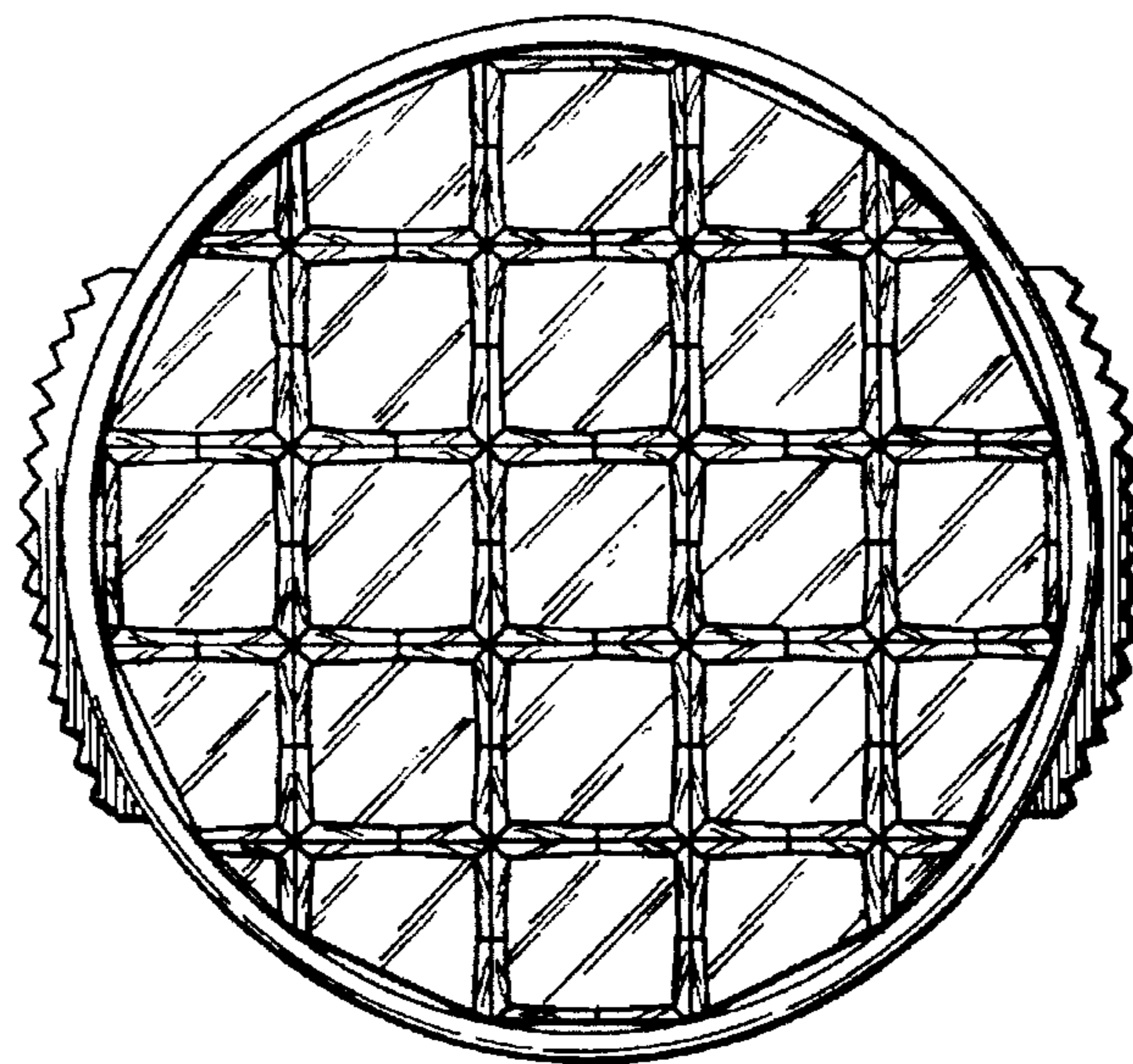


Fig. 6.