



US00D379600S

United States Patent [19]
Gardner

[11] **Patent Number: Des. 379,600**

[45] **Date of Patent: ***Jun. 3, 1997**

[54] **FINGER RING**

[75] Inventor: **William D. Gardner**, Nr. Barnet, England

[73] Assignee: **Hennel Of Bond Street Limited**, London, England

[*] Notice: The portion of the term of this patent subsequent to Jul. 23, 2010, has been disclaimed.

[**] Term: **14 Years**

[21] Appl. No.: **36,503**

[22] Filed: **Mar. 22, 1995**

[30] **Foreign Application Priority Data**

Sep. 29, 1994 [GB] United Kingdom 2042186

[51] **LOC (6) Cl.** **11-01**

[52] **U.S. Cl.** **D11/27**

[58] **Field of Search** D11/1-18, 26-39; 63/1.1, 2, 3

[56] **References Cited**

U.S. PATENT DOCUMENTS

D. 252,866 9/1979 Barr D11/27

OTHER PUBLICATIONS

Goldschmiede Zeitung Oct. 1987 Item located lower right of p. 87.

Primary Examiner—Ralf Seifert
Attorney, Agent, or Firm—Abelman, Frayne & Schwab

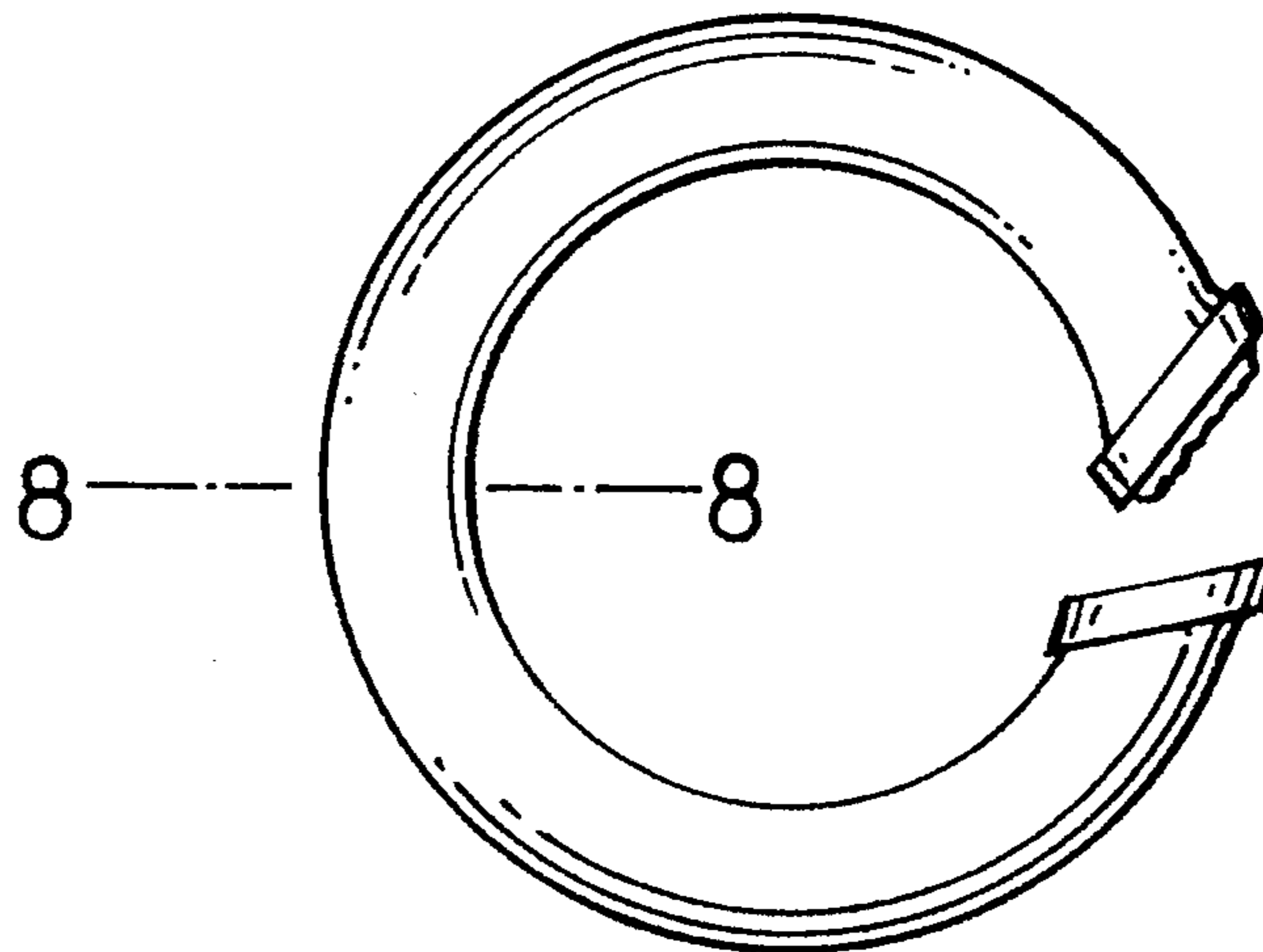
[57] **CLAIM**

The ornamental design for a finger ring, as shown and described.

DESCRIPTION

FIG. 1 is a front elevation of the finger ring;
FIG. 2 is a perspective view thereof taken from the right hand side of FIG. 1;
FIG. 3 is a plan view of FIG. 1;
FIG. 4 is an underside plan view of FIG. 1;
FIG. 5 is a rear elevation of FIG. 1;
FIG. 6 is a right side elevation of FIG. 5;
FIG. 7 is a left side elevation of FIG. 5; and,
FIG. 8 is a cross-section on the line 8—8 in FIG. 1.
The appearance of the end of the finger ring, not shown, is plain and unornamented.

1 Claim, 2 Drawing Sheets



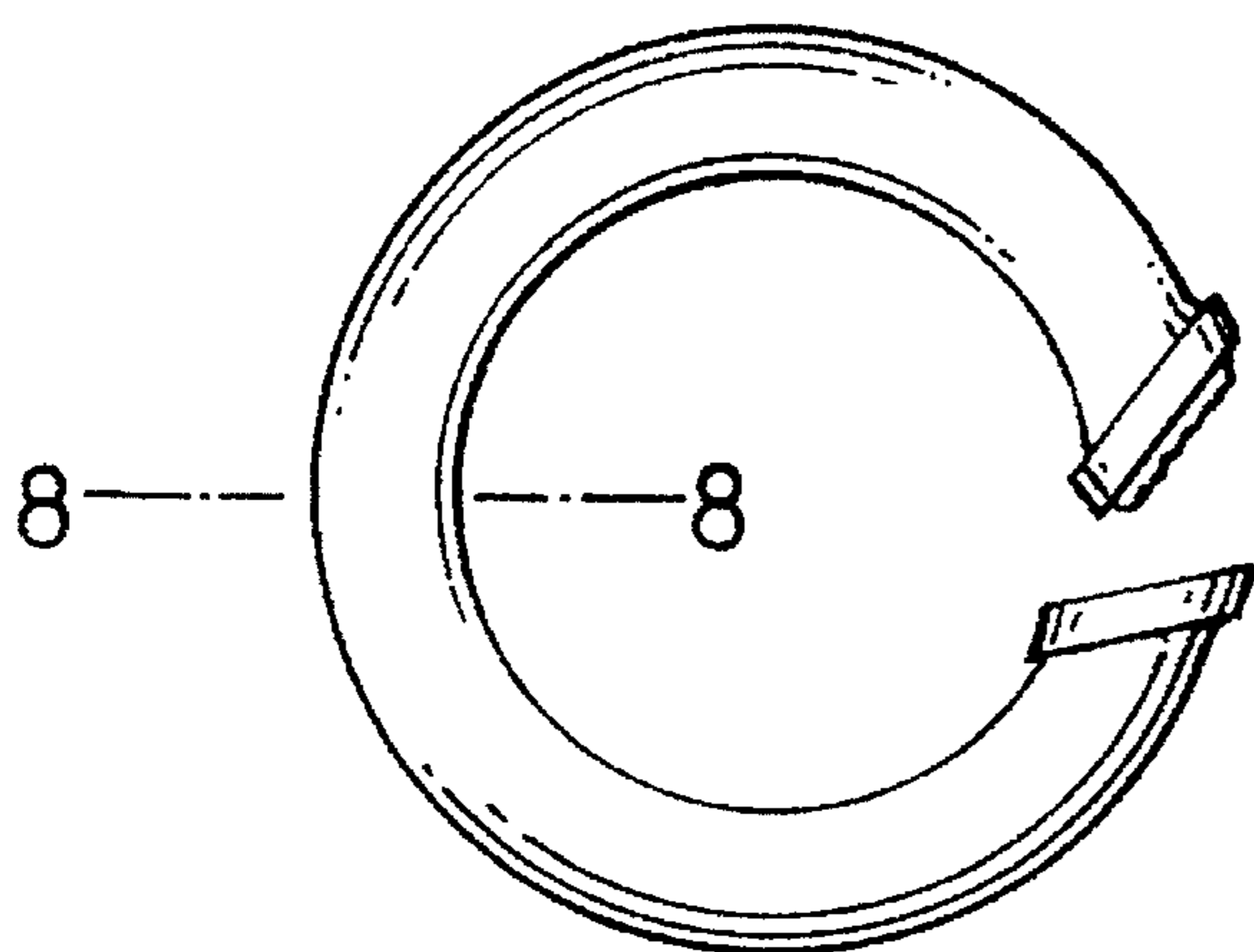


Fig. 1

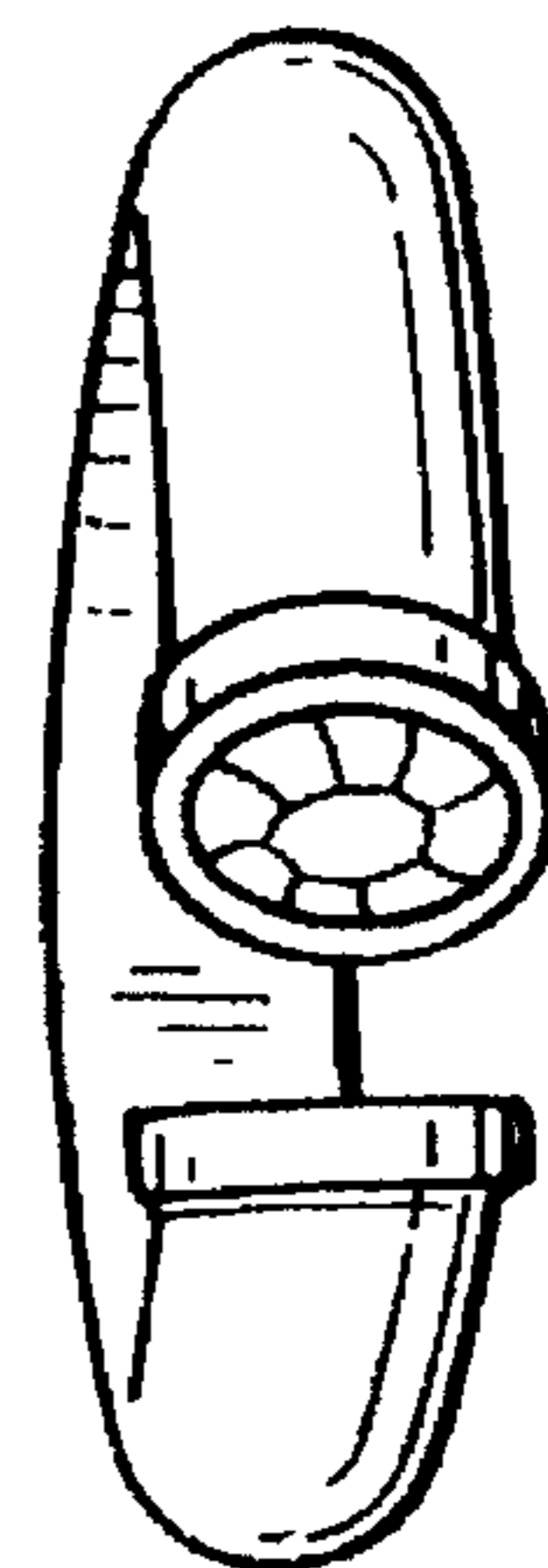


Fig. 2

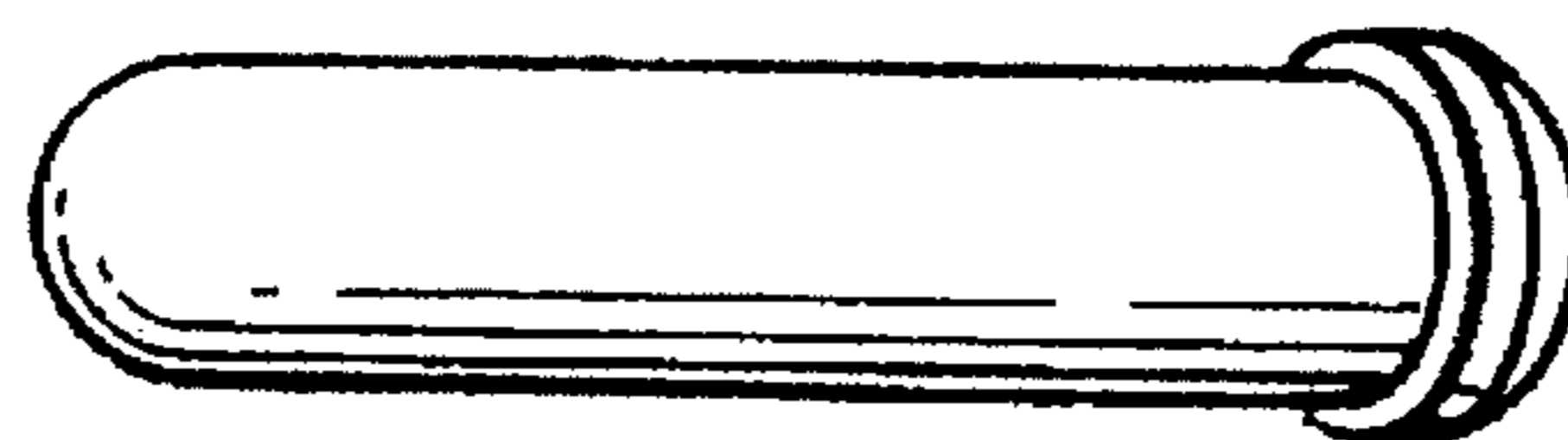


Fig. 3

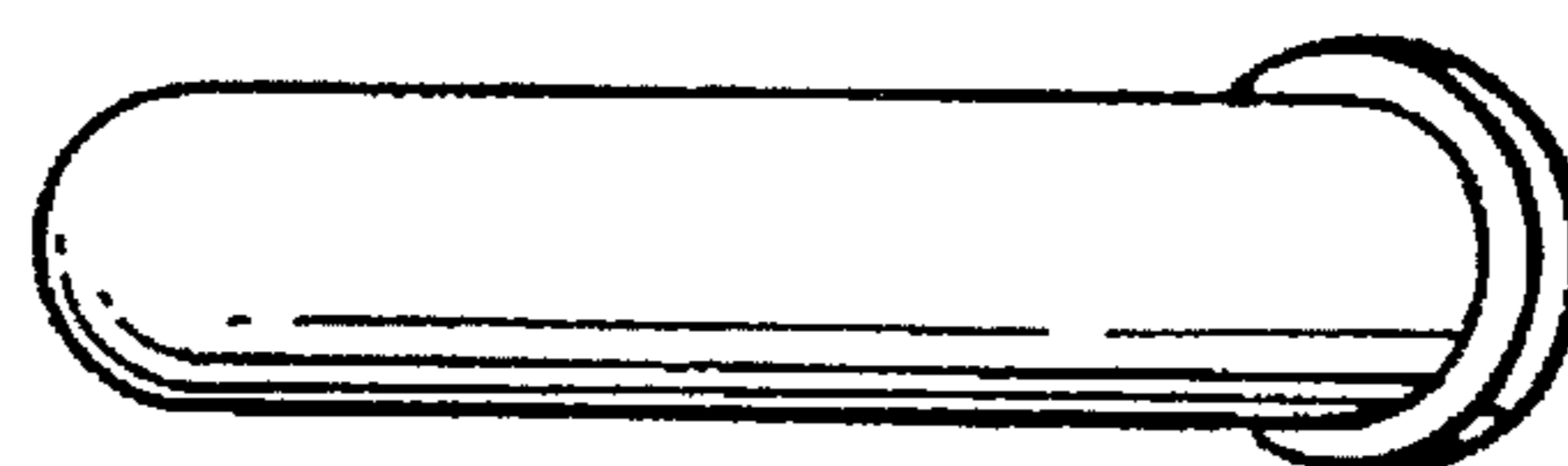


Fig. 4

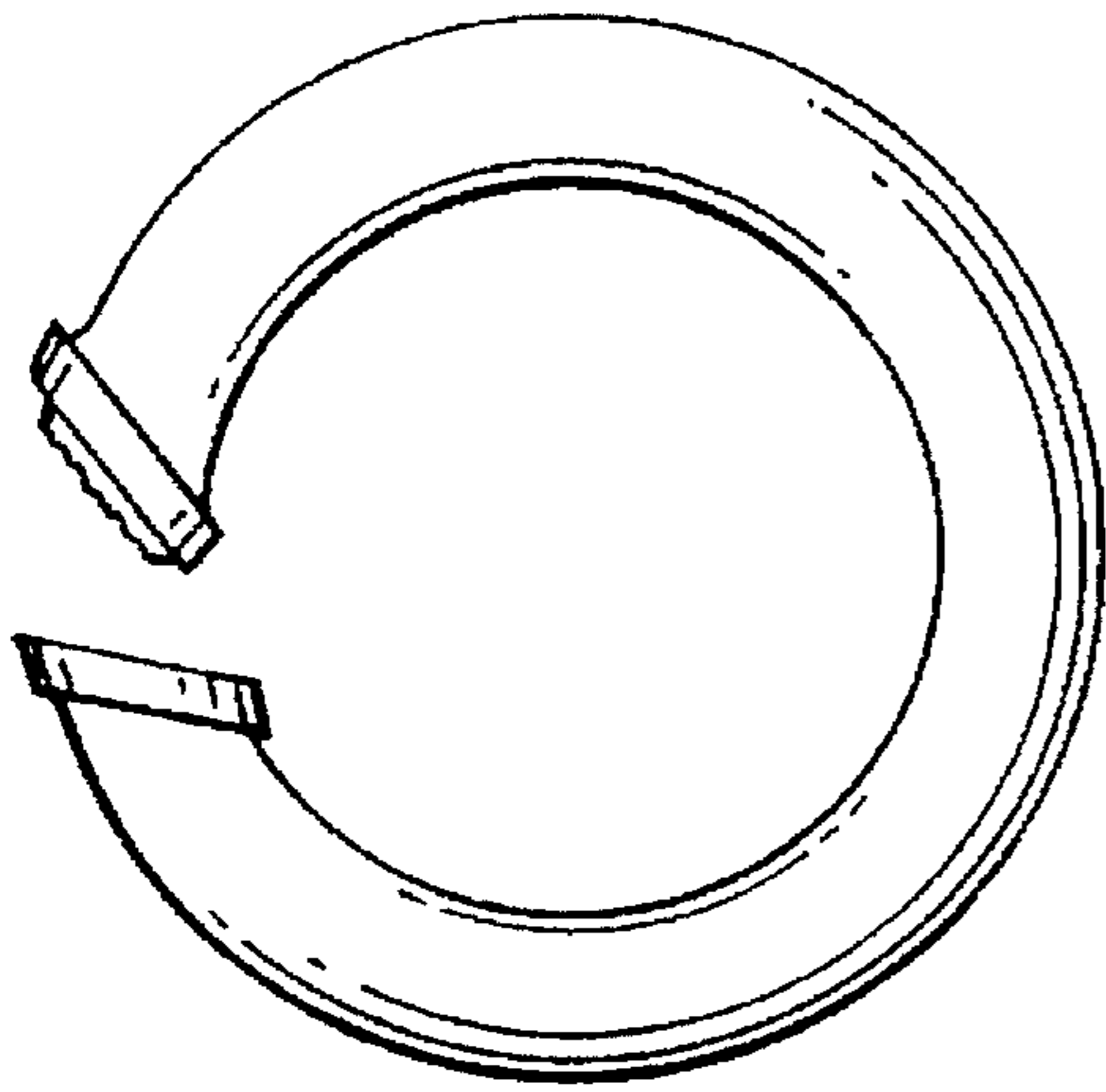


Fig. 5

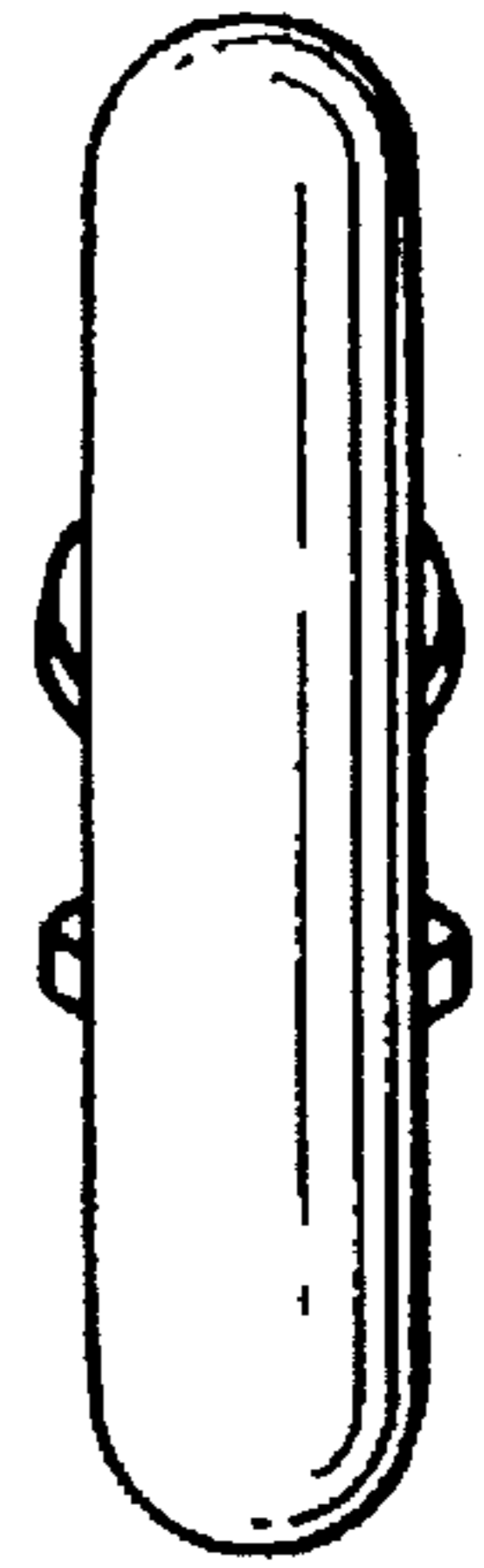


Fig. 6

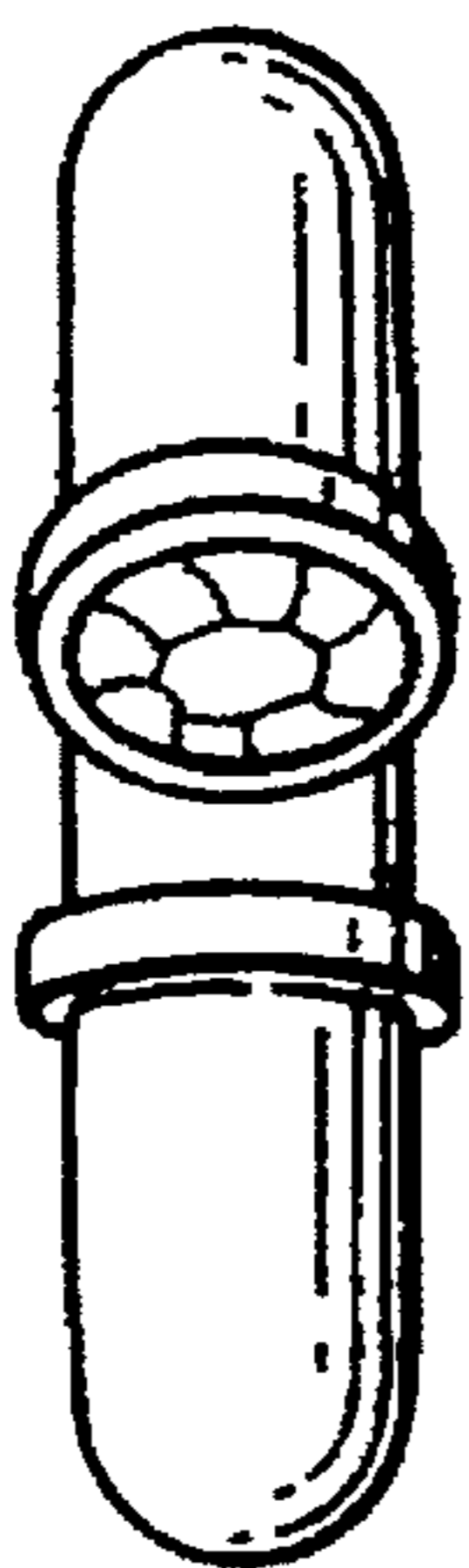


Fig. 7

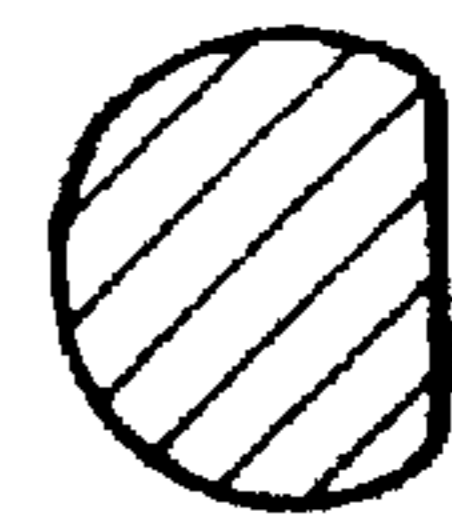


Fig. 8