



US00D379597S

United States Patent [19]
Alvarez Gago

[11] **Patent Number:** **Des. 379,597**
[45] **Date of Patent:** ****Jun. 3, 1997**

[54] **WATCH**

[76] **Inventor:** **José Alvarez Gago, Regimiento de Toledo 1, 30-B, Zamora 49011, Spain**

[**] **Term:** **14 Years**

[21] **Appl. No.:** **50,034**

[22] **Filed:** **Feb. 7, 1996**

[30] **Foreign Application Priority Data**

Aug. 16, 1995 [ES] Spain 135.670
Aug. 16, 1995 [ES] Spain 9502198

[51] **LOC (6) Cl.** **10-02**

[52] **U.S. Cl.** **D10/39**

[58] **Field of Search** D10/1-40, 122-132;
368/280-282, 276-277, 285

[56] **References Cited**

U.S. PATENT DOCUMENTS

D. 271,472 11/1983 Malamoud D10/38
D. 357,873 5/1995 Silberstein D10/39 X

FOREIGN PATENT DOCUMENTS

1259766 3/1961 France D10/30

OTHER PUBLICATIONS

Jeweler's Circular-Keystone-May 1975-p. 95-Watch at bottom left.

Jeweler's Circular-Keystone-Jun. 1979-p. 112-Watches at right, top & bottom.

Hong Kong Trader-Feb. 27, 1980-p. 3-Watches at left-top.

Primary Examiner-Nelson C. Holtje
Attorney, Agent, or Firm-Ladas & Parry

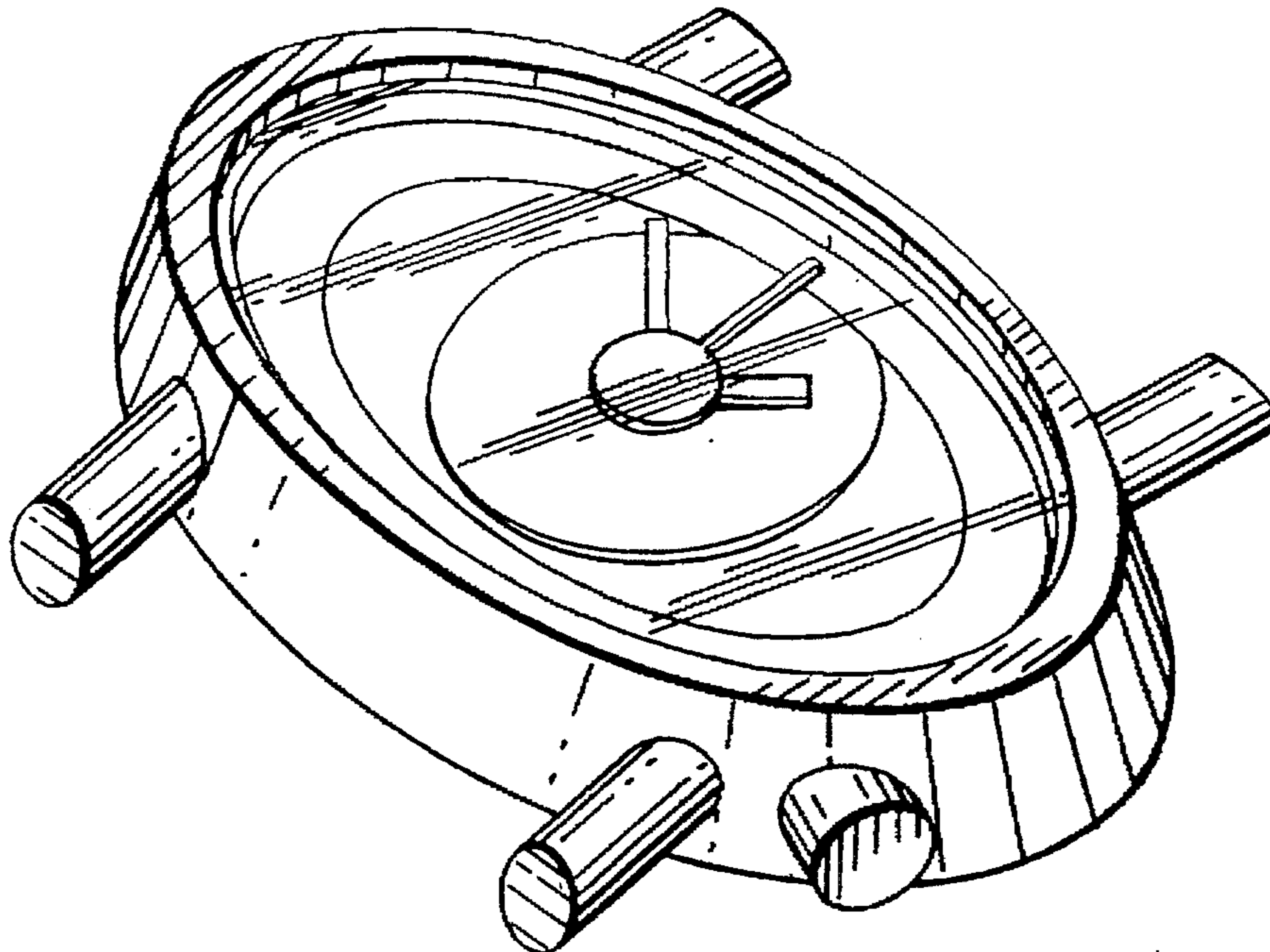
[57] **CLAIM**

The ornamental design for a watch, as shown.

DESCRIPTION

FIG. 1 is a perspective view of a first embodiment of the watch of the invention;
FIG. 2 is a bottom view of same;
FIG. 3 is a rear view of same;
FIG. 4 is a left side view of same;
FIG. 5 is a top view of same;
FIG. 6 is a right side view of same;
FIG. 7 is a front view of same;
FIG. 8 is a perspective view of a second embodiment of the watch of the invention;
FIG. 9 is a bottom view of same;
FIG. 10 is a rear view of same;
FIG. 11 is a left side view of same;
FIG. 12 is a top view of same;
FIG. 13 is a right side view of same;
FIG. 14 is a front view of same;
FIG. 15 is a perspective view of a third embodiment of the watch of the invention;
FIG. 16 is a bottom view of same;
FIG. 17 is a rear view of same;
FIG. 18 is a left side view of same;
FIG. 19 is a top view of same;
FIG. 20 is a right side view of same;
FIG. 21 is a front view of same;
FIG. 22 is a perspective view of a fourth embodiment of the watch of the invention;
FIG. 23 is a bottom view of same;
FIG. 24 is a rear view of same;
FIG. 25 is a left side view of same;
FIG. 26 is a top view of same;
FIG. 27 is a right side view of same, and;
FIG. 28 is a front view of same.

1 Claim, 4 Drawing Sheets



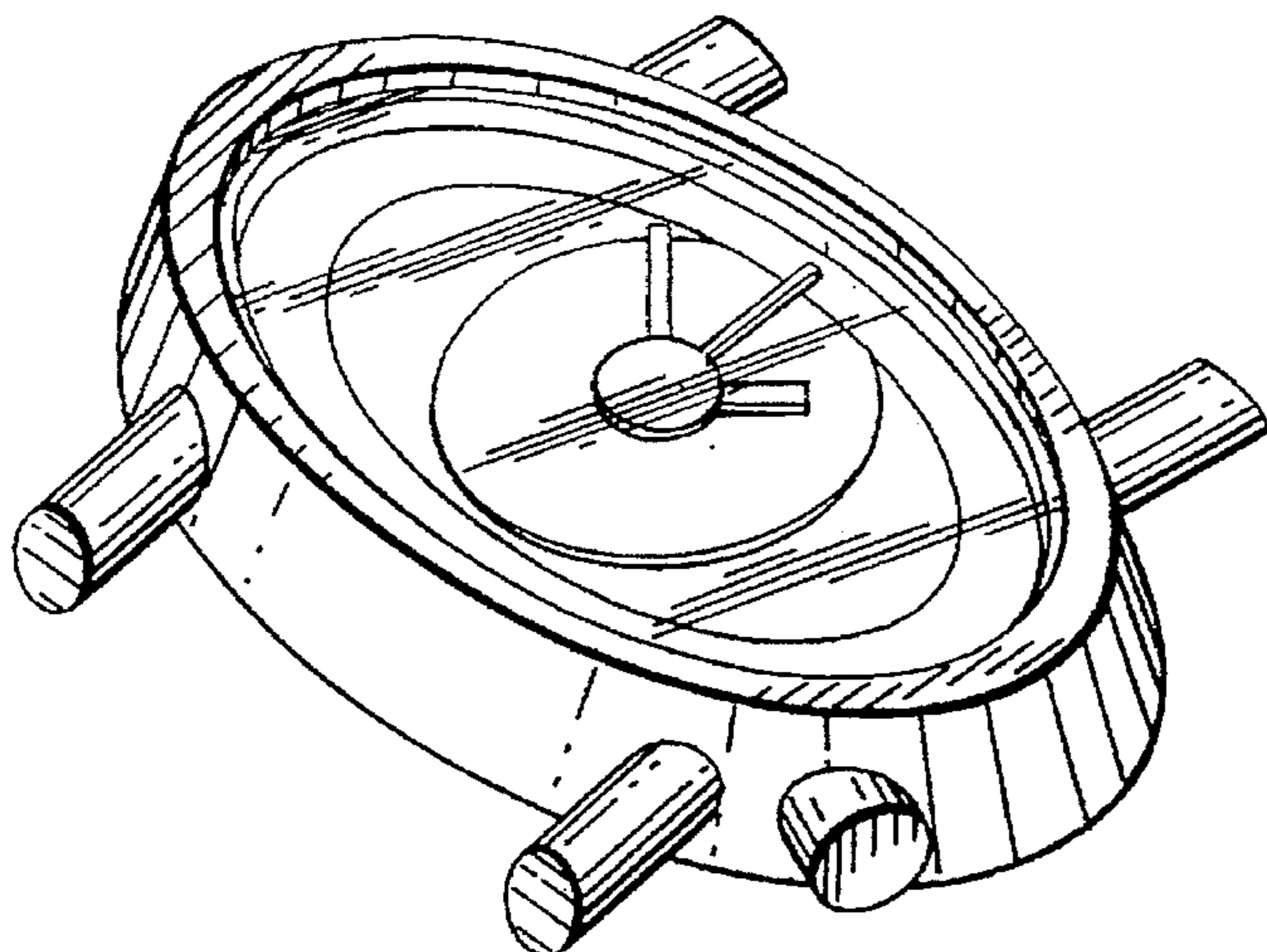


FIG. 1

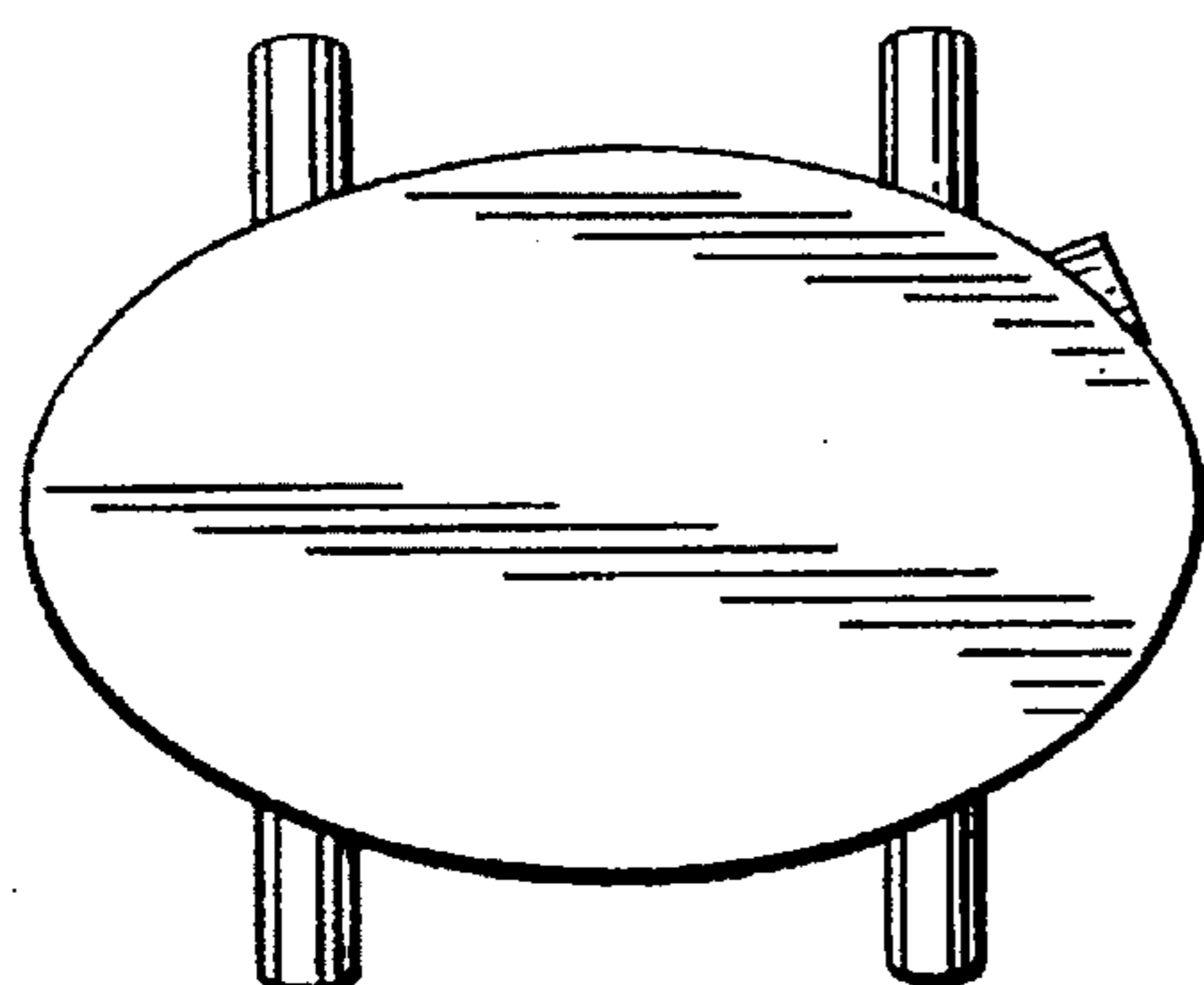


FIG. 2



FIG. 3

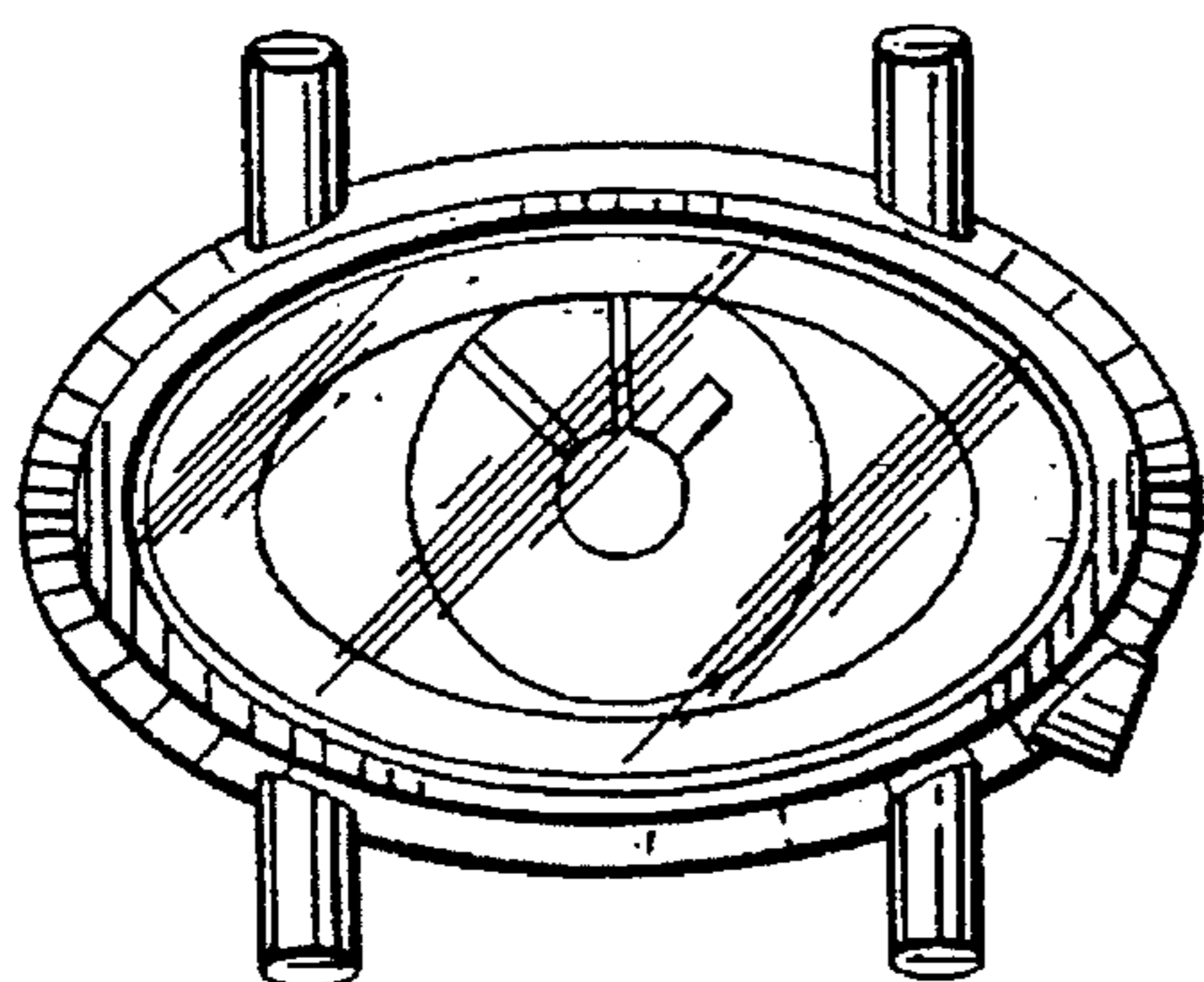


FIG. 5



FIG. 4



FIG. 6

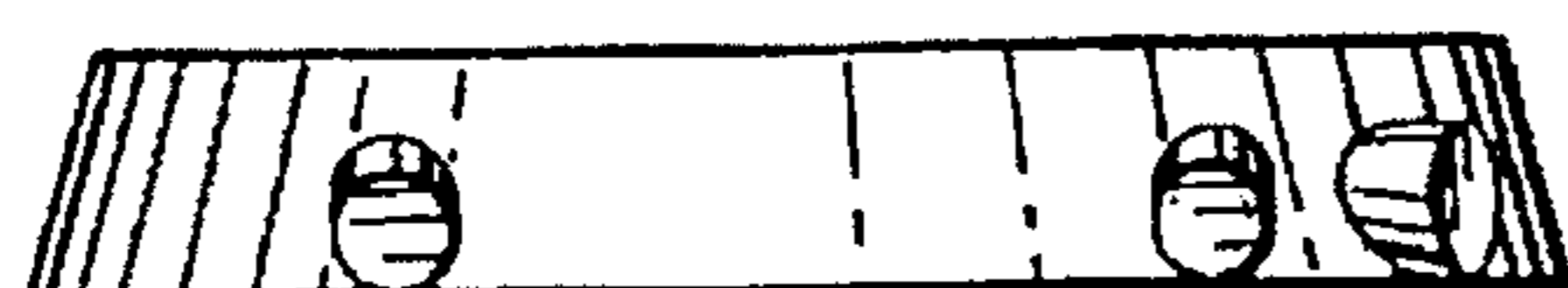


FIG. 7

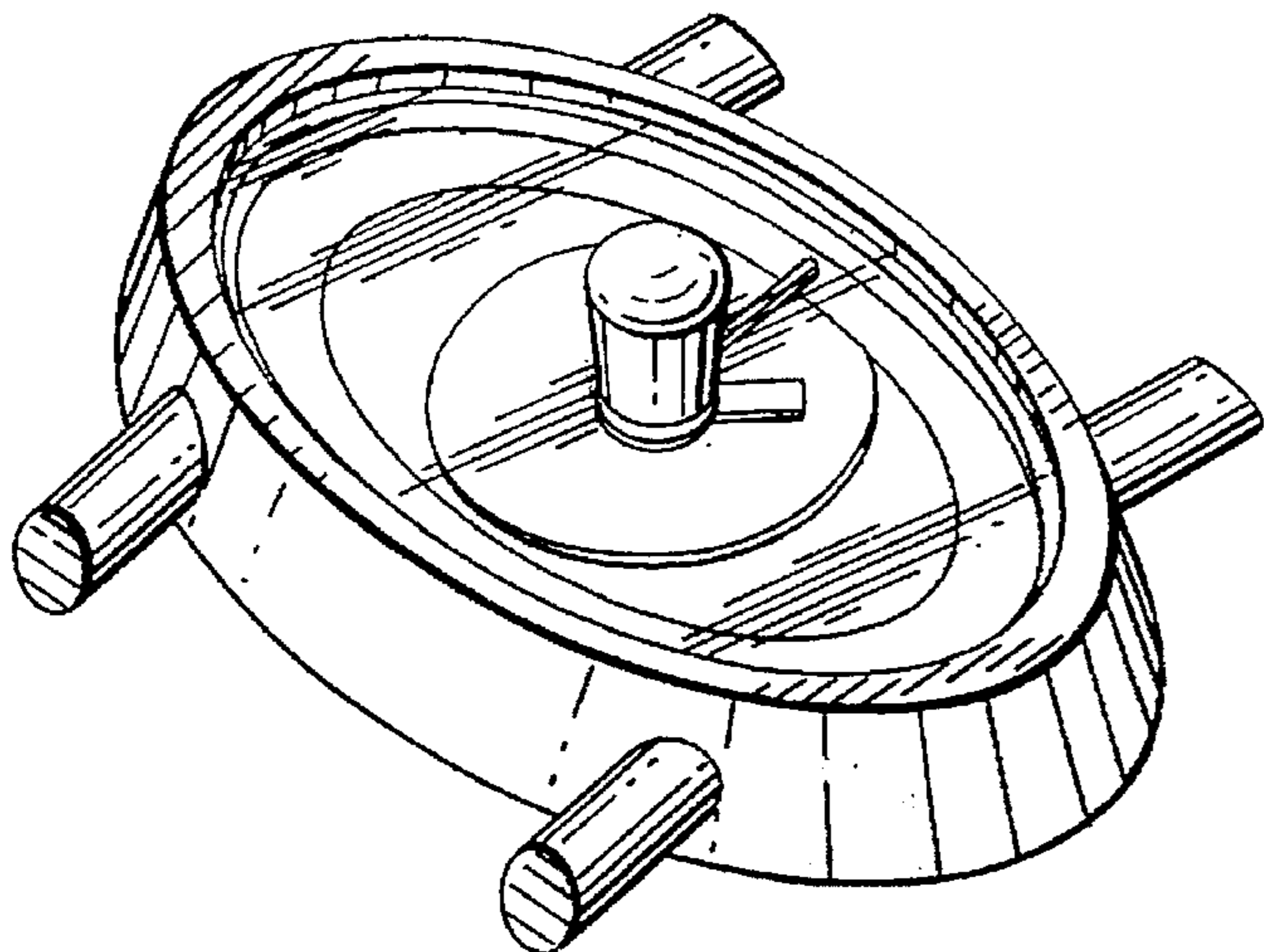


FIG. 8

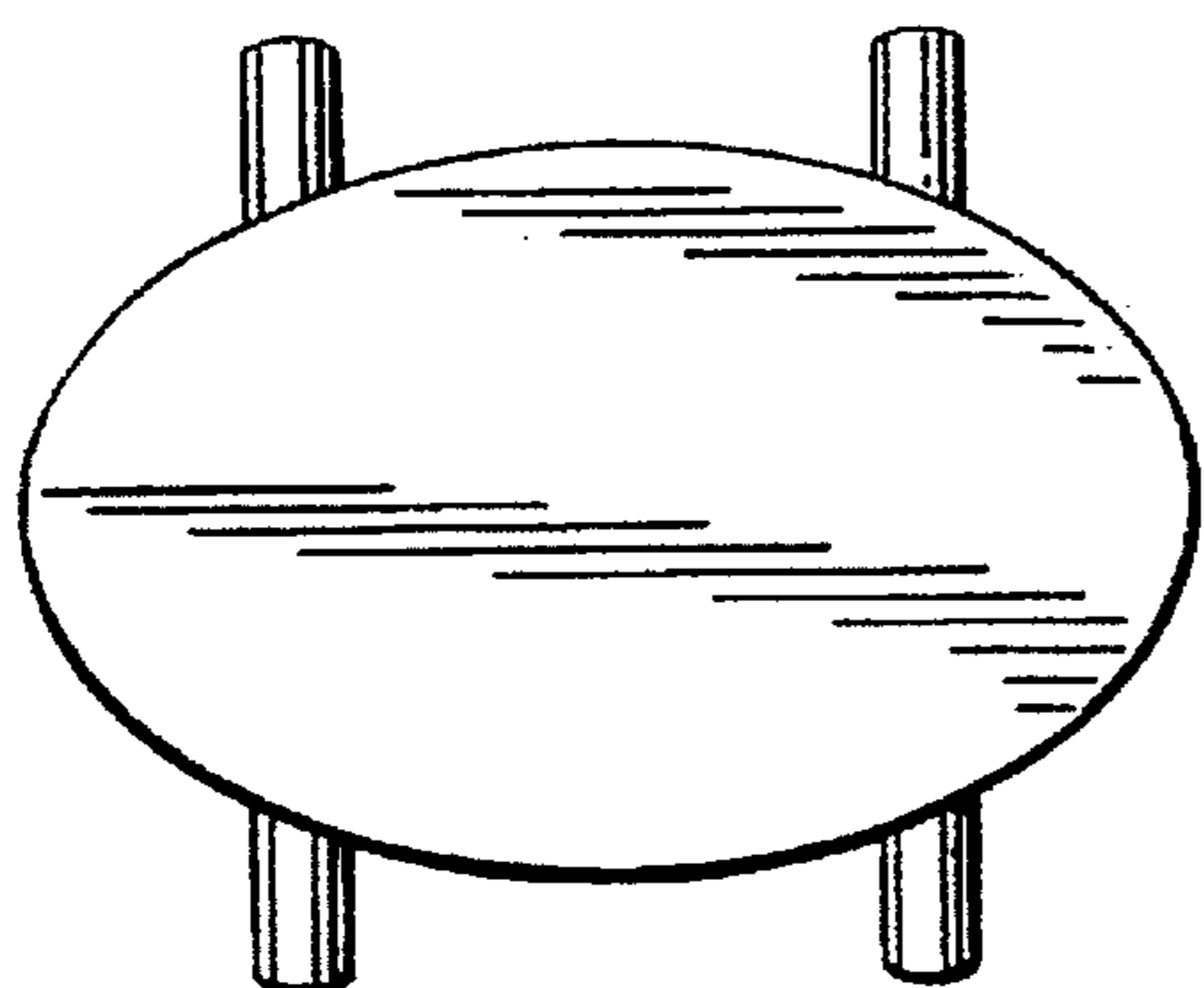


FIG. 9

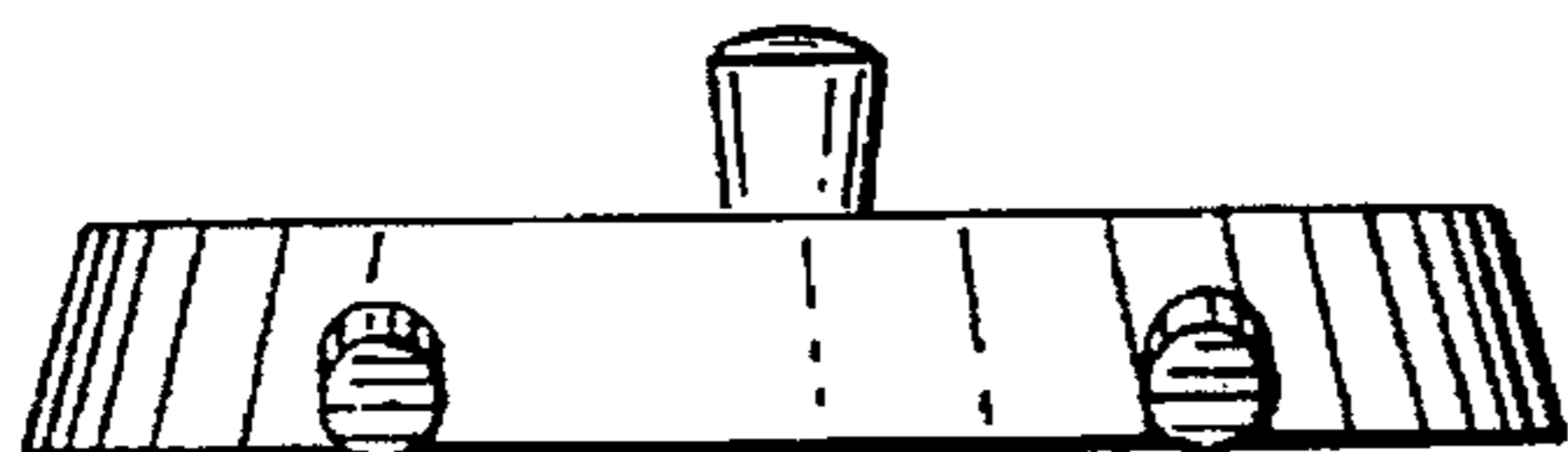


FIG. 10

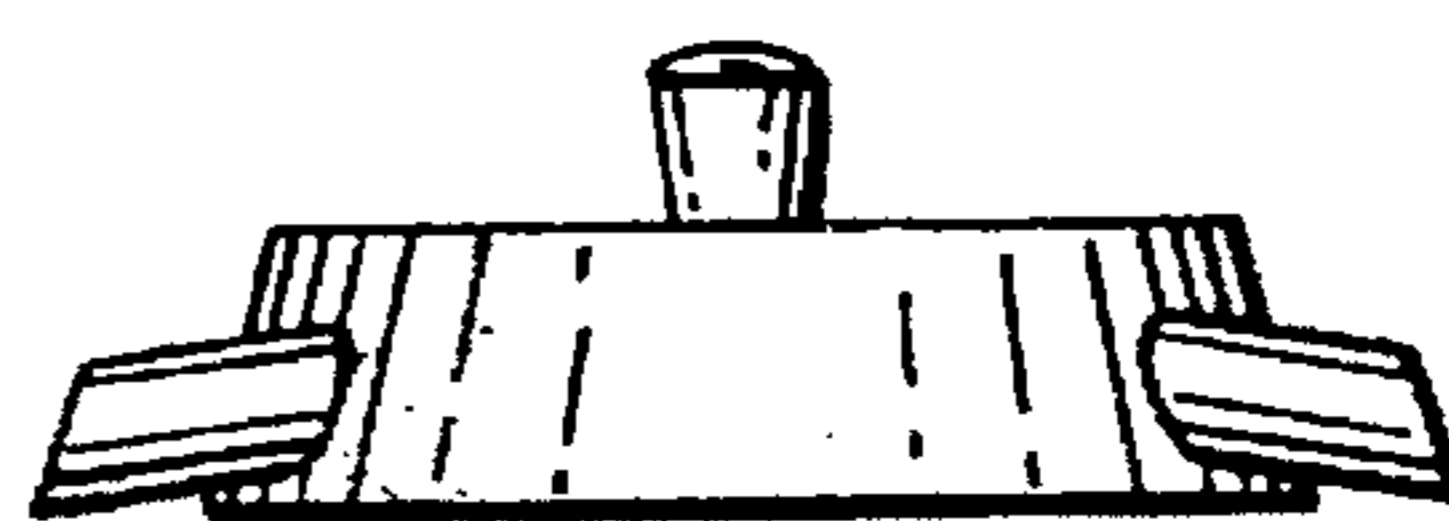


FIG. 11

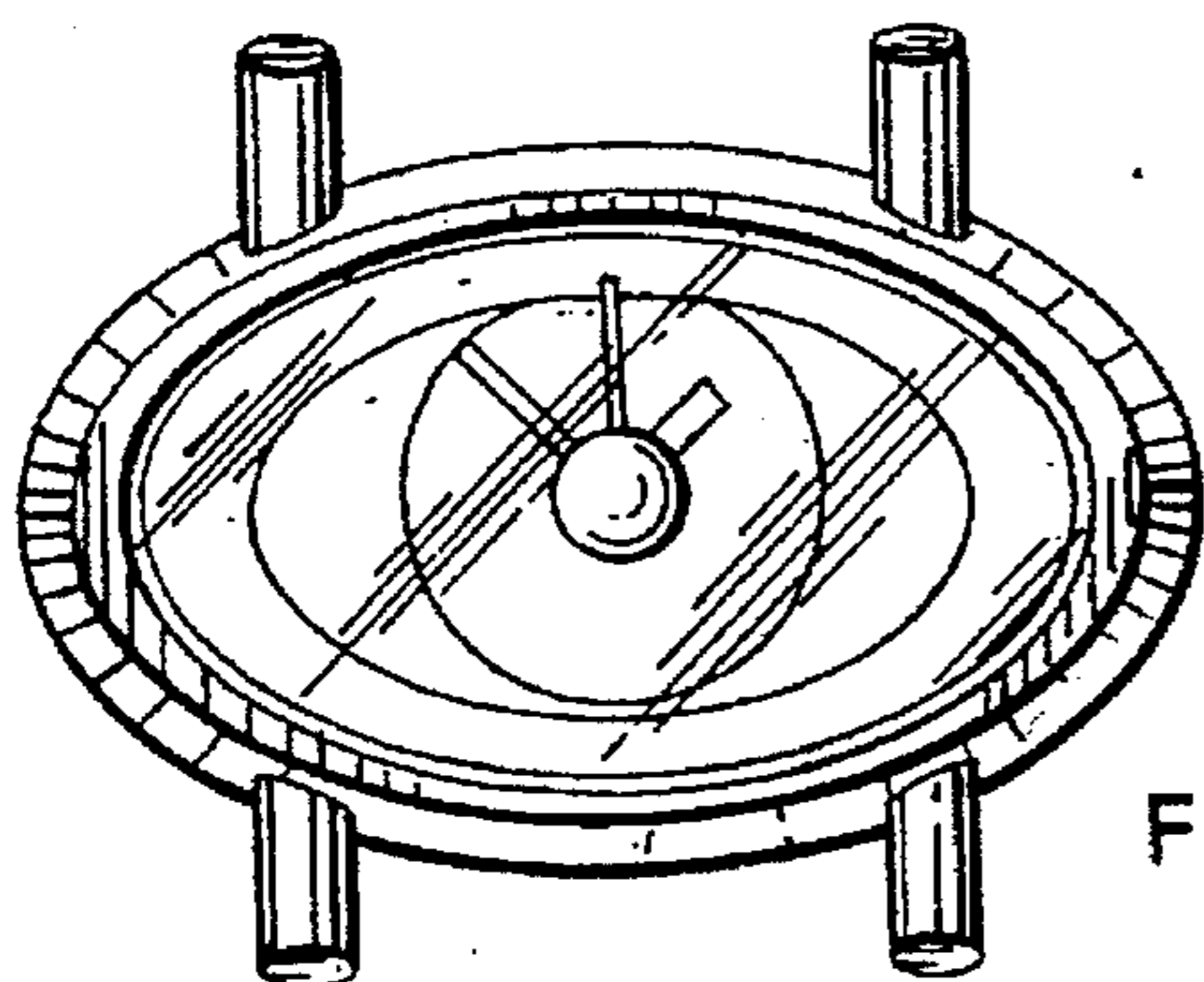


FIG. 12

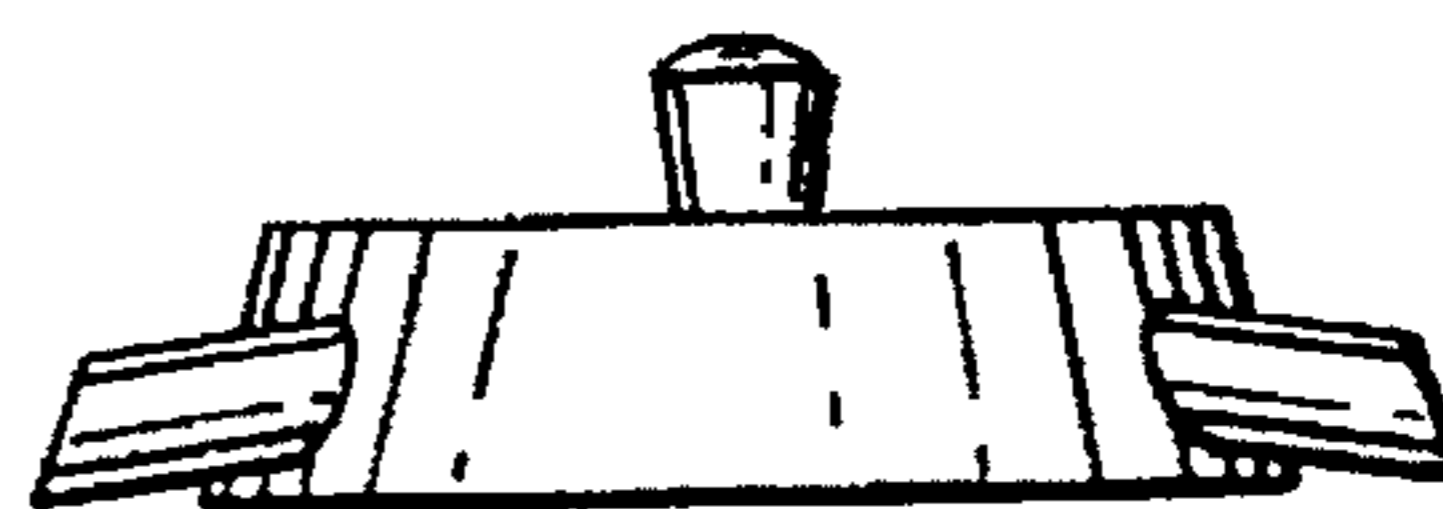


FIG. 13

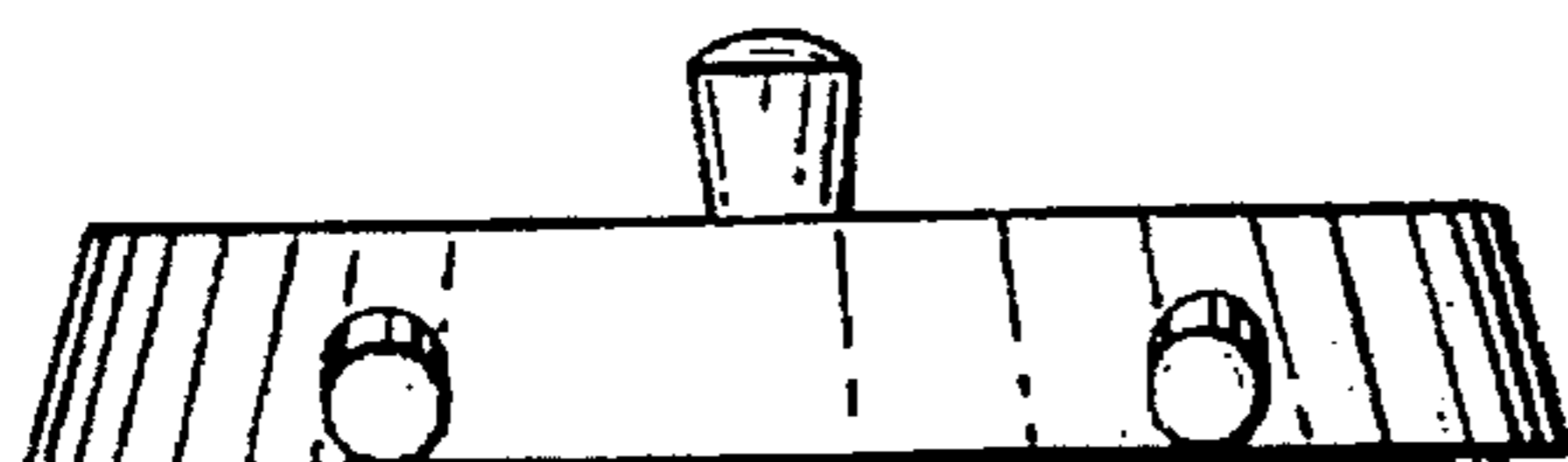


FIG. 14

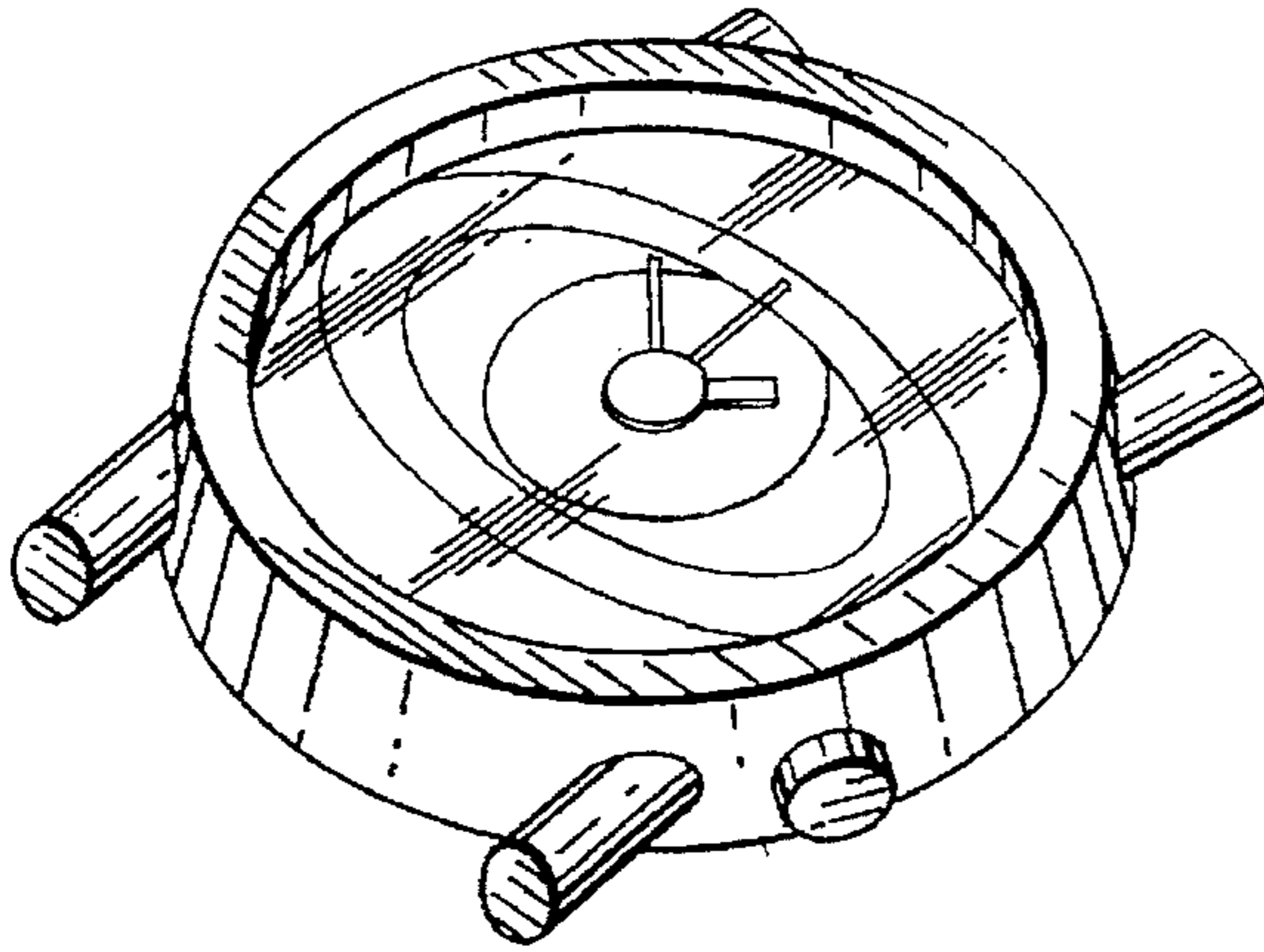


FIG. 15

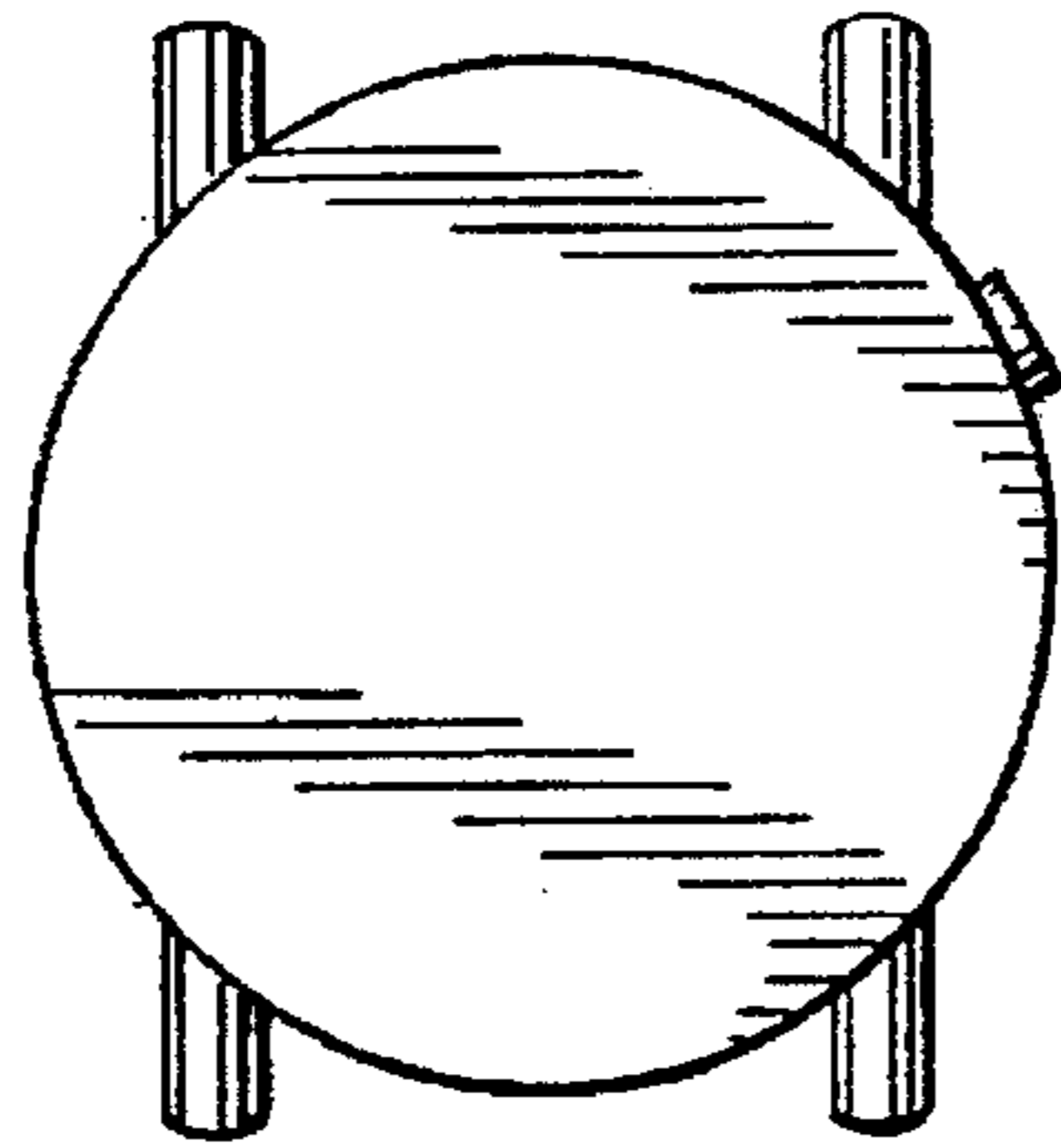


FIG. 16



FIG. 17

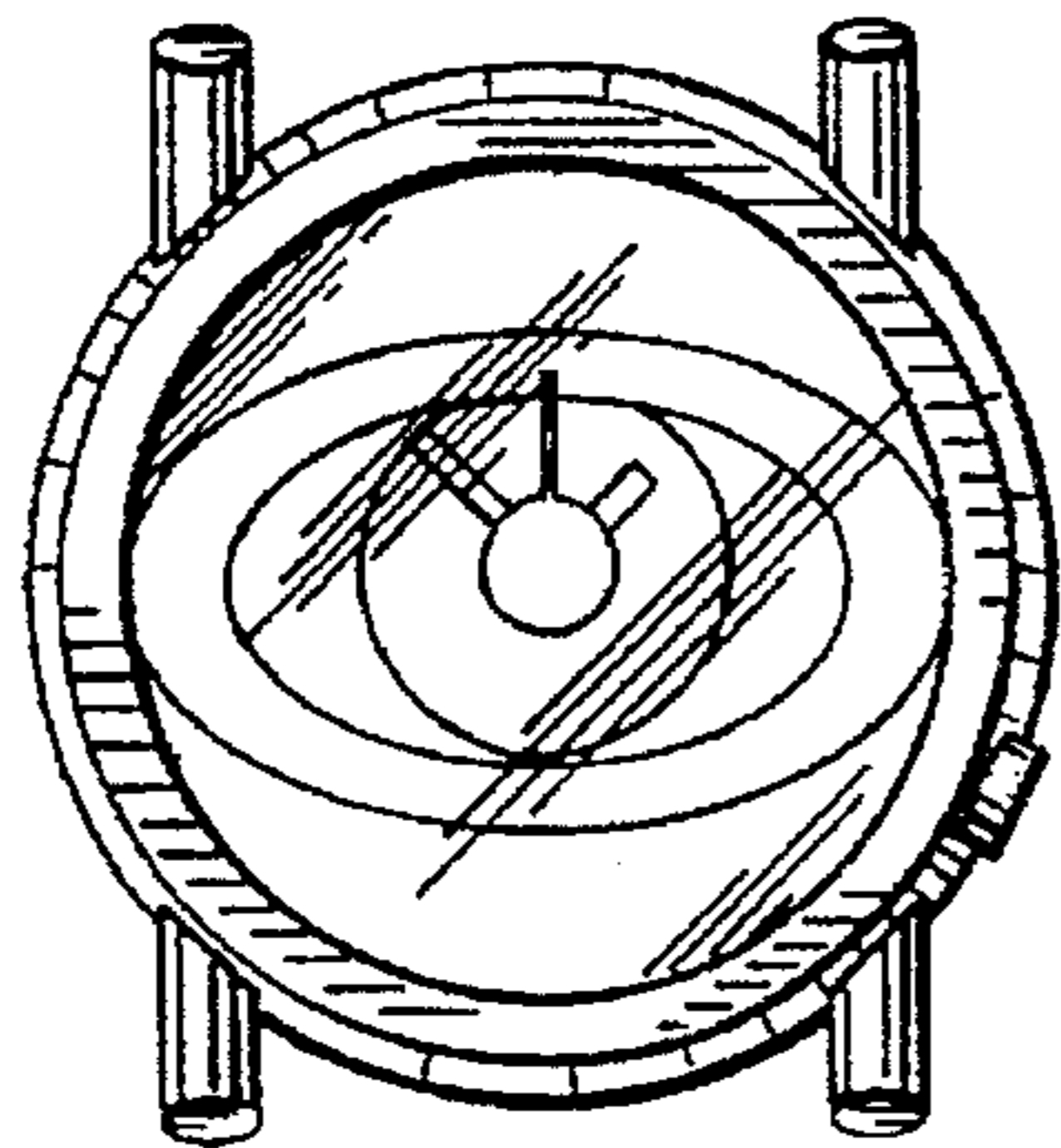


FIG. 19



FIG. 18



FIG. 20

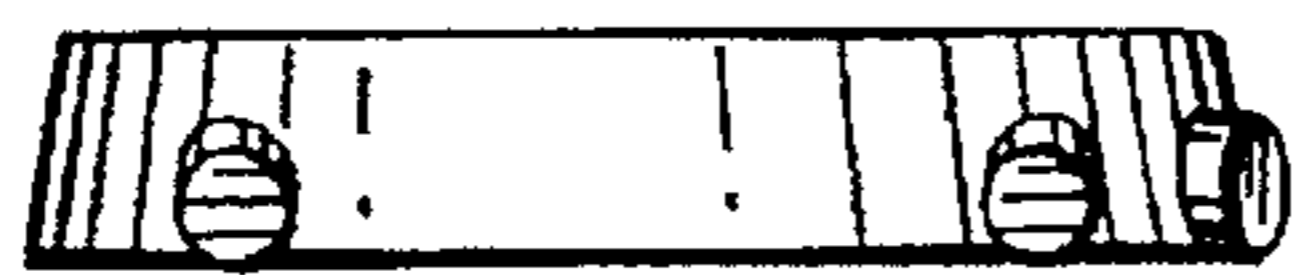


FIG. 21

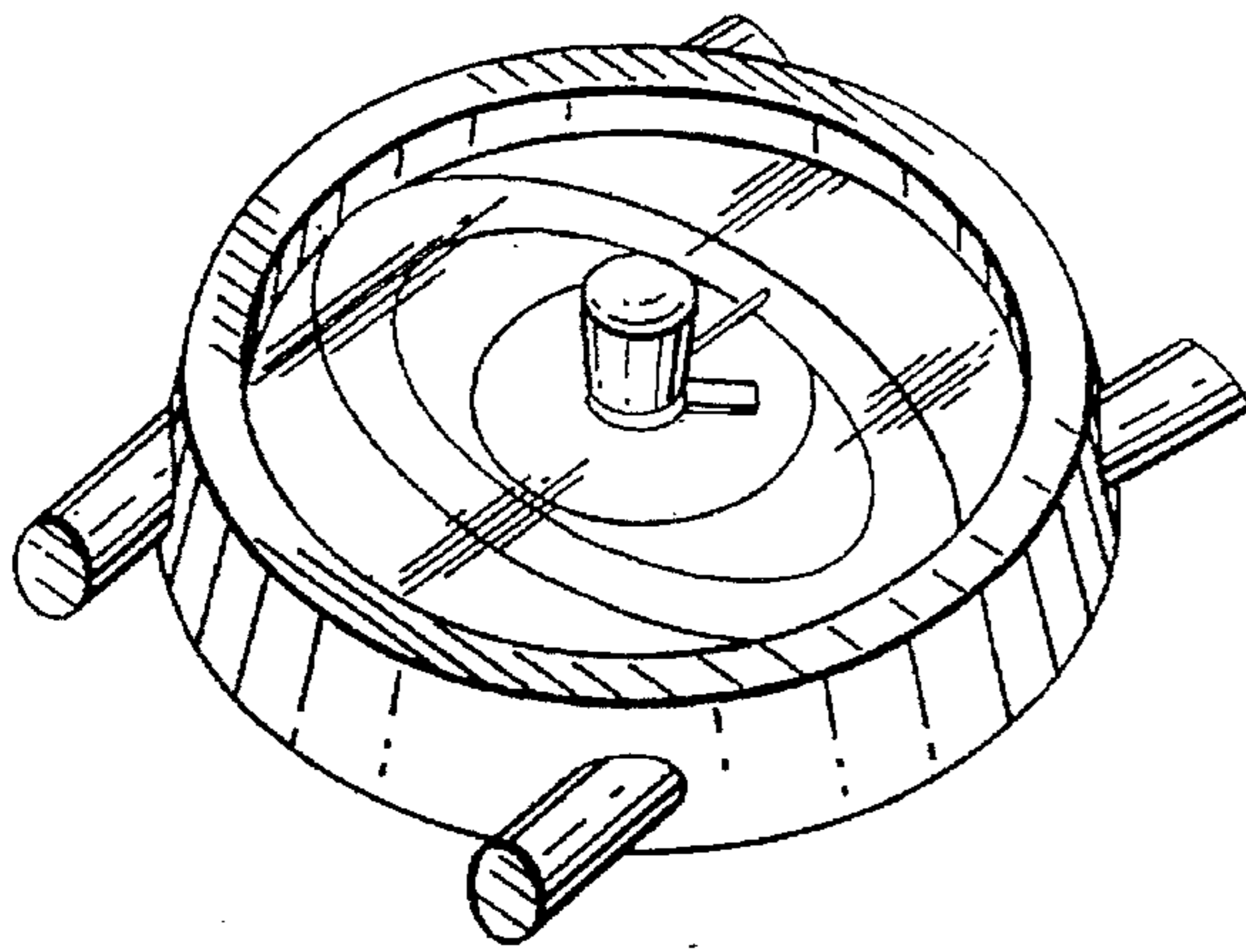


FIG. 22

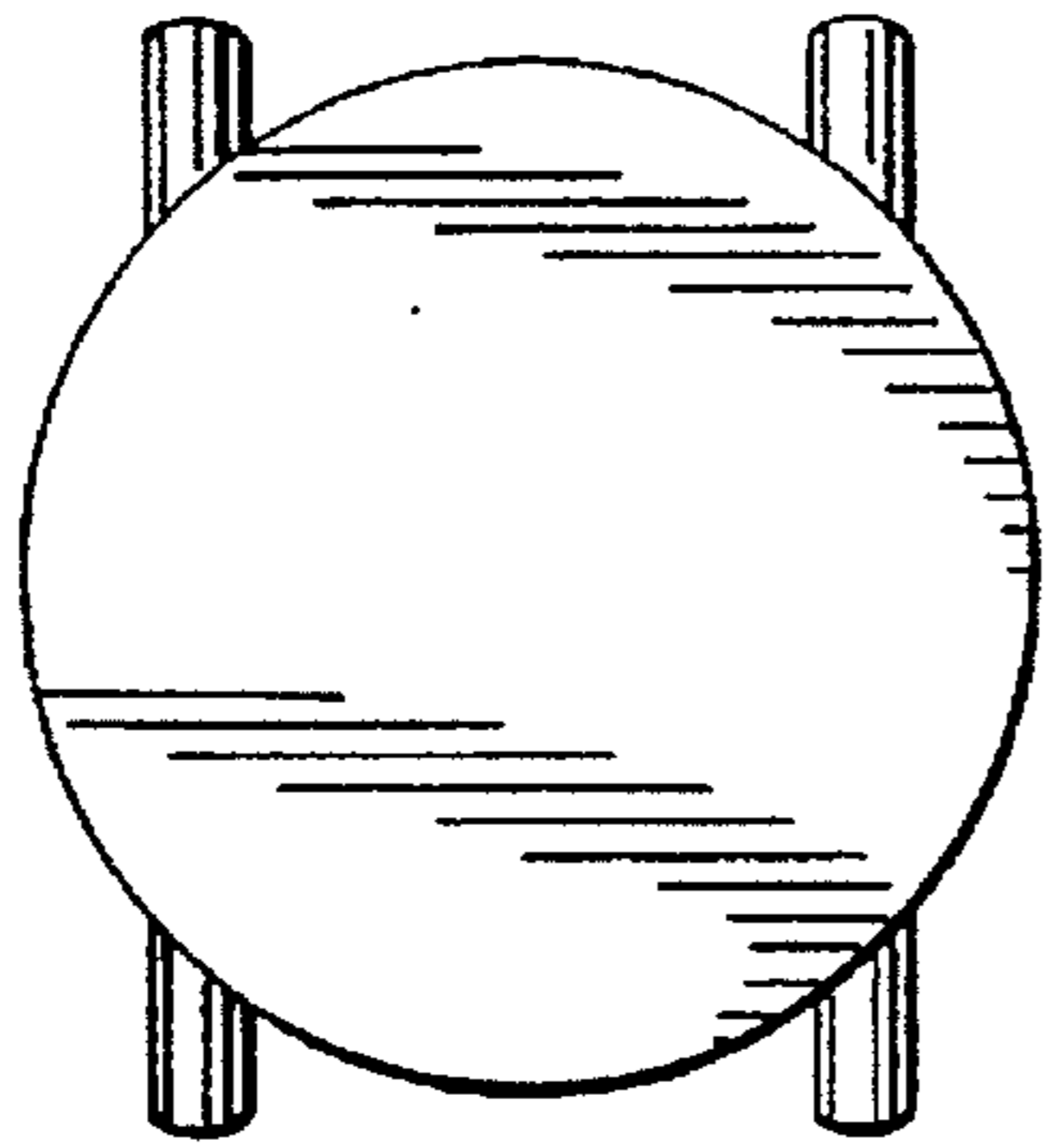


FIG. 23

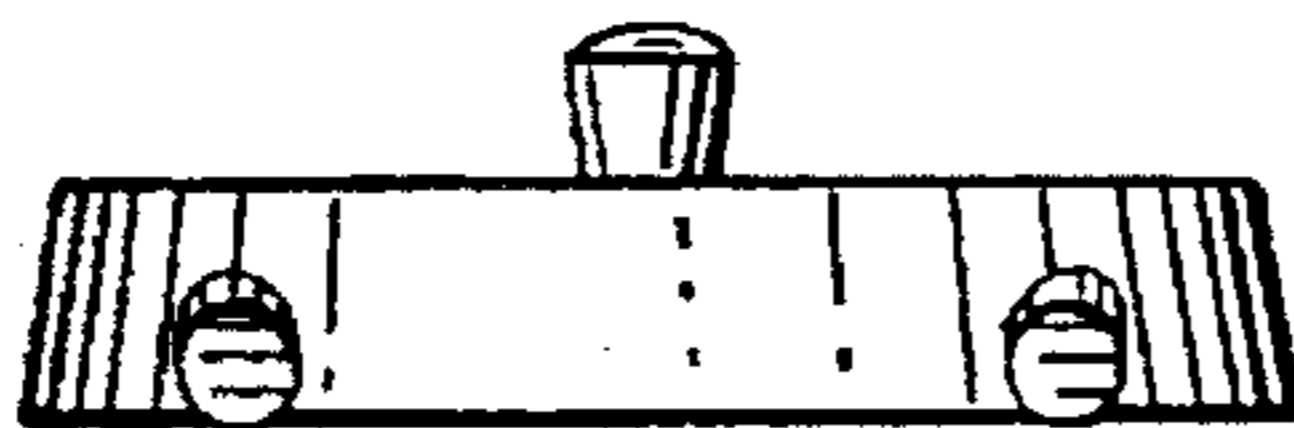


FIG. 24

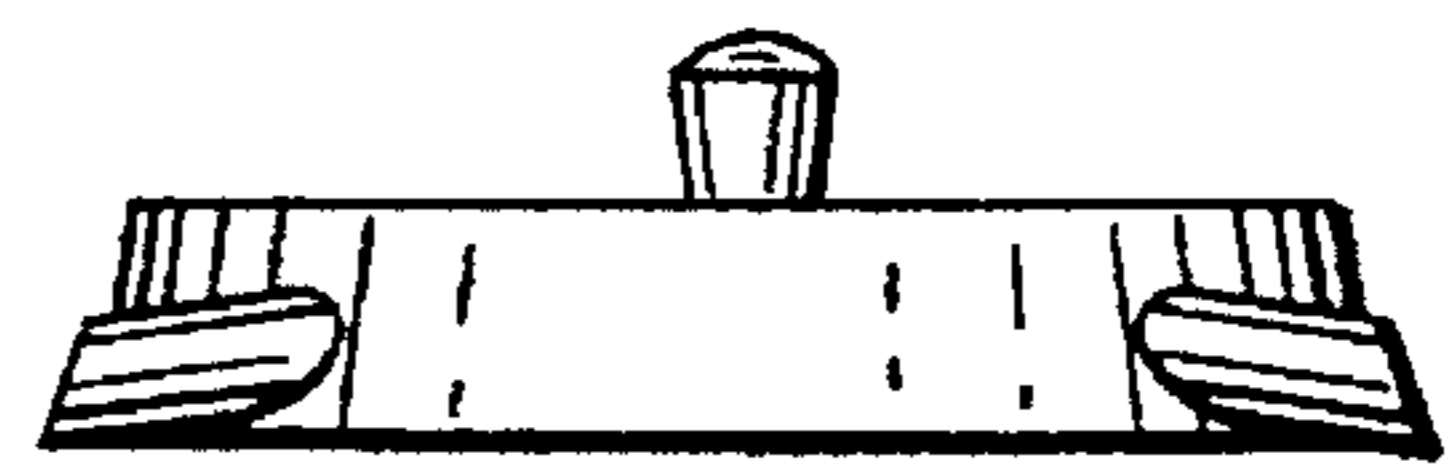


FIG. 25

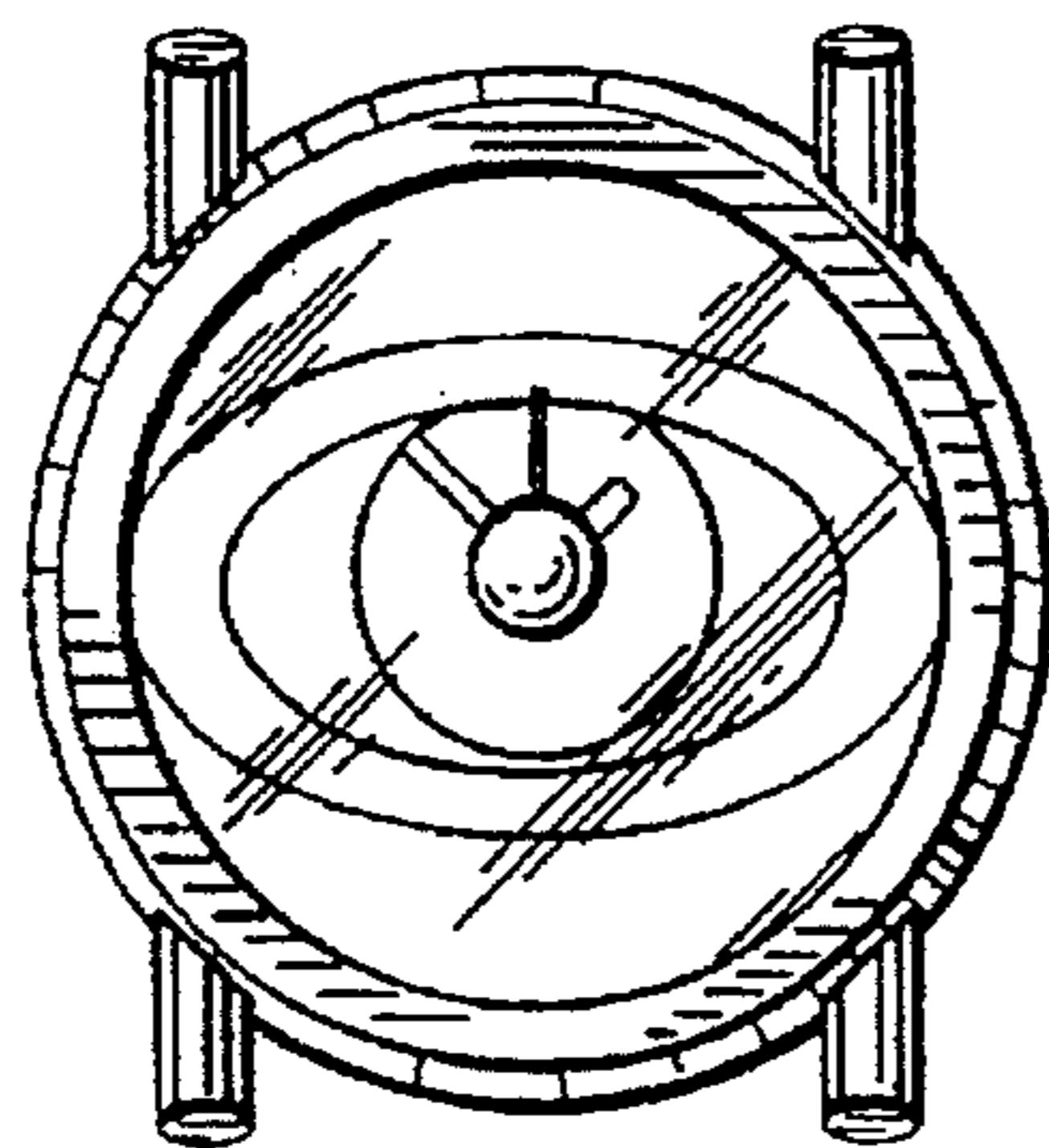


FIG. 26

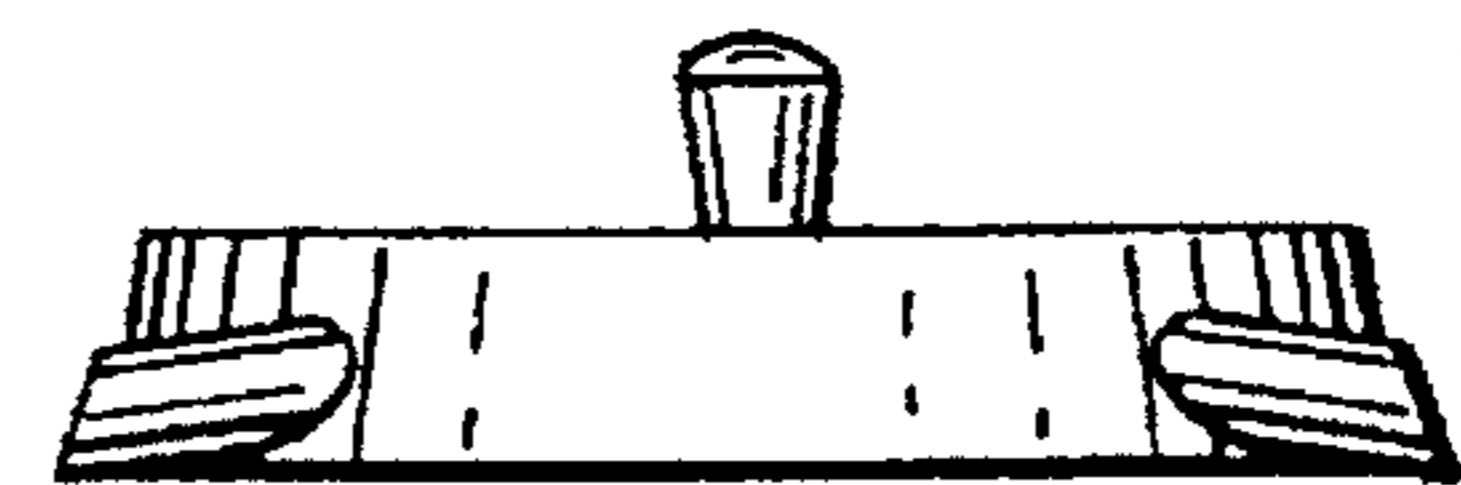


FIG. 27



FIG. 28