



US00D379594S

# United States Patent [19] Fontaine

[11] Patent Number: **Des. 379,594**

[45] Date of Patent: **\*\*Jun. 3, 1997**

[54] **DISPLAY CLOCK**

[76] Inventor: **Wesley Fontaine**, 15800 4th Ave.,  
South, Apt. A107, Seattle, Wash. 98148

[\*\*] Term: **14 Years**

[21] Appl. No.: **41,862**

[22] Filed: **Jul. 10, 1995**

[51] LOC (6) Cl. .... **10-01**

[52] U.S. Cl. .... **D10/2; D10/24; D20/20**

[58] Field of Search ..... **D10/1-40, 122-132;  
D20/20; 368/276-277, 285, 316-317; D6/300-308;  
D16/236, 250, 11**

[56] **References Cited**

**U.S. PATENT DOCUMENTS**

D. 87,166	6/1932	Truchnick	.....	D10/25
D. 102,514	12/1936	Van Bloem	.....	D10/25 X
D. 182,682	4/1958	Nelson	.....	D10/2 X
D. 216,338	12/1969	Snyder	.....	D10/2 X
D. 270,062	8/1983	Ackeret	.....	D16/11
D. 270,064	8/1983	Ackeret	.....	D16/11
D. 279,691	7/1985	Silver	.....	D20/20
D. 318,806	8/1991	Williams	.....	D10/15 X

D. 326,055 5/1992 Africk ..... D10/26 X  
D. 327,017 6/1992 Shih ..... D10/2

*Primary Examiner*—Nelson C. Holtje  
*Attorney, Agent, or Firm*—Harold H. Dutton, Jr.; W. Charles  
L. Jamison; Diane F. Liebman

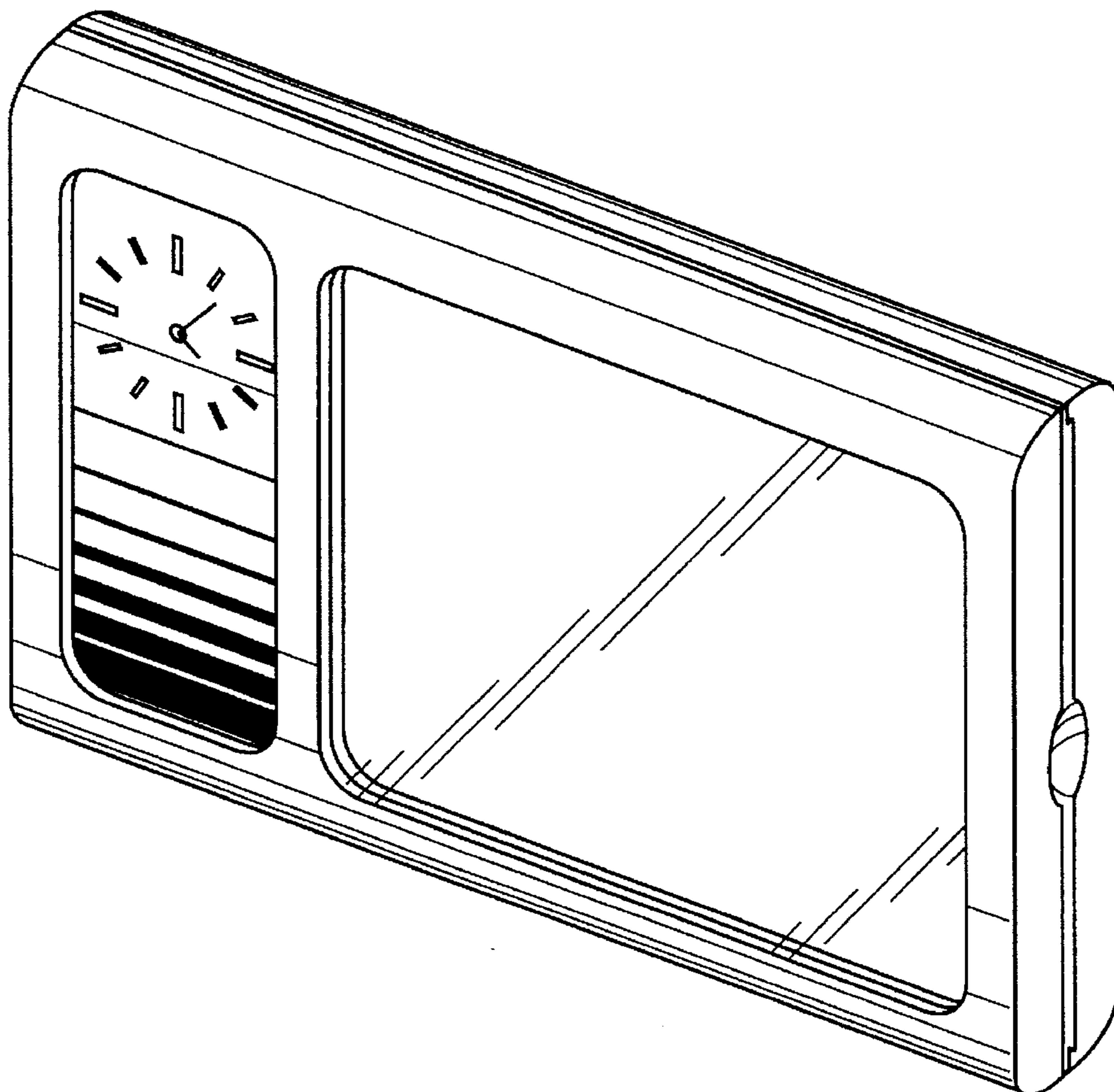
[57] **CLAIM**

The ornamental design for a display clock, as shown and described.

**DESCRIPTION**

FIG. 1 is a perspective view of a display clock showing my new design;  
FIG. 2 is a rear perspective view of the front panel portion of the display clock, the rear panel portion having been omitted for ease of illustration;  
FIG. 3 is a front perspective view of the rear panel portion of the display clock, the front panel portion having been omitted for ease of illustration;  
FIG. 4 is a rear view thereof;  
FIG. 5 is a bottom view thereof;  
FIG. 6 is a right end view thereof; and,  
FIG. 7 is a left end view thereof.

**1 Claim, 5 Drawing Sheets**



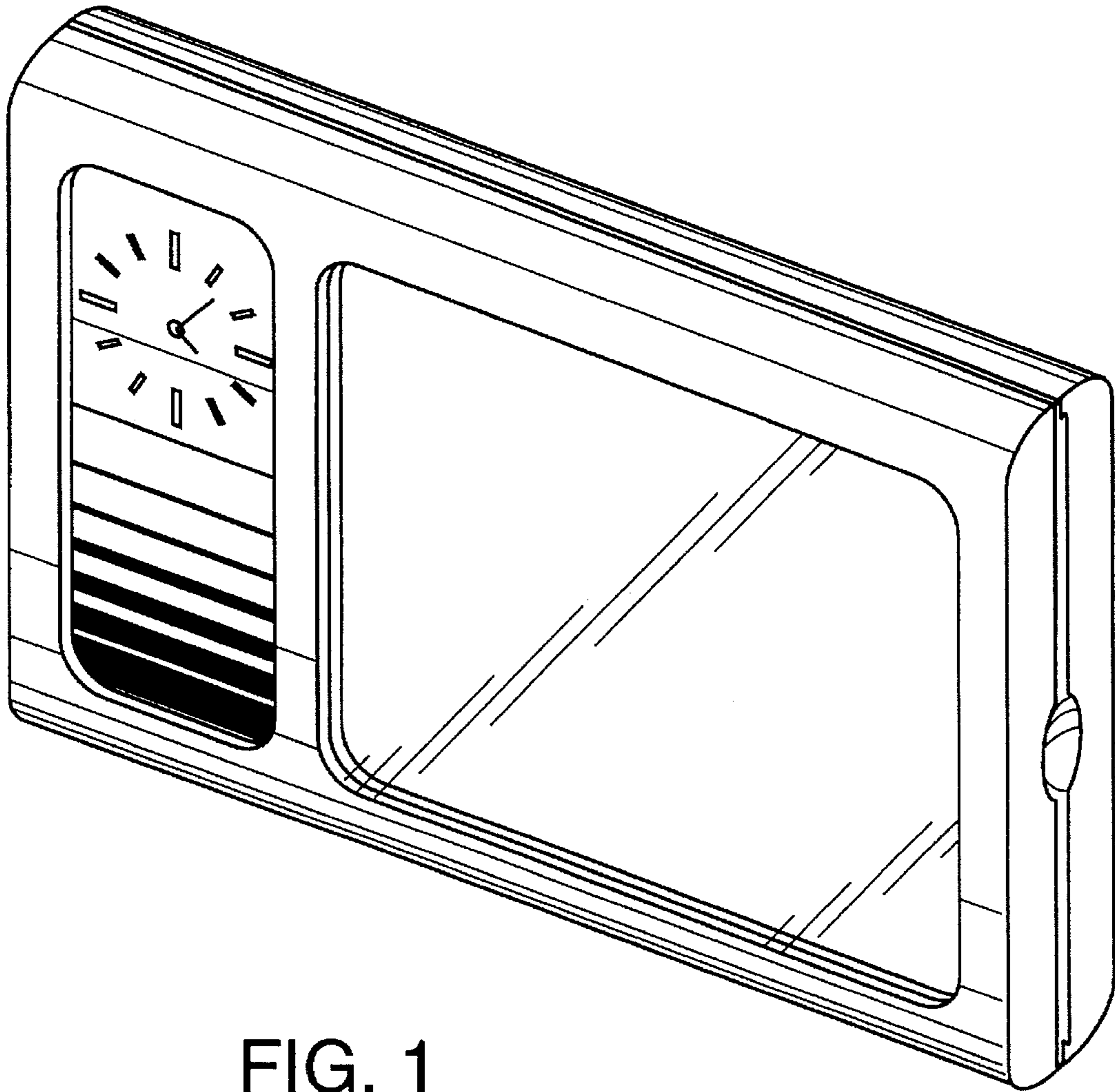


FIG. 1

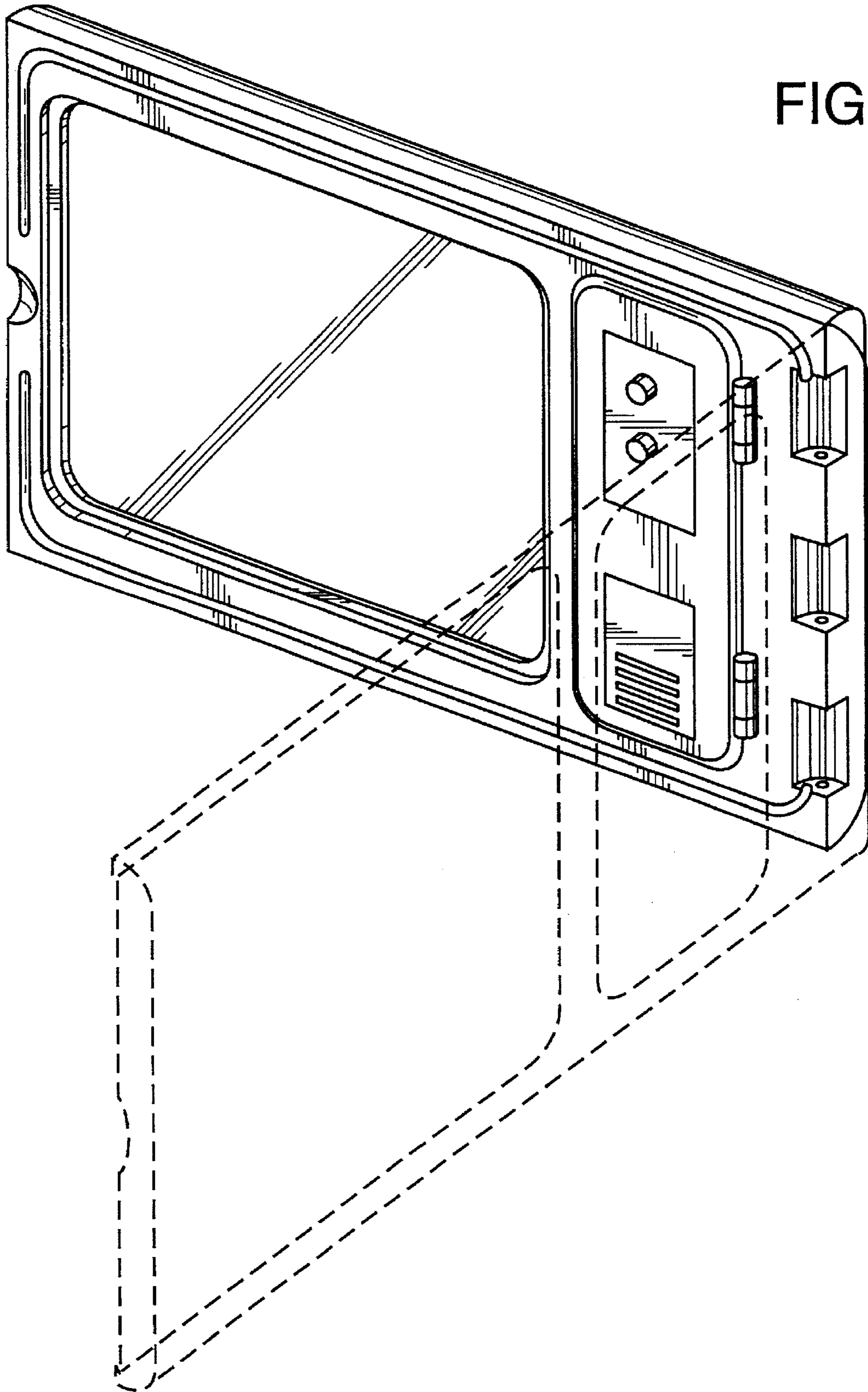


FIG. 2

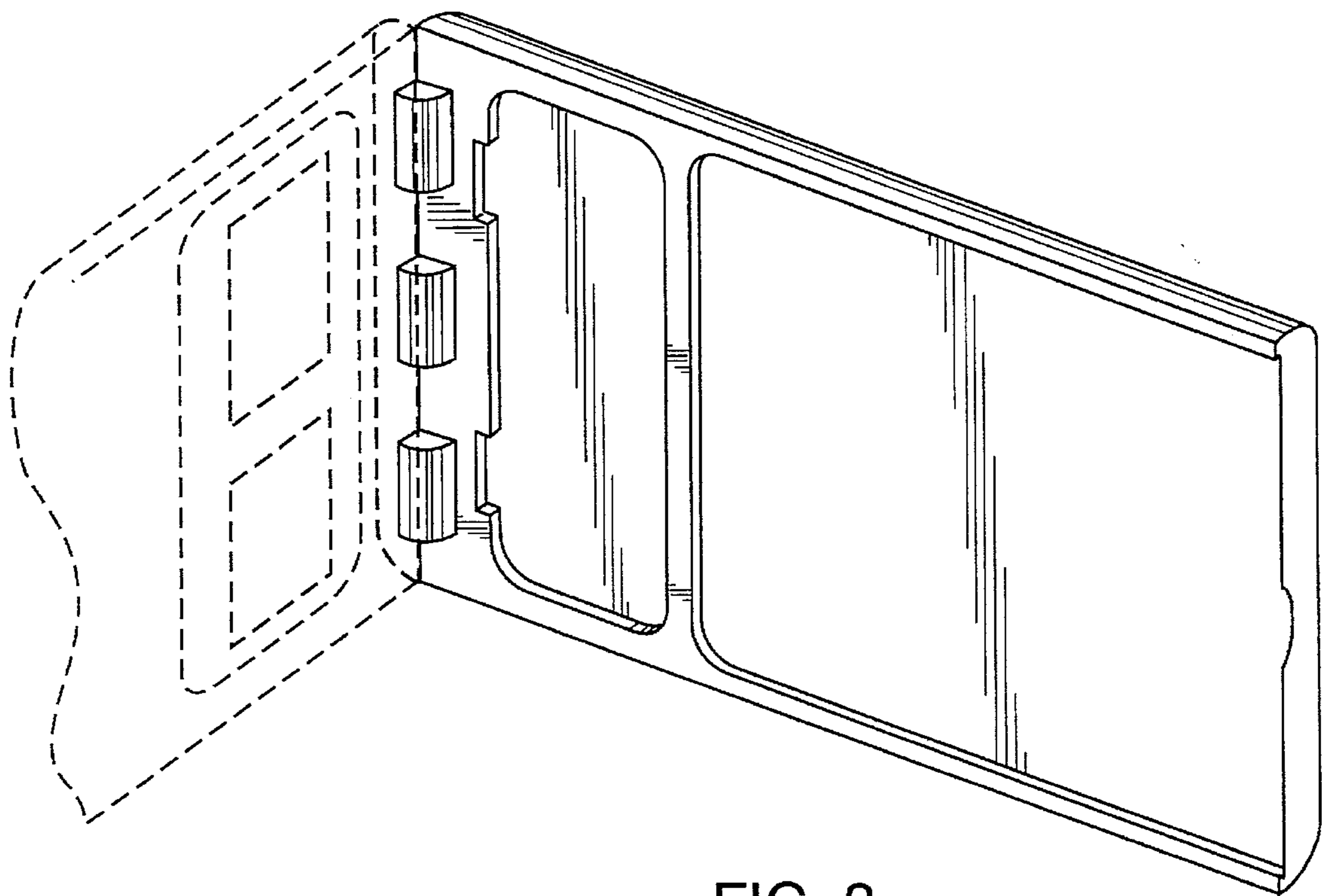


FIG. 3

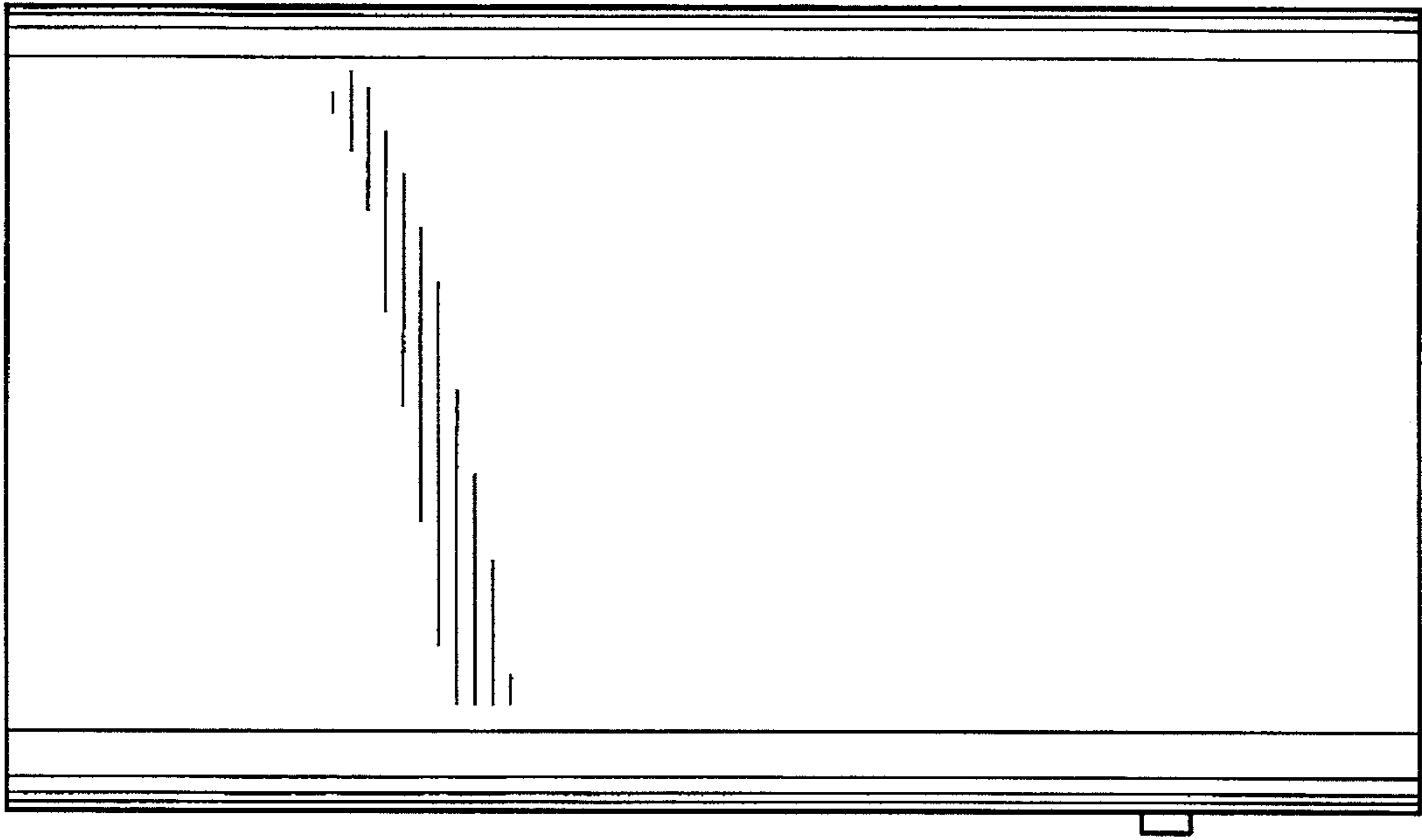


FIG. 4

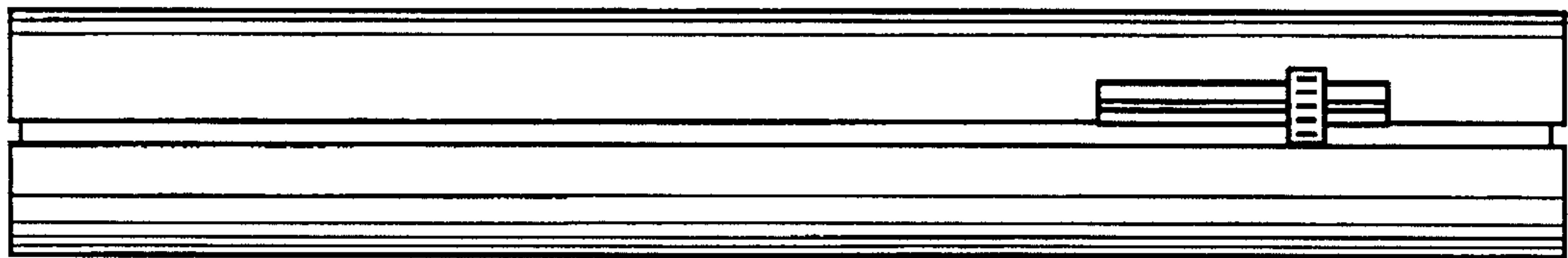


FIG. 5

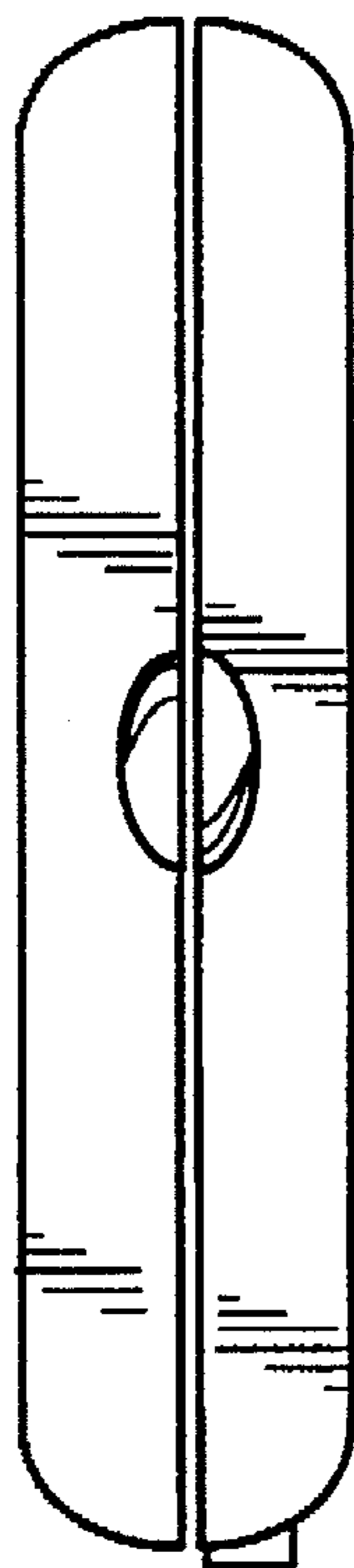


FIG. 6

FIG. 7

