



US00D379588S

United States Patent [19]

Pledger et al.

[11] Patent Number: **Des. 379,588**

[45] Date of Patent: ****Jun. 3, 1997**

[54] SEAL

[75] Inventors: **Jonathan M. Pledger**, Spring; **Gregory L. Witt**, Cypress, both of Tex.

[73] Assignee: **Greene, Tweed of Delaware, Inc.**,
Wilmington, Del.

[**] Term: **14 Years**

[21] Appl. No.: **36,570**

[22] Filed: **Mar. 22, 1995**

[51] LOC (6) Cl. **09-02**

[52] U.S. Cl. **D9/434**

[58] Field of Search D9/434, 435, 454,
D9/456, 499; D7/629; D32/53, 54; 215/200,
341; 220/378, 700, 701, 733

[56] **References Cited**

U.S. PATENT DOCUMENTS

- D. 338,621 8/1993 Balson D9/434
- D. 344,209 2/1994 Cousins et al. D9/454 X
- D. 348,836 7/1994 McCallum et al. D9/456

- D. 352,209 11/1994 Cousins et al. D7/629 X
- D. 352,455 11/1994 Balson D9/434
- 4,844,273 7/1989 Hawkins 215/341 X
- 4,969,570 11/1990 Harvey, Sr. 220/733

FOREIGN PATENT DOCUMENTS

- 24452 of 1910 United Kingdom 215/200

Primary Examiner—B. J. Bullock
Assistant Examiner—Cathron B. Matta
Attorney, Agent, or Firm—Panitch Shwarze Jacobs & Nadel,
P.C.

[57] **CLAIM**

The ornamental design for a seal, as shown and described.

DESCRIPTION

FIG. 1 is a top plan view of a seal showing our new design;
FIG. 2 is a bottom plan view thereof;
FIG. 3 is an elevational view thereof; and,
FIG. 4 is an enlarged sectional view thereof taken along line
4—4 of FIG. 1.

1 Claim, 1 Drawing Sheet

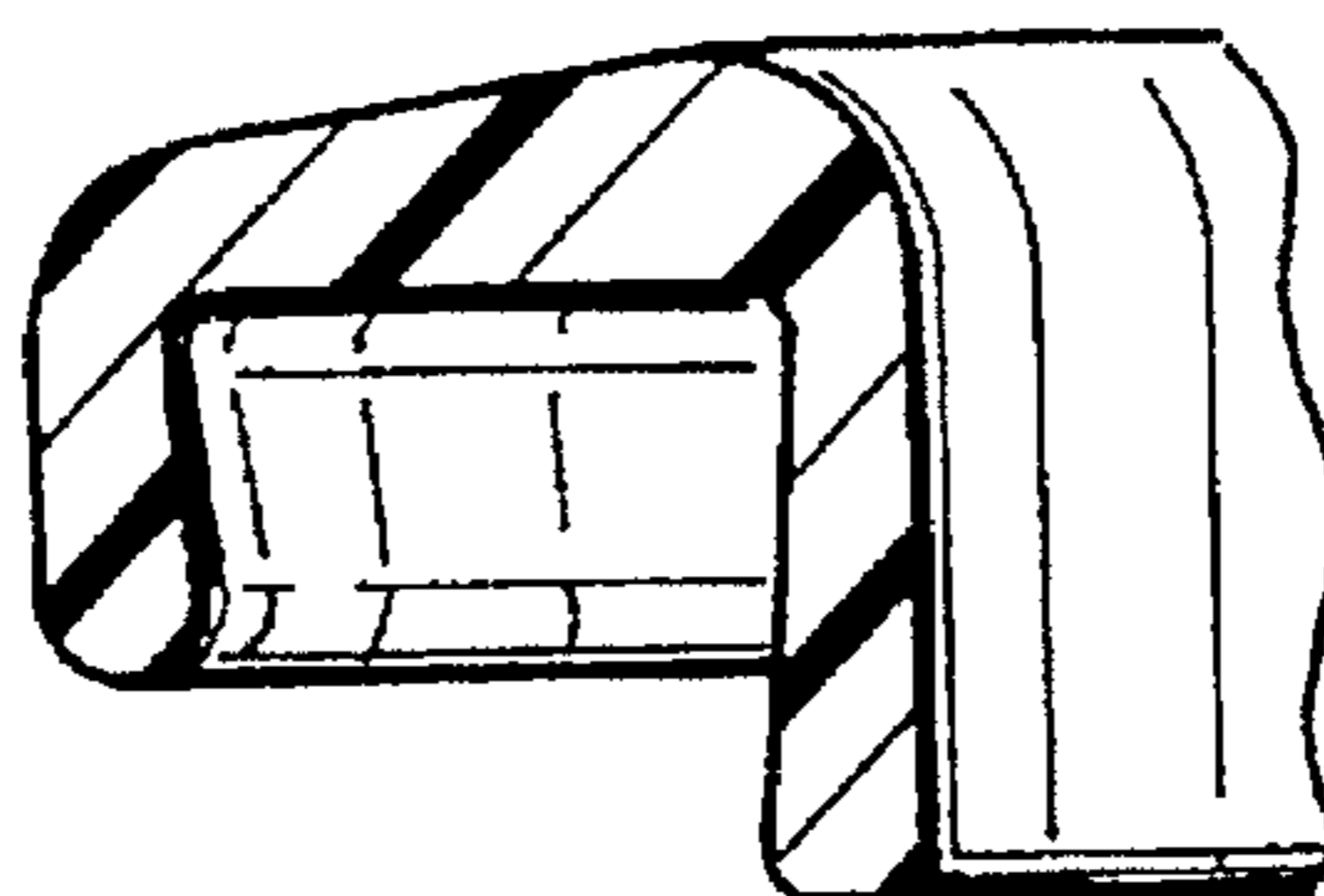
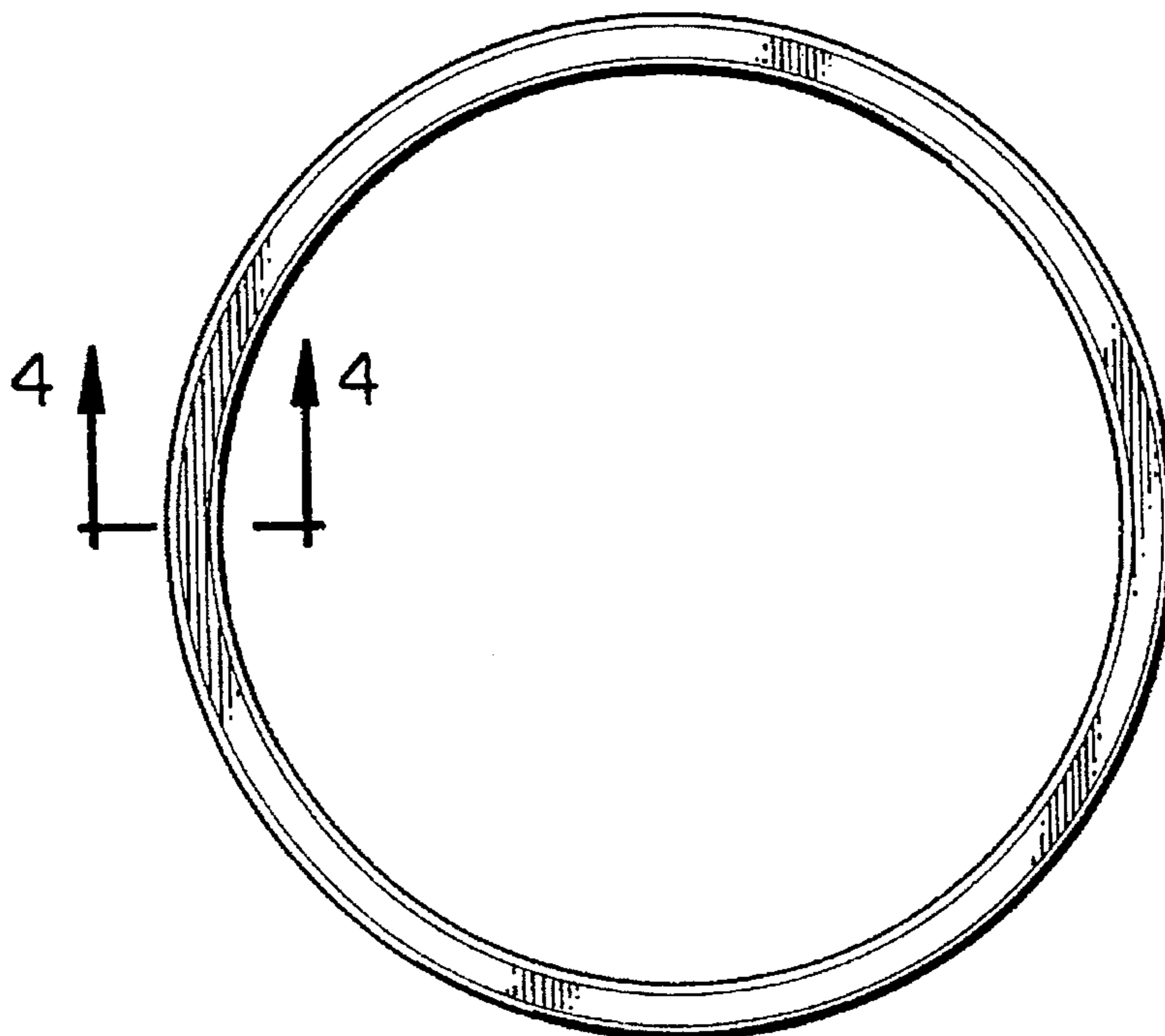


FIG. 1

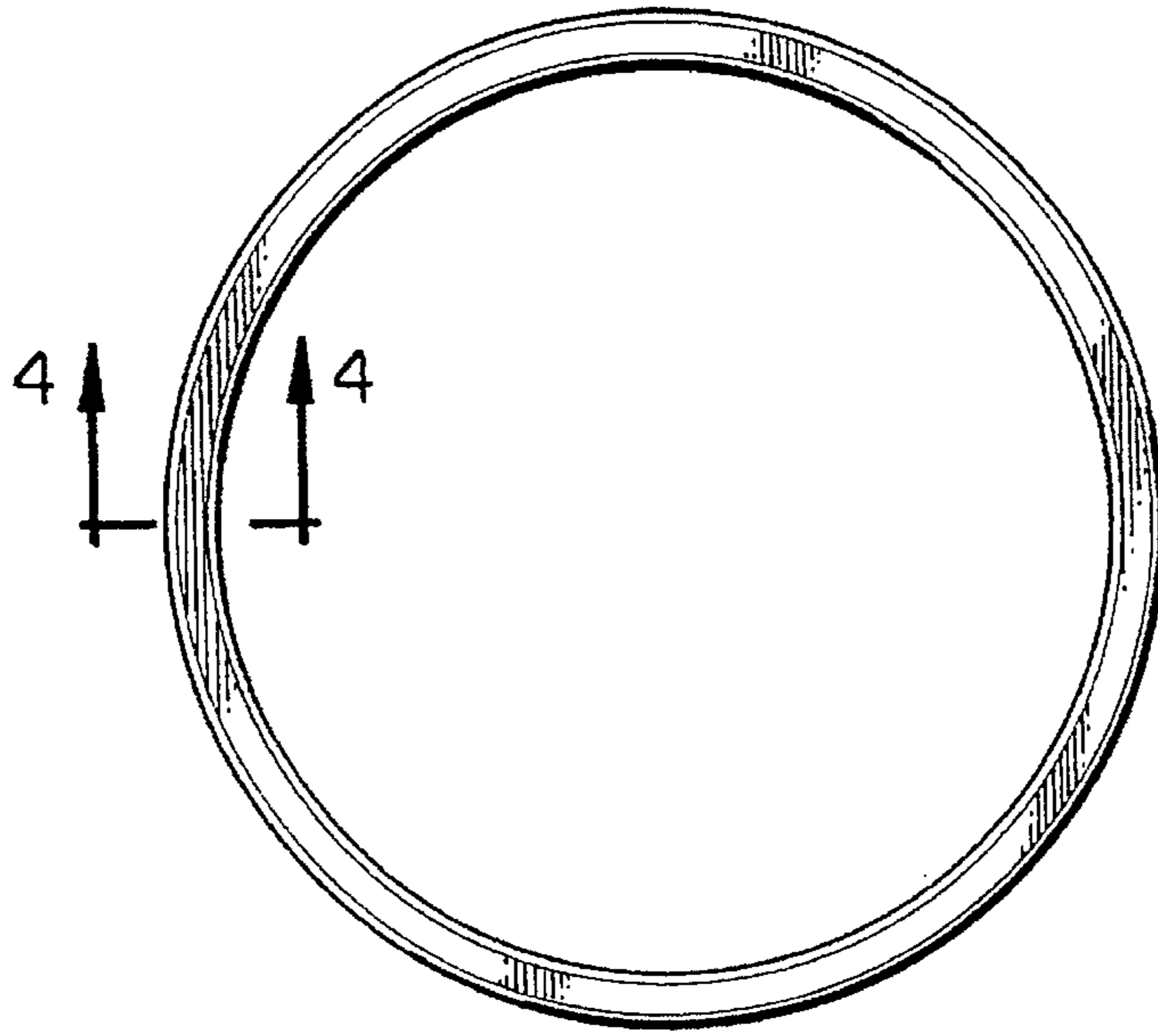


FIG. 2

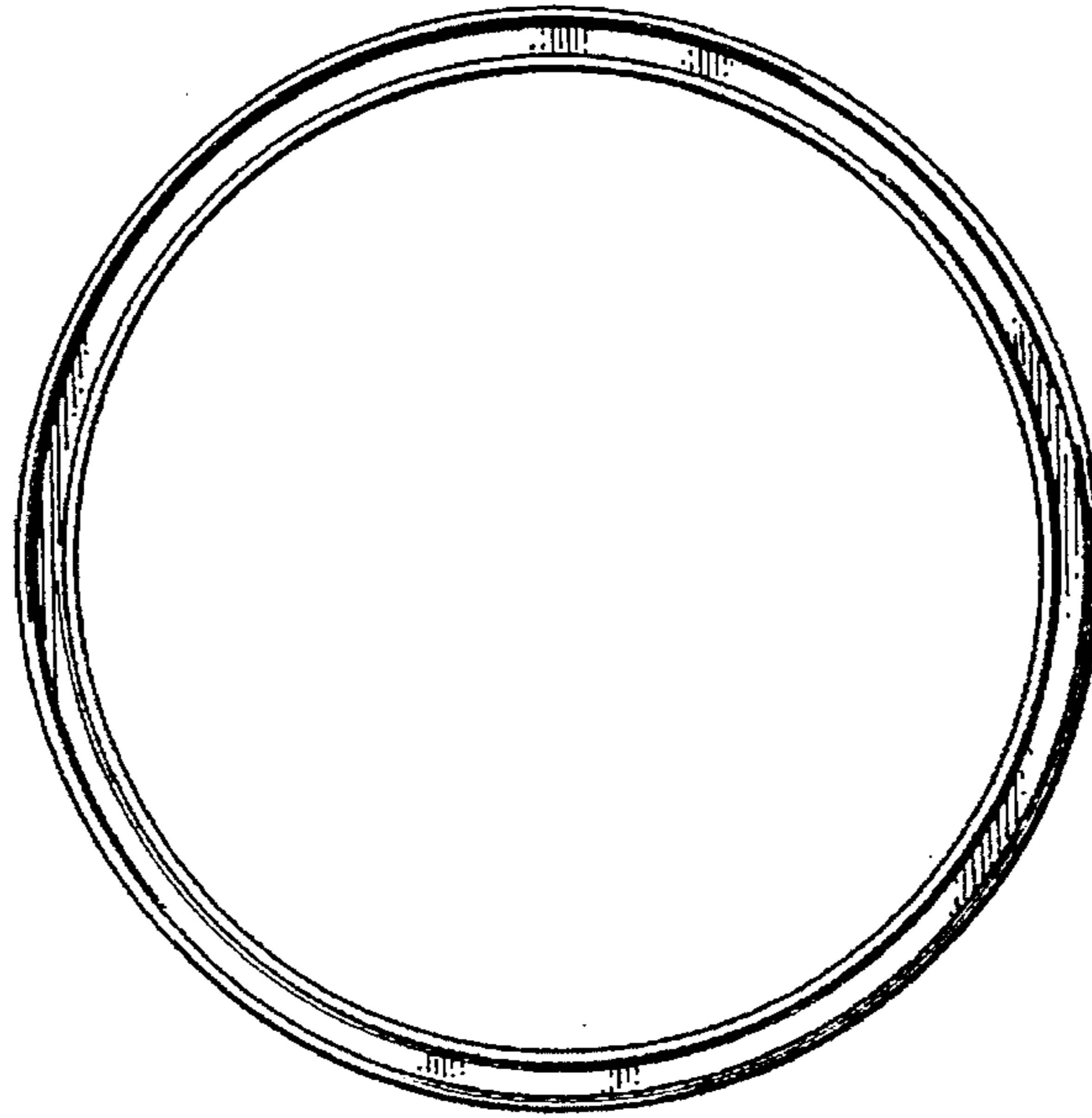


FIG. 3



FIG. 4

