



US00D379583S

United States Patent [19]

Mariol

[11] Patent Number: **Des. 379,583**

[45] Date of Patent: ****Jun. 3, 1997**

[54] **WHEELS FOR USE ON PORTABLE PLAYYARDS**

1,465,044 8/1923 Johnson 16/18 R

Primary Examiner—Holly H. Baynham

[76] Inventor: **John V. Mariol**, 7746 Beechmont Ave., Cincinnati, Ohio 45255

[57] **CLAIM**

[**] Term: **14 Years**

The ornamental design of the wheels for use on portable playyards, as shown and described.

[21] Appl. No.: **52,673**

DESCRIPTION

[22] Filed: **Apr. 9, 1996**

FIG. 1 is a perspective view of the wheels for use on portable playyards showing the design of my invention;

[51] LOC (6) Cl. **08-05**

FIG. 2 is a left side view thereof;

[52] U.S. Cl. **D8/375**

FIG. 3 is a front view thereof;

[58] Field of Search D8/375; 16/18 R, 16/18 CG, 45; D21/242

FIG. 4 is a top plan view thereof;

FIG. 5 is a right side view thereof;

FIG. 6 is a rear view thereof; and,

FIG. 7 is a bottom view thereof.

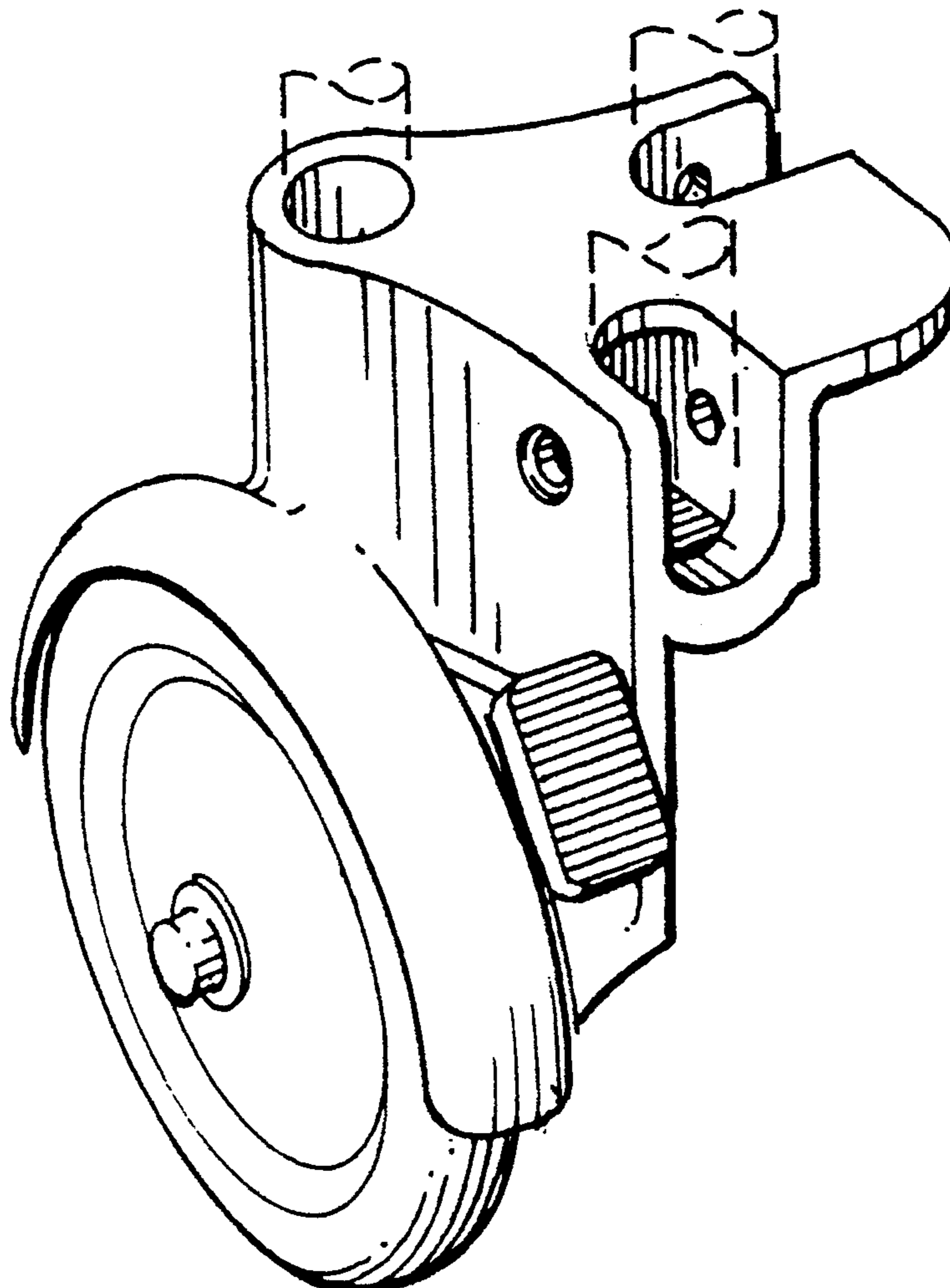
[56] **References Cited**

U.S. PATENT DOCUMENTS

- D. 259,982 7/1981 Kameda D8/375
- D. 260,064 8/1981 Kameda D8/375
- D. 334,136 3/1993 McCord et al. D8/375
- D. 347,162 5/1994 Simonson D8/375

The broken line showing of fragmented structure is for illustrative purposes only and forms no part of the claimed design.

1 Claim, 2 Drawing Sheets



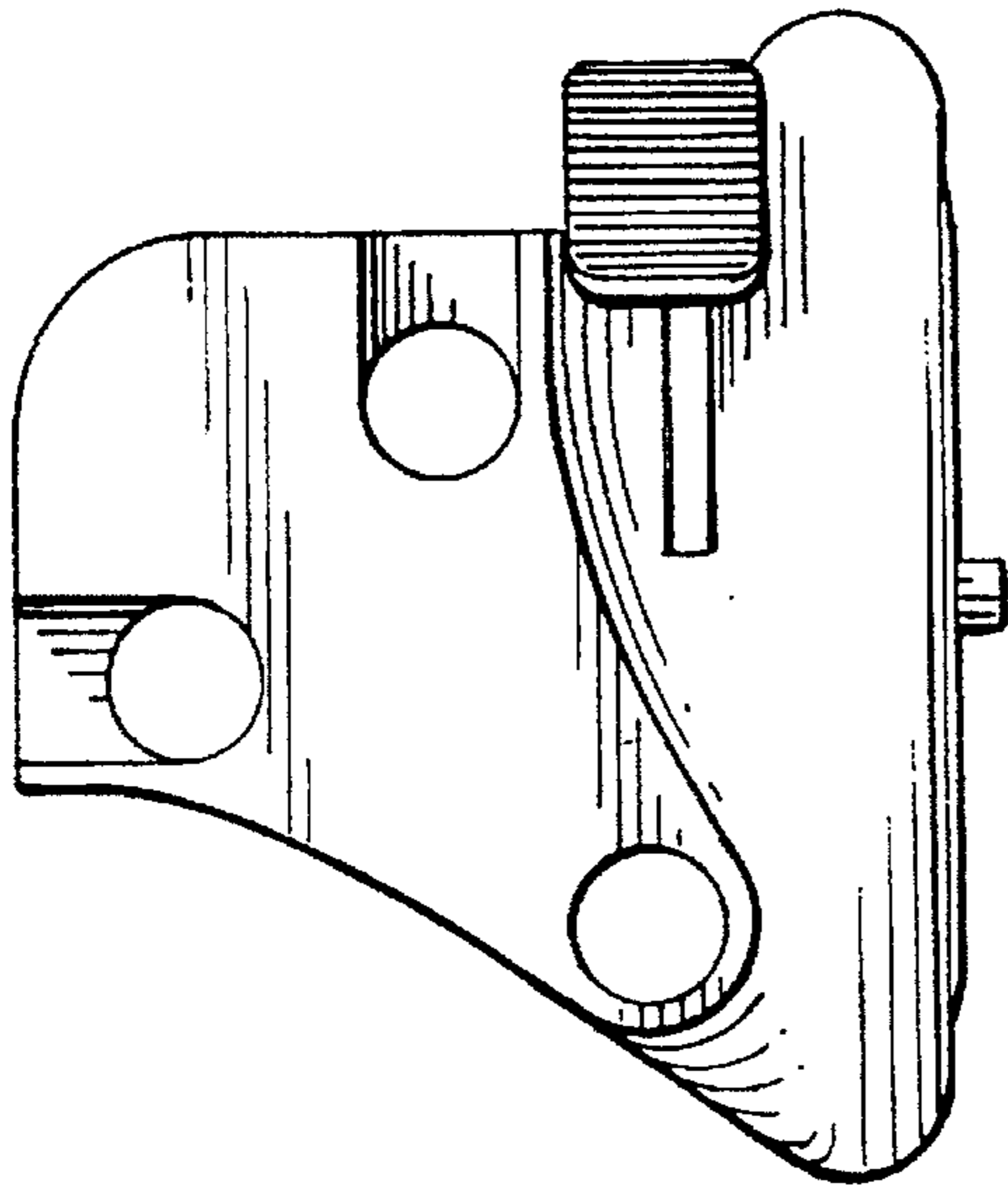


FIG. 4

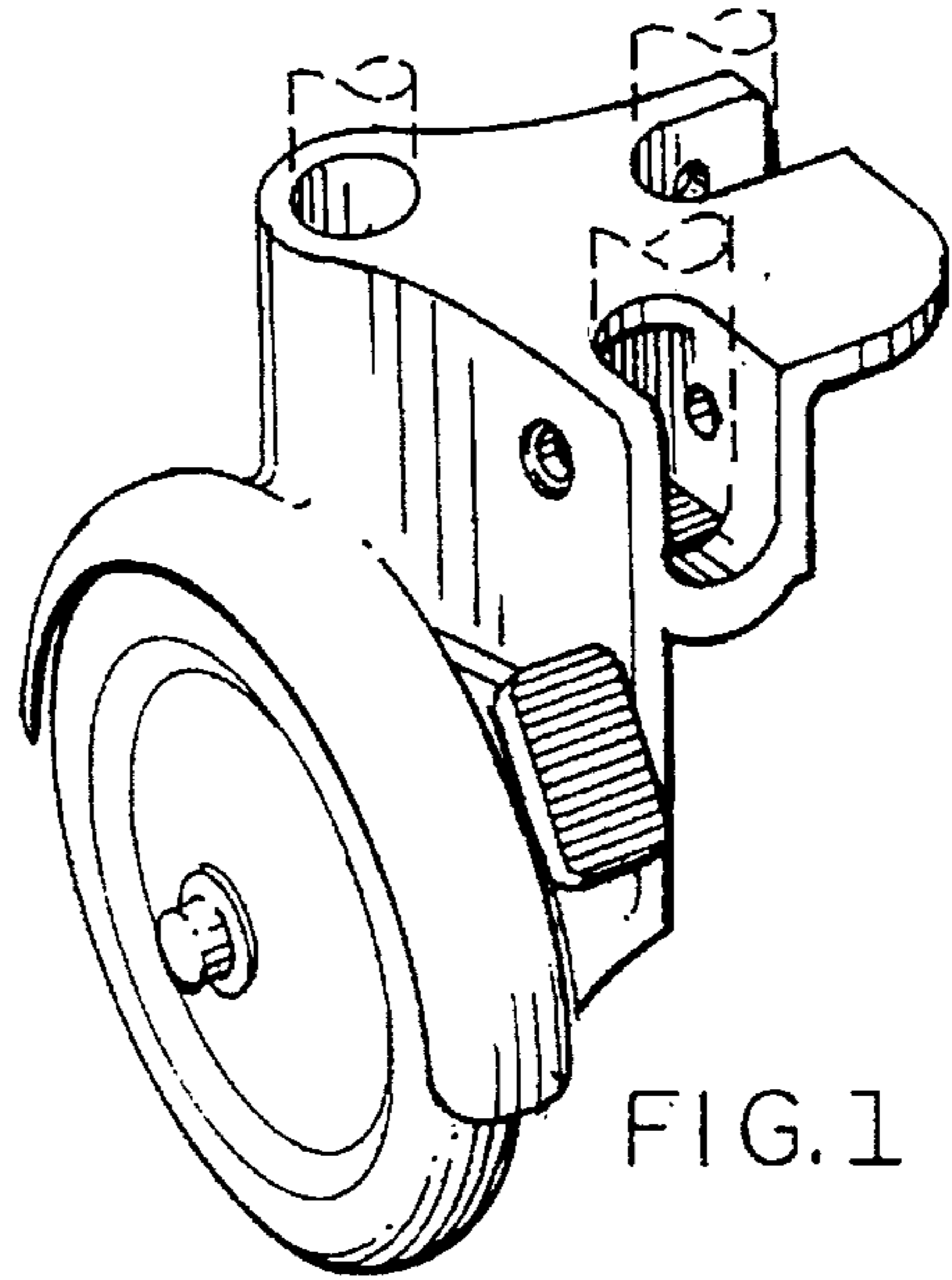


FIG. 1

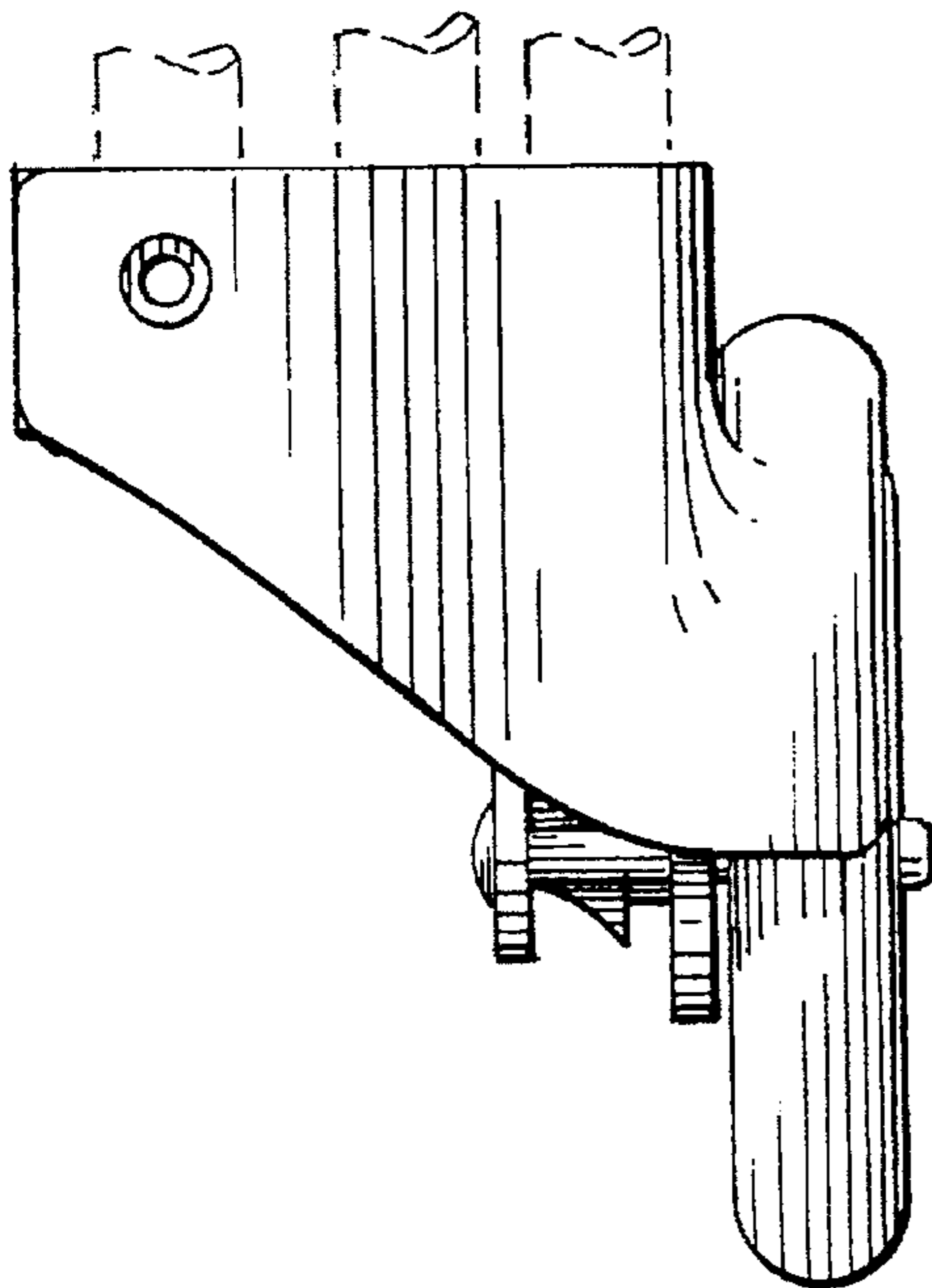


FIG. 3

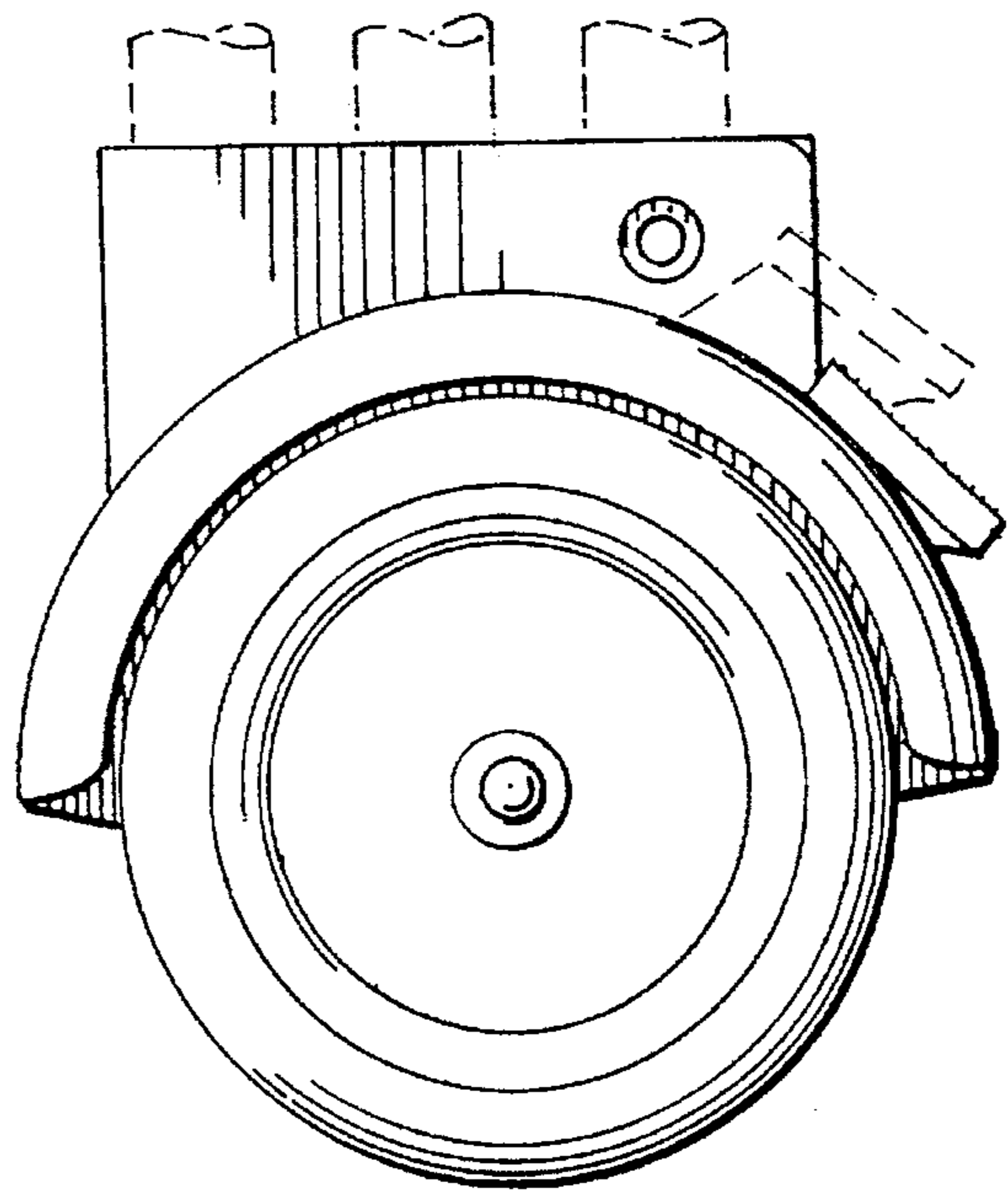


FIG. 2

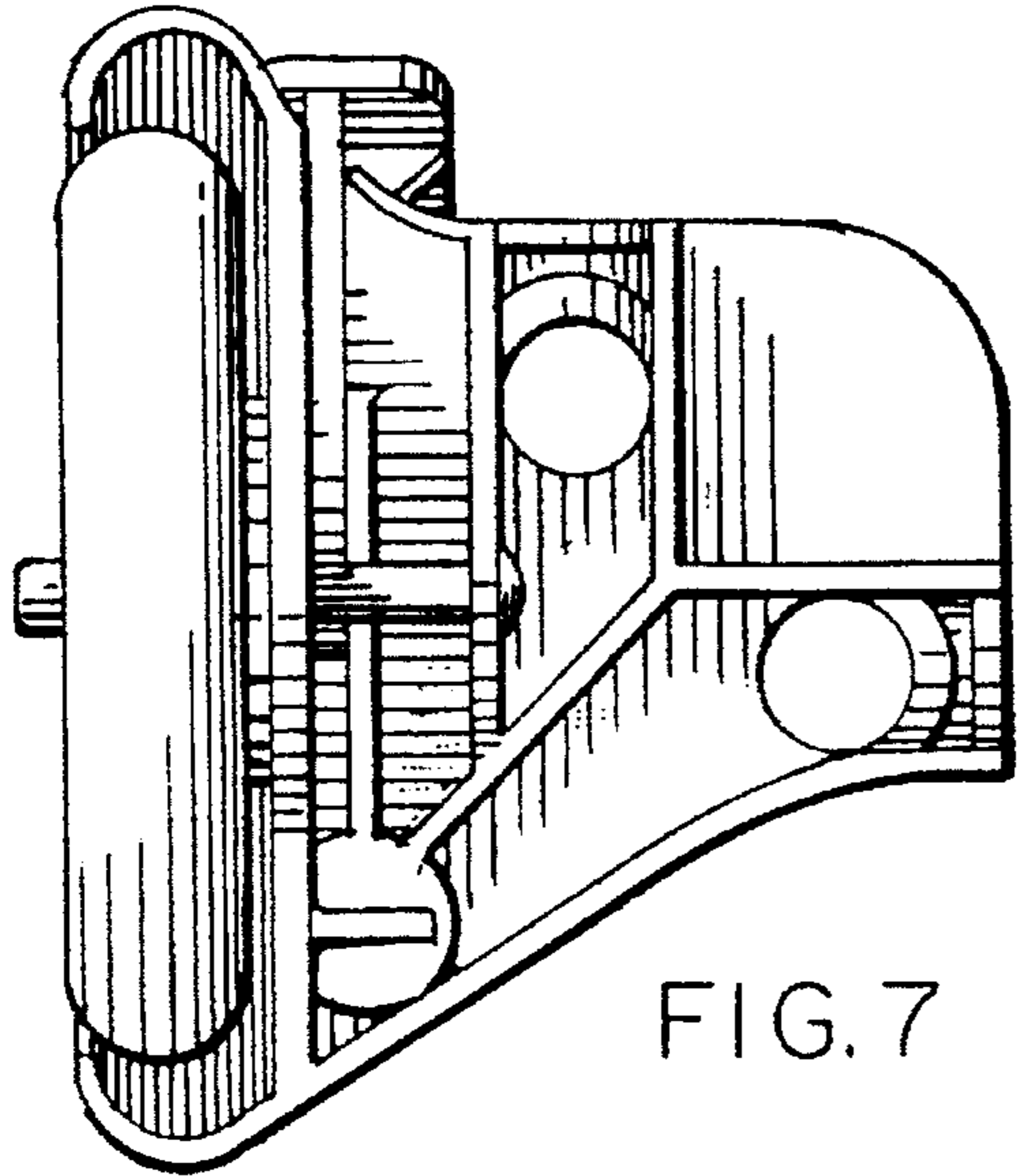


FIG. 7

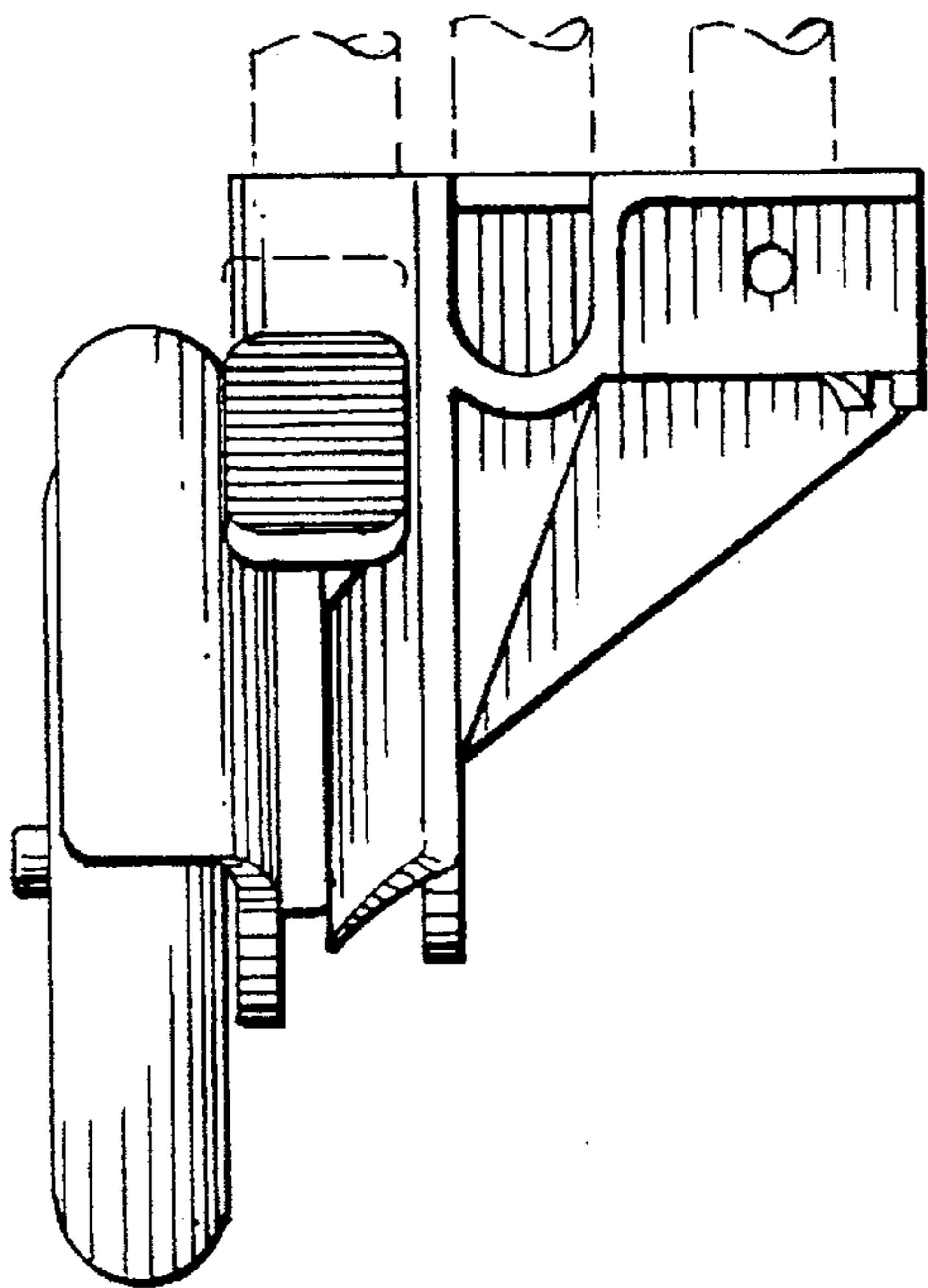


FIG. 6

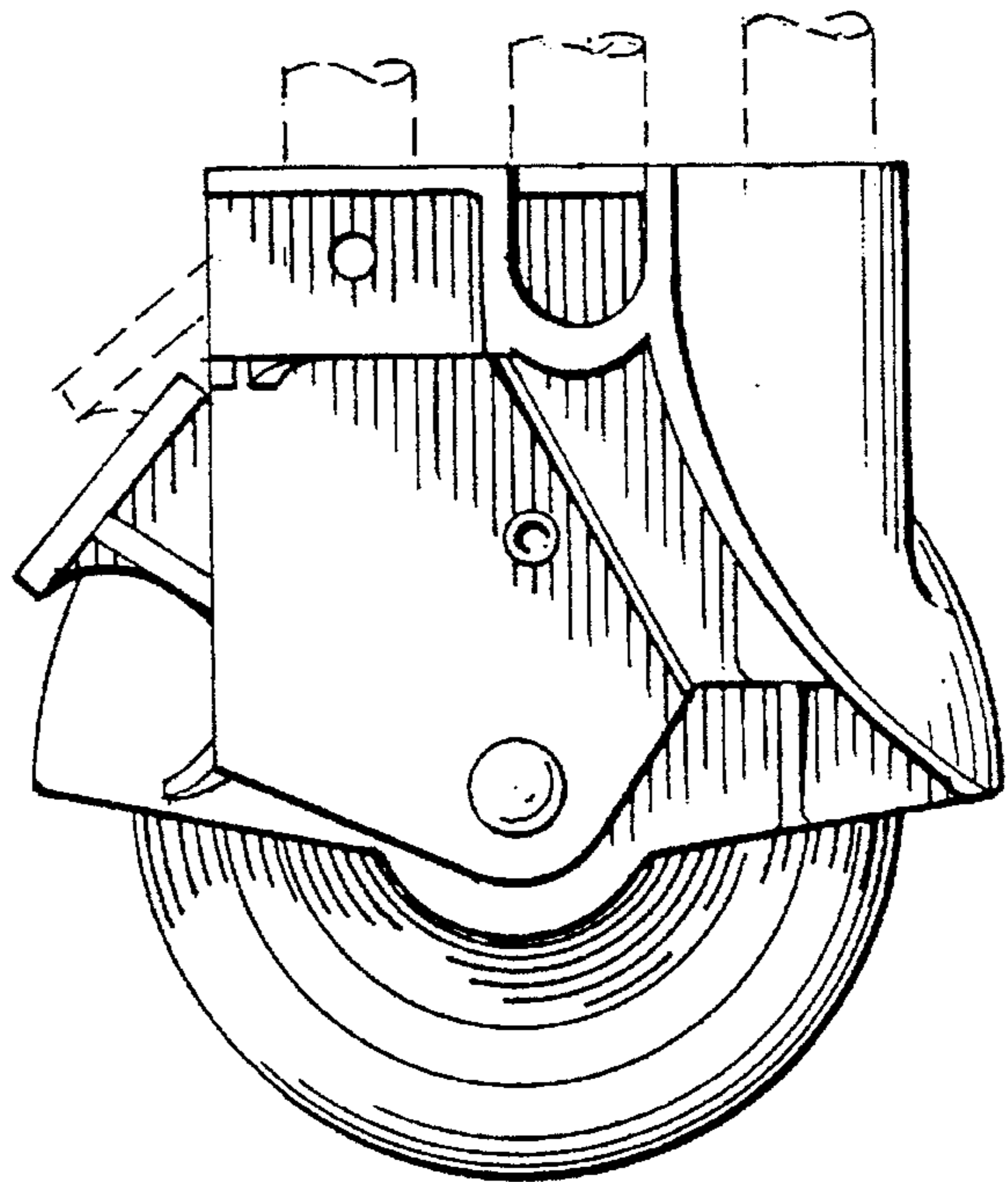


FIG. 5