



US00D379582S

# United States Patent [19]

[11] Patent Number: **Des. 379,582**

Adams

[45] Date of Patent: **\*\*Jun. 3, 1997**

[54] **CARPET PROTECTOR**

562589 3/1974 Switzerland .  
1360471 7/1974 United Kingdom ..... 248/346.1

[75] Inventor: **William E. Adams**, Portersville, Pa.

### OTHER PUBLICATIONS

[73] Assignee: **Adams Mfg. Corp.**, Portersville, Pa.

Bakelite Review, Apr. 1957, no page no., carpet protector located at bottom of page.  
Photographs of "Fi" Carpet Protector.

[\*\*] Term: **14 Years**

*Primary Examiner*—Holly H. Baynham  
*Attorney, Agent, or Firm*—Buchanan Ingersoll, P.C.; Lynn J. Alstadt

[21] Appl. No.: **38,078**

[22] Filed: **Apr. 28, 1995**

[51] **LOC (6) Cl.** ..... **08-05**

[52] **U.S. Cl.** ..... **D8/374**

[58] **Field of Search** ..... D8/374; 248/346.1, 248/188.2, 188.8-188.9, 346; 47/39

### [57] CLAIM

An ornamental design for a carpet protector, as shown and described.

### [56] References Cited

### DESCRIPTION

#### U.S. PATENT DOCUMENTS

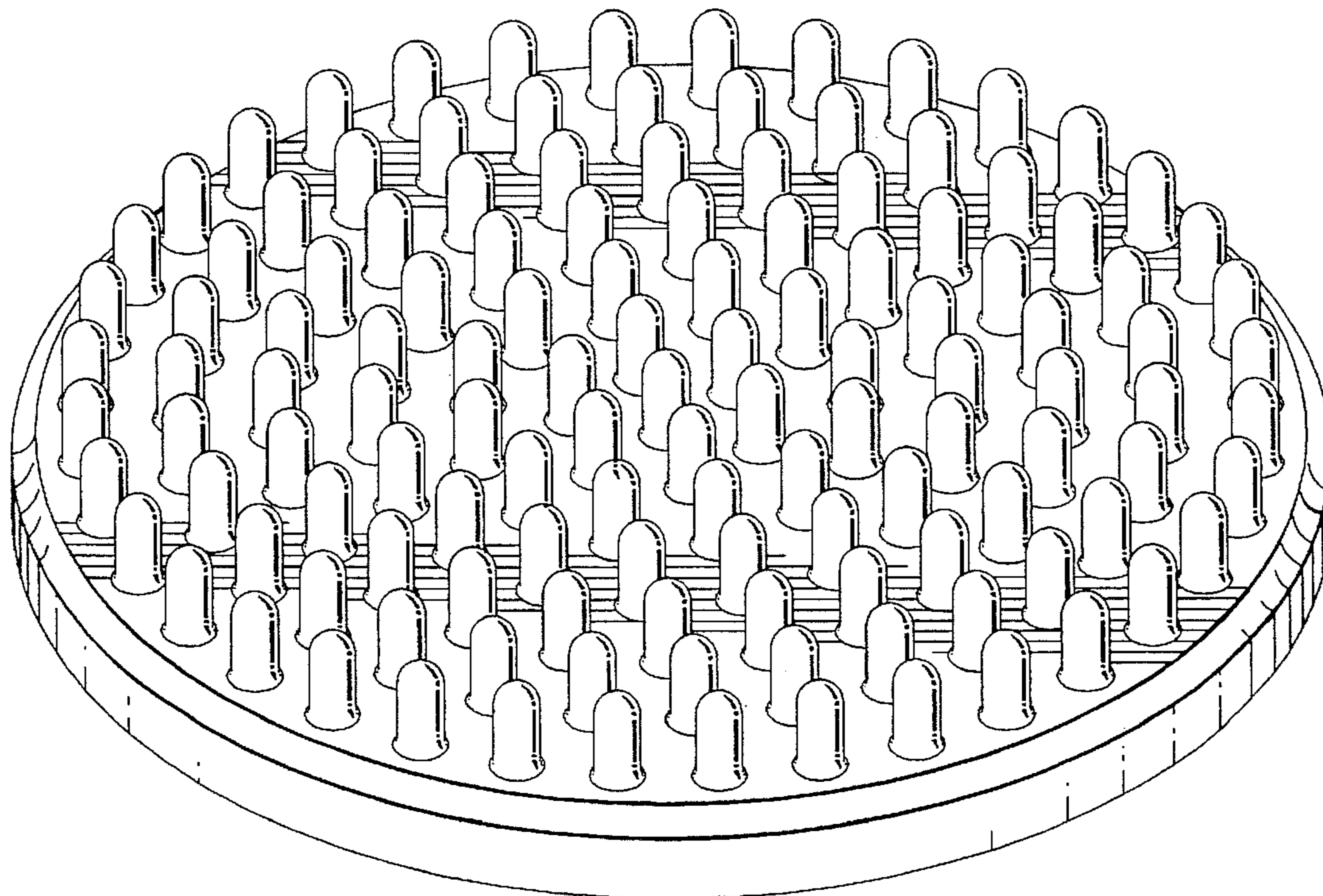
D. 361,505	8/1995	Carioli	.....	D8/374
2,301,385	11/1942	Ehrgott	.....	248/346.1
2,852,883	9/1958	Walsh	.....	248/188.9
2,902,794	9/1959	Ehrgott	.....	248/188.9
2,919,514	1/1960	King et al.	.....	248/188.9

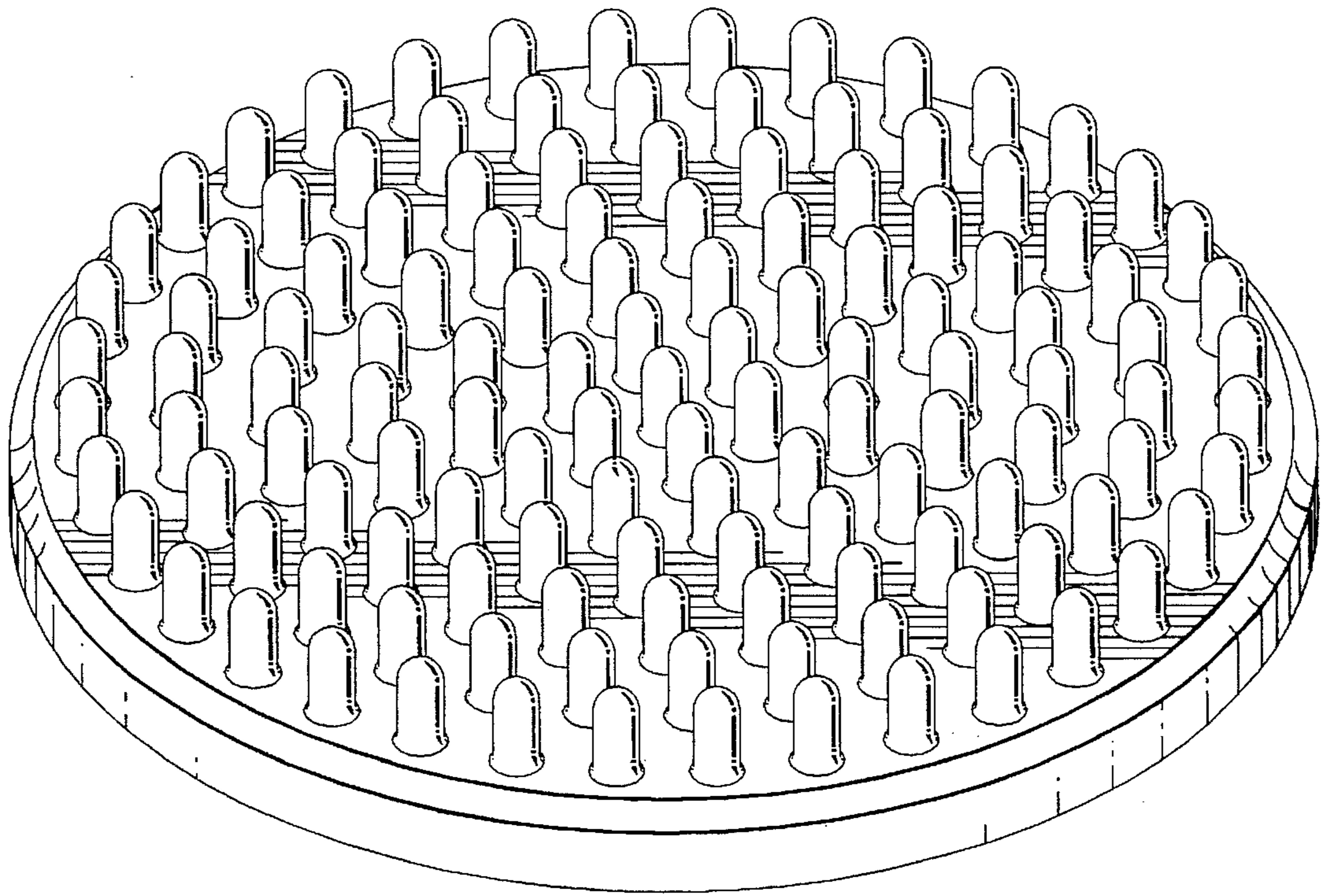
FIG. 1 is a perspective view showing the bottom of my carpet protector;  
FIG. 2 is a bottom plan view thereof;  
FIG. 3 is an end view thereof;  
FIG. 4 is a side view thereof; and,  
FIG. 5 is a top plan view thereof.  
The undisclosed opposite side, end, front and rear views are identical in appearance to those shown in FIGS. 3 and 4.

#### FOREIGN PATENT DOCUMENTS

2265314 10/1975 France .

**1 Claim, 3 Drawing Sheets**





*FIG. 1*

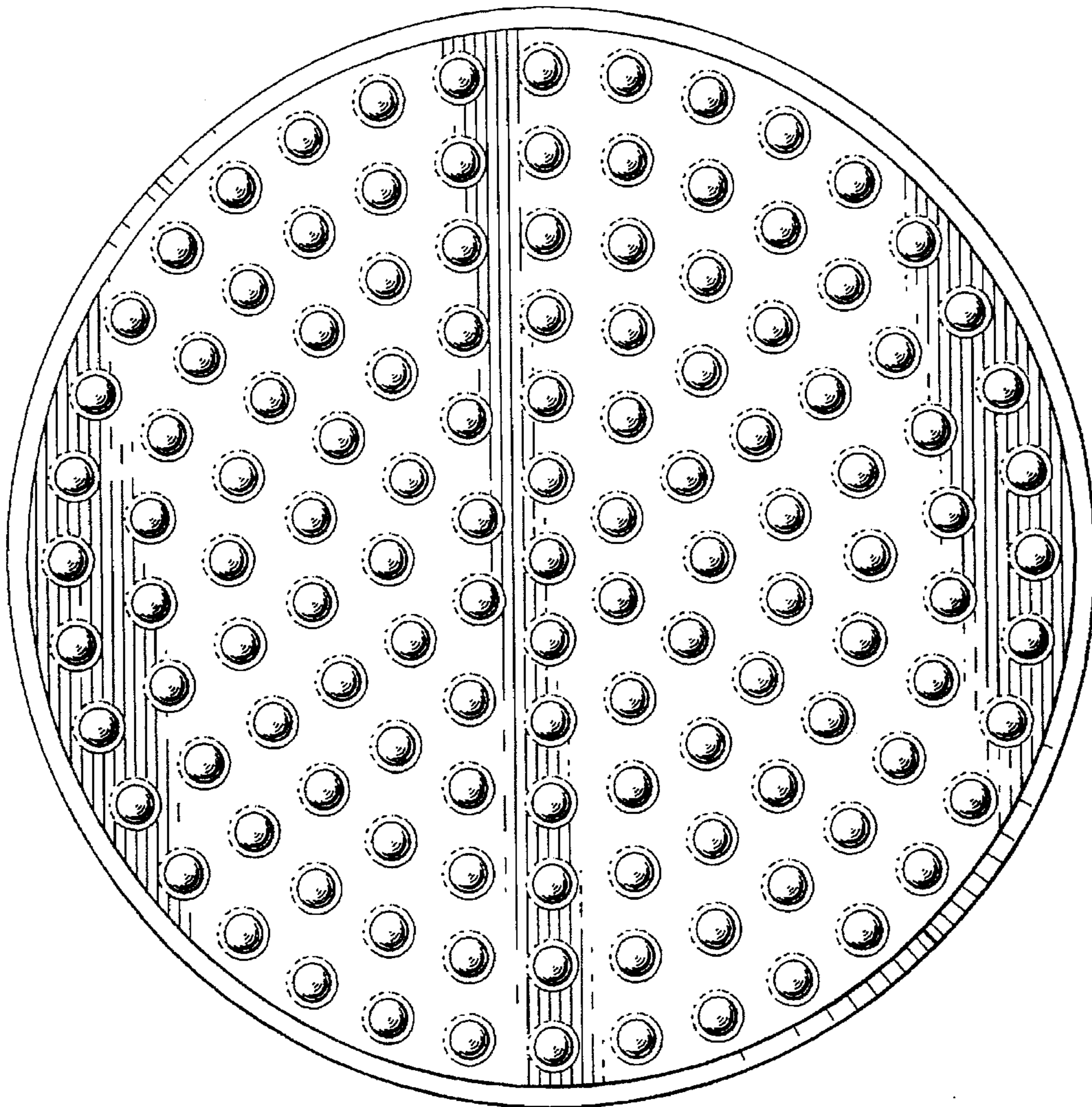


FIG. 2

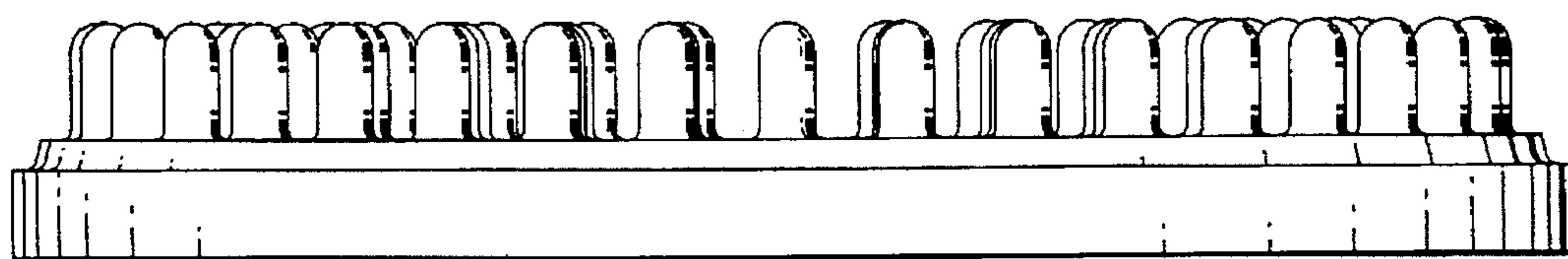


FIG. 3

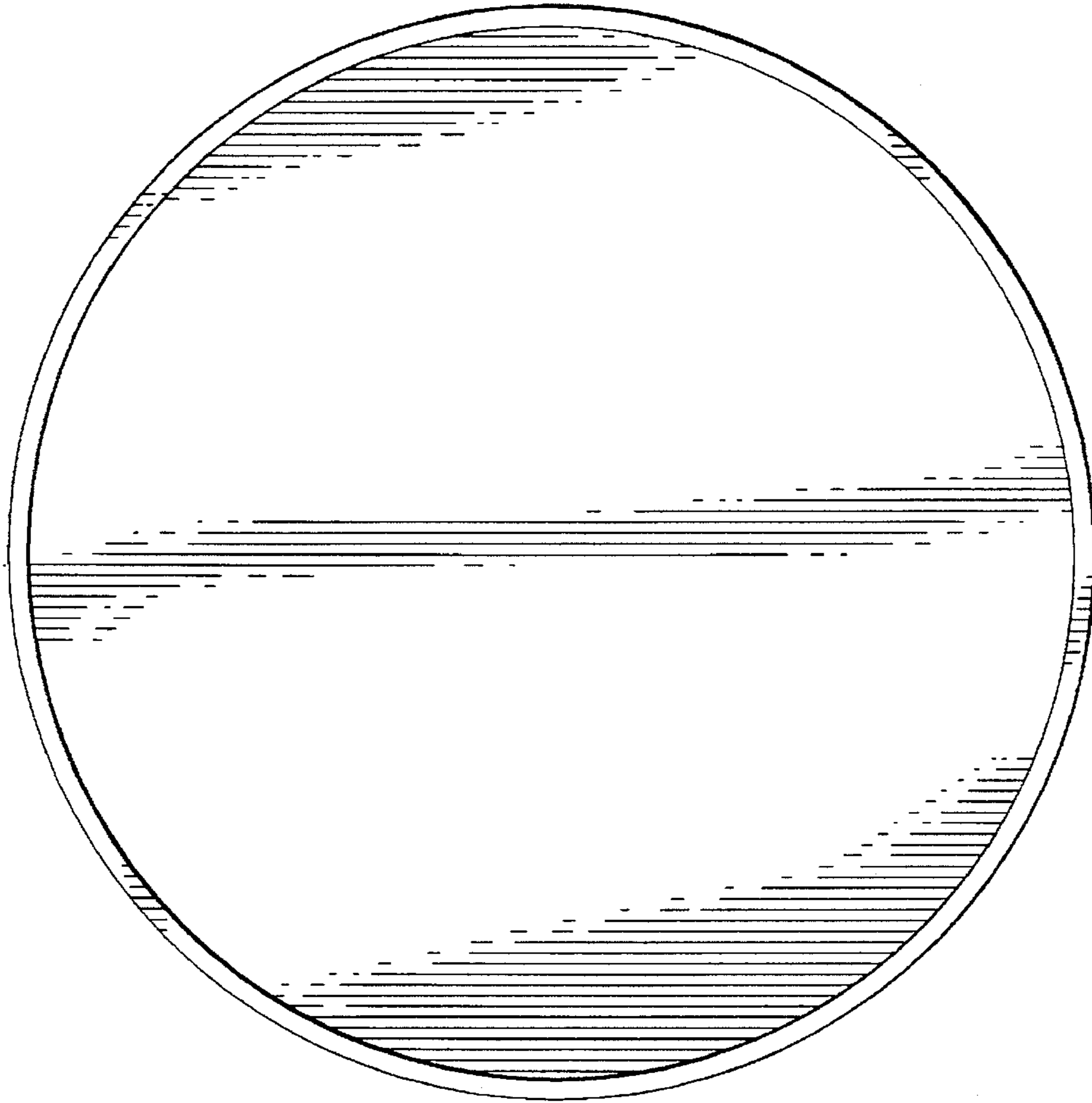


FIG. 5

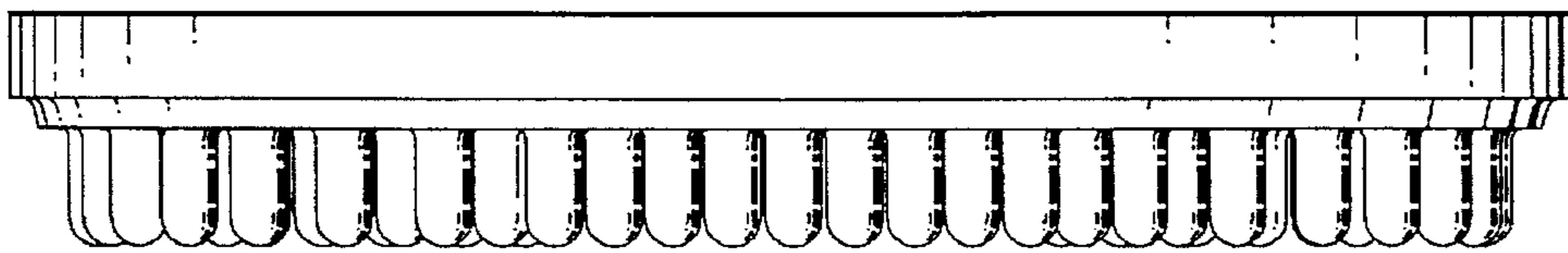


FIG. 4