



US00D379580S

United States Patent [19]
Amundsen

[11] **Patent Number: Des. 379,580**
[45] **Date of Patent: **Jun. 3, 1997**

[54] **MECHANICAL ASSIST HANDLE**
[75] **Inventor: Neil Amundsen, Excelsior, Minn.**
[73] **Assignee: Spacesaver Corporation, Fort Atkinson, Wis.**
[**] **Term: 14 Years**
[21] **Appl. No.: 40,905**
[22] **Filed: Jun. 29, 1995**
[51] **LOC (6) Cl. 08-06**
[52] **U.S. Cl. D8/300; D15/142**
[58] **Field of Search D8/300, 307, 309, D8/352; D15/142; 74/545, 552, 553, 557**

[56] **References Cited**
U.S. PATENT DOCUMENTS
1,865,072 6/1932 Appleman et al. 74/557
1,866,111 7/1932 Jones 74/557
2,851,901 9/1958 Kortier et al. 74/545 X
4,881,389 11/1989 Alfon et al. 74/552 X
4,930,181 6/1990 Johnson 16/110 R

OTHER PUBLICATIONS
Balcrank May 1963 bottom left.
Primary Examiner—Paula A. Mortimer
Attorney, Agent, or Firm—Ryan, Maki, Mann & Hohenfeldt

[57] **CLAIM**
The ornamental design for a mechanical assist handle, as shown.

DESCRIPTION
FIG. 1 is a front perspective view of a mechanical assist handle showing my new design;
FIG. 2 is a front elevational view of the mechanical assist handle of FIG. 1;
FIG. 3 is a side view of the mechanical assist handle of FIG. 1 viewed from the right;
FIG. 4 is a side view of the mechanical assist handle of FIG. 1 viewed from the left;
FIG. 5 is a rear elevational view of the mechanical assist handle shown in FIG. 1;
FIG. 6 is a front perspective view of a second embodiment of a mechanical assist handle showing my new design;
FIG. 7 is a front elevational view of the mechanical assist handle of FIG. 6;
FIG. 8 is a side view of the mechanical assist handle of FIG. 6, viewed from the right;
FIG. 9 is a side view of the mechanical assist handle shown in FIG. 6, viewed from the left; and,
FIG. 10 is a rear elevational view of the mechanical assist handle of FIG. 6.

1 Claim, 6 Drawing Sheets

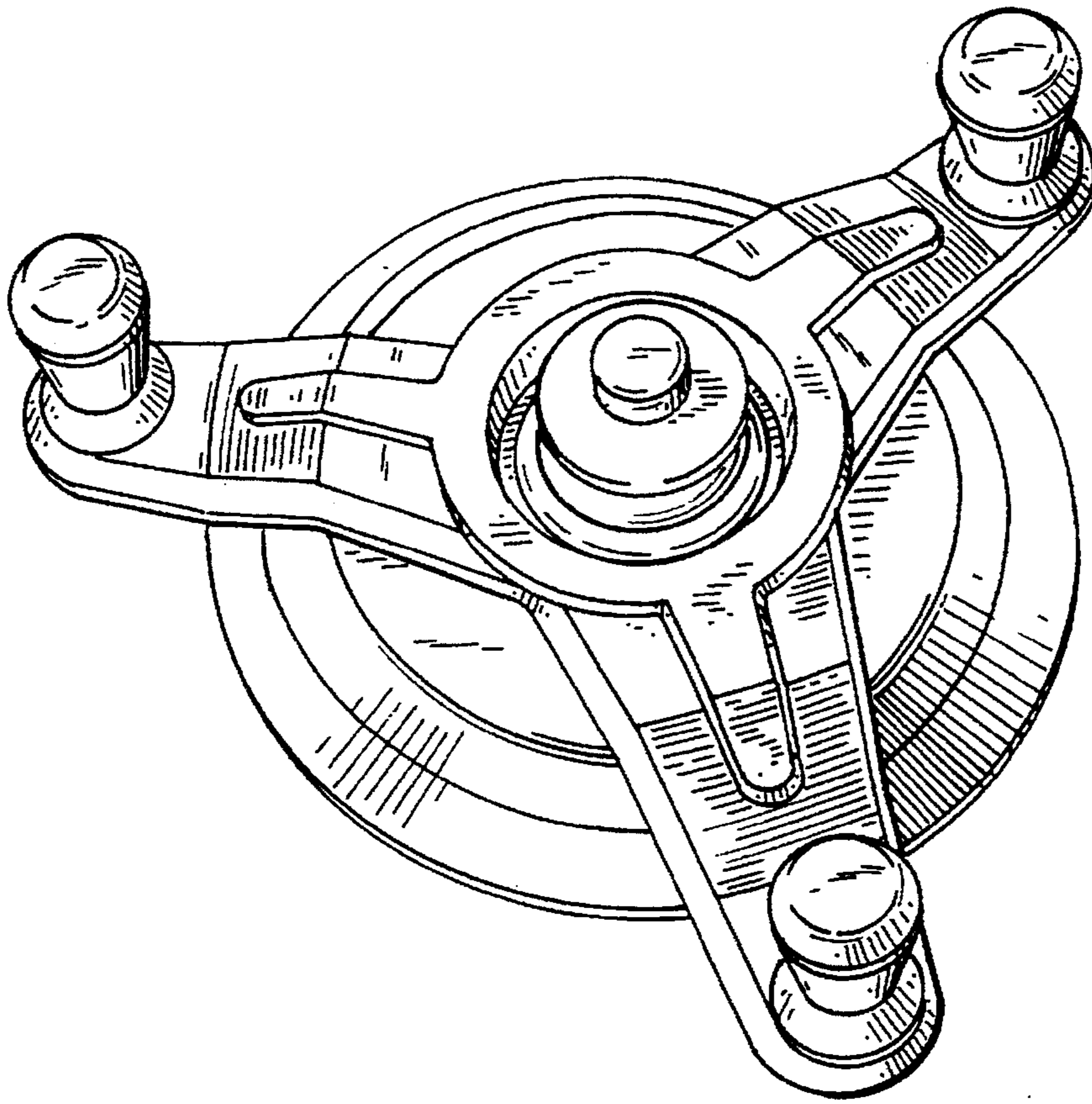
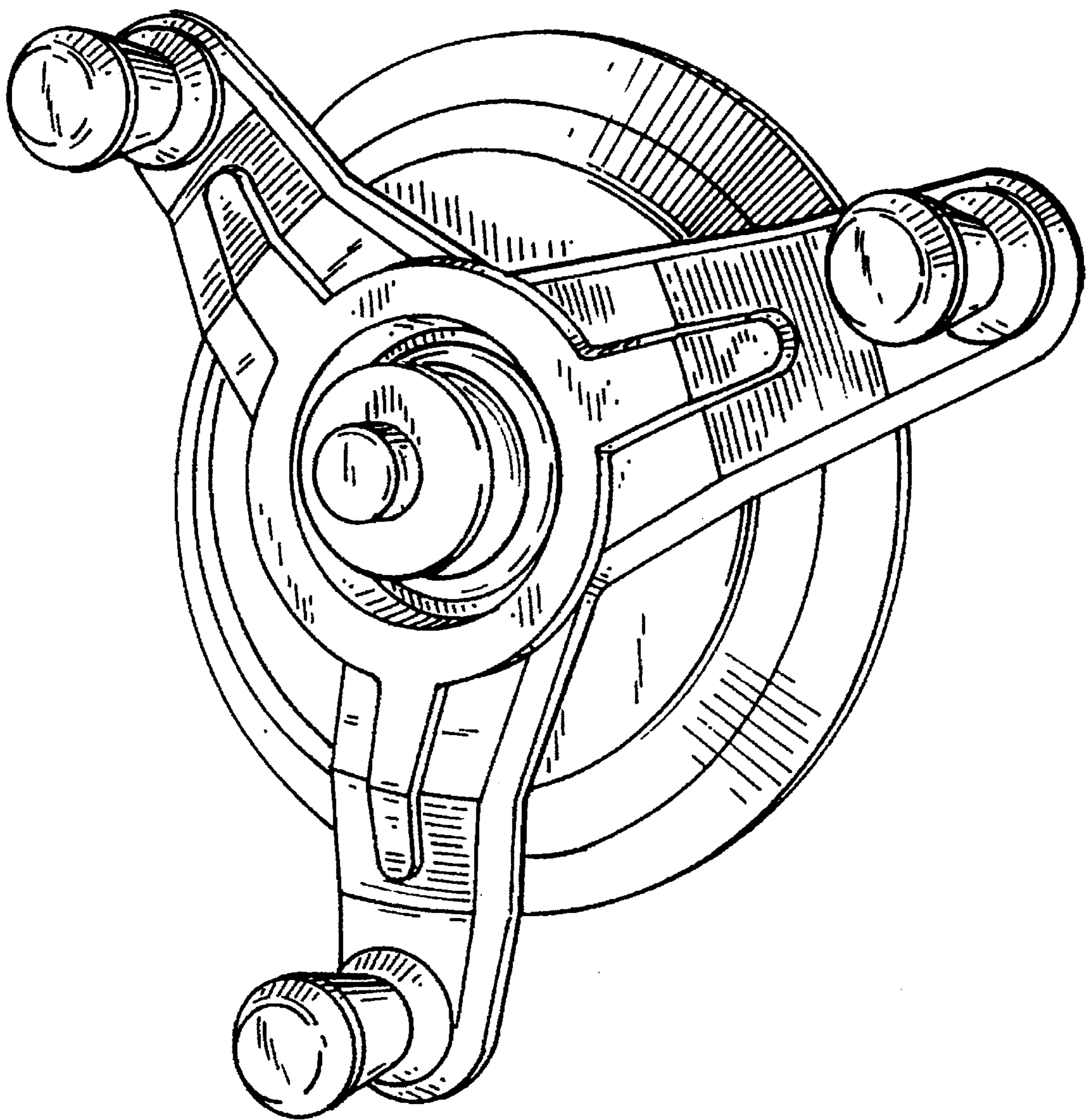


Fig. 2



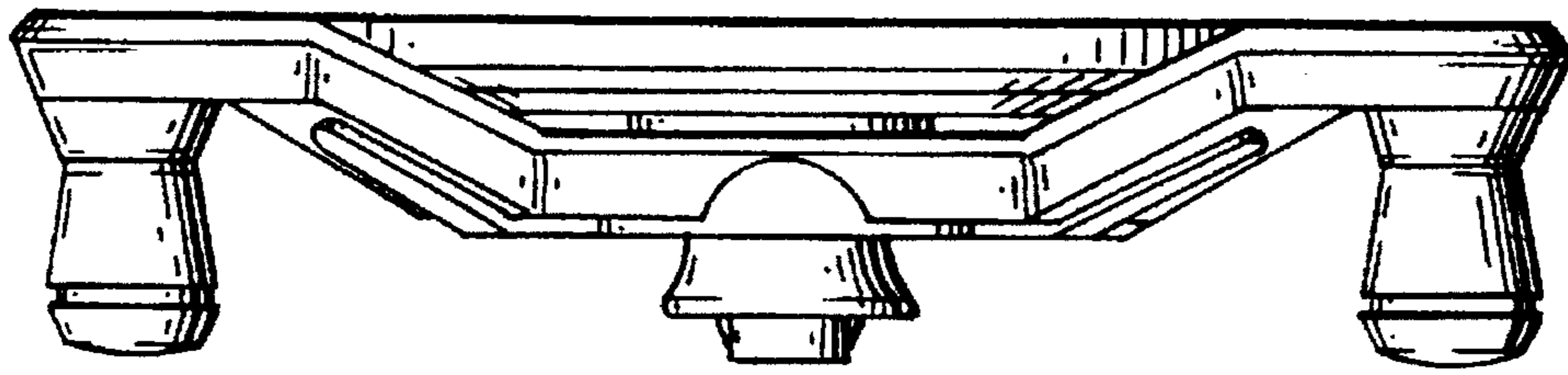


Fig. 3

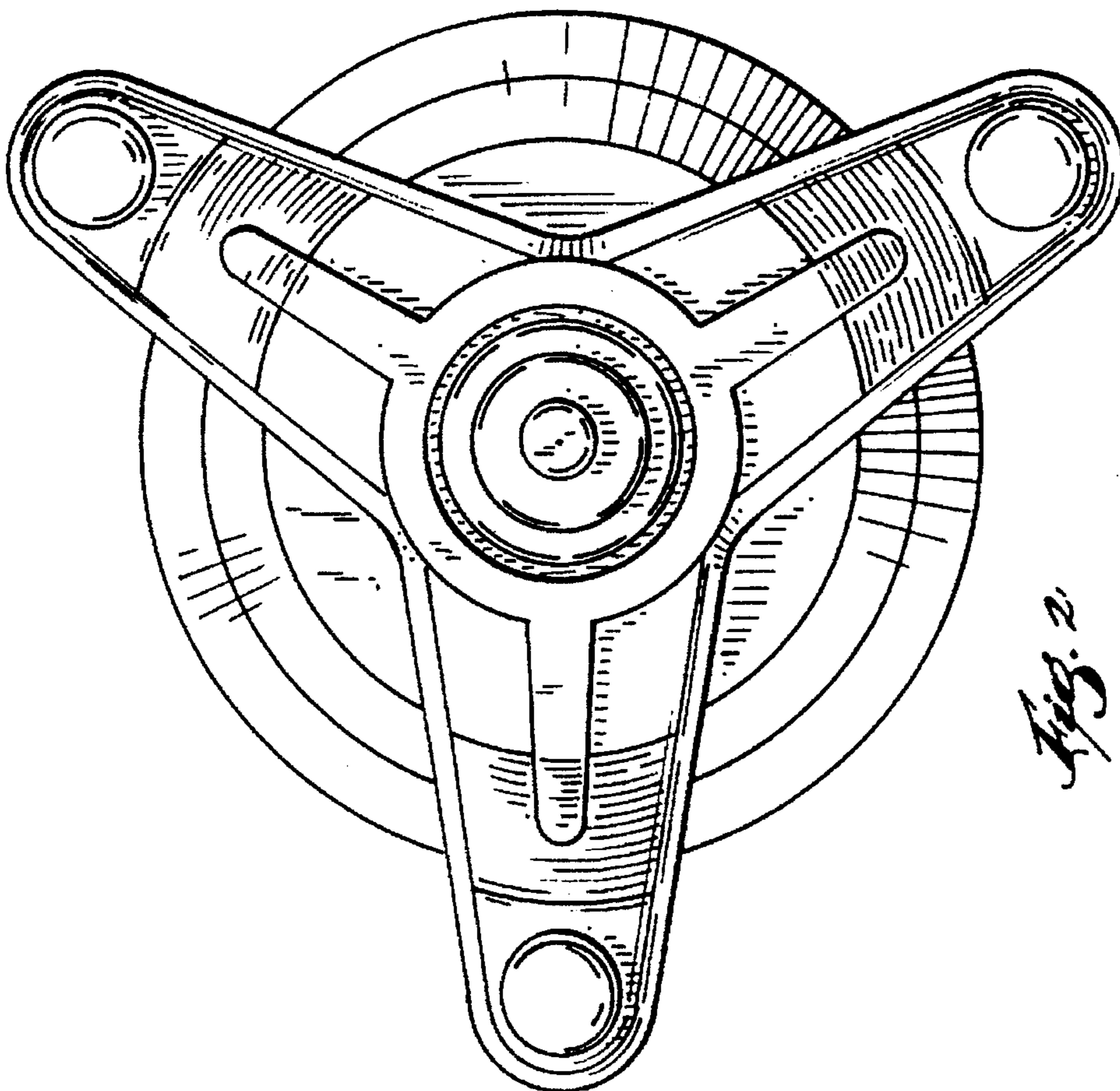


Fig. 2

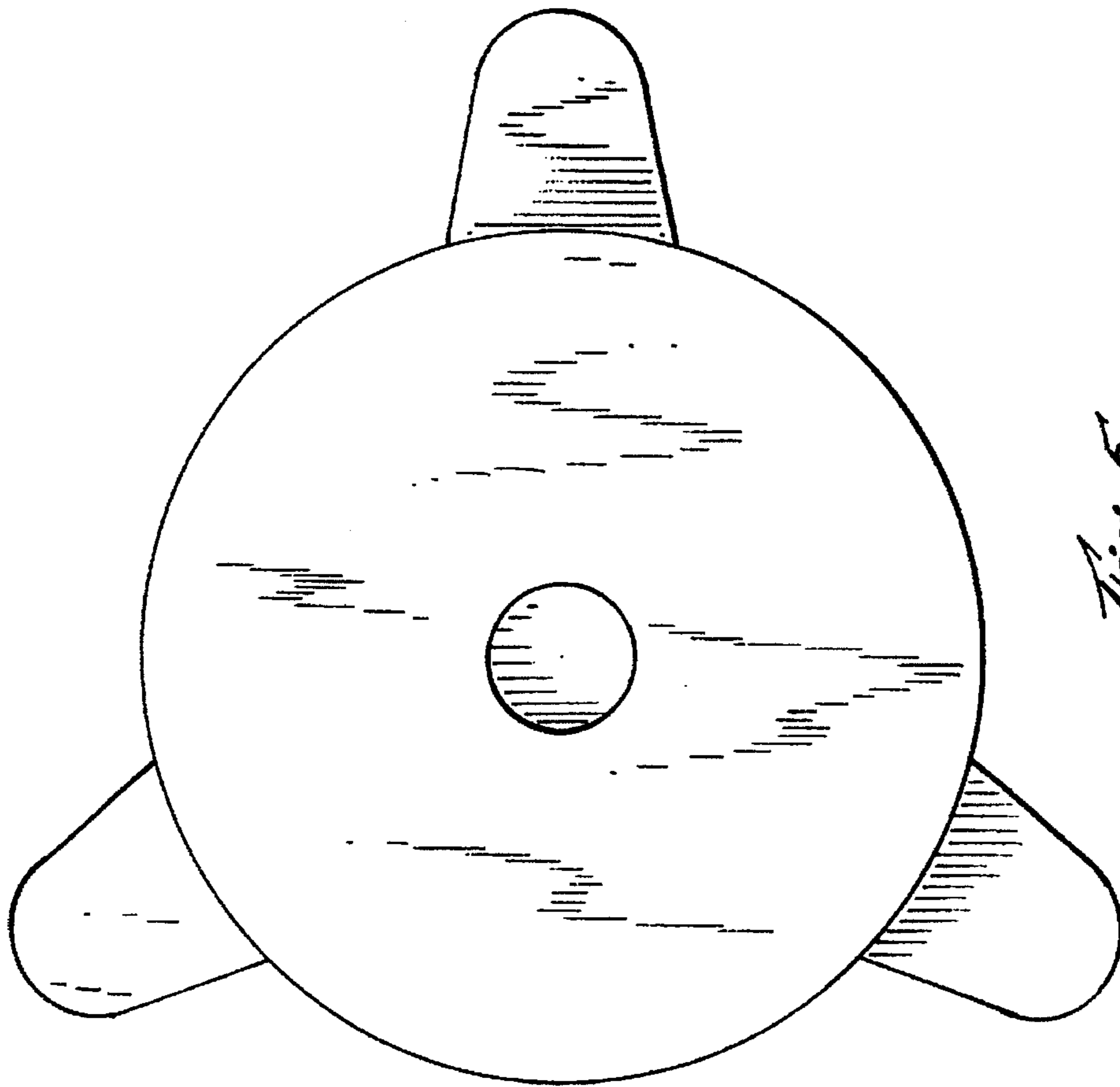


Fig. 5

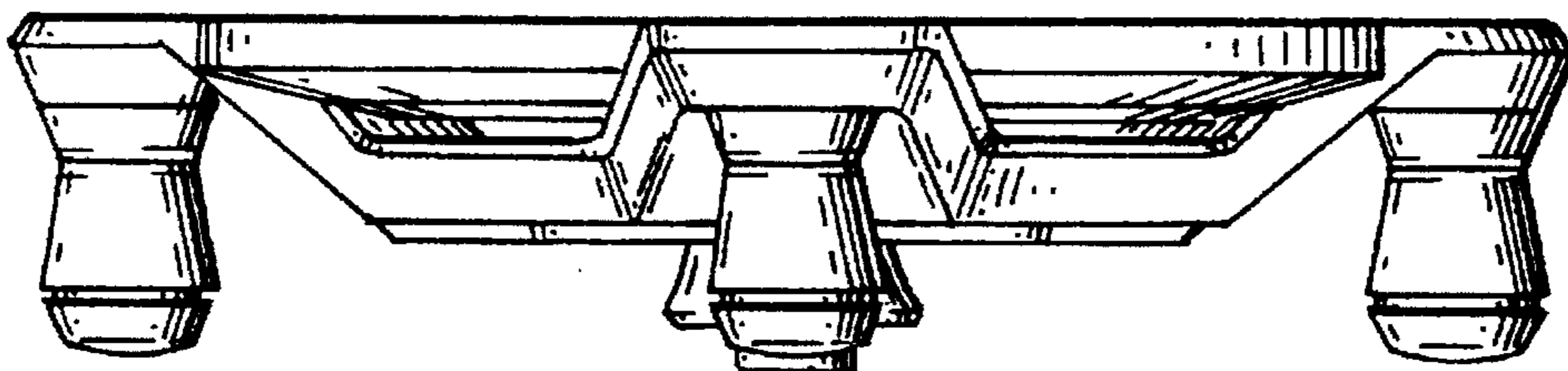
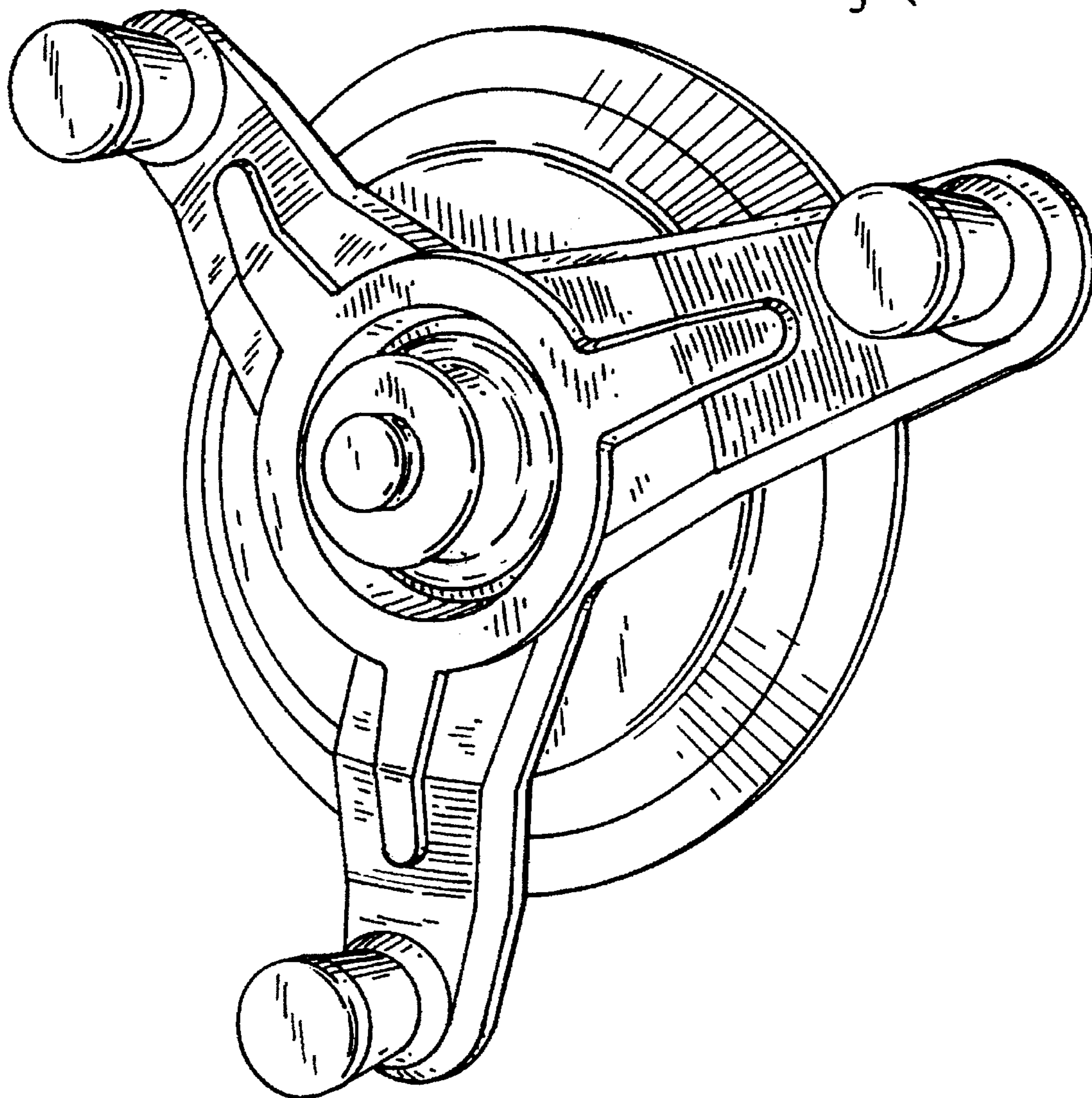


Fig. 4

Fig. 6



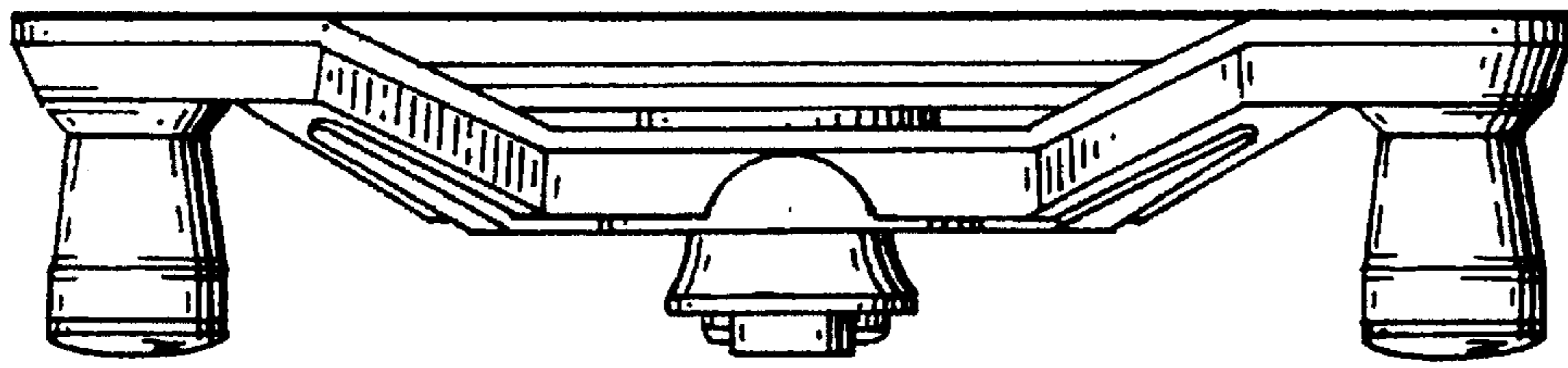


Fig. 8

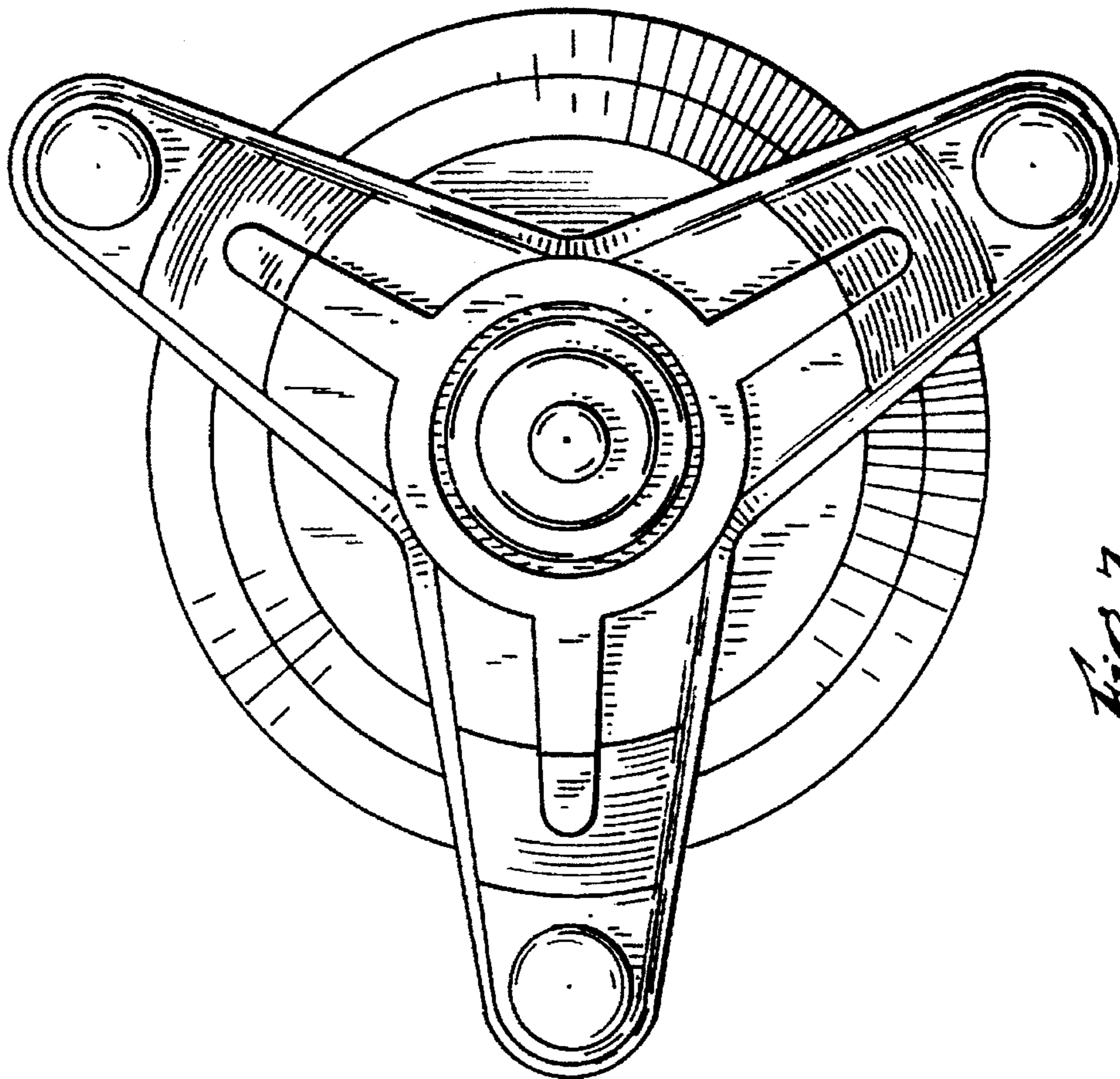


Fig. 7

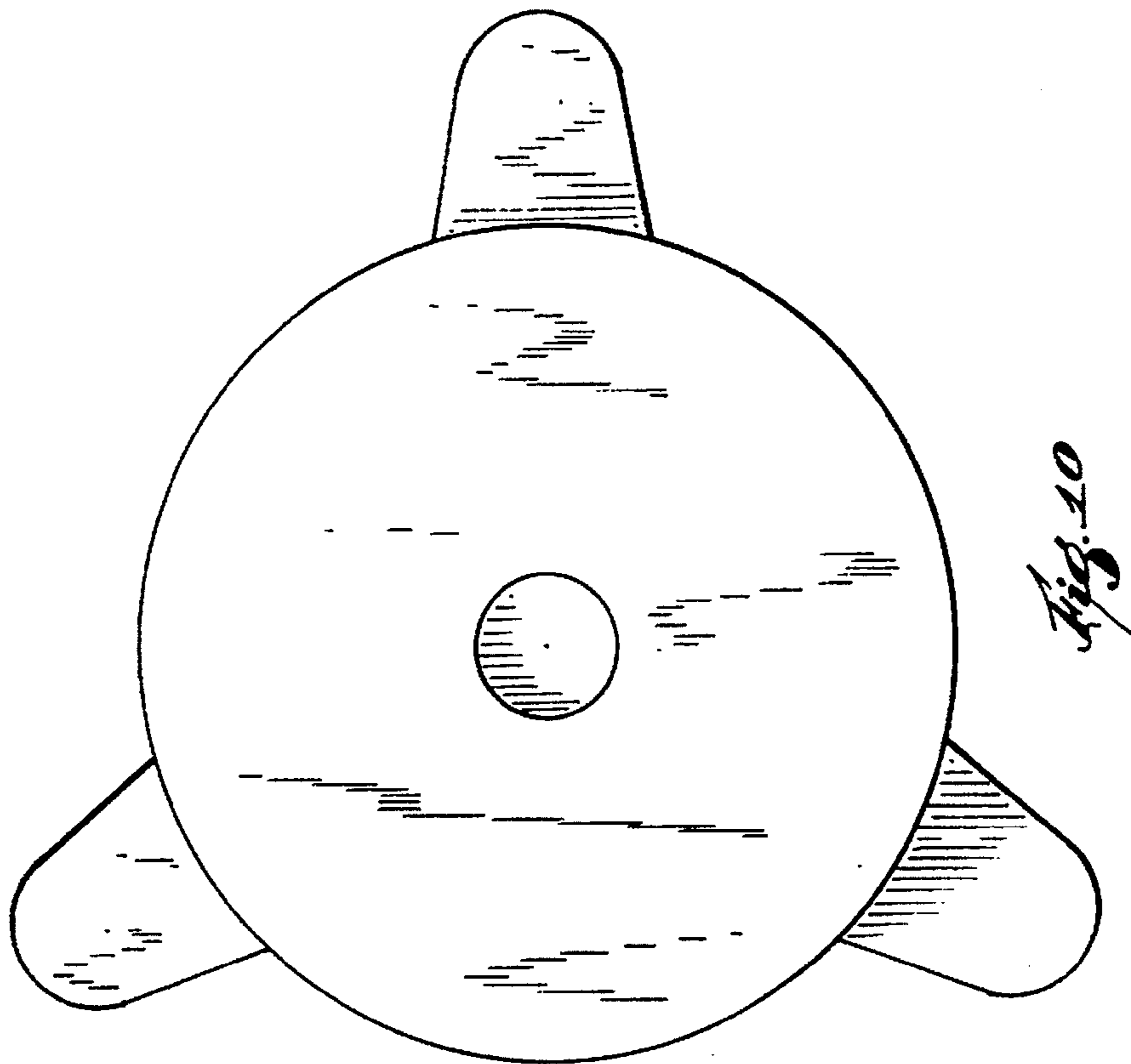


Fig. 10

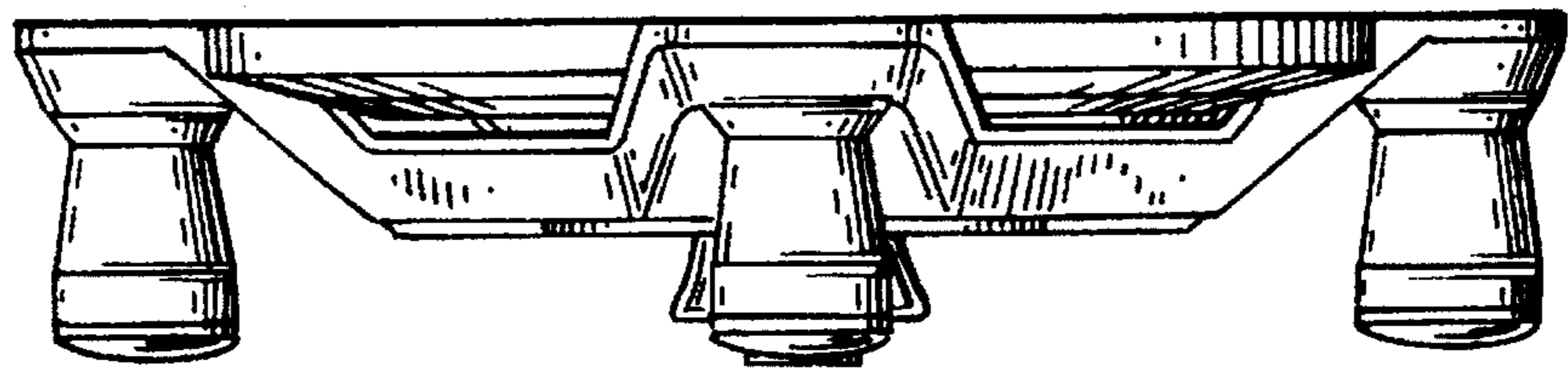


Fig. 9