



US00D379573S

**United States Patent** [19]  
**Lin**

[11] **Patent Number:** **Des. 379,573**

[45] **Date of Patent:** **\*\*Jun. 3, 1997**

[54] **OVAL-SHAPED CANISTER**

*Attorney, Agent, or Firm*—W. Wayne Liauh

[76] **Inventor:** **Tina Lin**, 11F, No. 191, Fu Hsin North Road, Taipei, Taiwan

[57] **CLAIM**

[\*\*] **Term:** **14 Years**

The ornamental design for an oval-shaped canister, as shown and described.

[21] **Appl. No.:** **48,195**

**DESCRIPTION**

[22] **Filed:** **Dec. 22, 1995**

[51] **LOC (6) Cl.** ..... **09-02**

FIG. 1 is a perspective view of an oval-shaped canister showing my new design;

[52] **U.S. Cl.** ..... **D7/612**

FIG. 2 is a front elevation view thereof;

[58] **Field of Search** ..... D7/612-615; D9/539, D9/551; 220/314, 315, 321, 324, 334, 337-340

FIG. 3 is a rear elevation view thereof;

[56] **References Cited**

**U.S. PATENT DOCUMENTS**

D. 177,570 5/1956 James ..... D7/612  
5,385,257 1/1995 Hung ..... 220/324

FIG. 4 is a left side elevation view thereof;

FIG. 5 is a right side elevation view thereof;

**OTHER PUBLICATIONS**

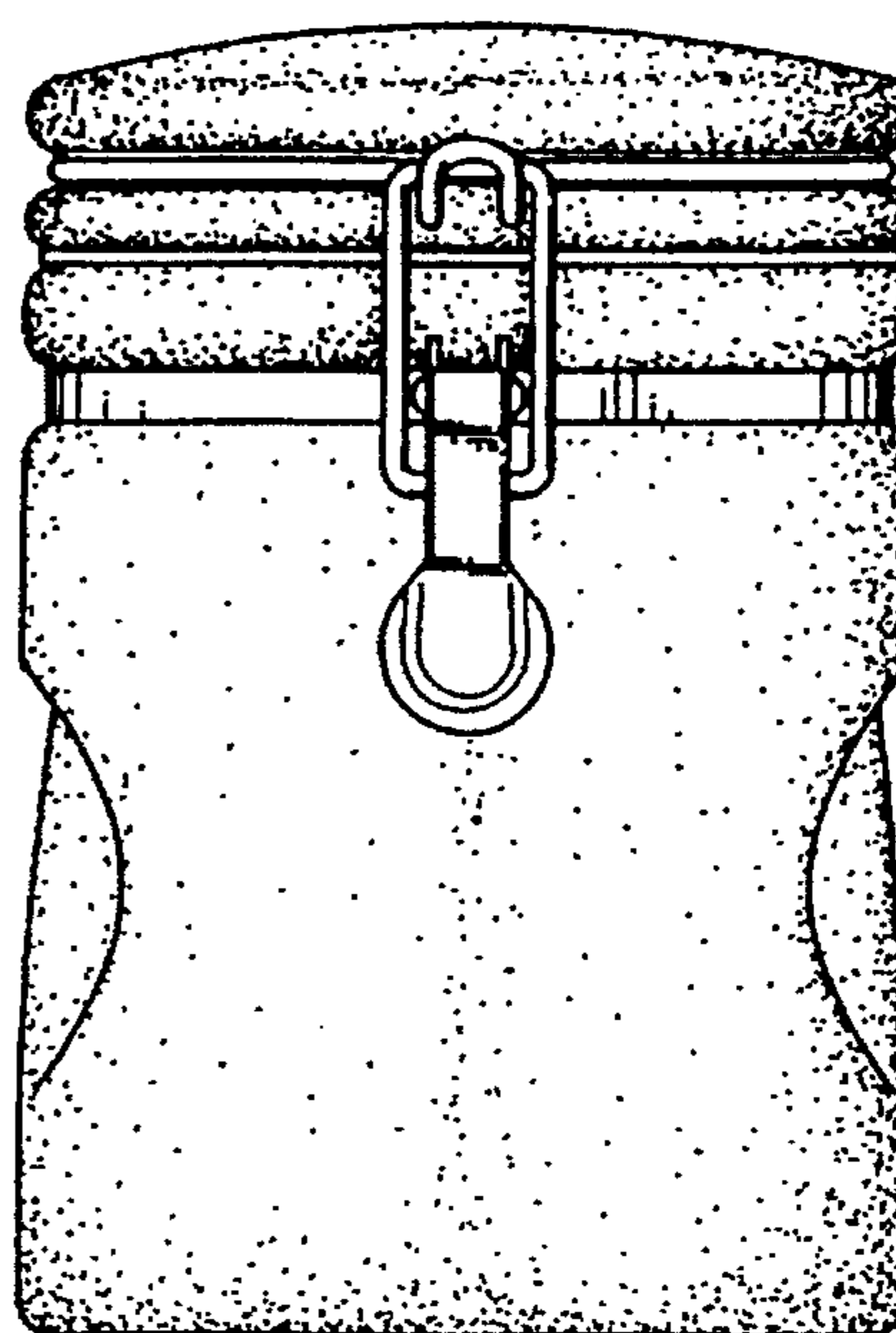
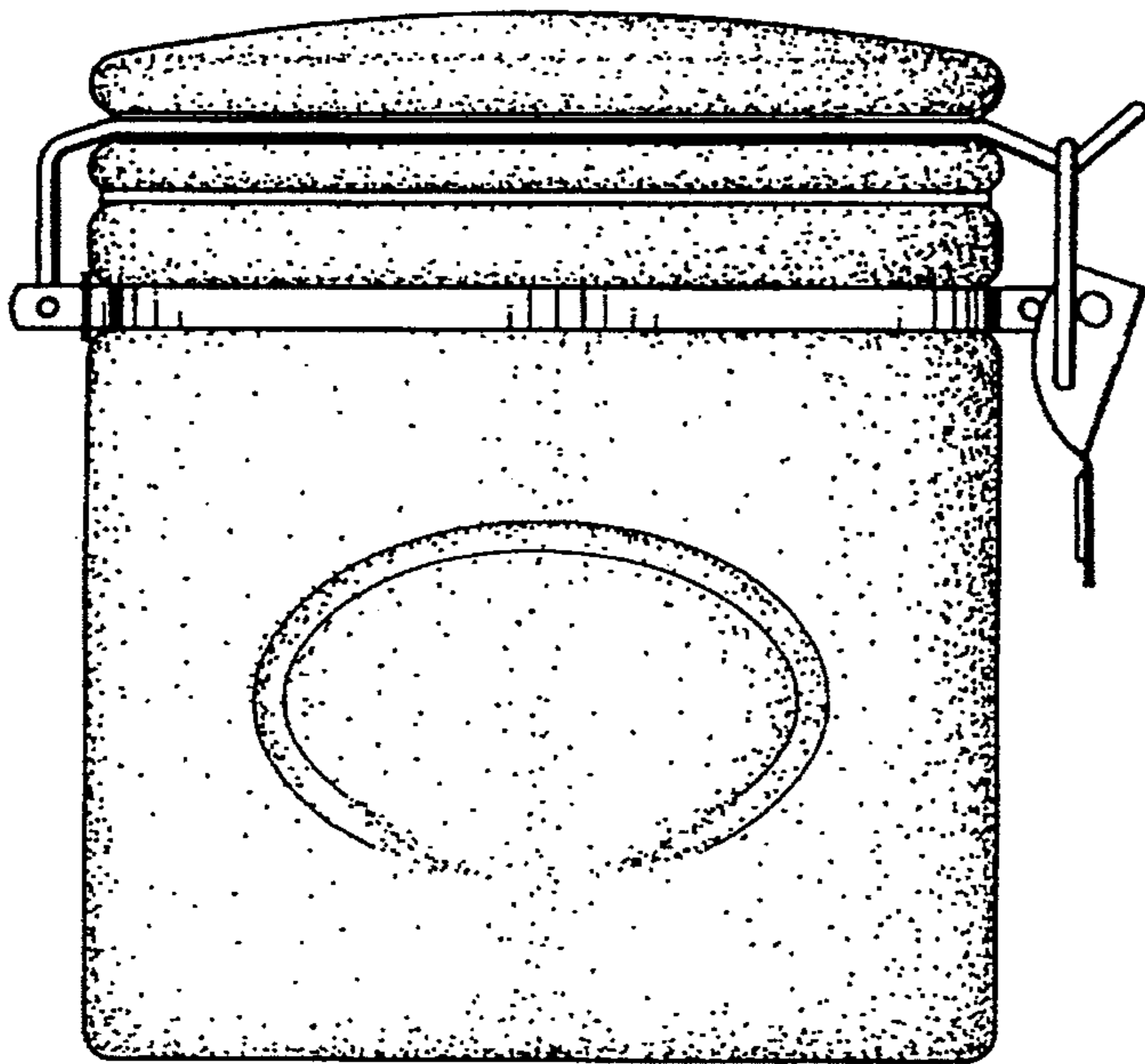
HfD, May 4, 1992, p. 52, storage jar.  
GDA, Apr. 1982, p. 100, Canister.

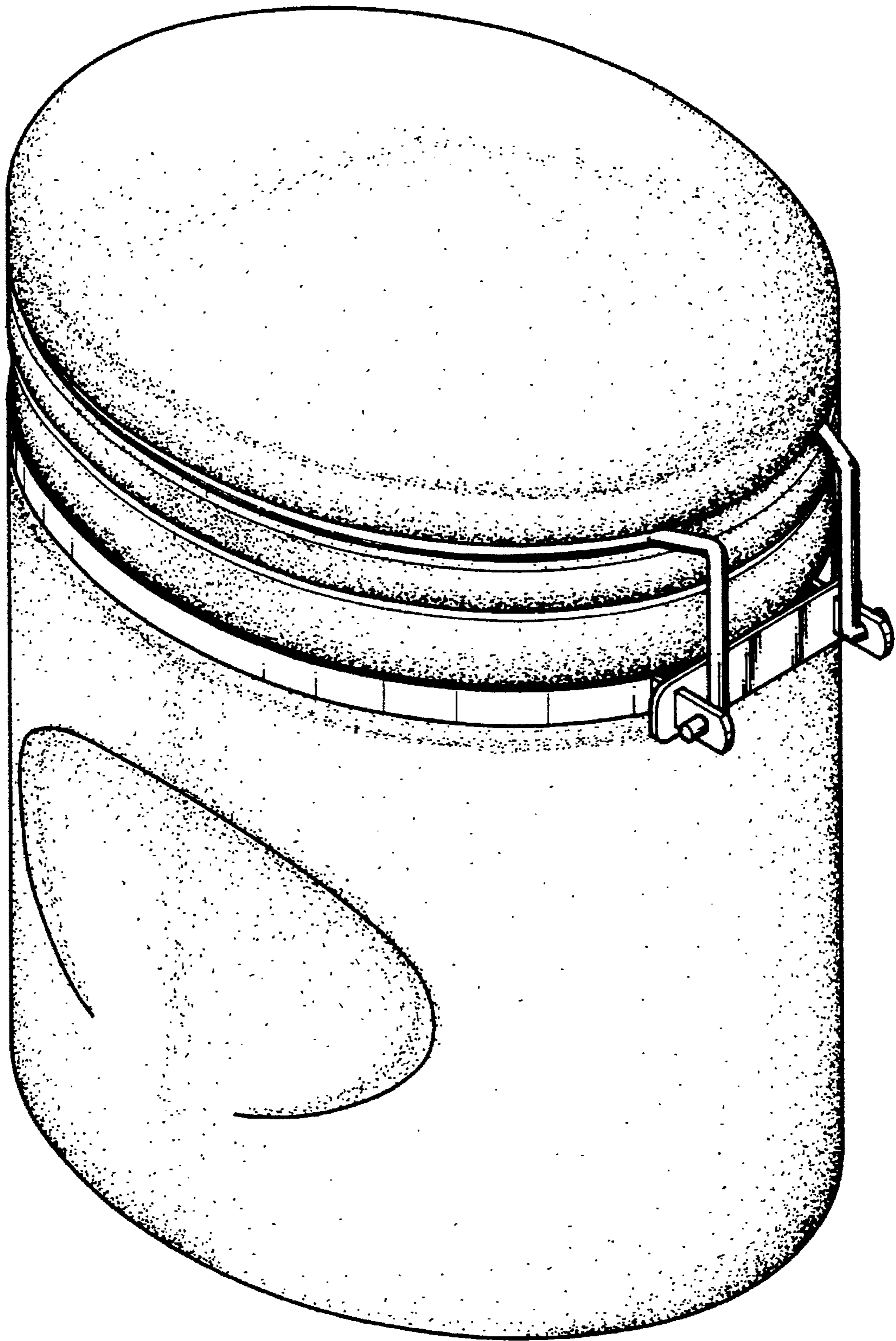
FIG. 6 is a top plan view thereof; and,

FIG. 7 is a bottom plan view thereof.

*Primary Examiner*—Terry A. Wallace

**1 Claim, 4 Drawing Sheets**





F I G.1

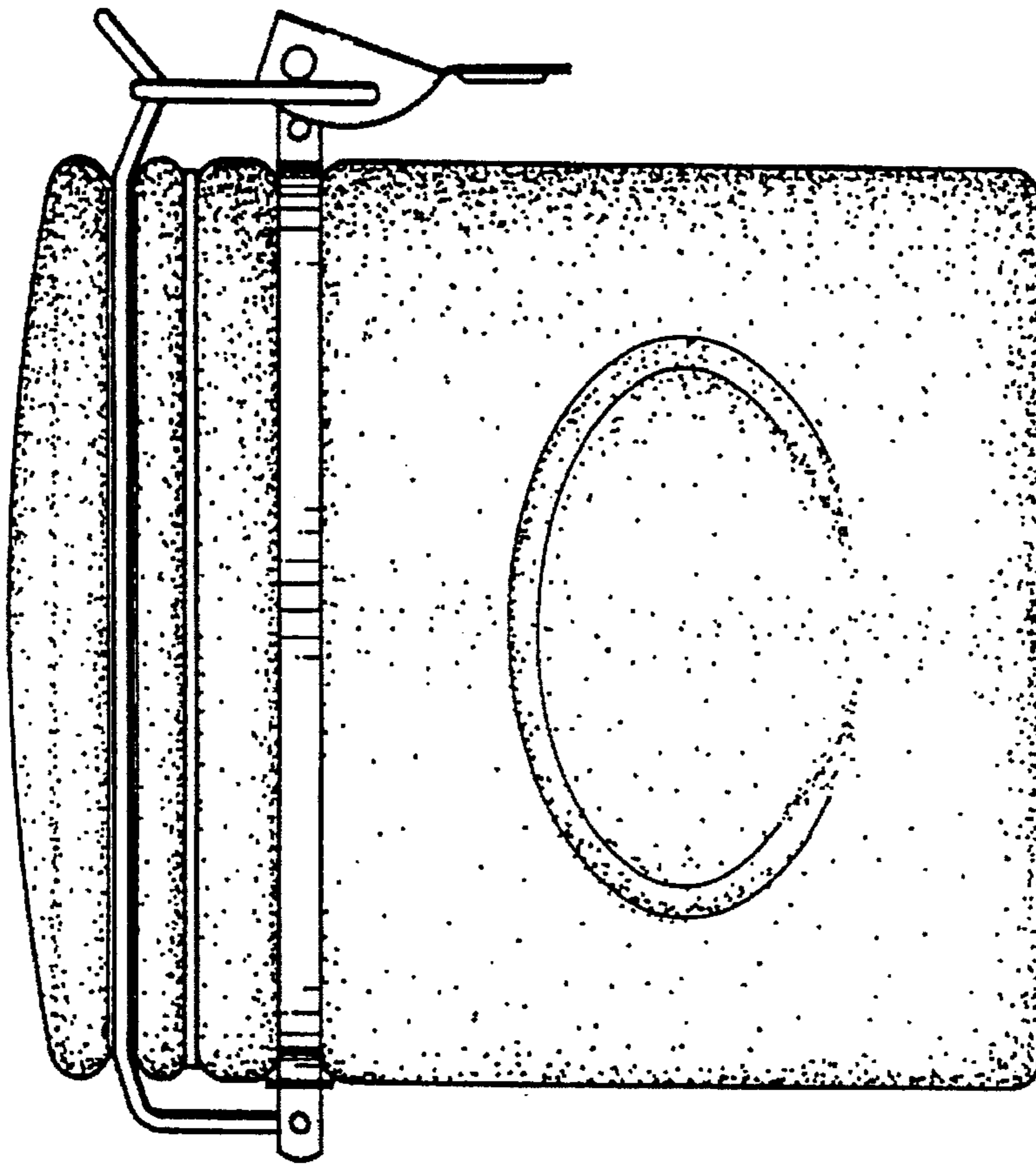


FIG. 3

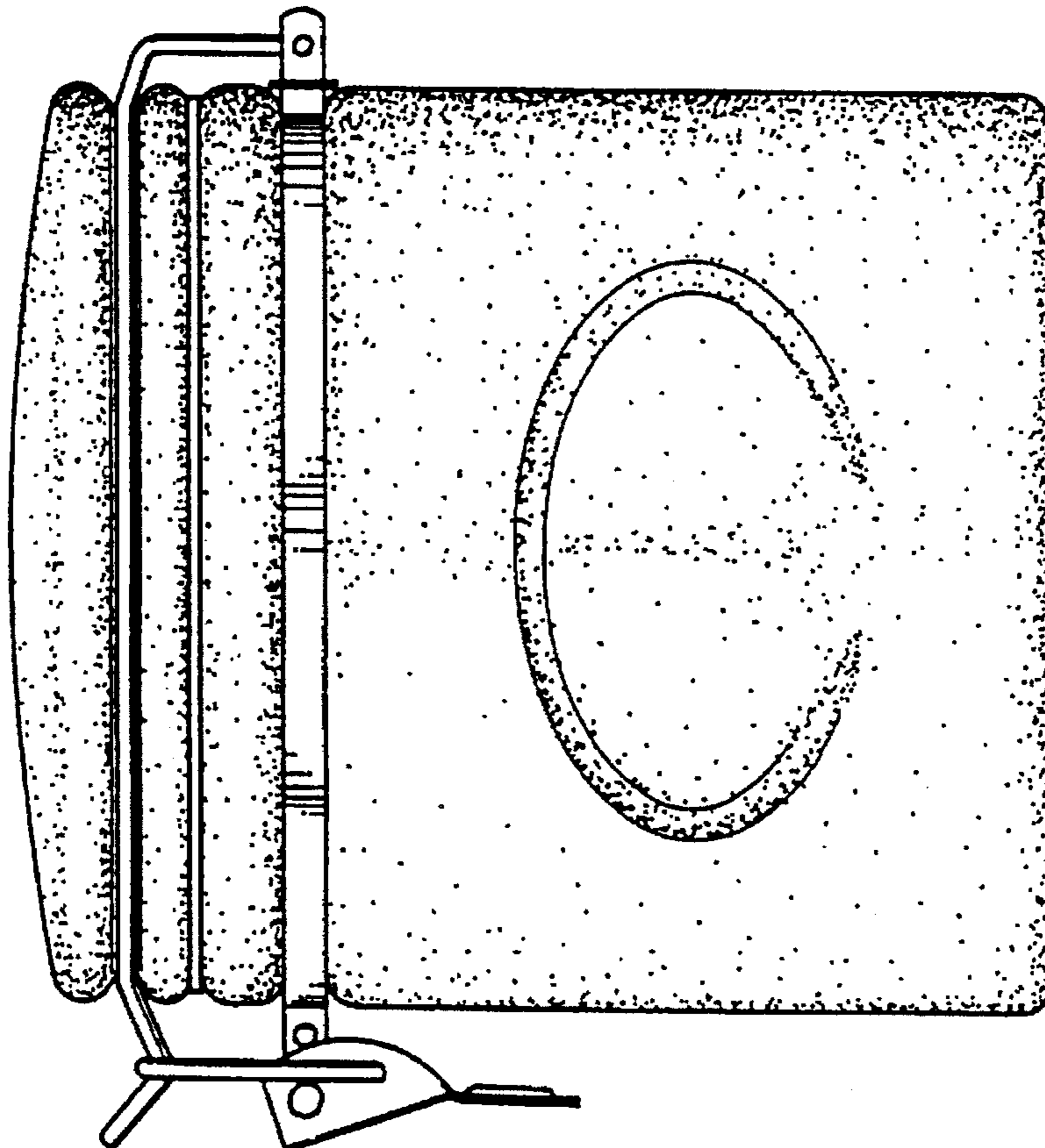


FIG. 2

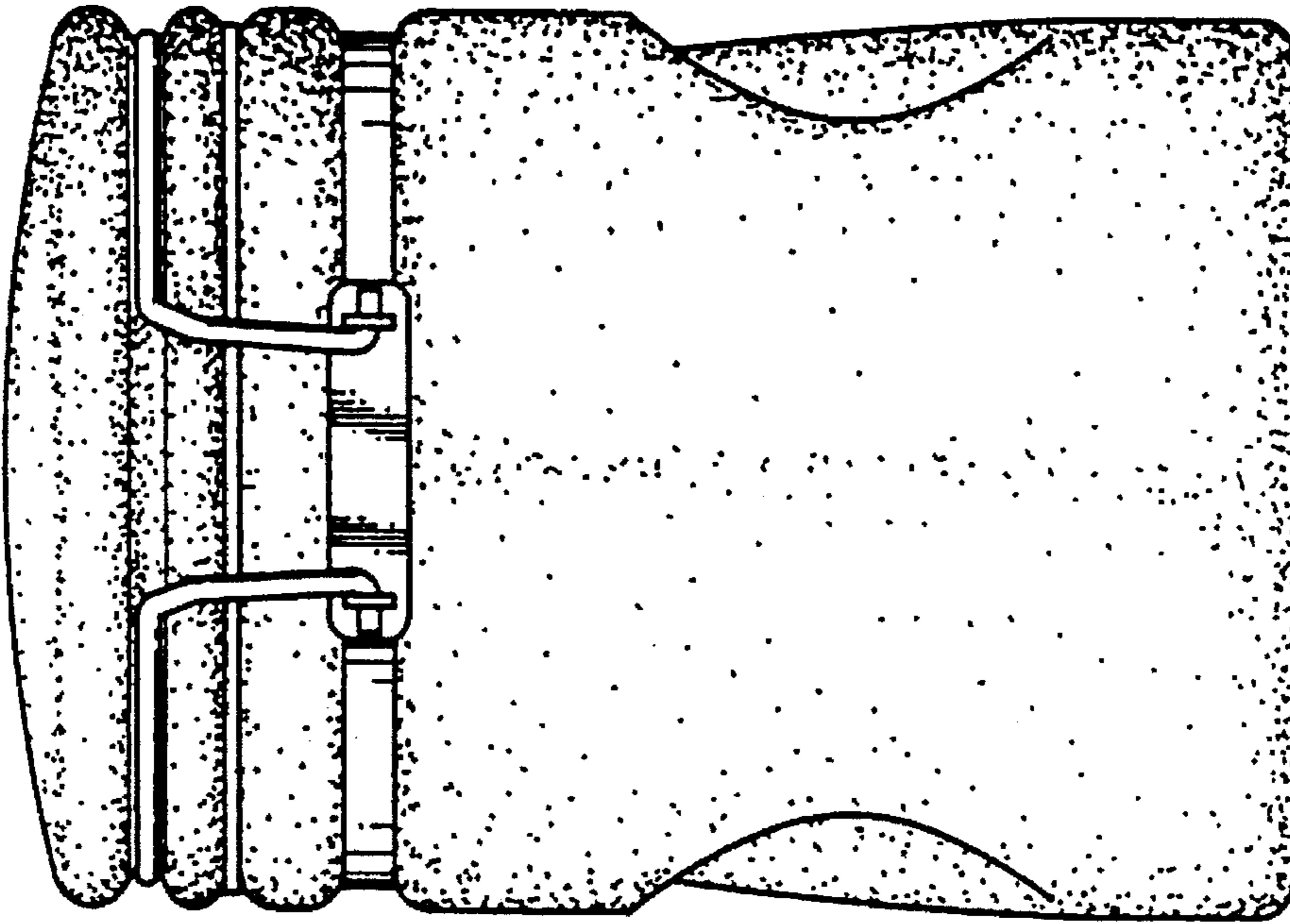


FIG. 5

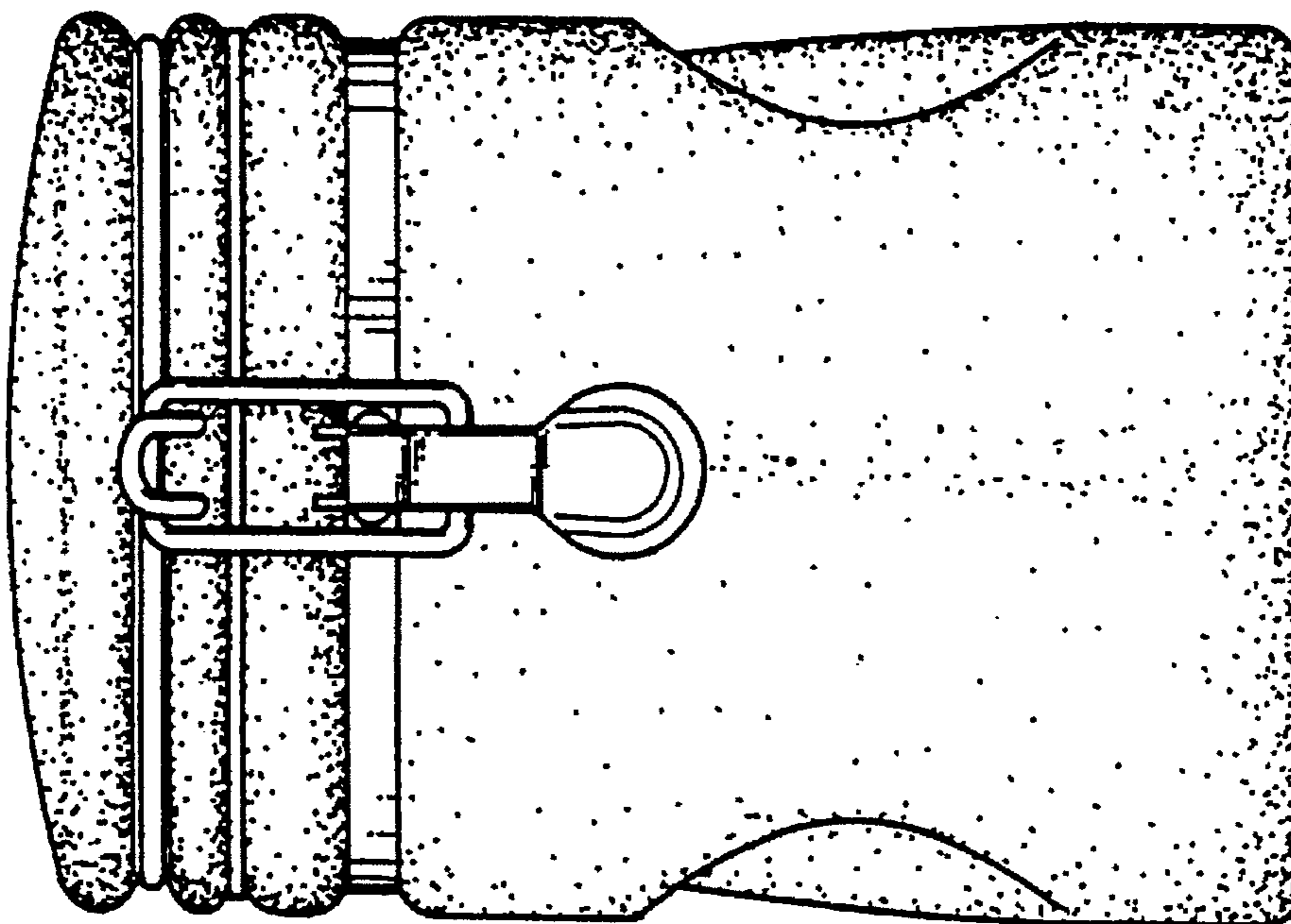


FIG. 4

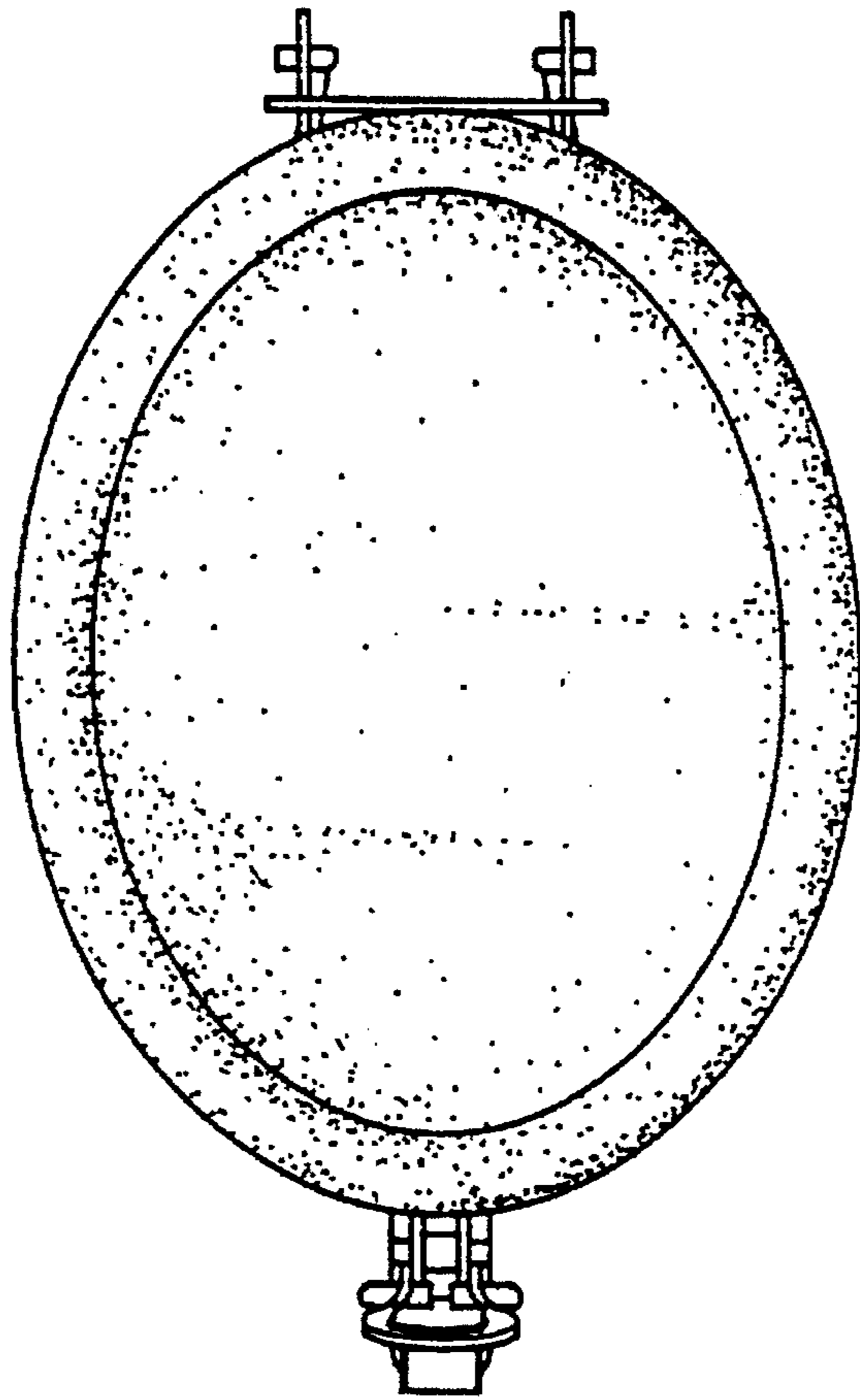


FIG. 7

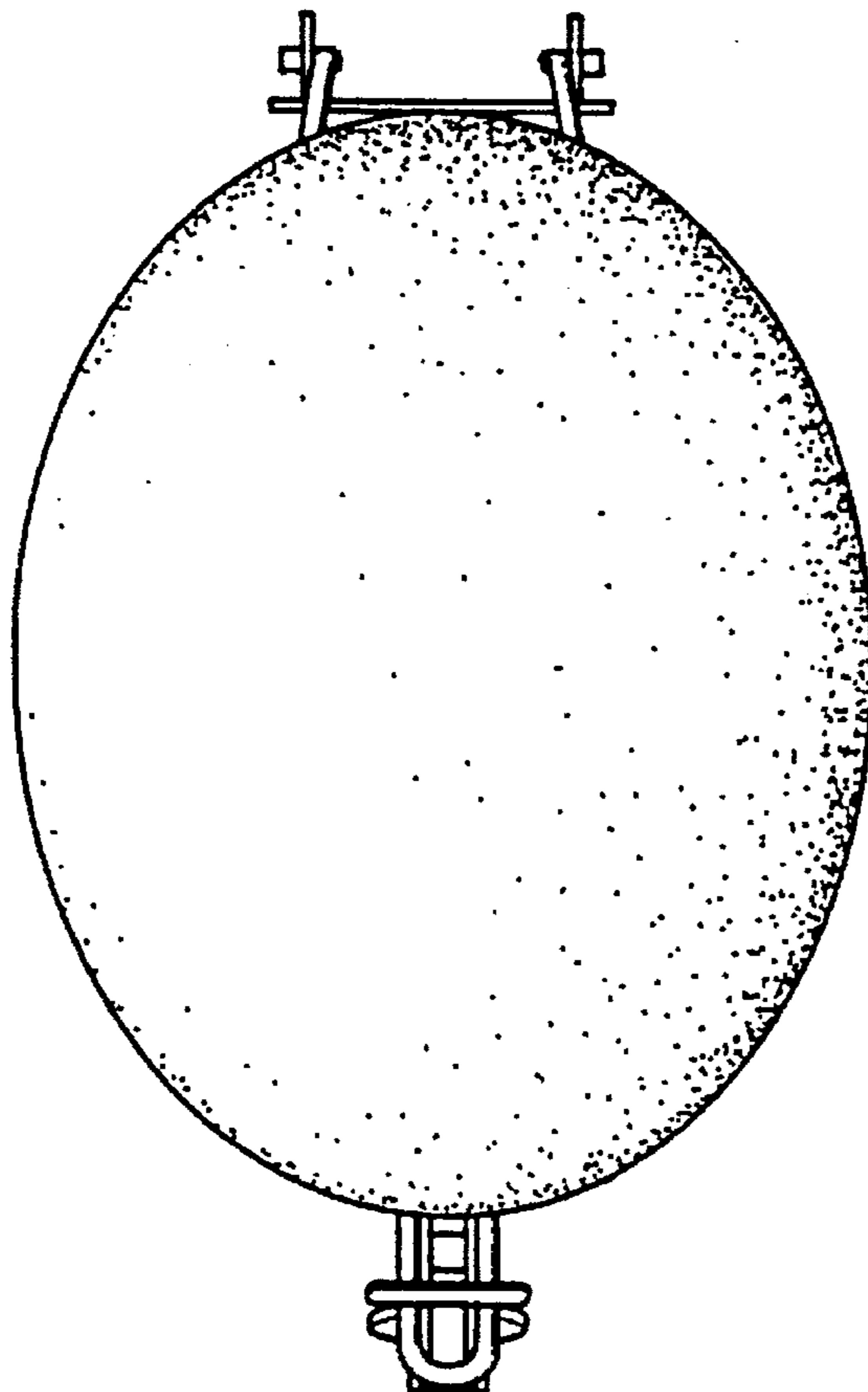


FIG. 6