



US00D379572S

United States Patent [19]

[11] Patent Number: **Des. 379,572**

Bradley et al.

[45] Date of Patent: ****Jun. 3, 1997**

[54] **COMBINED BARBEQUE GRILL AND RING SHELF**

[75] Inventors: **Kathy L. Bradley**, Mt. Washington; **Richard H. Bird**, Louisville; **Olden A. Dockery**, Louisville, all of Ky.; **Randy A. Smitley**, Corydon; **Calvin F. Sprinkle**, Borden, both of Ind.; **Donald T. Payne**, Louisville, Ky.

[73] Assignee: **Porcelain Metals Corporation**, Louisville, Ky.

[**] Term: **14 Years**

[21] Appl. No.: **42,485**

[22] Filed: **Aug. 11, 1995**

[51] LOC (6) Cl. **07-02**

[52] U.S. Cl. **D7/402; D7/332; D7/334**

[58] Field of Search **D7/332-337, 348, D7/350, 338; 126/25 R, 25 A, 25 AA, 26, 275 R, 275 E, 19 M; 99/419, 421 R, 467, 482, 2, 356, 341, 200; D23/332, 336; D32/33**

[56] **References Cited**

U.S. PATENT DOCUMENTS

- D. 295,135 4/1988 Ogden D7/334
- D. 315,079 3/1991 Jui-Yen D7/334
- D. 322,909 1/1992 Parent et al. .
- D. 325,315 4/1992 Parent et al. D7/334
- D. 325,316 4/1992 Parent et al. .
- D. 325,318 4/1992 Parent et al. .
- D. 327,805 7/1992 Parent et al. .

- D. 350,668 9/1994 Giebel et al. D7/334
- D. 351,308 10/1994 Pai D7/334
- D. 356,924 4/1995 Pai D7/334
- 2,886,386 5/1959 Spitzer .
- 4,337,751 7/1982 Sampson et al. .
- 4,677,964 7/1987 Lohmeyer et al. .
- 4,762,114 8/1988 Blankemeyer .
- 4,966,125 10/1990 Stephen et al. .
- 5,016,607 5/1991 Doolittle et al. .
- 5,036,832 8/1991 Schlosser et al. D7/334
- 5,165,385 11/1992 Doolittle et al. .

Primary Examiner—Ruth McInroy
Attorney, Agent, or Firm—Middleton & Reutlinger; David W. Carrithers

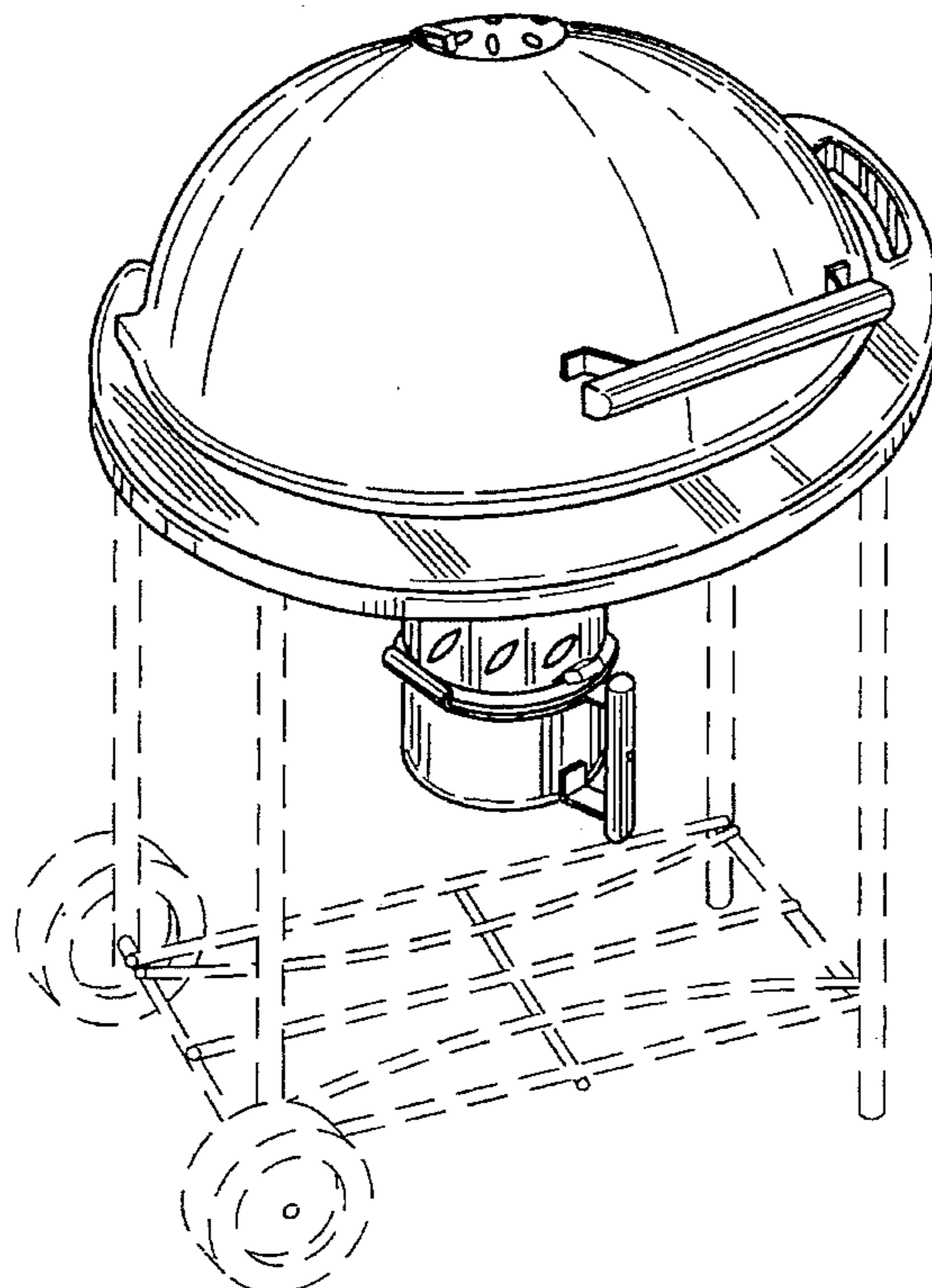
[57] **CLAIM**

The ornamental design for a combined barbeque grill and ring shelf, as shown and described.

DESCRIPTION

FIG. 1 is an isometric view of a combined barbeque grill and ring shelf showing our new design;
 FIG. 2 is a plan top view thereof;
 FIG. 3 is a front elevational view thereof;
 FIG. 4 is a rear elevational view thereof;
 FIG. 5 is a bottom plan view thereof;
 FIG. 6 is a right side view thereof;
 FIG. 7 is a left side view thereof; and,
 FIG. 8 is a right side elevational view thereof with the grill lid in an open position;
 The structure shown in broken lines in FIGS. 1-8 is shown for illustrative purposes only and forms no part of the claimed design.

1 Claim, 5 Drawing Sheets



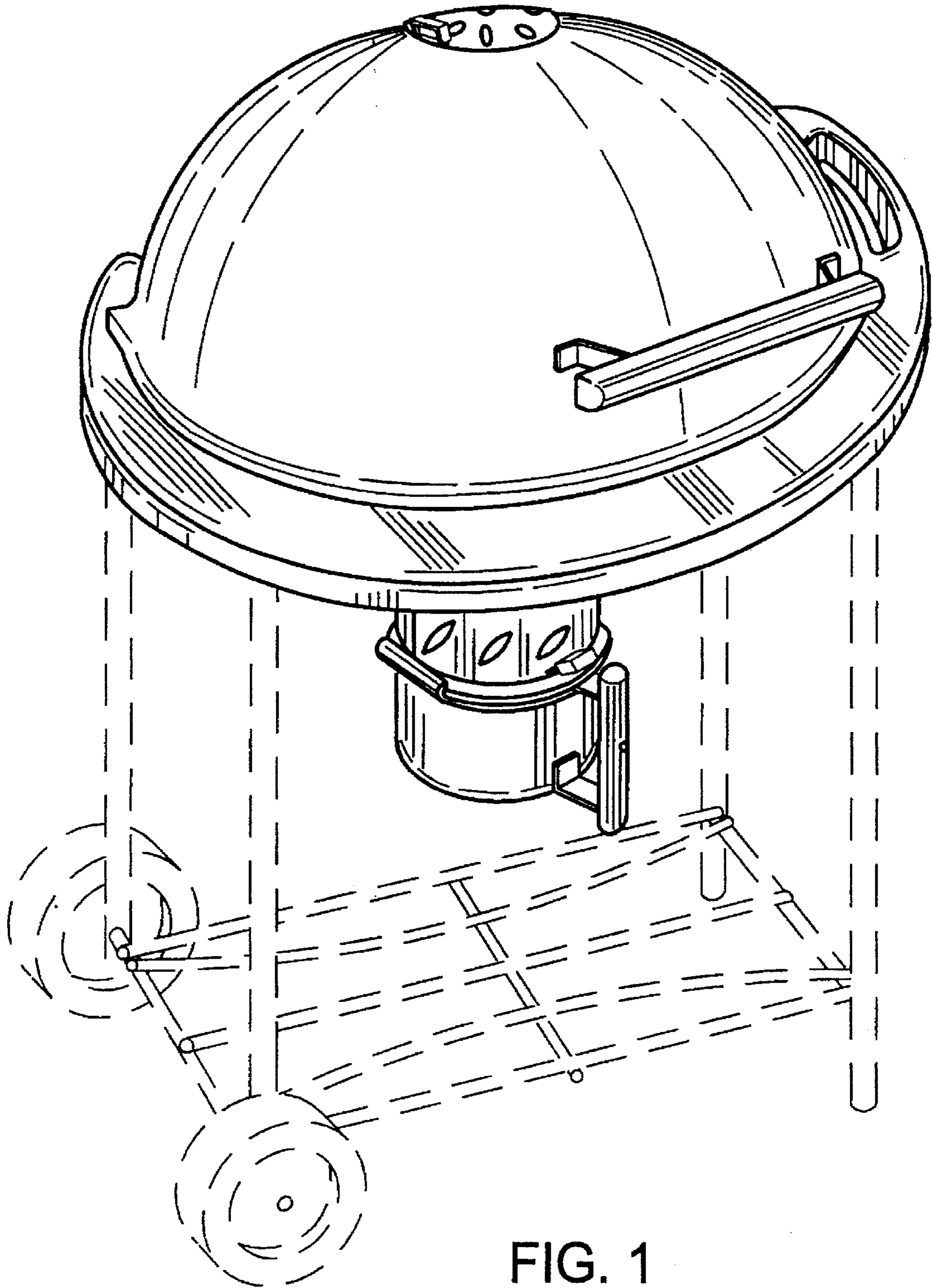


FIG. 1

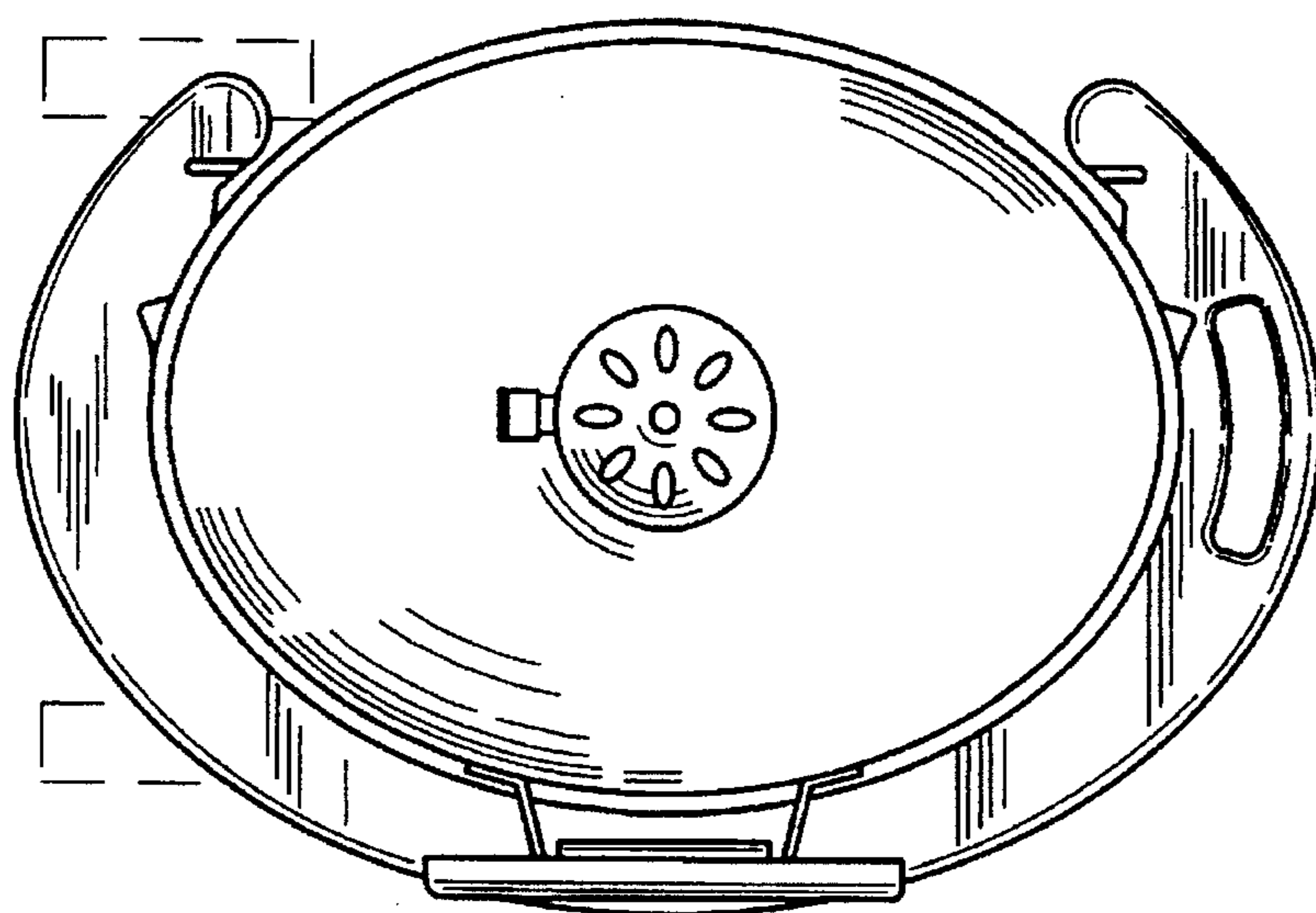


FIG. 2

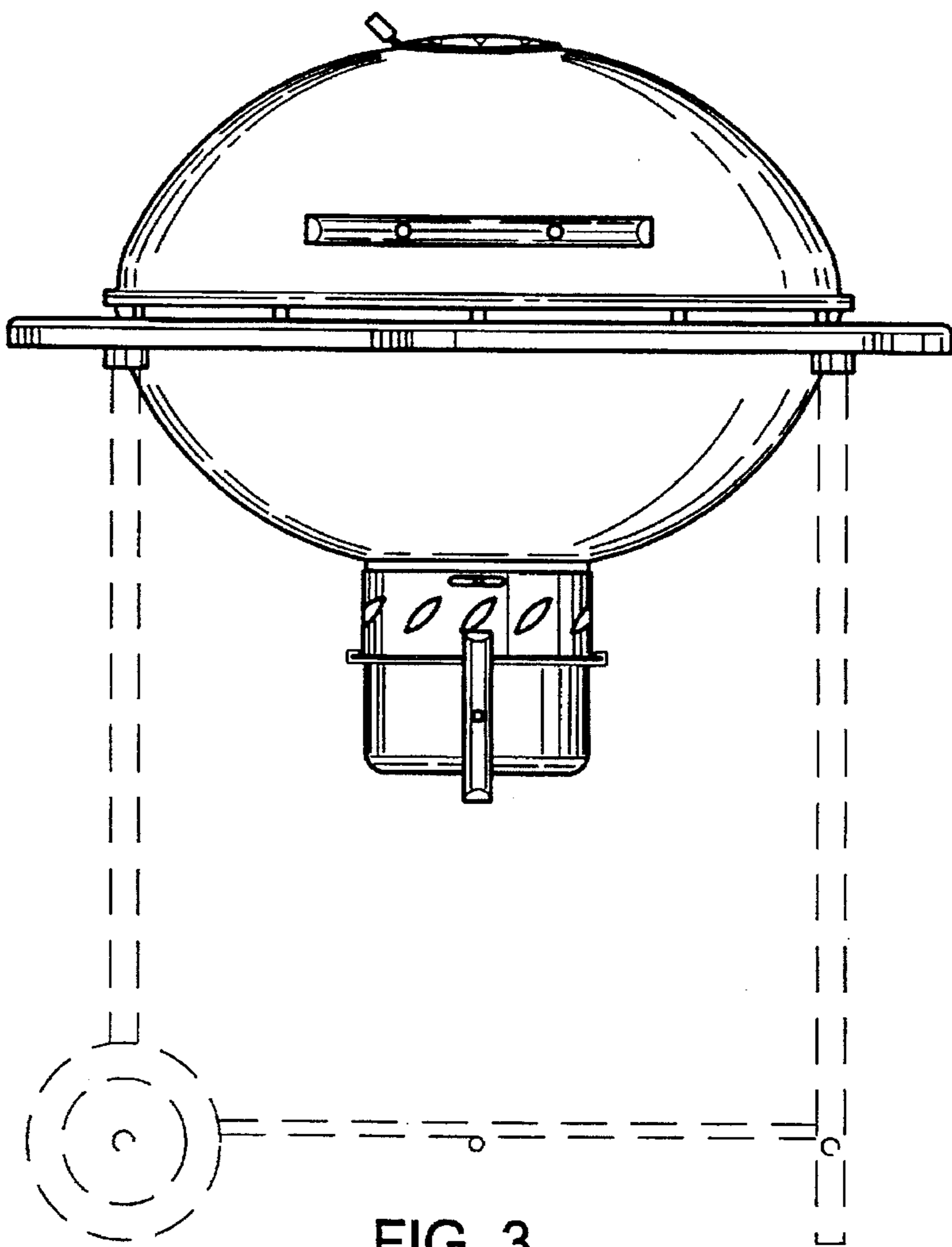


FIG. 3

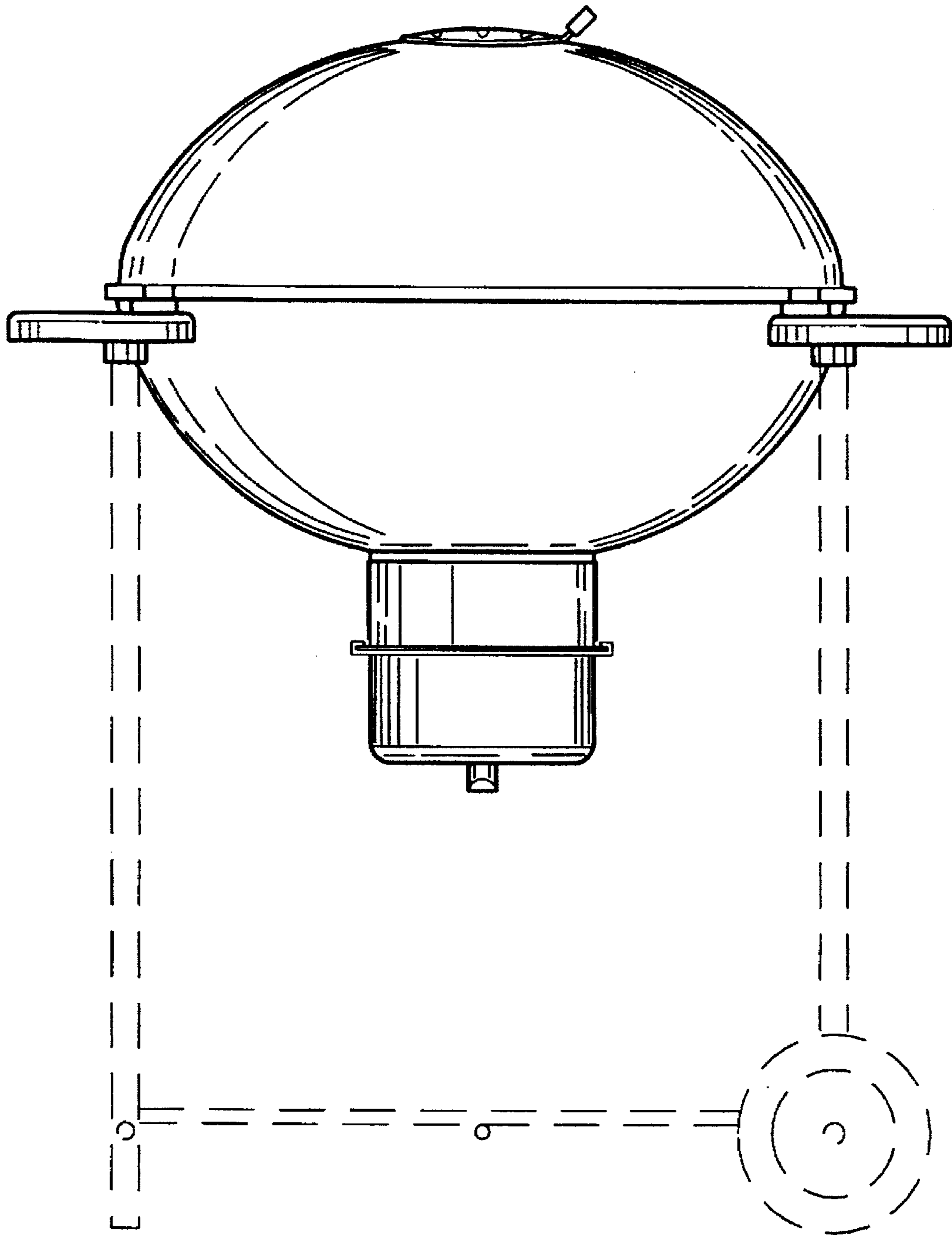


FIG. 4

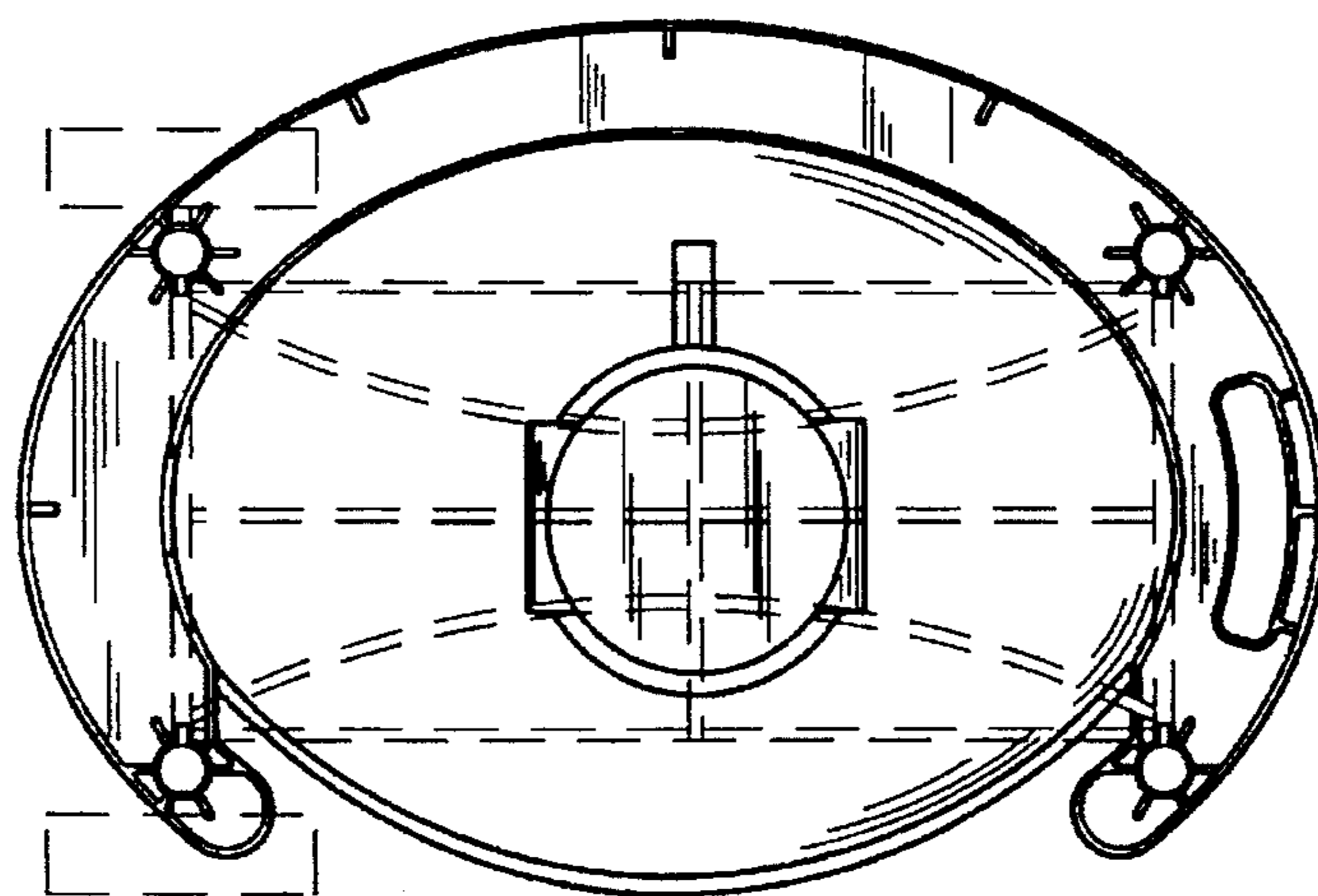


FIG. 5

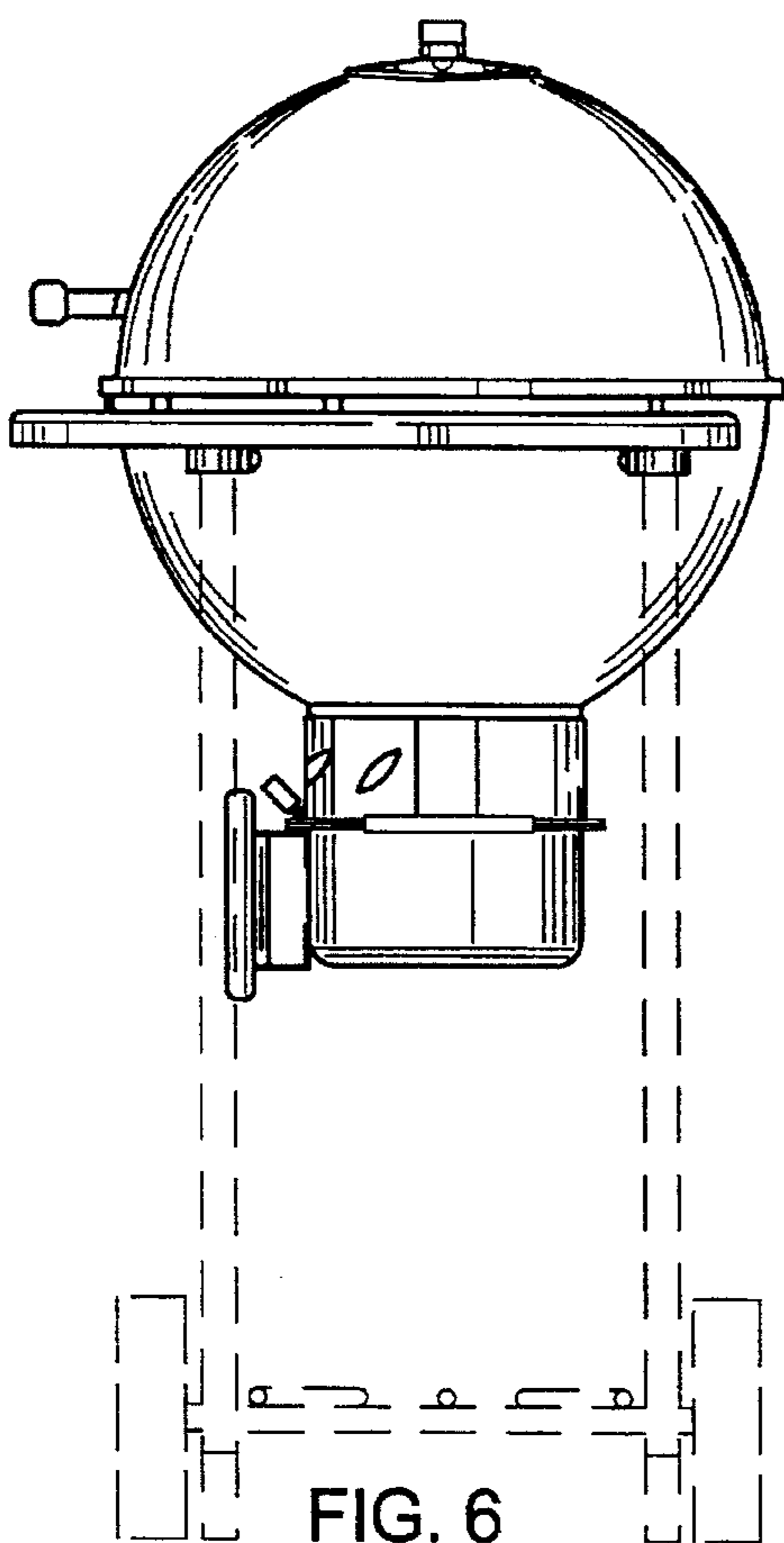


FIG. 6

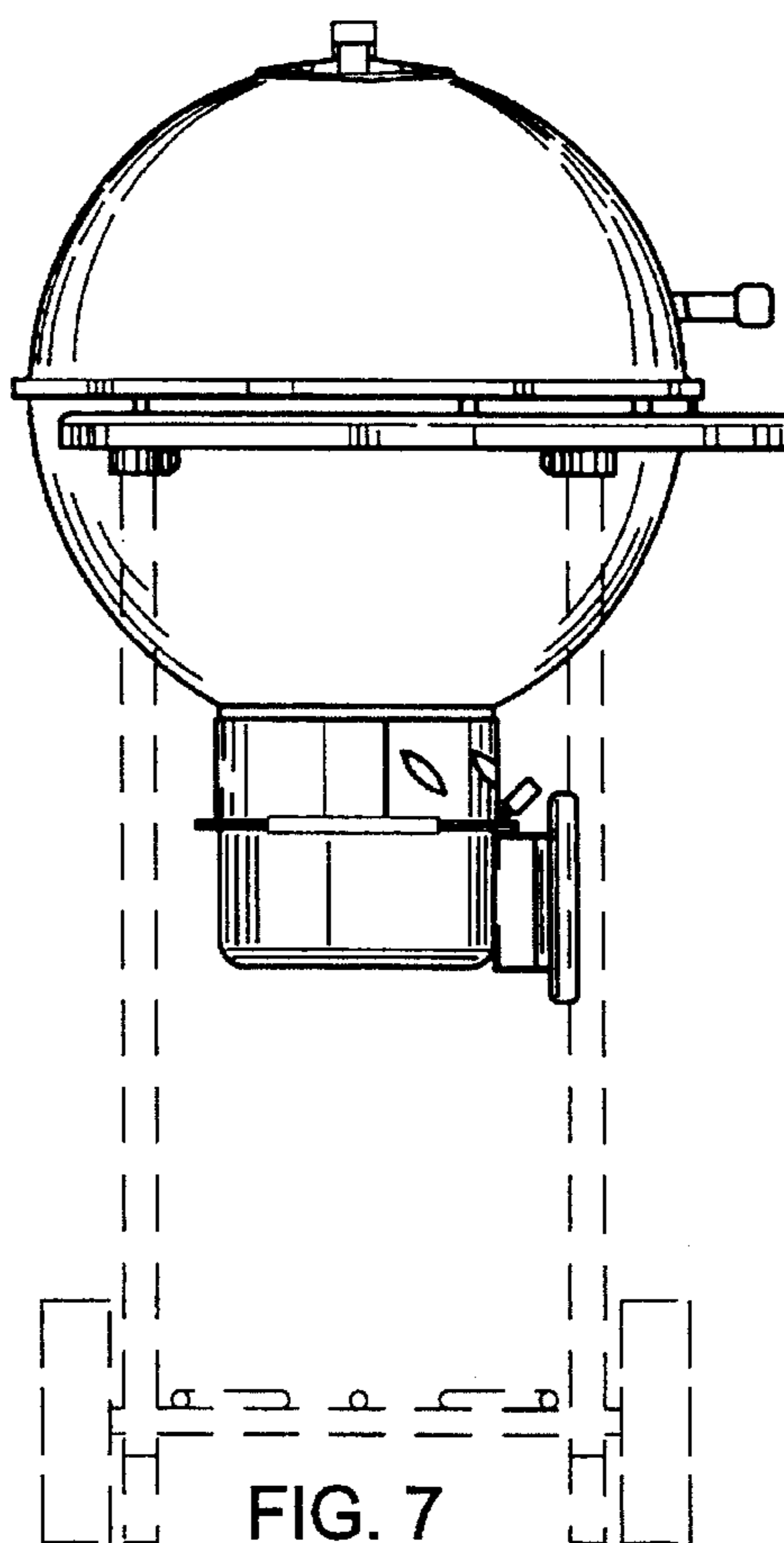


FIG. 7

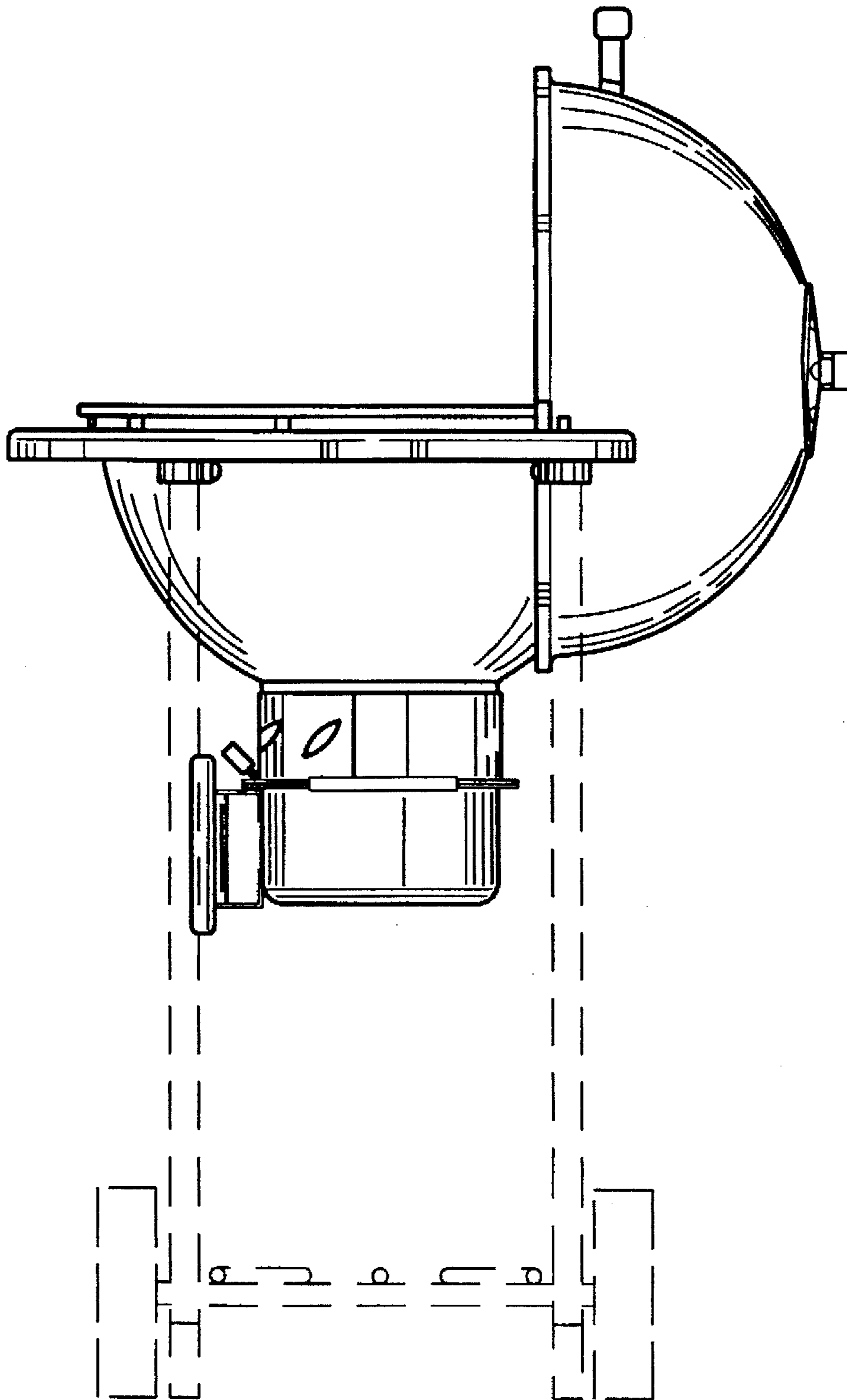


FIG. 8