



US00D379571S

United States Patent [19]
Jeppesen et al.

[11] **Patent Number:** **Des. 379,571**
[45] **Date of Patent:** ****Jun. 3, 1997**

[54] **SEAL**
[75] **Inventors:** **Hanne D. Jeppesen, Holte; Jakob Heiberg, Charlottenlund; Stig Lillelund, Gentofte, all of Denmark**
[73] **Assignee:** **Dart Industries Inc., Orlando, Fla.**
[**] **Term:** **14 Years**
[21] **Appl. No.:** **48,206**
[22] **Filed:** **Dec. 22, 1995**
[51] **LOC (6) Cl.** **09-02**
[52] **U.S. Cl.** **D7/392.1; D7/391; D9/434**
[58] **Field of Search** **D7/37, 391, 392.1, D7/538, 539, 540, 541, 542, 601, 602, 629; D9/434, 435, 454, 444, 443, 438, 447; 220/377, 306, 356; D8/34**

D. 336,589 6/1993 Schindler D7/539
D. 341,320 11/1993 Morin D9/454 X
2,661,678 12/1953 Freeman .
4,941,401 7/1990 Sarnoff et al. D7/539 X
4,981,229 1/1991 Lanham D9/438 X

OTHER PUBLICATIONS

Sinkstopper, Rubbermaid 1969 Housewares Catalog p. 7.
Primary Examiner—M. N. Pandozzi
Attorney, Agent, or Firm—John A. Doninger

[57] **CLAIM**

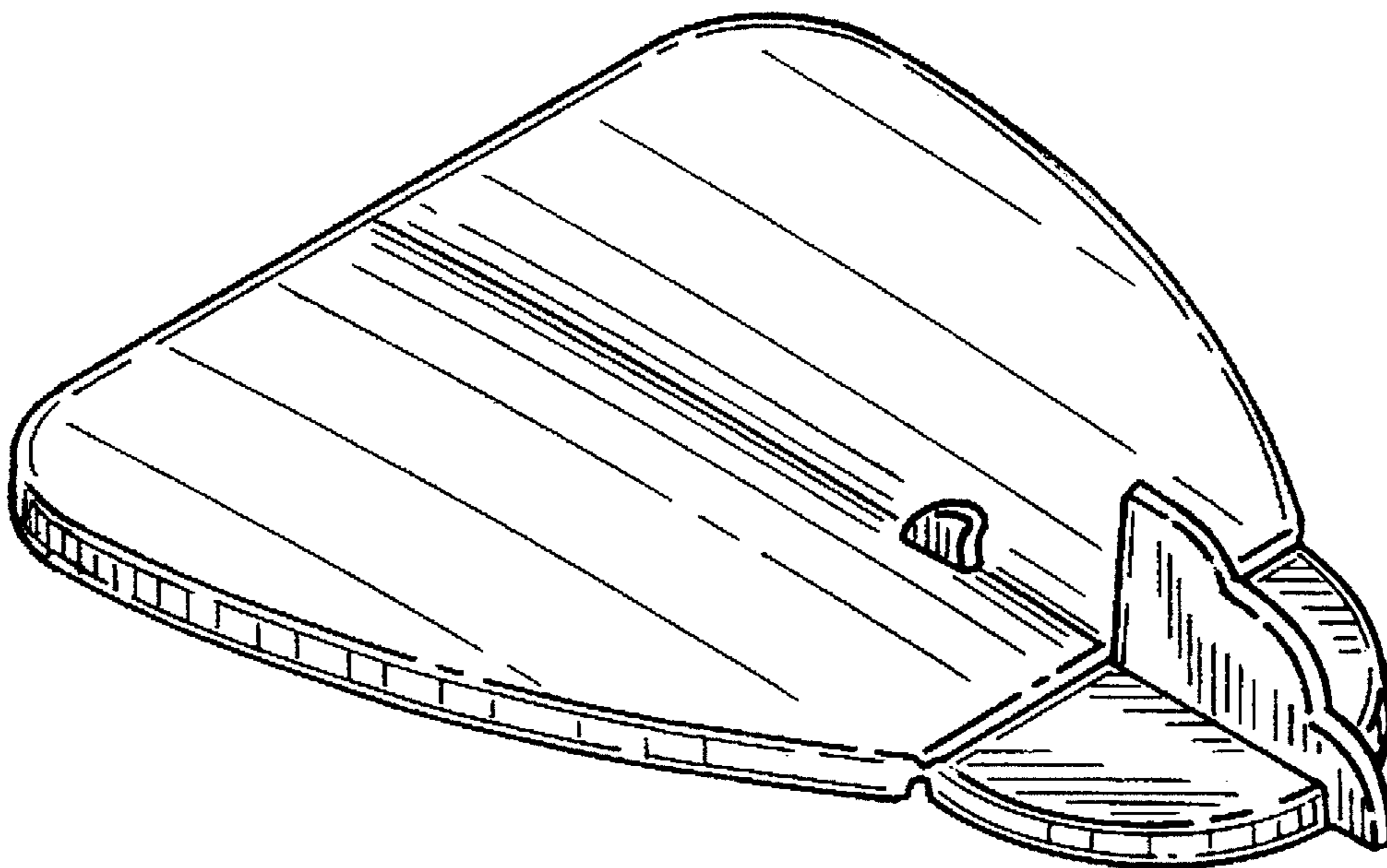
The ornamental design for a seal, as shown and described.

DESCRIPTION

FIG. 1 is a top, front and side perspective view of a seal showing our new design;
FIG. 2 is a top plan view thereof;
FIG. 3 is a bottom plan view thereof;
FIG. 4 is a front elevation view thereof;
FIG. 5 is a rear elevation view thereof;
FIG. 6 is a left side elevation view thereof;
FIG. 7 is a right side elevation view thereof;
FIG. 8 is a cross-section thereof taken on line 8—8 in FIG. 2; and,
FIG. 9 is a cross-section thereof taken on line 9—9 in FIG. 2.

[56] **References Cited**
U.S. PATENT DOCUMENTS
D. 76,719 10/1928 Theobald .
D. 217,903 6/1970 Perenski D9/447
D. 249,984 10/1978 Parker D8/34 X
D. 287,806 1/1987 Borin D7/317
D. 292,366 10/1987 Kuether et al. D7/391
D. 306,700 3/1990 Gallo D9/434
D. 330,485 10/1992 Daenen et al. .

1 Claim, 3 Drawing Sheets



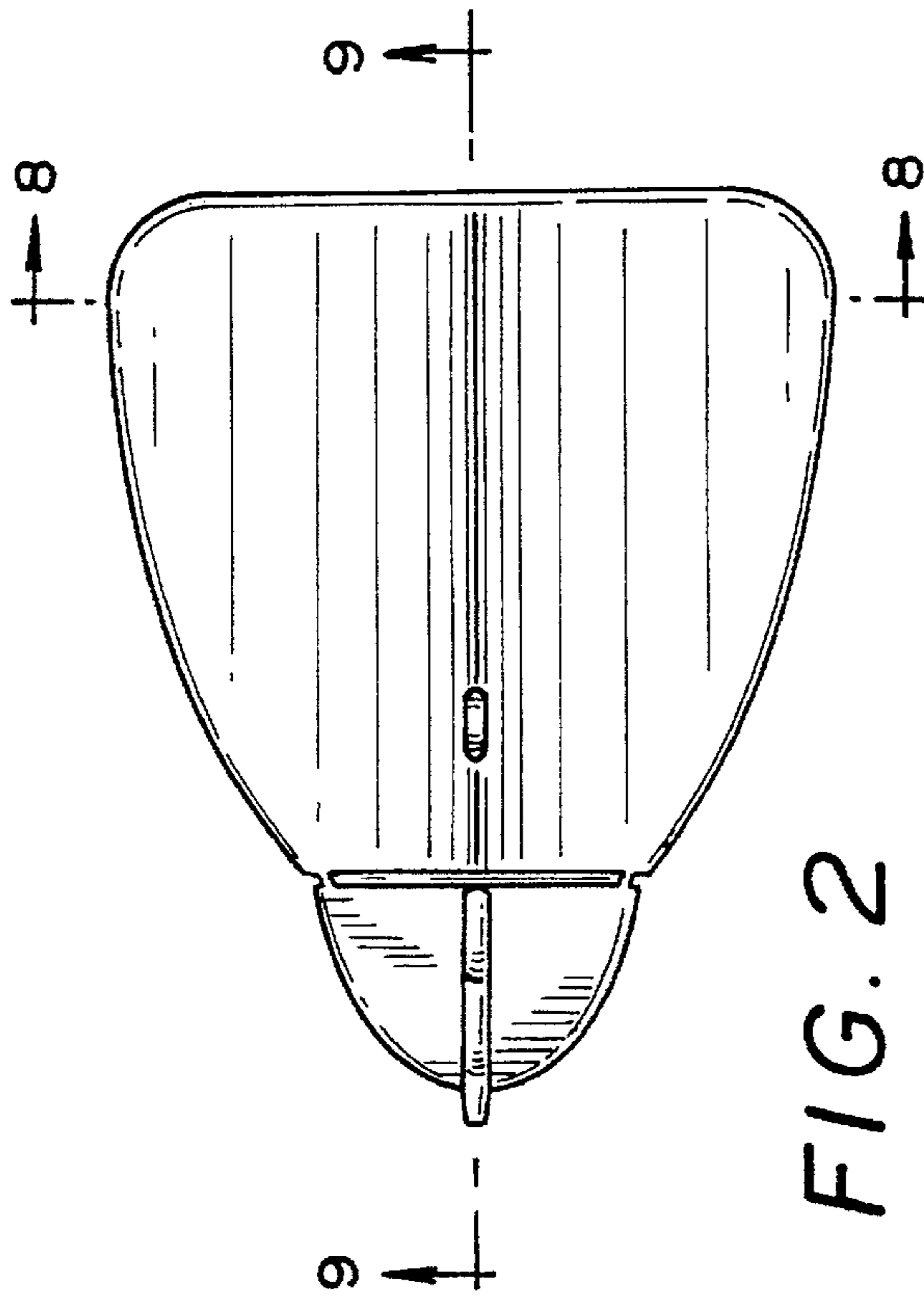


FIG. 2

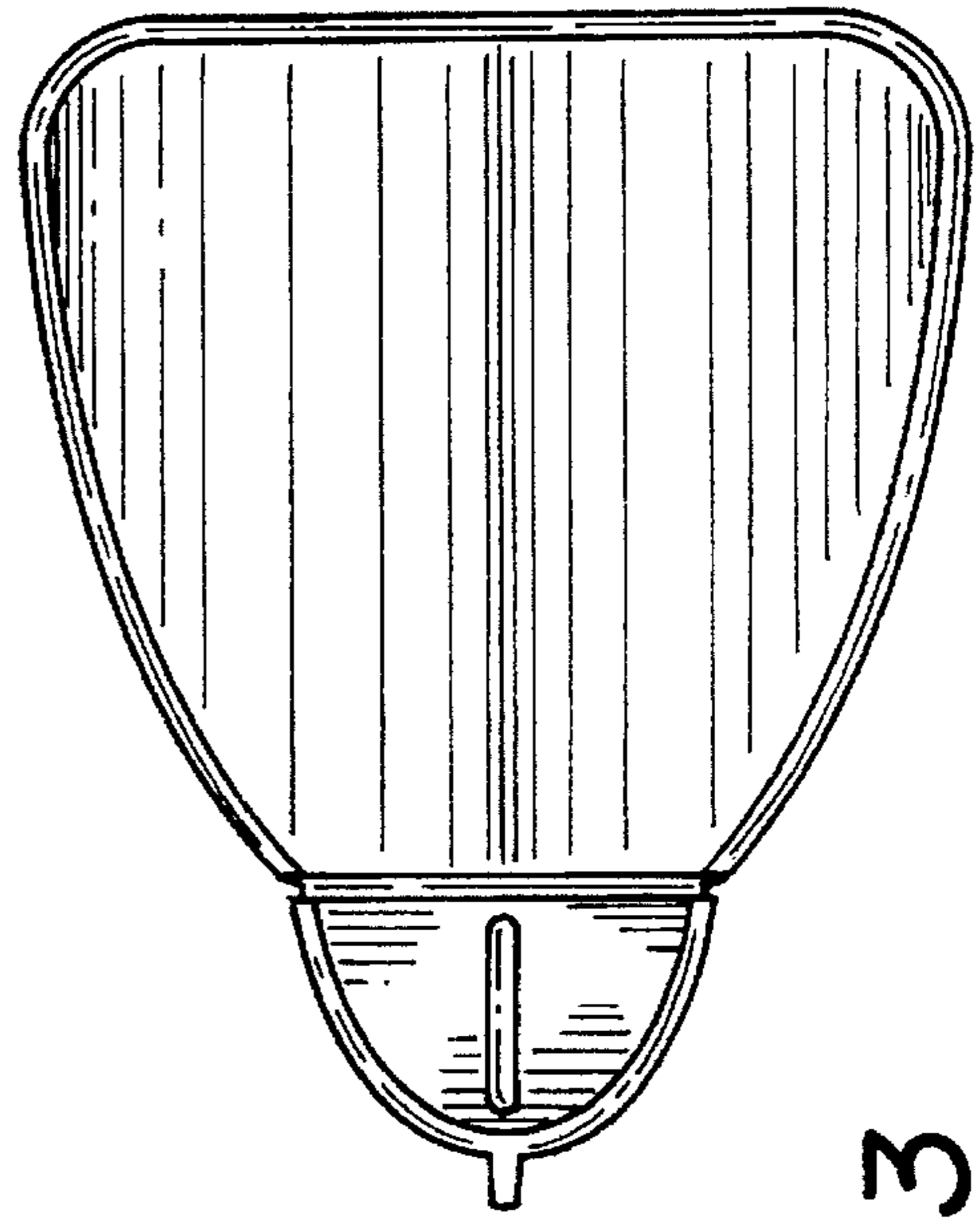


FIG. 3

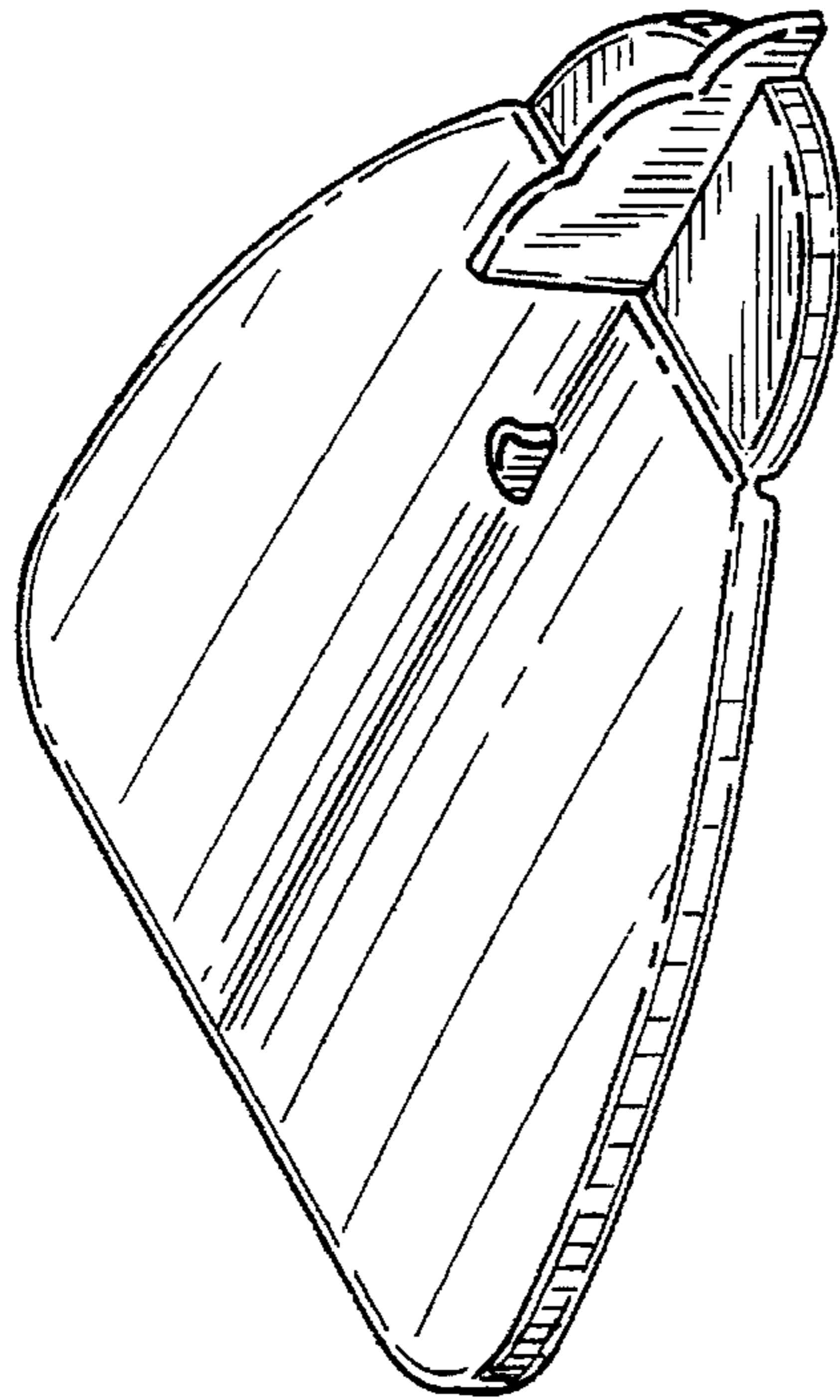


FIG. 1

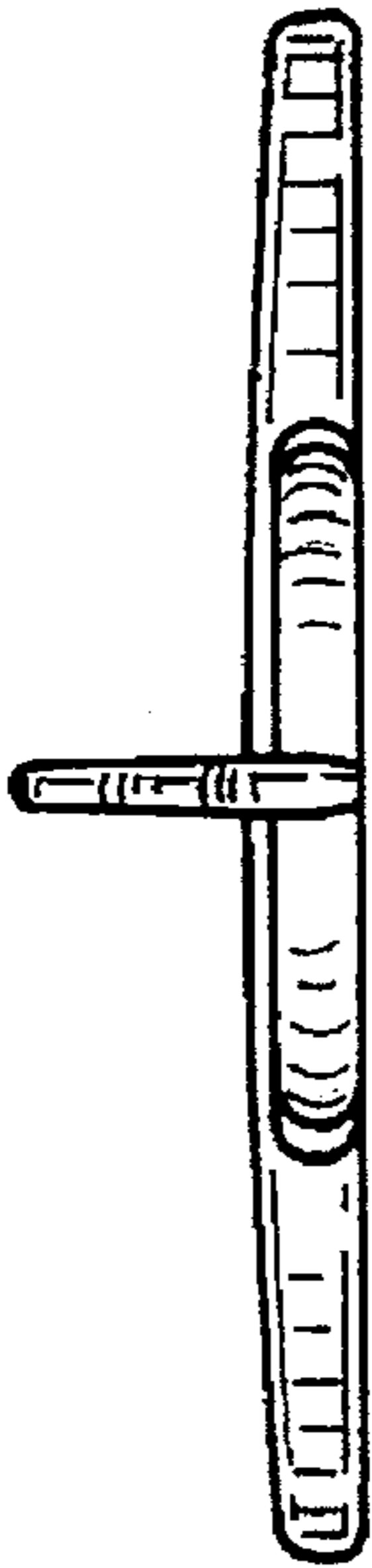


FIG. 4

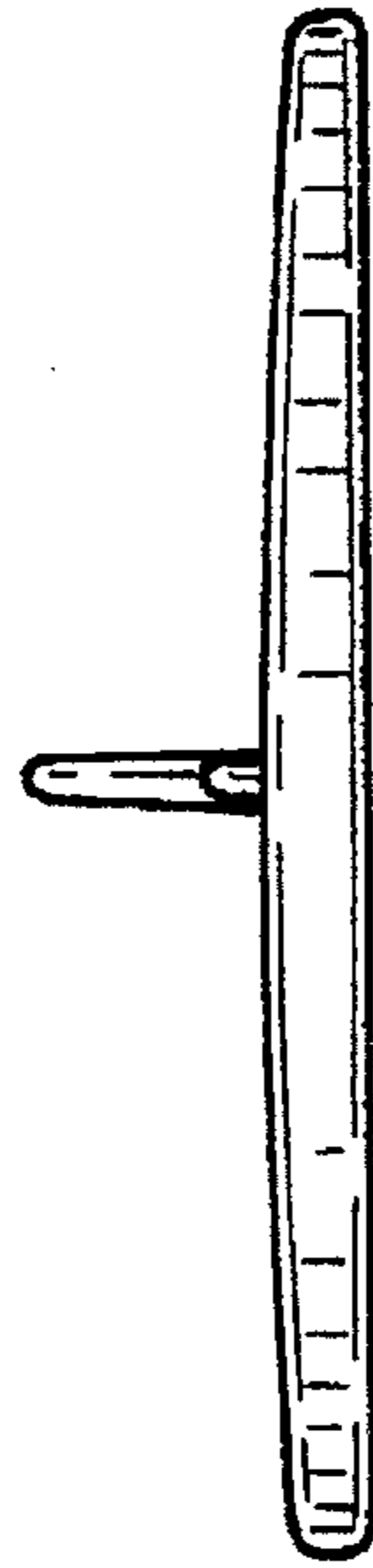


FIG. 5

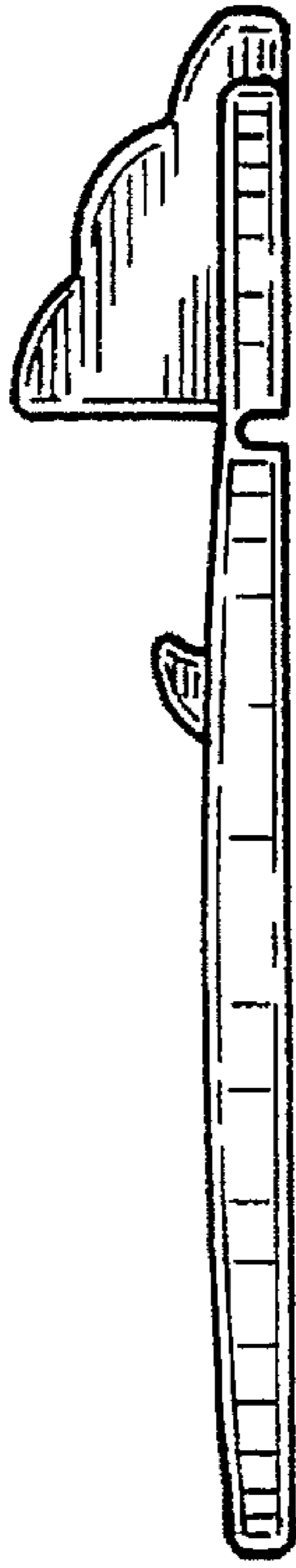


FIG. 6

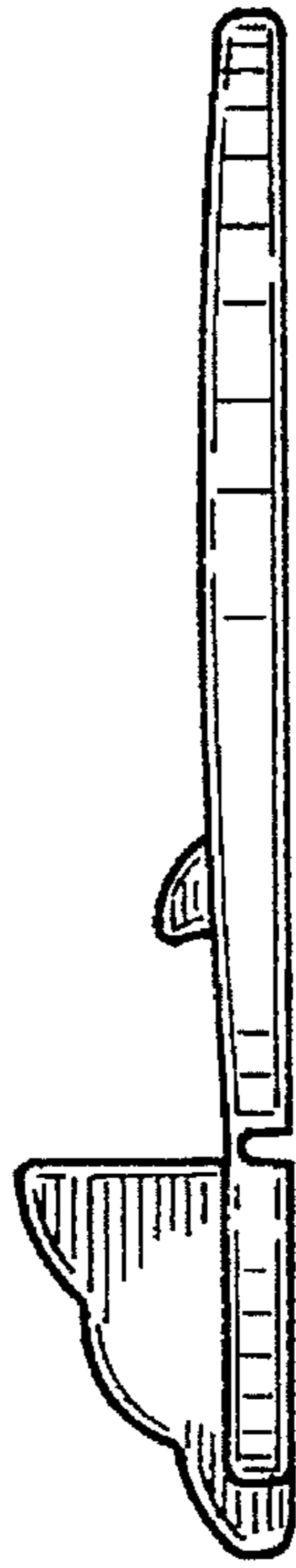


FIG. 7

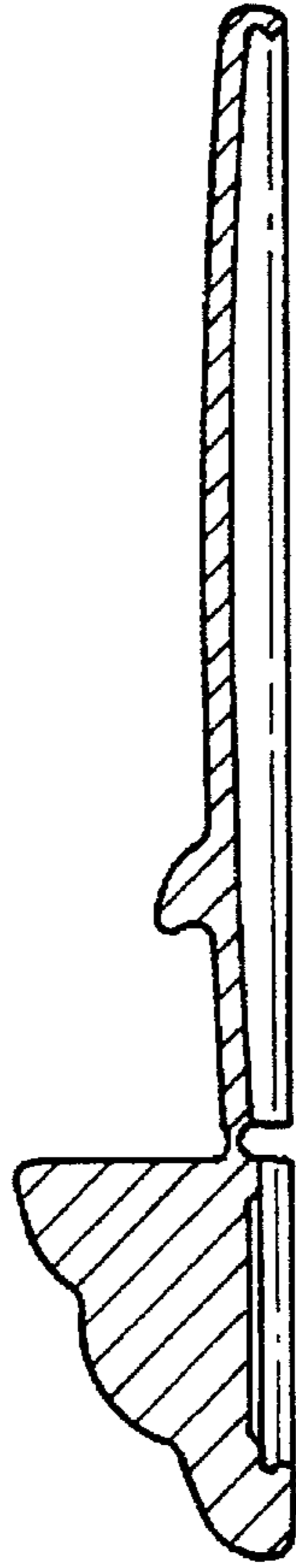


FIG. 9



FIG. 8