



US00D379569S

# United States Patent [19]

[11] Patent Number: **Des. 379,569**

Strickland et al.

[45] Date of Patent: **\*\*Jun. 3, 1997**

[54] RECESSED DISPENSER ASSEMBLY

[75] Inventors: **Mark D. Strickland**, Canton; **Terry L. Petty**, Roswell, both of Ga.; **Kenneth H. LaCount**, Pulaski, Wis.

[73] Assignee: **Kimberly-Clark Corporation**, Neenah, Wis.

[\*\*] Term: **14 Years**

[21] Appl. No.: **47,304**

[22] Filed: **Nov. 29, 1995**

[51] LOC (6) Cl. .... **07-07**

[52] U.S. Cl. .... **D6/518**

[58] Field of Search ..... D6/517-518, 522-523; 221/33, 45, 47-48, 55, 252; 206/428, 554, 812, 820, 824

[56] **References Cited**

**U.S. PATENT DOCUMENTS**

D. 254,585	4/1980	LeClaire, Jr. et al. ....	D6/130
D. 312,368	11/1990	Andriash .....	D6/518
D. 332,193	1/1993	Petterson et al. ....	D6/518
D. 332,889	2/1993	Hines .....	D6/518

D. 357,938	5/1995	Wolff .....	D6/518 X
2,433,587	12/1947	Wentworth .....	206/57
2,564,997	8/1951	Rome .....	206/57
2,566,016	8/1951	Cochran .....	206/57
3,145,840	8/1964	Wright .....	206/57
3,221,928	12/1965	Horn .....	221/34
4,706,844	11/1987	Omdoll et al. ....	221/45 X

*Primary Examiner*—Brian N. Vinson  
*Attorney, Agent, or Firm*—Karl V. Sidor

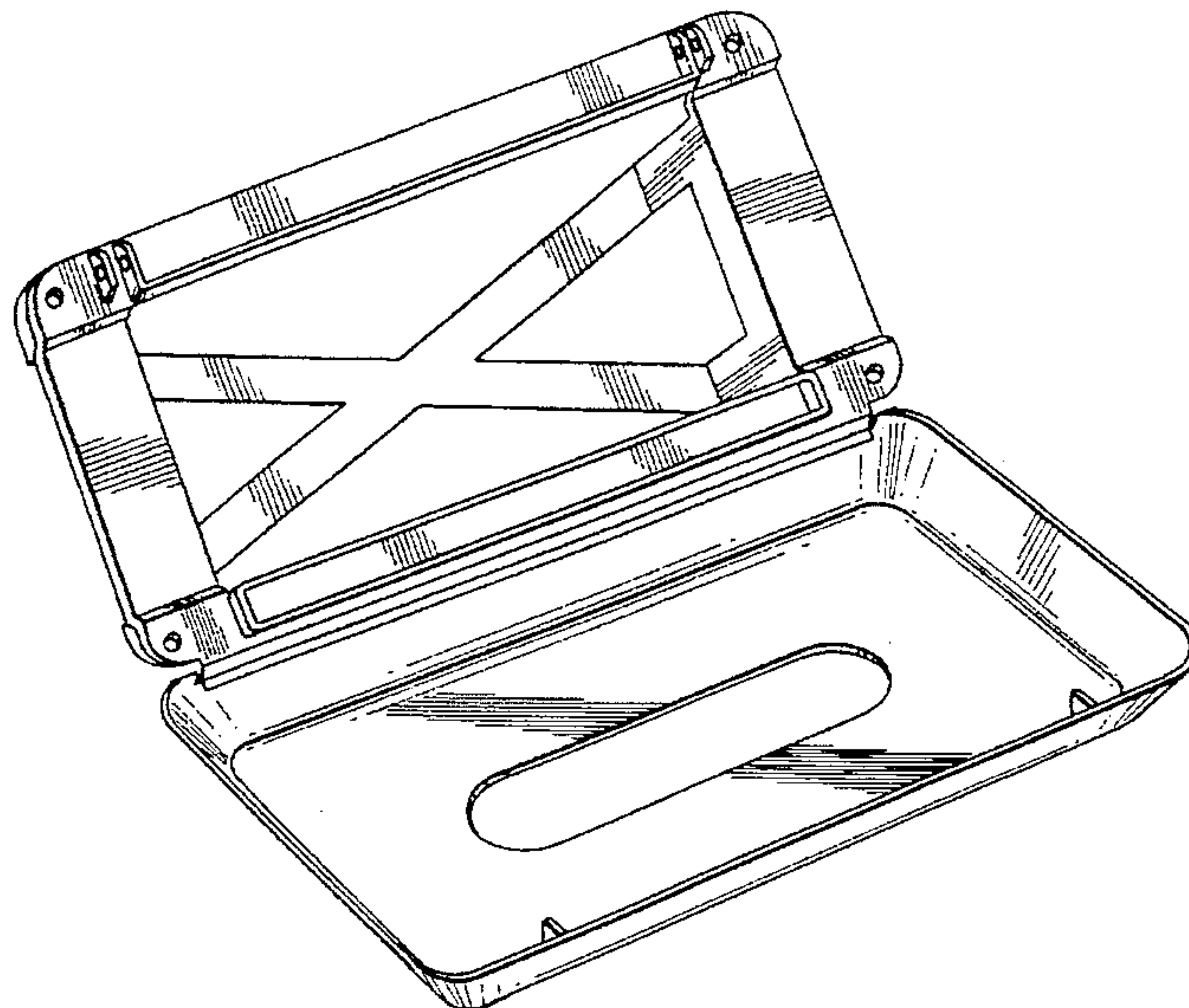
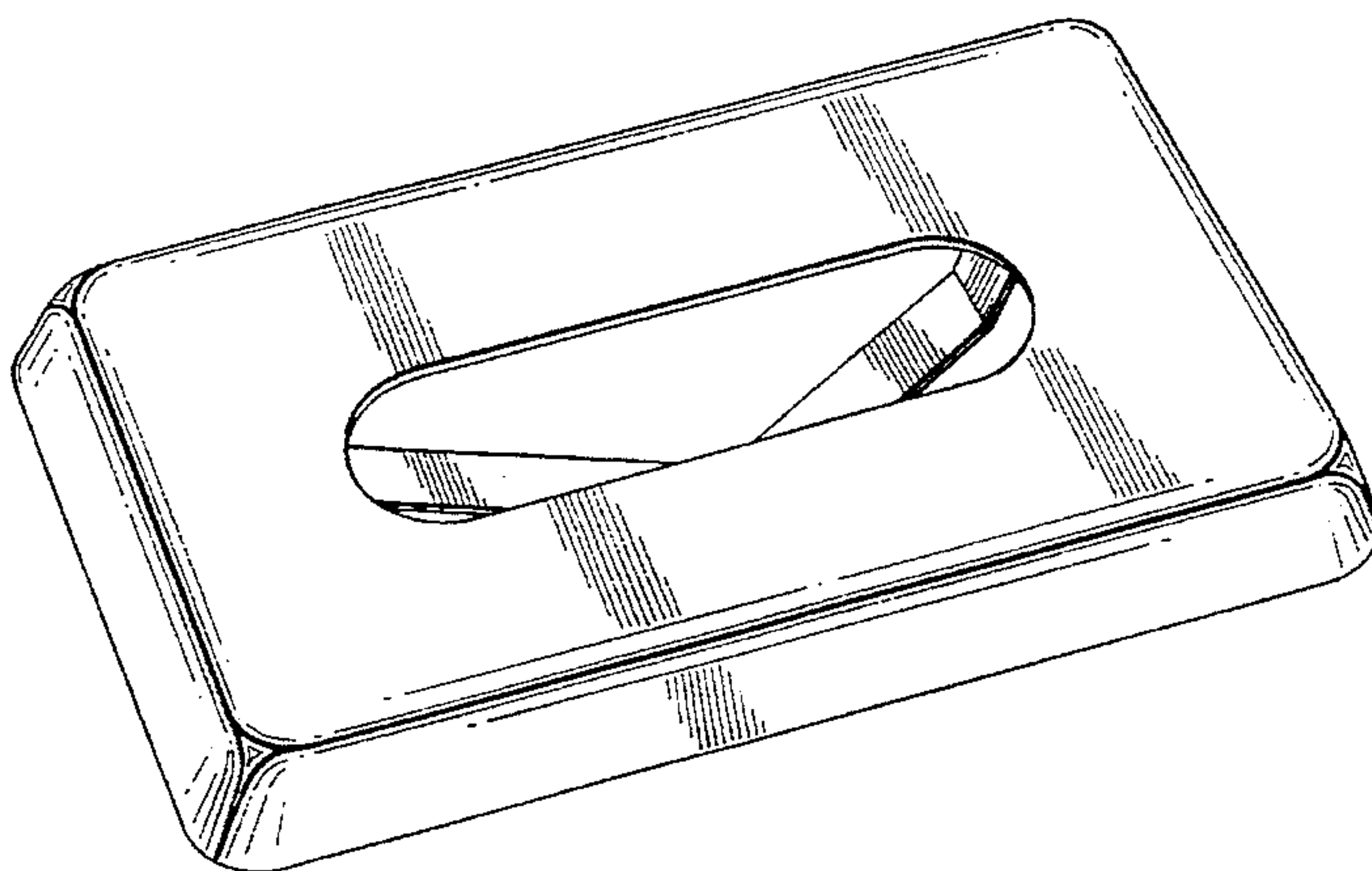
[57] **CLAIM**

The ornamental design for a recessed dispenser assembly, as shown.

**DESCRIPTION**

FIG. 1 is a perspective view of a recessed dispenser assembly showing the new design with the dispenser cover closed; FIG. 2 is a perspective view of a recessed dispenser assembly showing the new design with the dispenser cover open; FIG. 3 is a front plan view thereof; FIG. 4 is a rear plan view thereof; FIG. 5 is a top plan view thereof; FIG. 6 is a bottom plan view thereof; FIG. 7 is a left side view thereof; and, FIG. 8 is a right side view thereof.

**1 Claim, 7 Drawing Sheets**



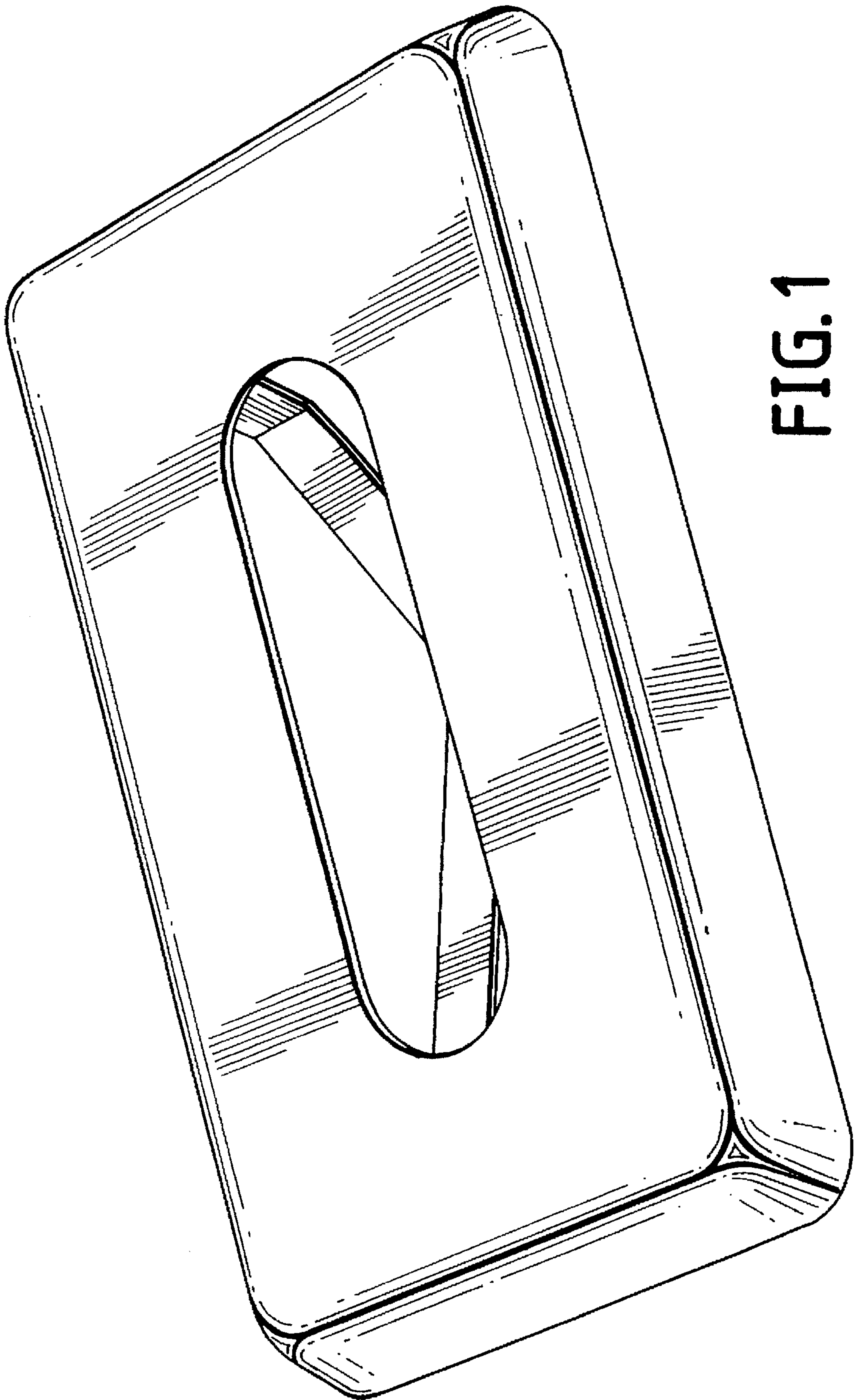


FIG. 1



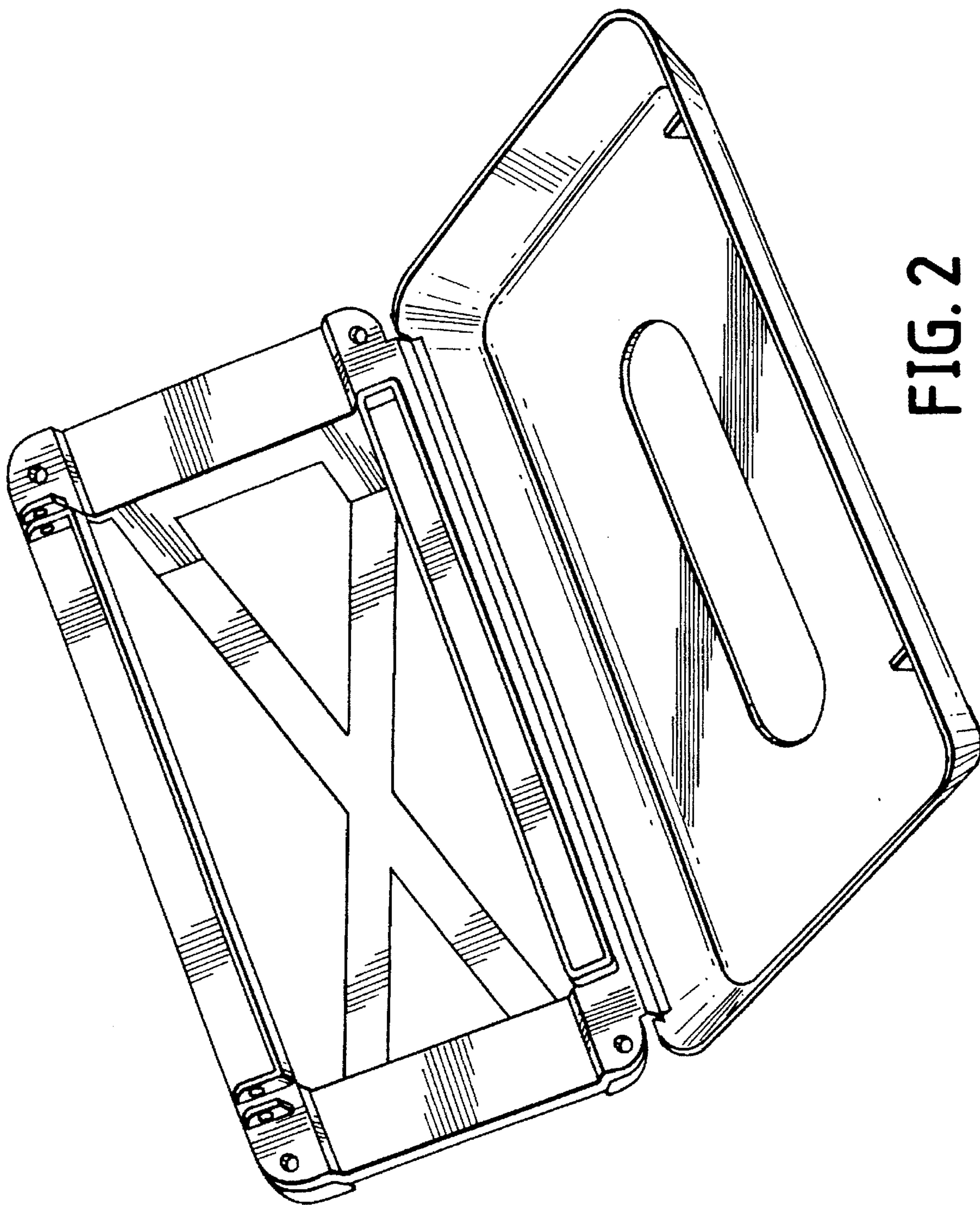


FIG. 2

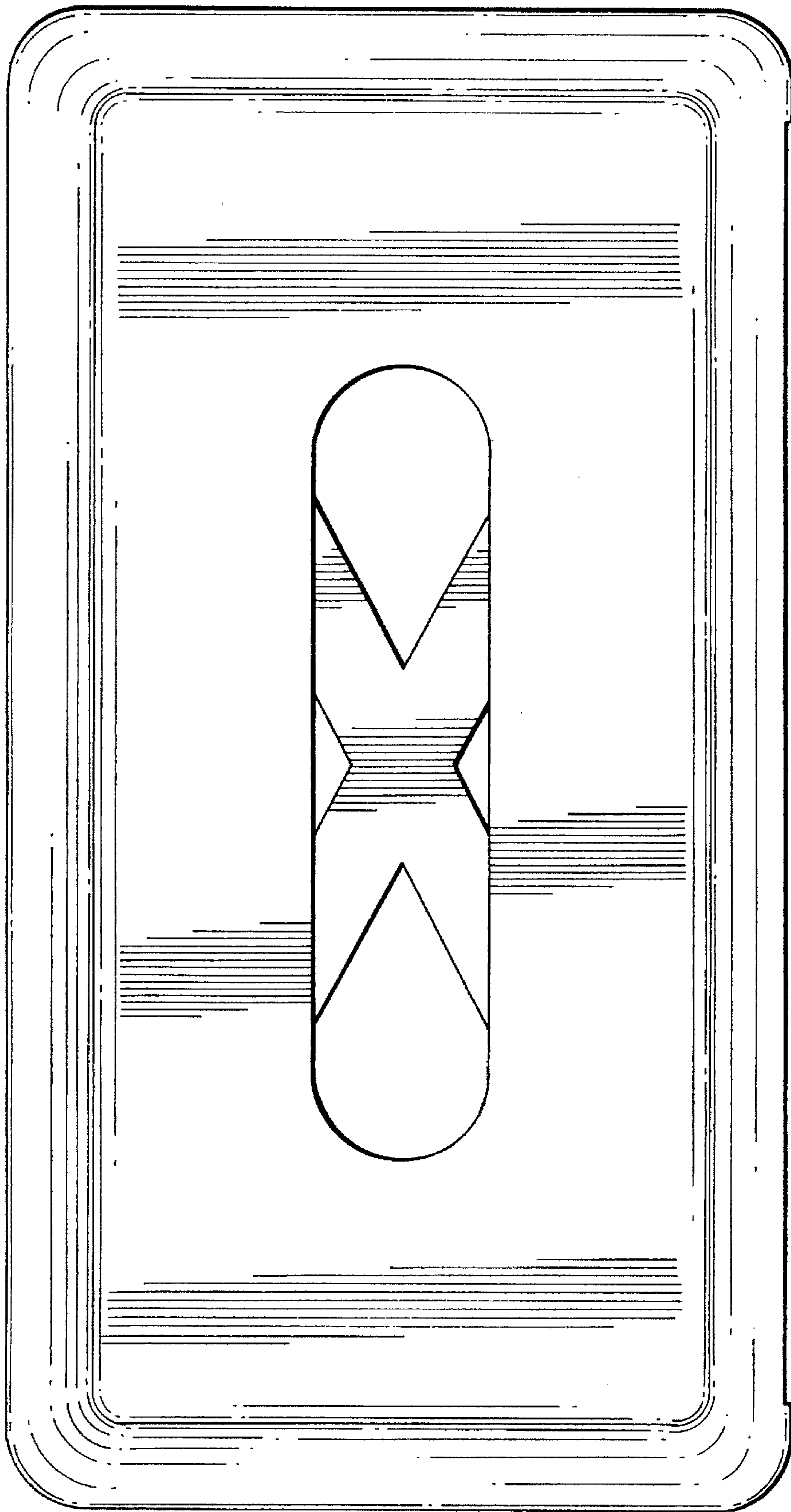


FIG. 3

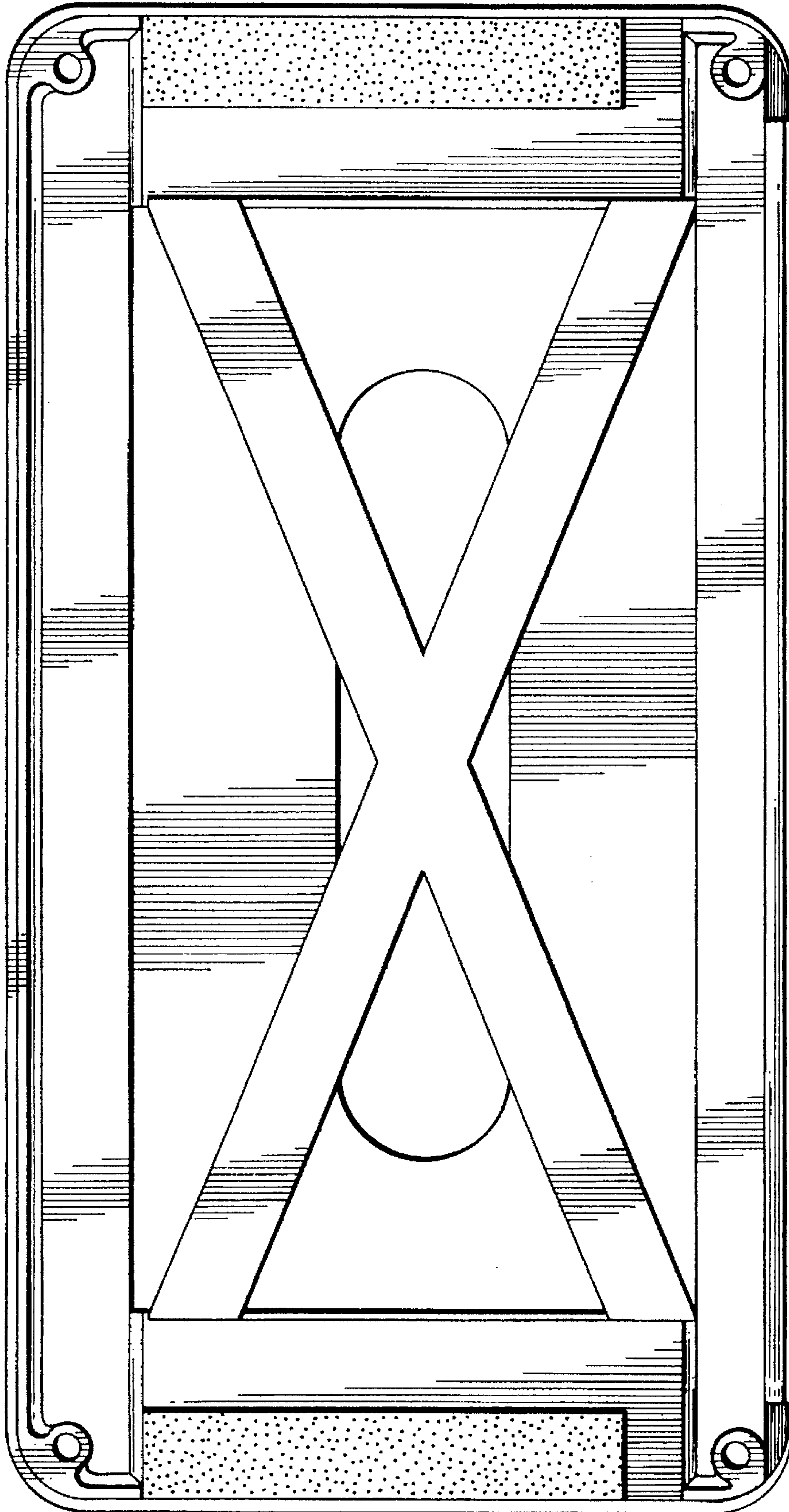


FIG. 4

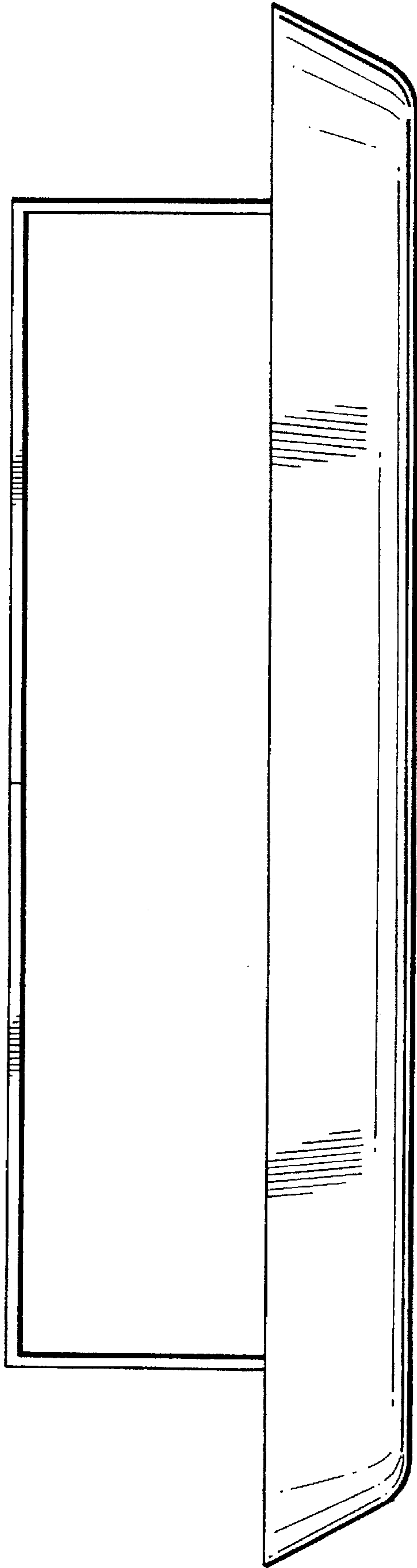


FIG. 5

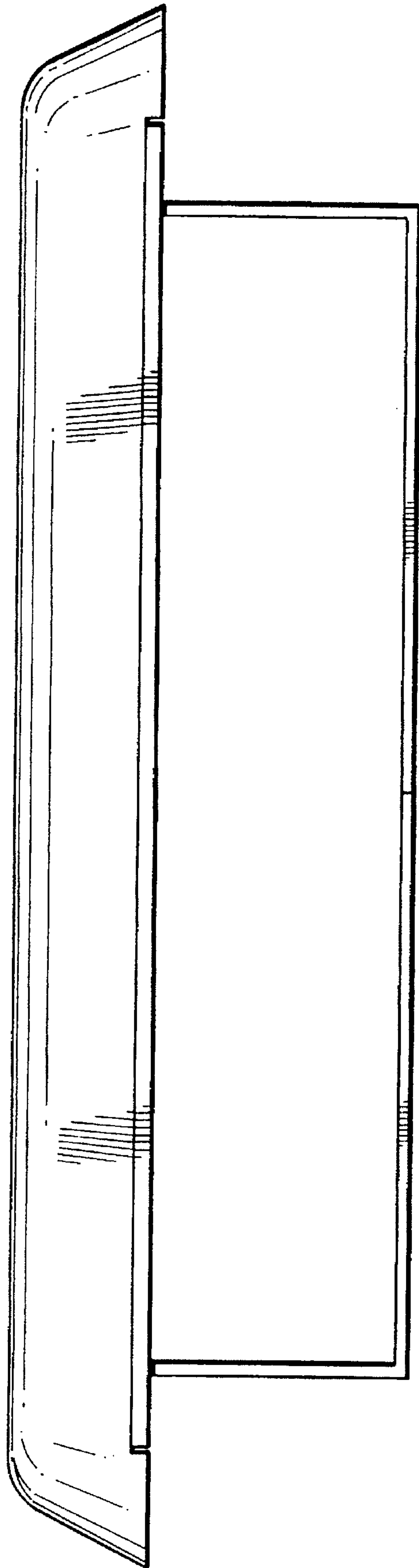


FIG. 6



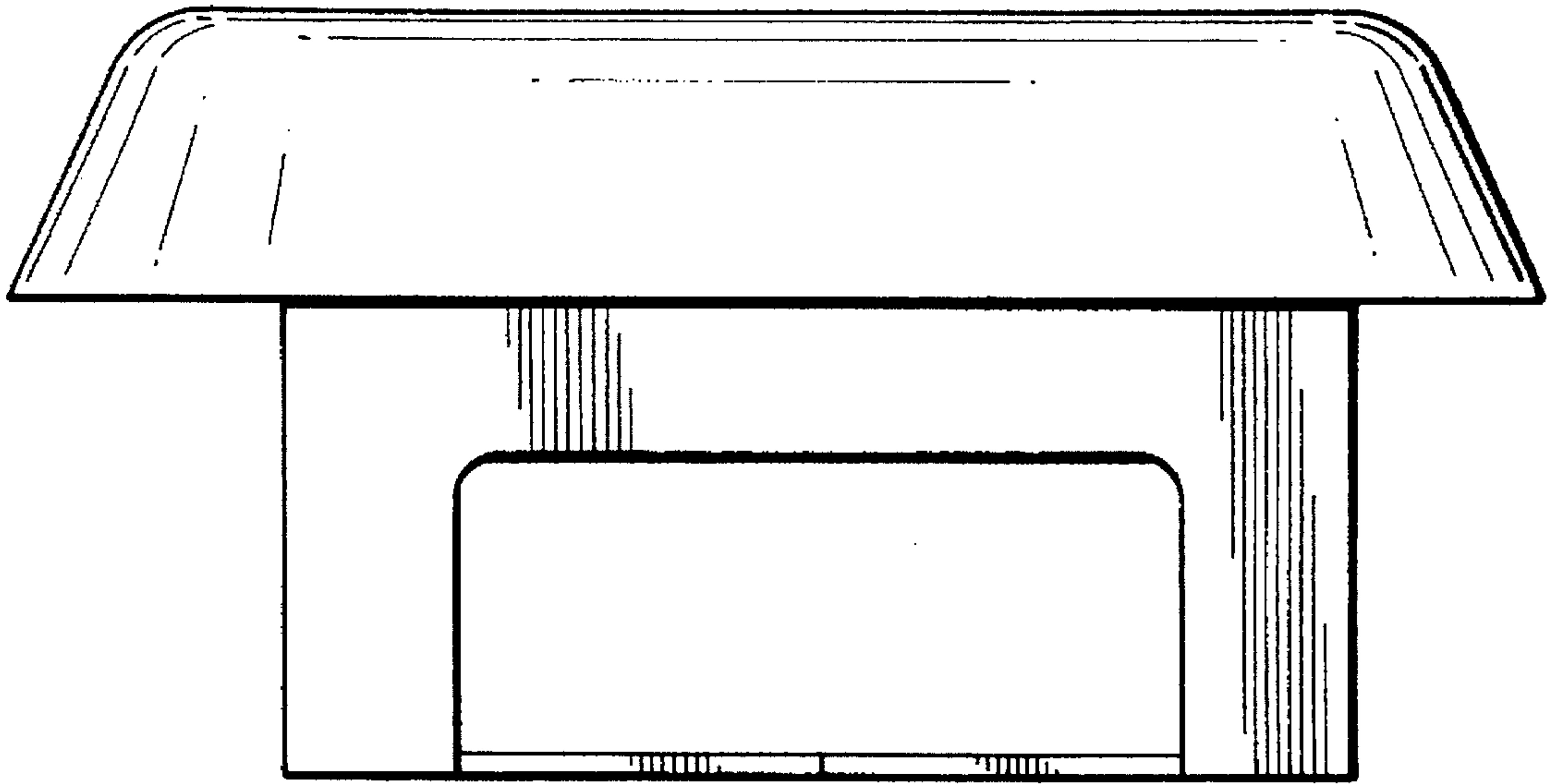


FIG. 7

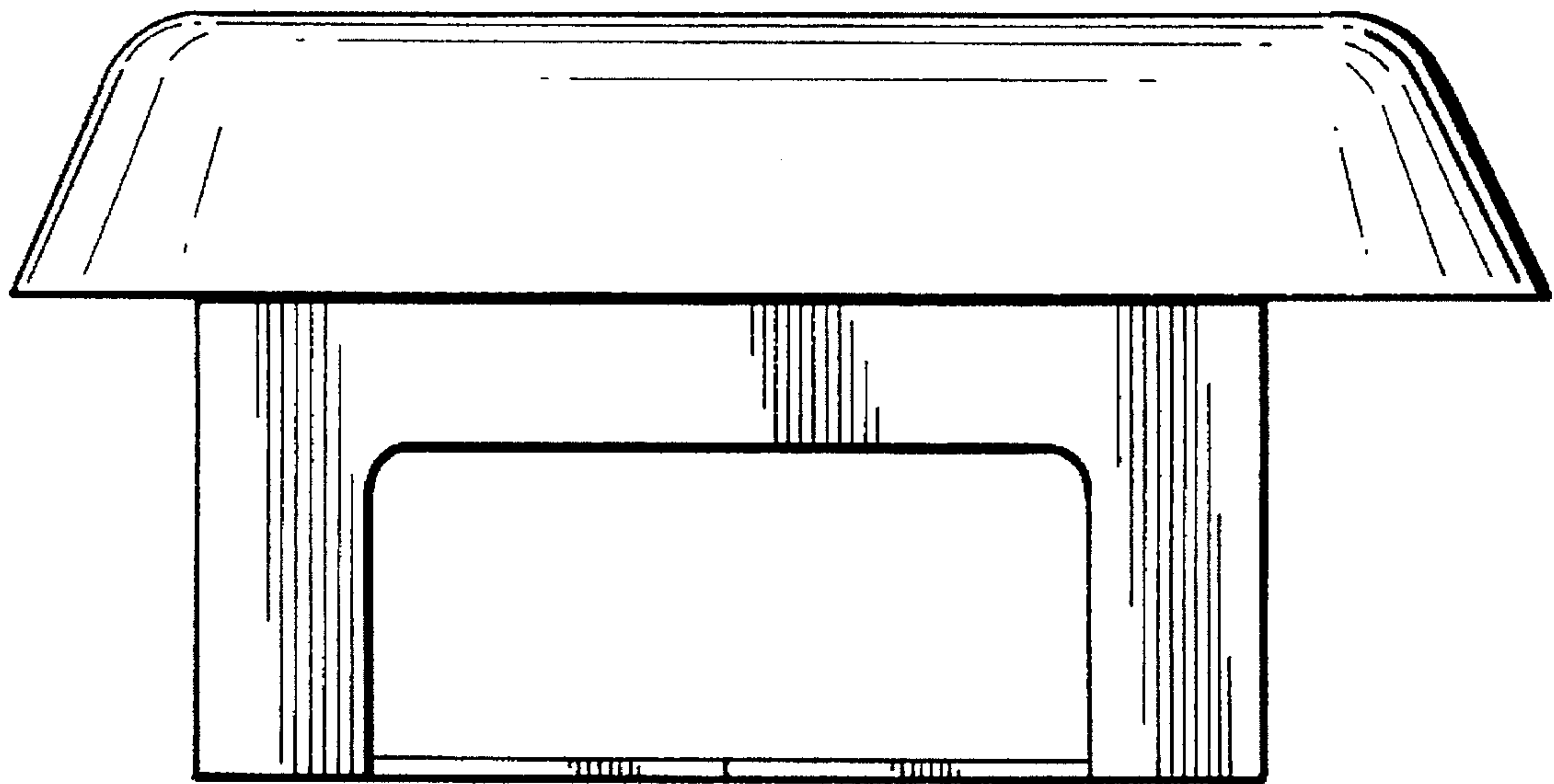


FIG. 8