



US00D379566S

United States Patent [19]

[11] Patent Number: **Des. 379,566**

Ewens et al.

[45] Date of Patent: ****Jun. 3, 1997**

[54] **FILE CABINET**

[75] Inventors: **William Ewens, Willowdale; Barry Carroll, Mississauga, both of Canada**

[73] Assignee: **Global Upholstery Company, Downsview, Canada**

[**] Term: **14 Years**

[21] Appl. No.: **46,460**

[22] Filed: **Nov. 15, 1995**

[51] LOC (6) Cl. **06-04**

[52] U.S. Cl. **D6/445**

[58] Field of Search D6/432-448; D34/17, D34/19, 20, 21; 312/114, 250, 204; 108/50, 59; 280/47.35, 79.3, 47.371, 47.34

[56] **References Cited**

U.S. PATENT DOCUMENTS

D. 211,716	7/1968	Roloson	D34/19
D. 213,570	3/1969	Selinger et al.	D34/20
D. 220,095	3/1971	Salsginer	D34/20
D. 232,166	7/1974	Salsginer	D34/19
D. 257,140	9/1980	Groseclose	D34/20
D. 265,434	7/1982	Phillips	D34/19 X

D. 271,733	12/1983	Daventry	D6/436
D. 295,470	5/1988	Uredot-Neuhoff	D6/440
D. 300,487	4/1989	Dyer	D6/446
D. 329,251	9/1992	Olswold et al.	D34/19 X
D. 357,781	4/1995	Crinion	D34/19

Primary Examiner—Carmen H. Vales-Lado
Attorney, Agent, or Firm—Bereskin & Parr; Philip Mendes da Costa

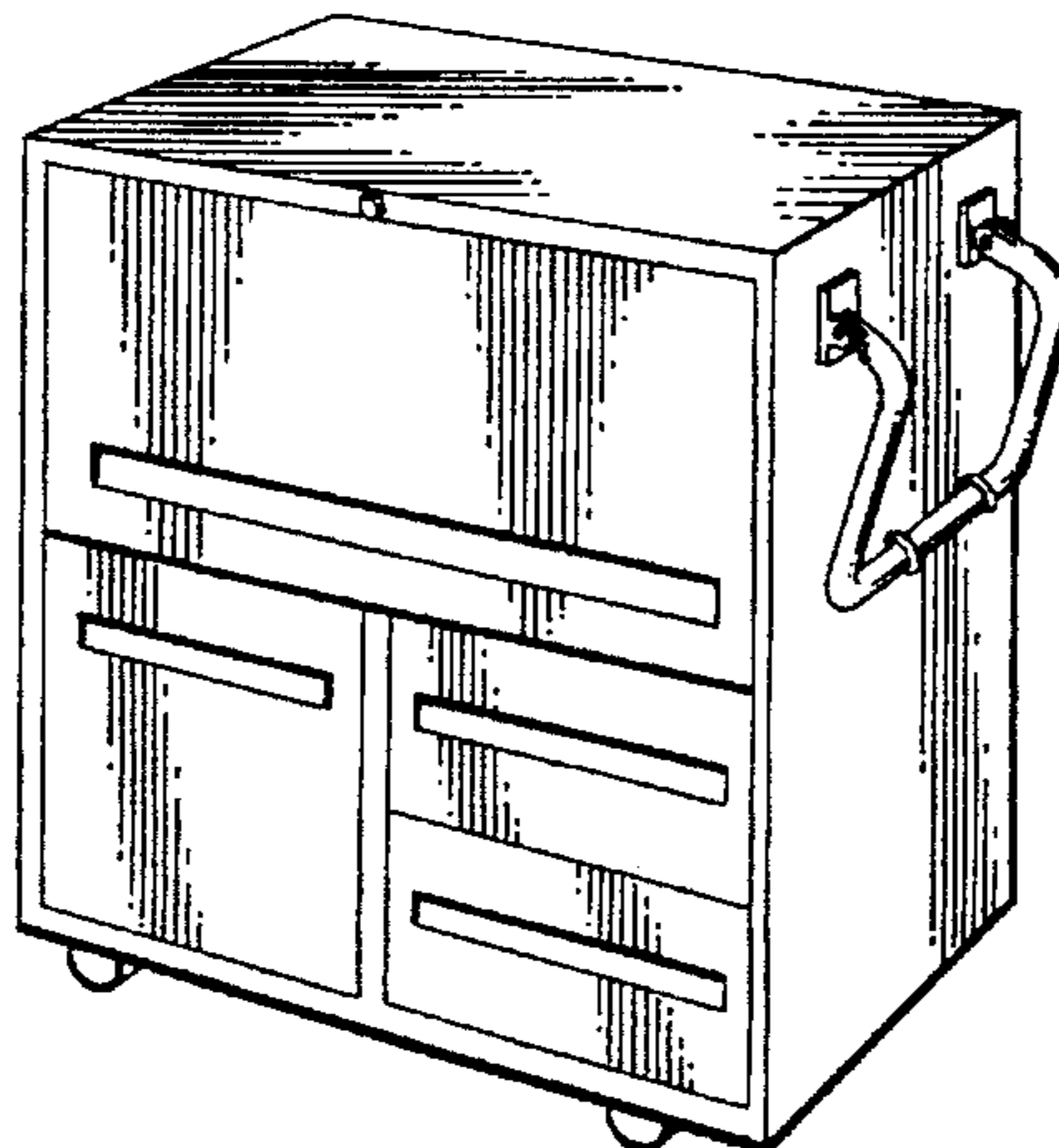
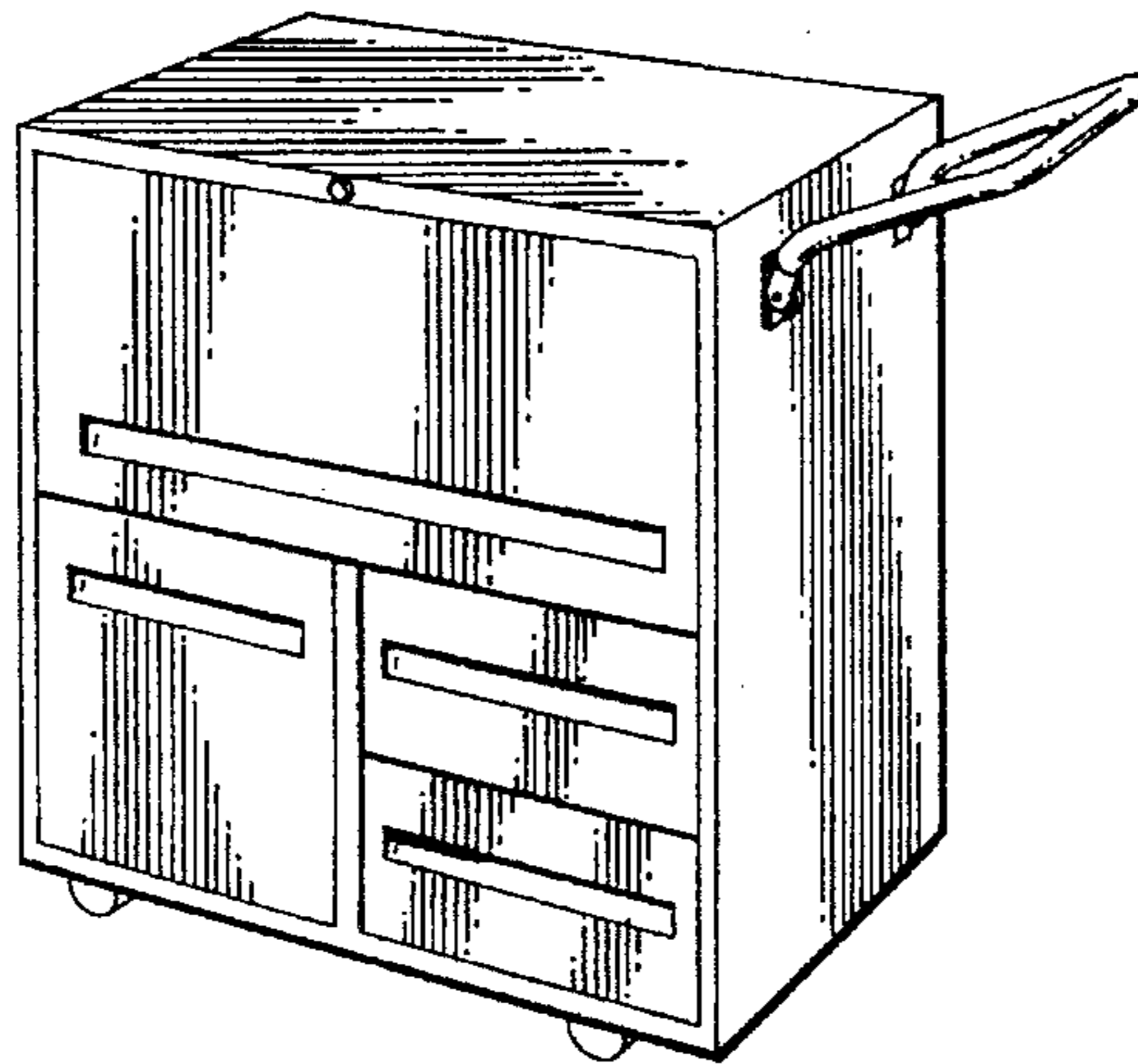
[57] **CLAIM**

The ornamental design for a file cabinet, as shown and described.

DESCRIPTION

FIG. 1 is a perspective view of a file cabinet showing our new design;
FIG. 2 is a front elevational view thereof;
FIG. 3 is a right side elevational view thereof;
FIG. 4 is a rear elevational view thereof;
FIG. 5 is a left side elevational view thereof;
FIG. 6 is a top plan view thereof;
FIG. 7 is a bottom plan view thereof; and,
FIG. 8 is a perspective view with the handle in lowered position.

1 Claim, 3 Drawing Sheets



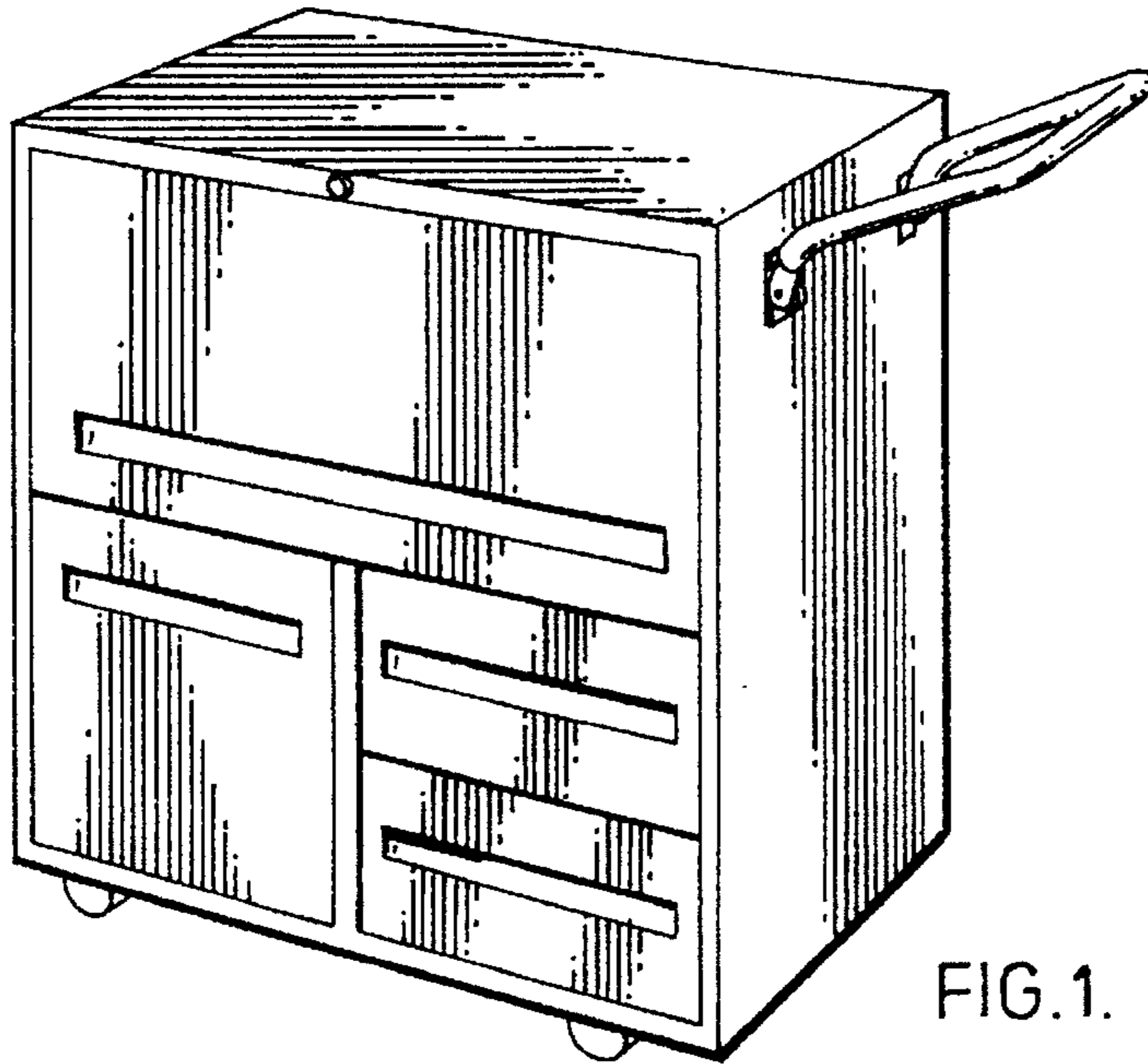


FIG. 1.

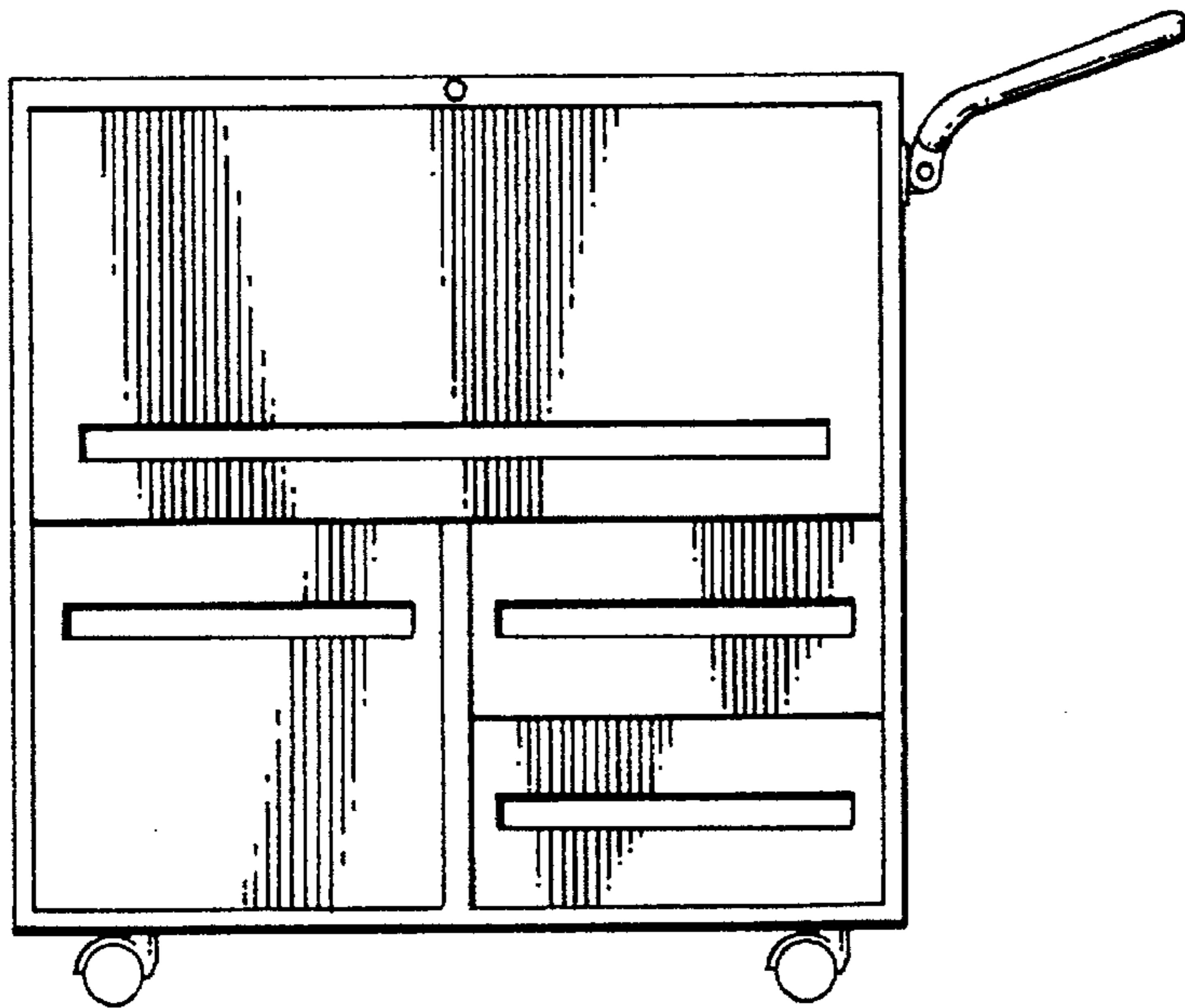


FIG. 2.

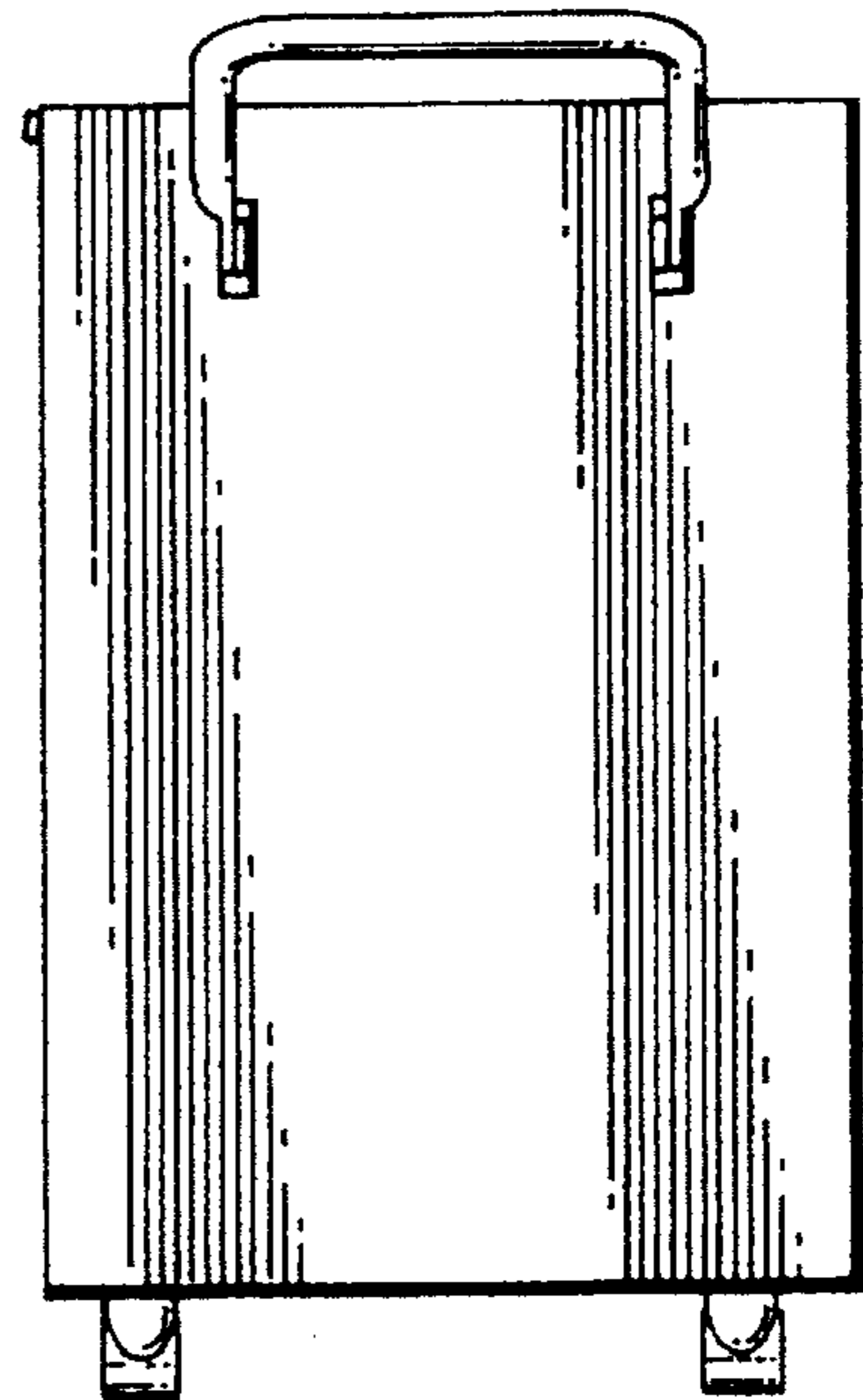


FIG. 3.

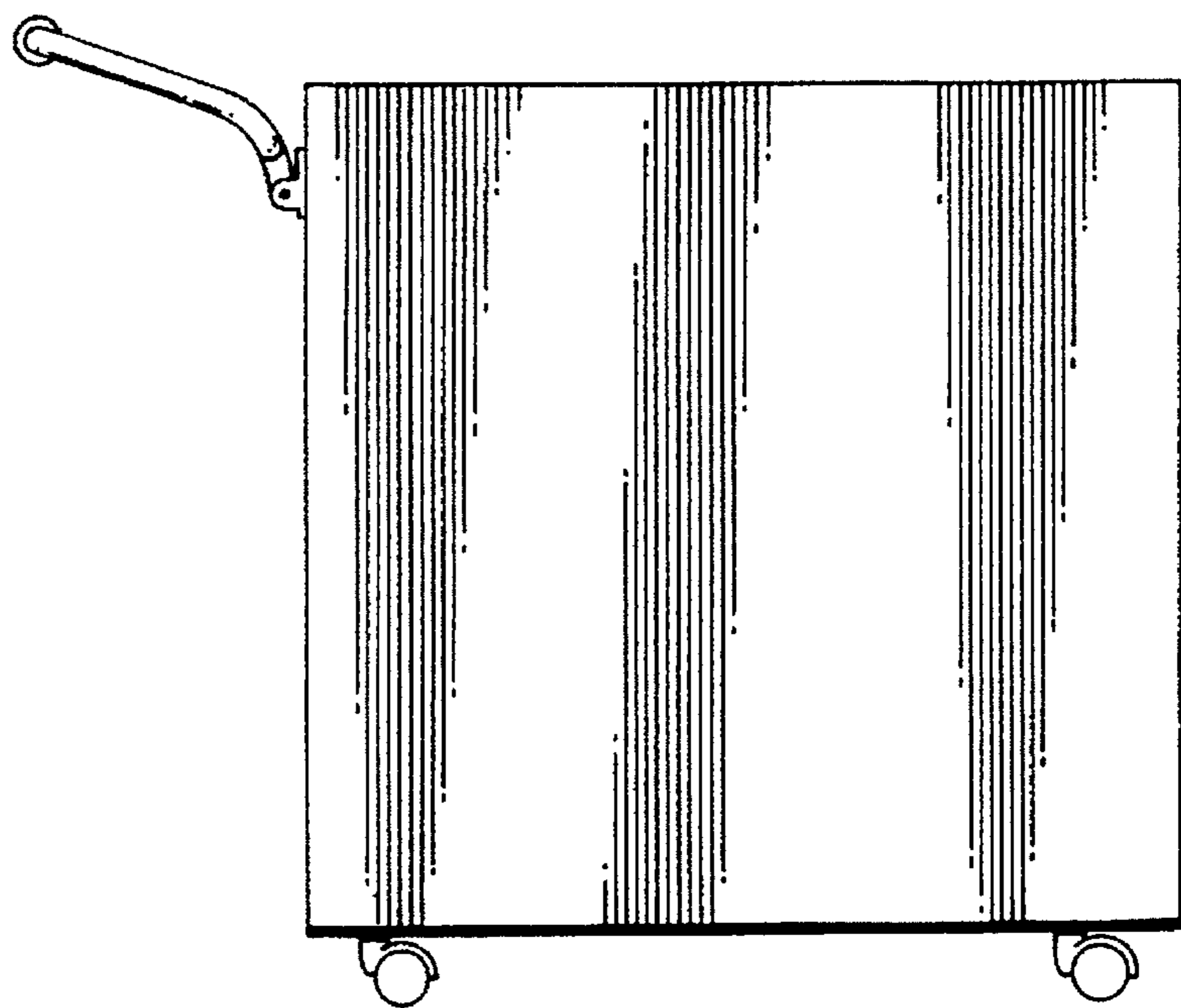


FIG. 4.

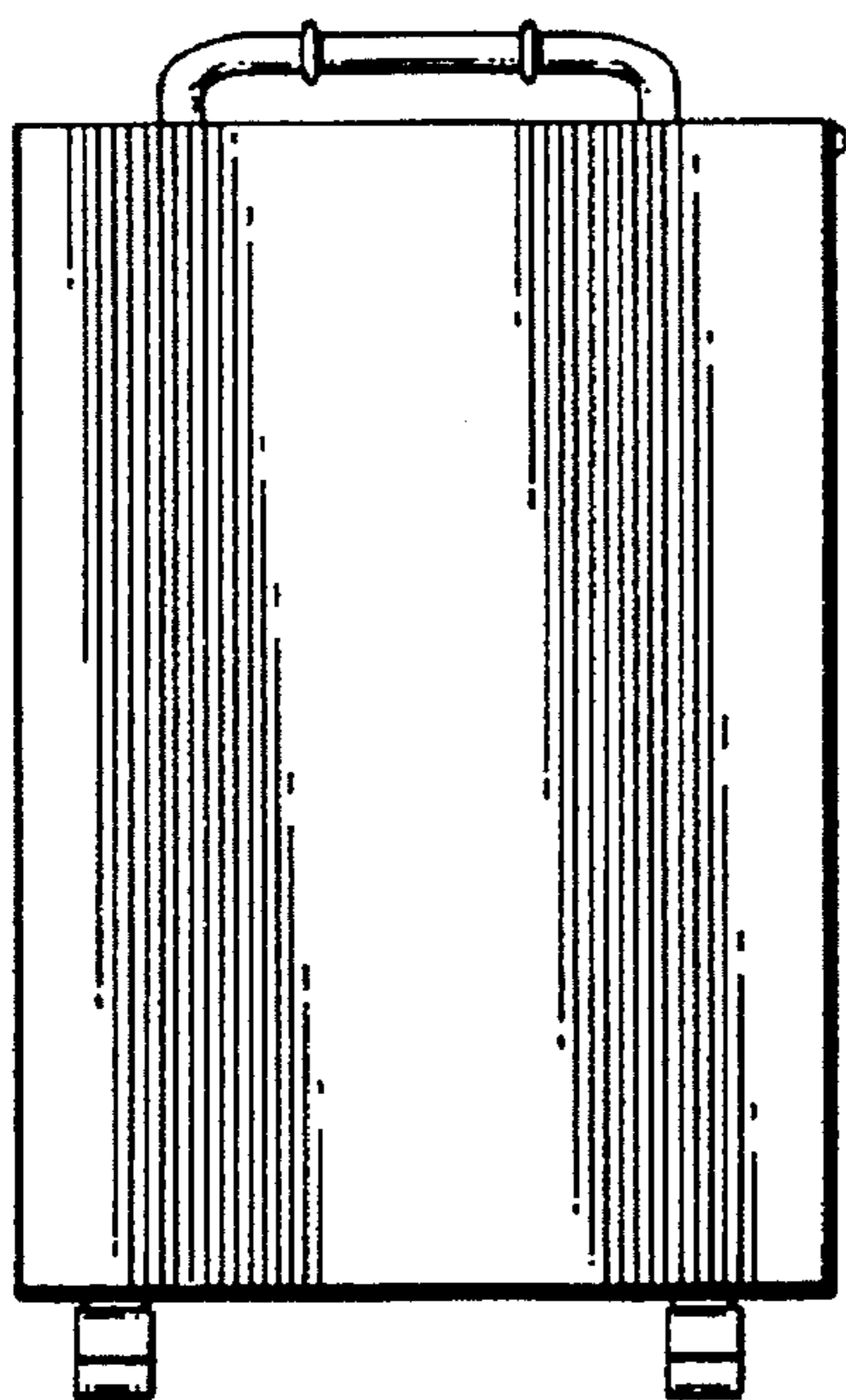


FIG. 5.

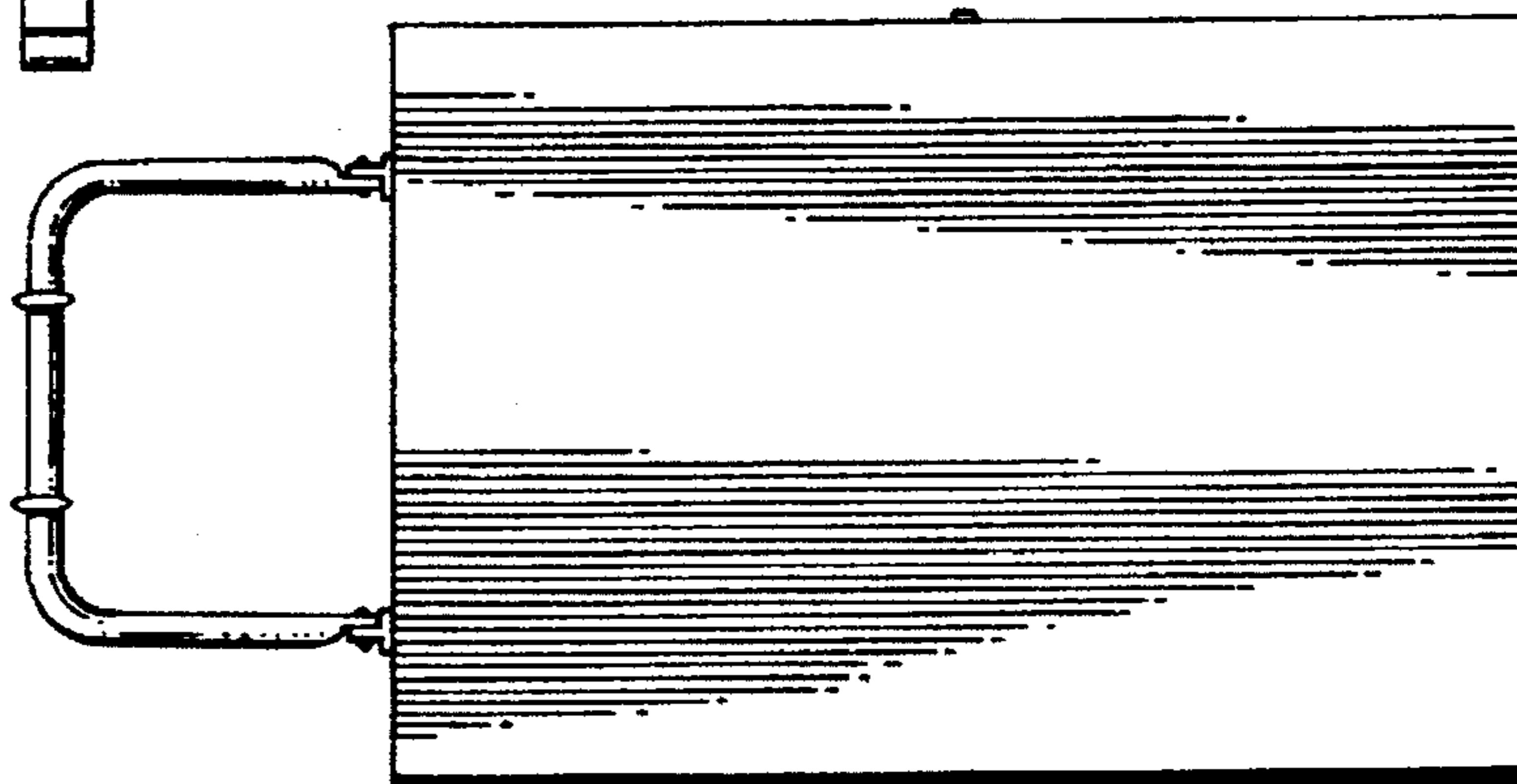


FIG. 6.

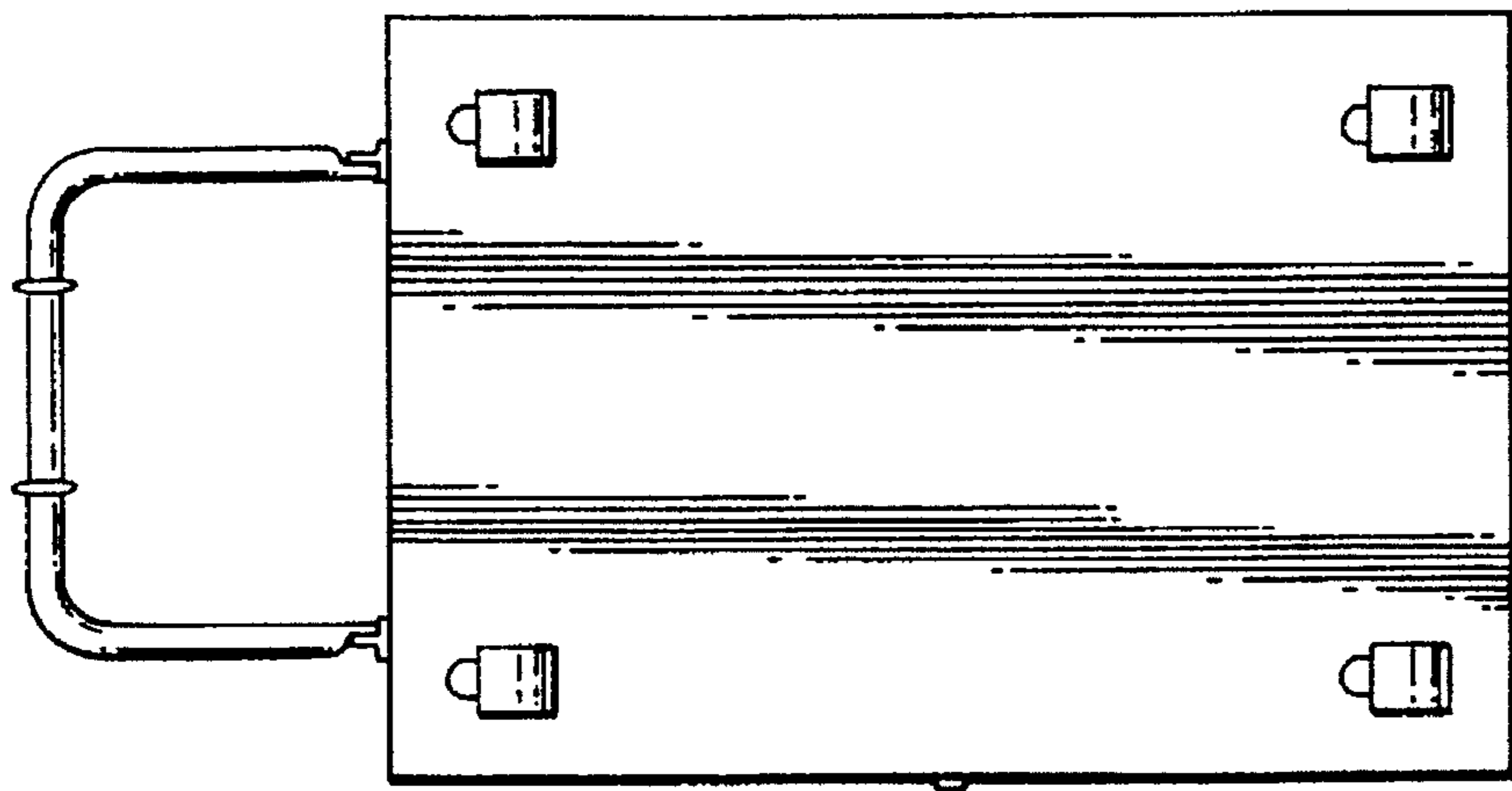


FIG. 7.

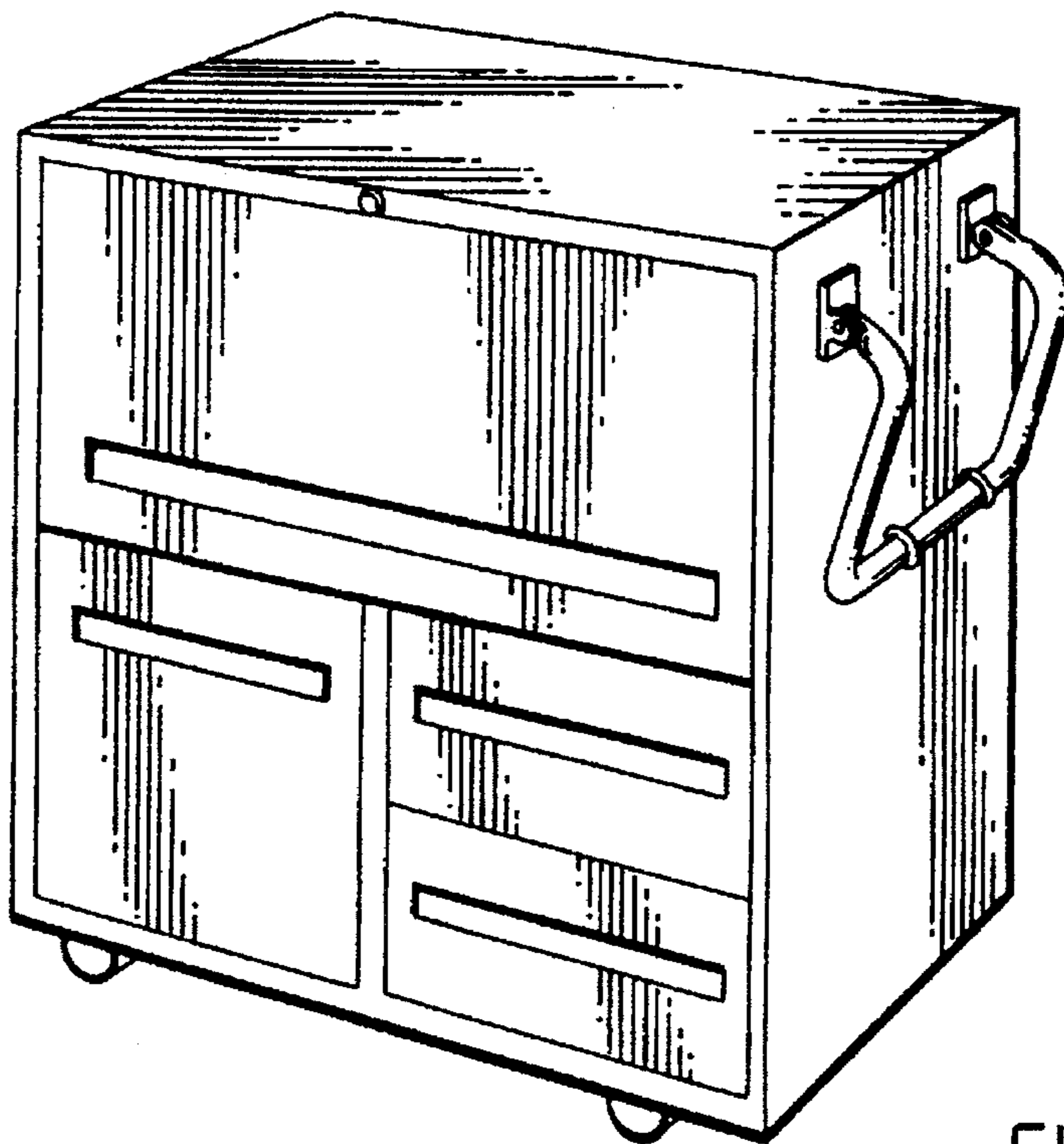


FIG. 8.