



US00D379561S

United States Patent [19]

Watson

[11] Patent Number: **Des. 379,561**

[45] Date of Patent: ****Jun. 3, 1997**

[54] **ILLUMINATED TACKLE BOX**

4,890,414 1/1990 Bridenthal et al. 224/920 X
5,333,408 8/1994 Simmons 43/54.1

[76] Inventor: **Thomas H. Watson**, 93 Oconee Cir.,
Lafayette, Ga. 30728

Primary Examiner—Doris V. Coles
Assistant Examiner—Catherine R. Oliver

[**] Term: **14 Years**

[57] **CLAIM**

[21] Appl. No.: **51,160**

The ornamental design for an illuminated tackle box, as shown and described.

[22] Filed: **Mar. 4, 1996**

DESCRIPTION

[51] LOC (6) Cl. **03-01**

[52] U.S. Cl. **D3/260; D3/905**

[58] Field of Search D3/260, 273, 282,
D3/283, 295, 904, 905; 224/920; 206/315.11;
43/54.1, 55, 57.1

FIG. 1 is a left side elevational view of the illuminated tackle box showing my new design;
FIG. 2 is a rear elevational view thereof;
FIG. 3 is a front elevational view thereof;
FIG. 4 is a top plan view thereof;
FIG. 5 is a bottom plan view thereof;
FIG. 6 is a perspective view with the lid shown in an open position; and,
FIG. 7 is a perspective view thereof.

[56] References Cited

U.S. PATENT DOCUMENTS

D. 325,672 4/1992 Baker D3/905 X
D. 364,738 12/1995 Wood D3/260
3,948,579 4/1976 Schirmer D3/905 X
4,697,379 10/1987 McPhaul D3/905 X

1 Claim, 4 Drawing Sheets

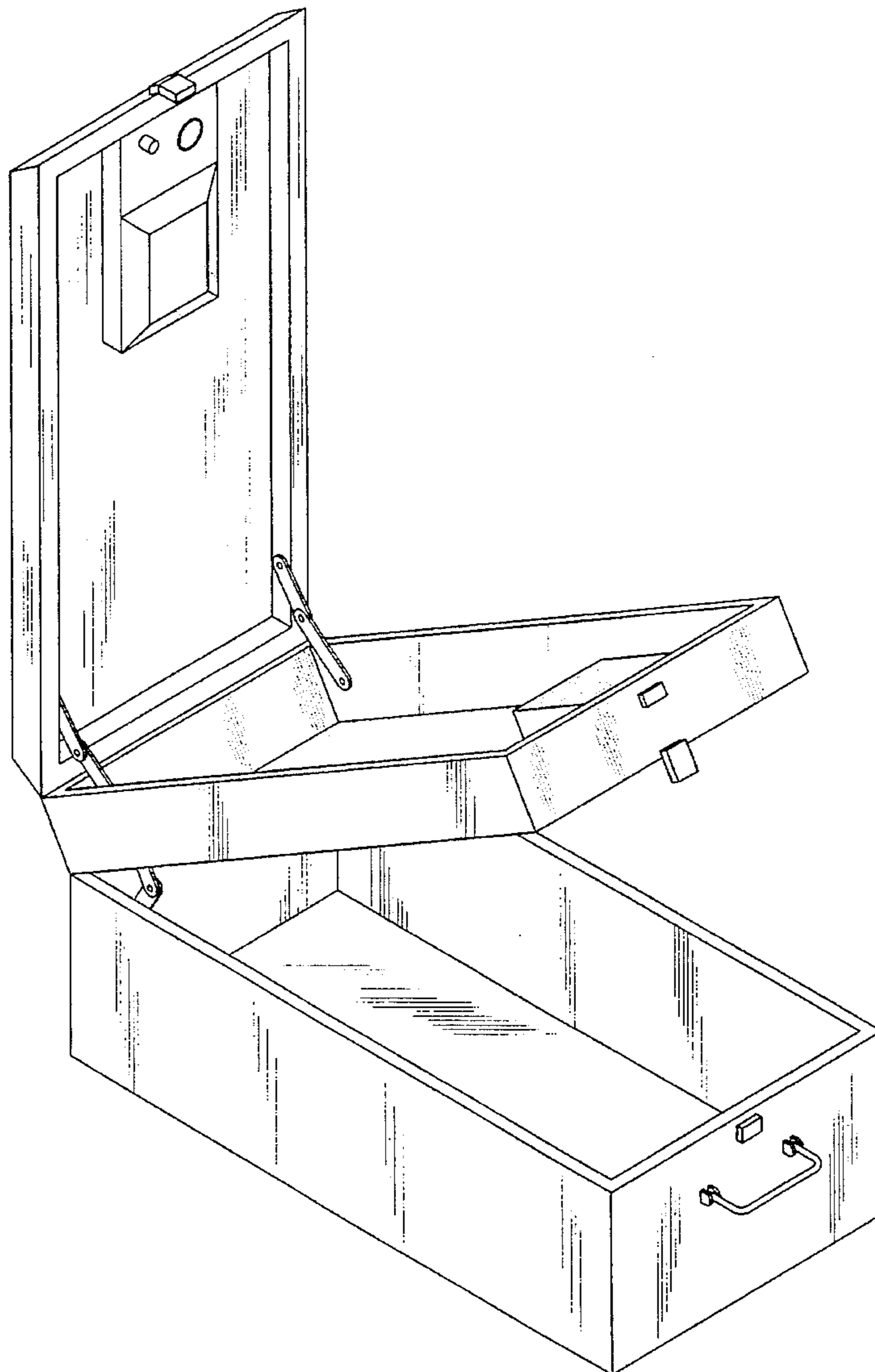


FIG. 1

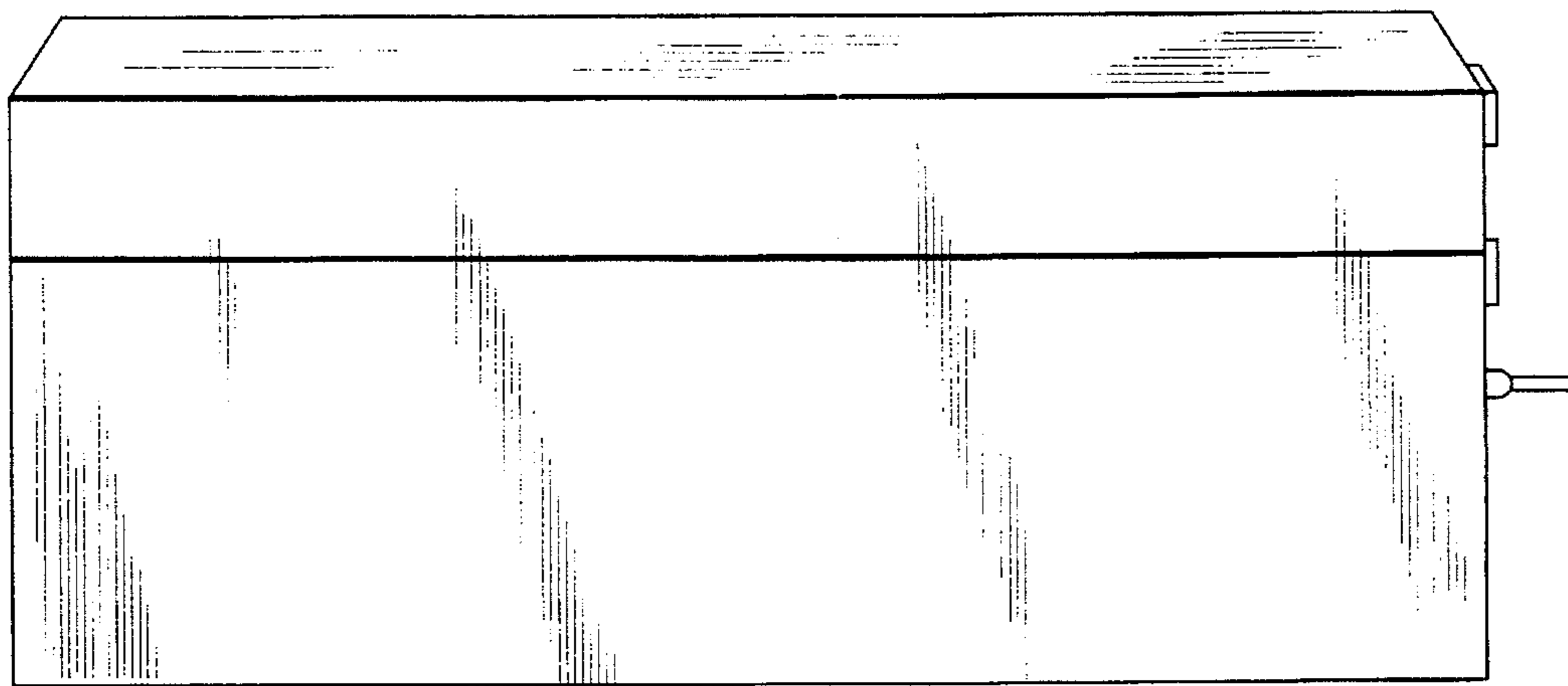


FIG. 2

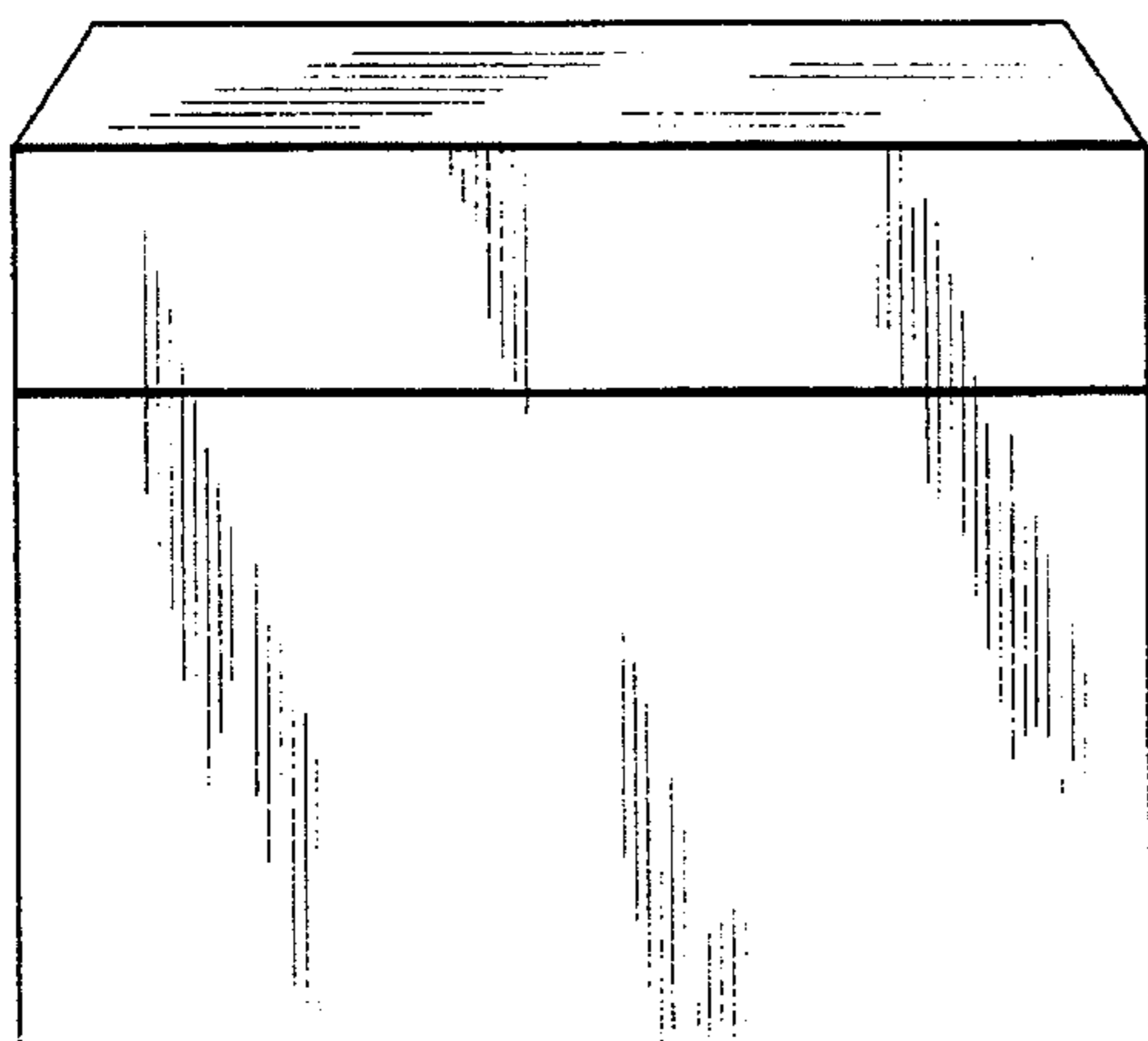


FIG. 3

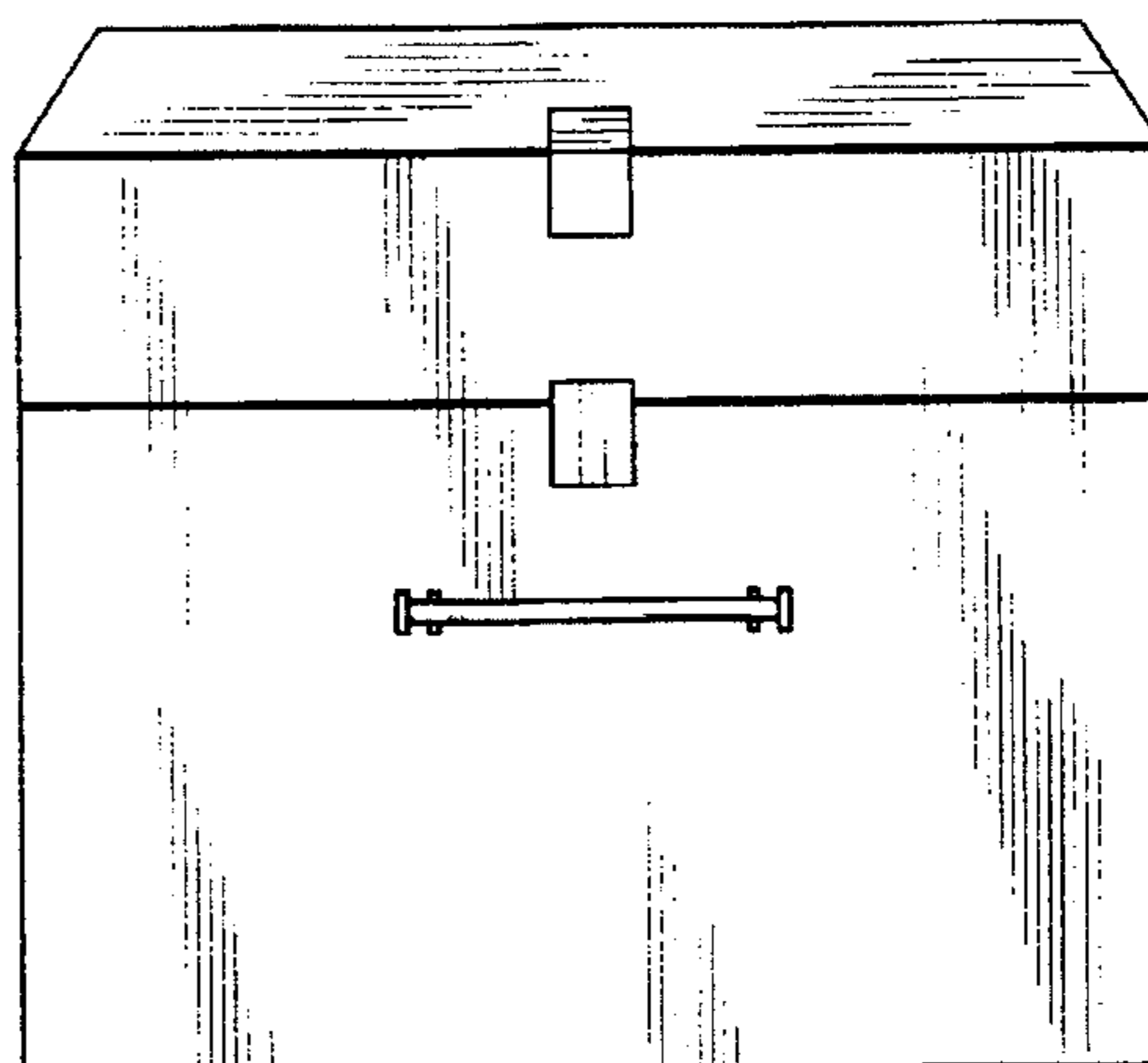


FIG. 4

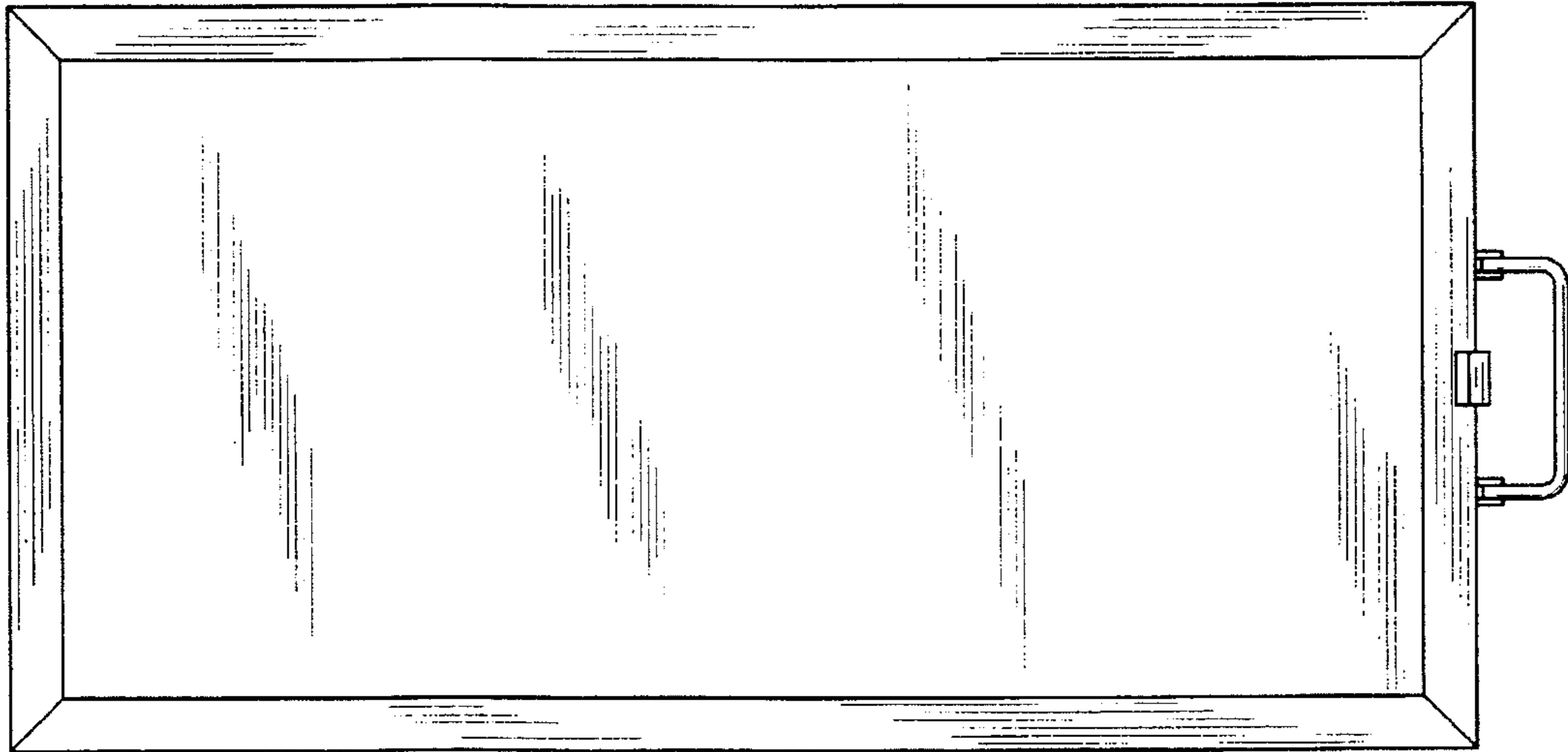


FIG. 5

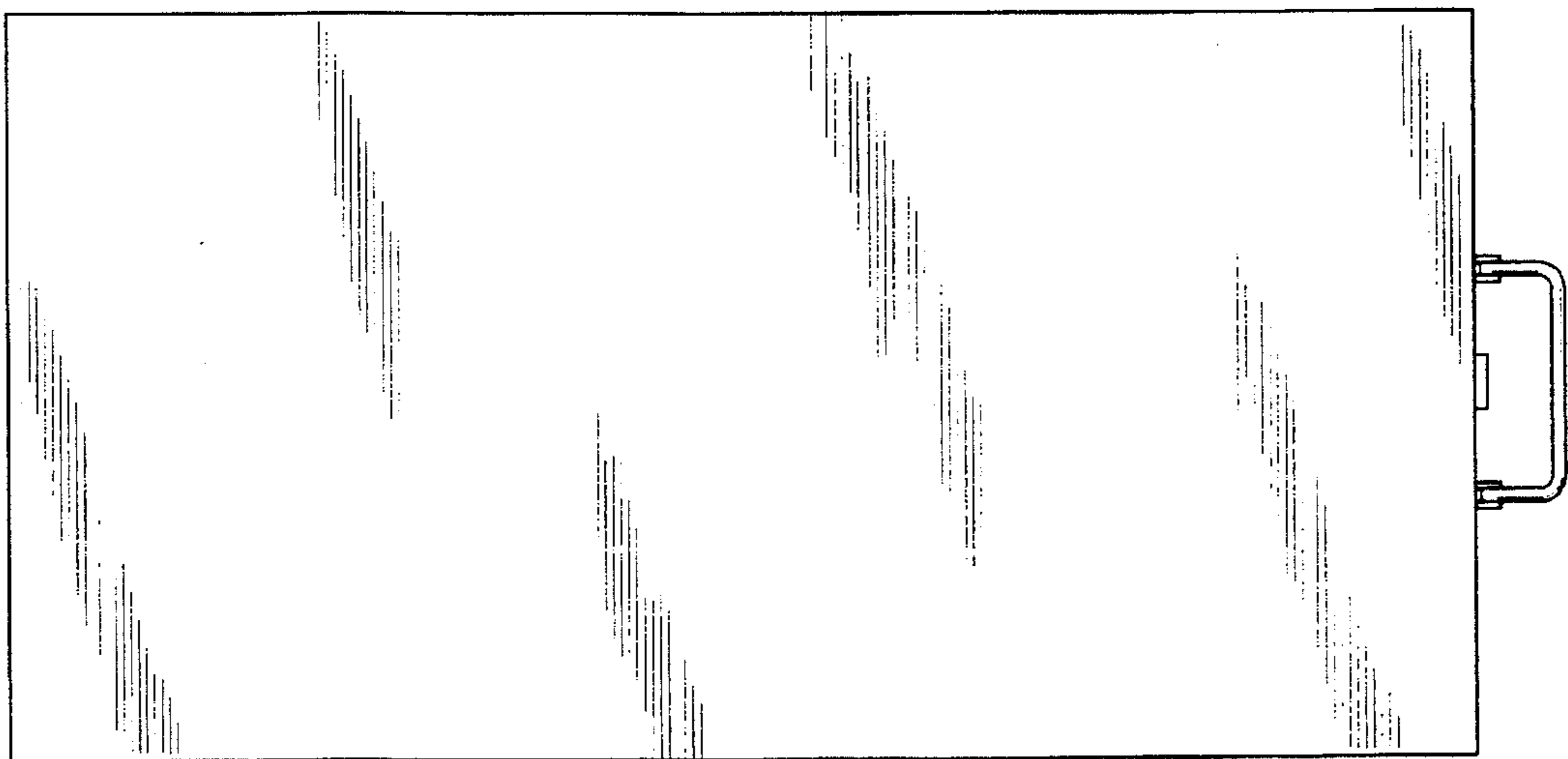


FIG. 6

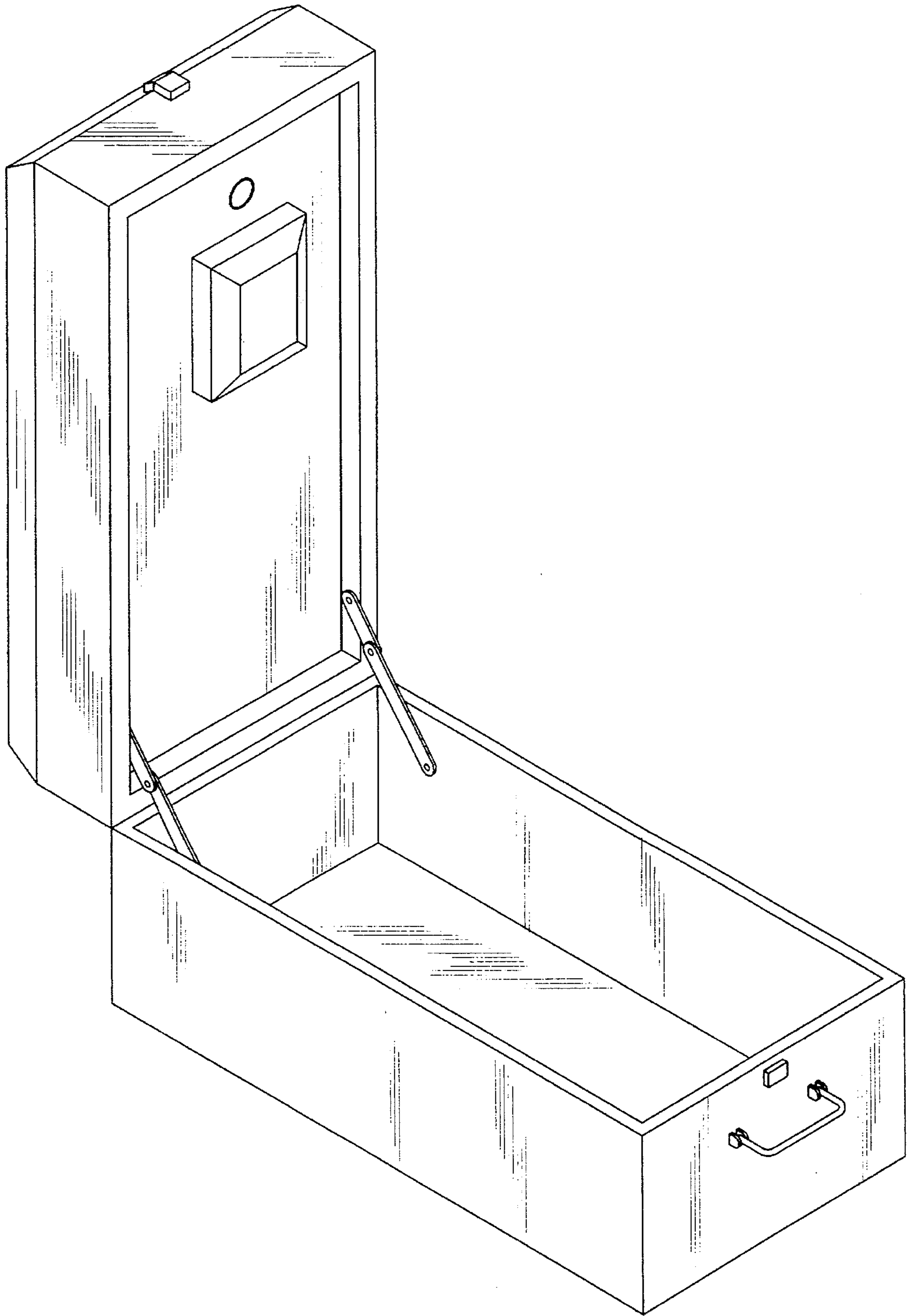


FIG. 7

