



US00D379558S

United States Patent [19]

Mischenko et al.

[11] Patent Number: **Des. 379,558**

[45] Date of Patent: ****Jun. 3, 1997**

[54] **BELT CLIP**
[75] Inventors: **Nicholas Mischenko**, Mount Prospect;
Shrirang Jambhekar, Schaumburg,
both of Ill.

[73] Assignee: **Motorola, Inc.**, Schaumburg, Ill.

[**] Term: **14 Years**

[21] Appl. No.: **32,799**

[22] Filed: **Dec. 28, 1994**

[51] LOC (6) Cl. **02-07**

[52] U.S. Cl. **D3/215; D11/200**

[58] Field of Search **D3/215, 218, 227;**
D11/200, 201, 215, 216; 224/252, 900;
24/3.1, 3.11, 3.12; 455/348, 351

[56] **References Cited**

U.S. PATENT DOCUMENTS

D. 348,775	7/1994	Scheid	D3/218
4,083,481	4/1978	Selinko	224/252
4,089,044	5/1978	Gatto et al.	361/814
4,513,354	4/1985	Abel	361/752
4,536,925	8/1985	Boothe et al.	24/3.11 X
4,631,640	12/1986	Umetsu et al.	361/814
4,641,370	2/1987	Oyamada	455/348

4,741,074	5/1988	Budano, II et al.	24/3.11
4,879,759	11/1989	Matsumoto et al.	455/348
5,016,326	5/1991	Goldenberg	24/3.11
5,241,592	8/1993	Carlson et al.	379/433
5,329,670	7/1994	Huang	224/252 X
5,331,721	7/1994	Raum, Sr.	224/901 X

Primary Examiner—Doris V. Coles
Assistant Examiner—Catherine R. Oliver
Attorney, Agent, or Firm—Daniel W. Juffernbruch

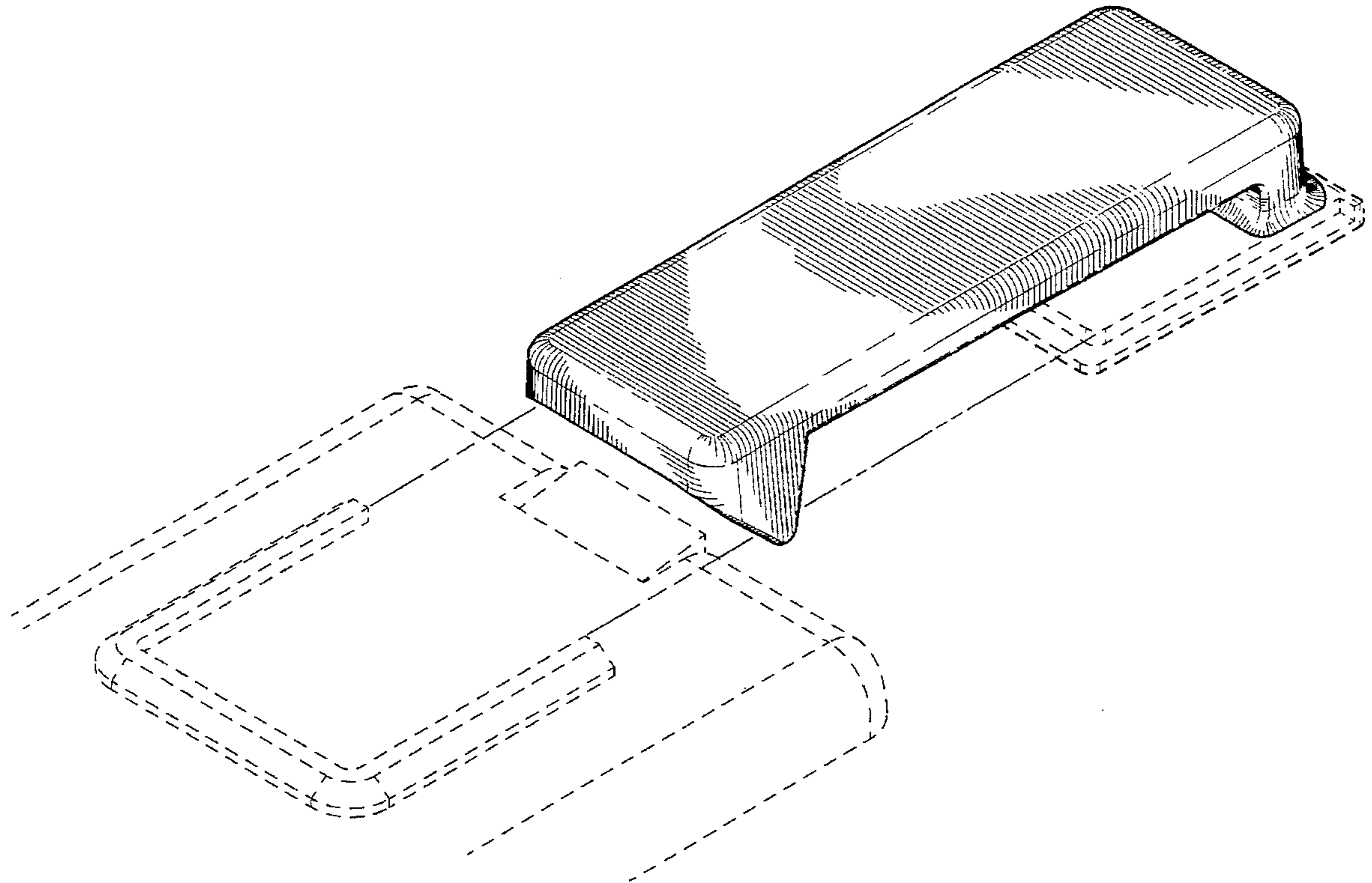
[57] **CLAIM**

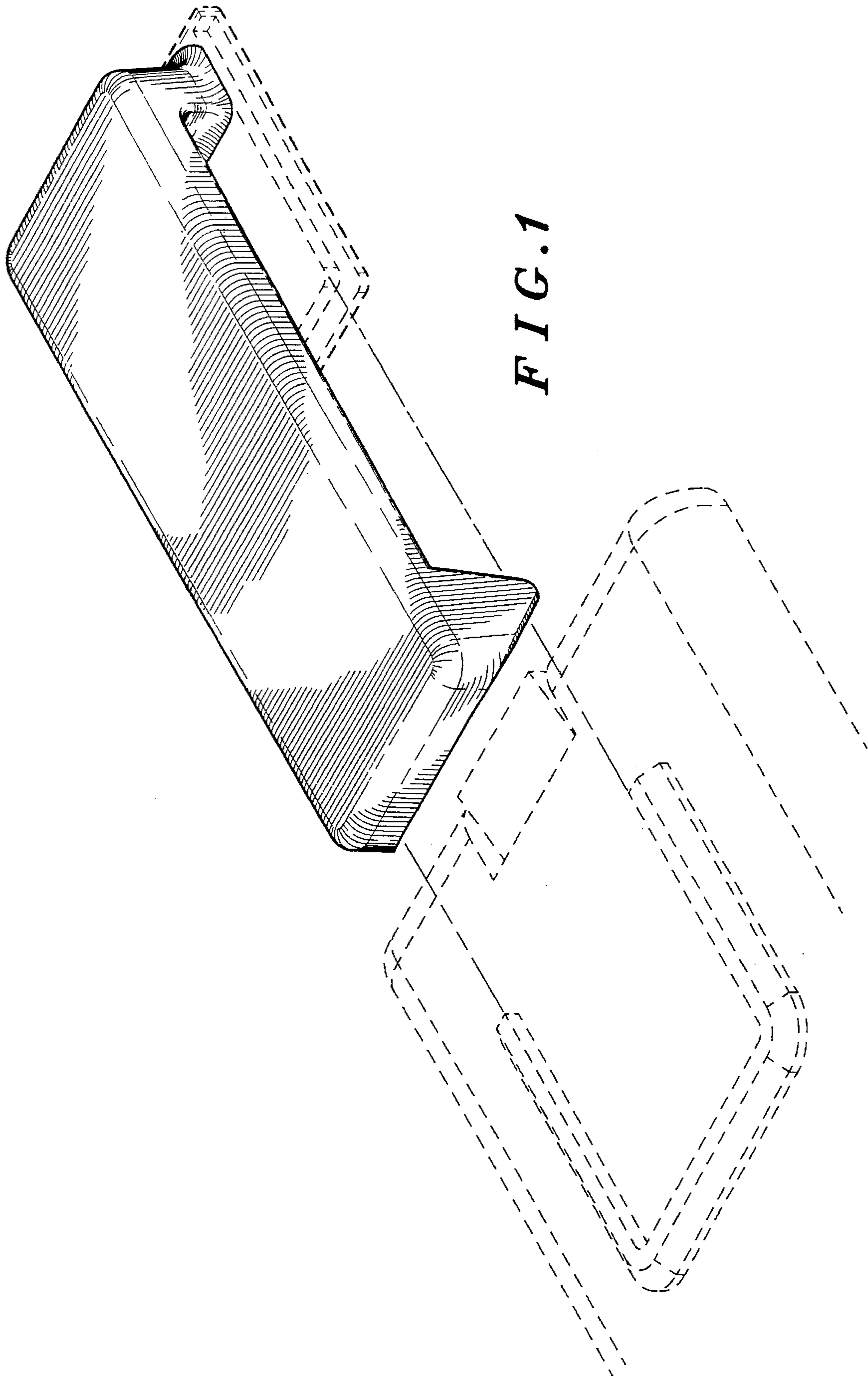
The ornamental design for a belt clip, as shown and described.

DESCRIPTION

FIG. 1 is a perspective view showing right, front and top views of the belt clip;
FIG. 2 is a bottom plan view thereof;
FIG. 3 is a rear elevation view thereof;
FIG. 4 is a left elevation view thereof;
FIG. 5 is a bottom plan view showing the broken lines removed; and,
FIG. 6 is a rear elevation view showing the broken lines removed.
The broken line showing of environment, is for illustrative purposes only and forms no part of the claimed design.

1 Claim, 3 Drawing Sheets





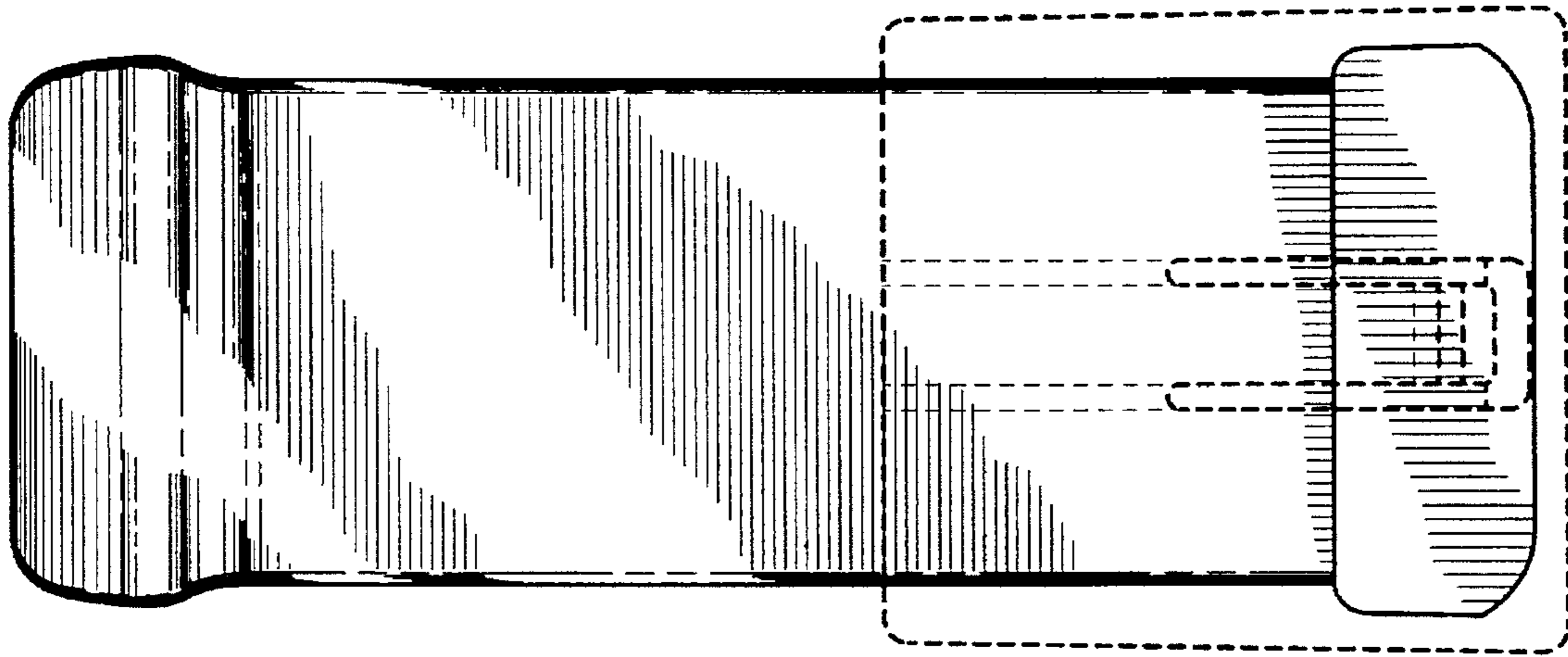


FIG. 2



FIG. 3

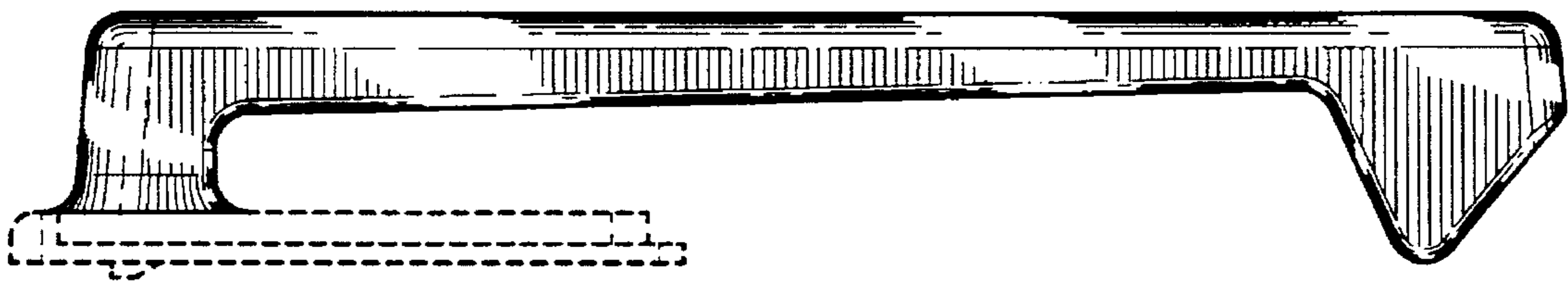


FIG. 4

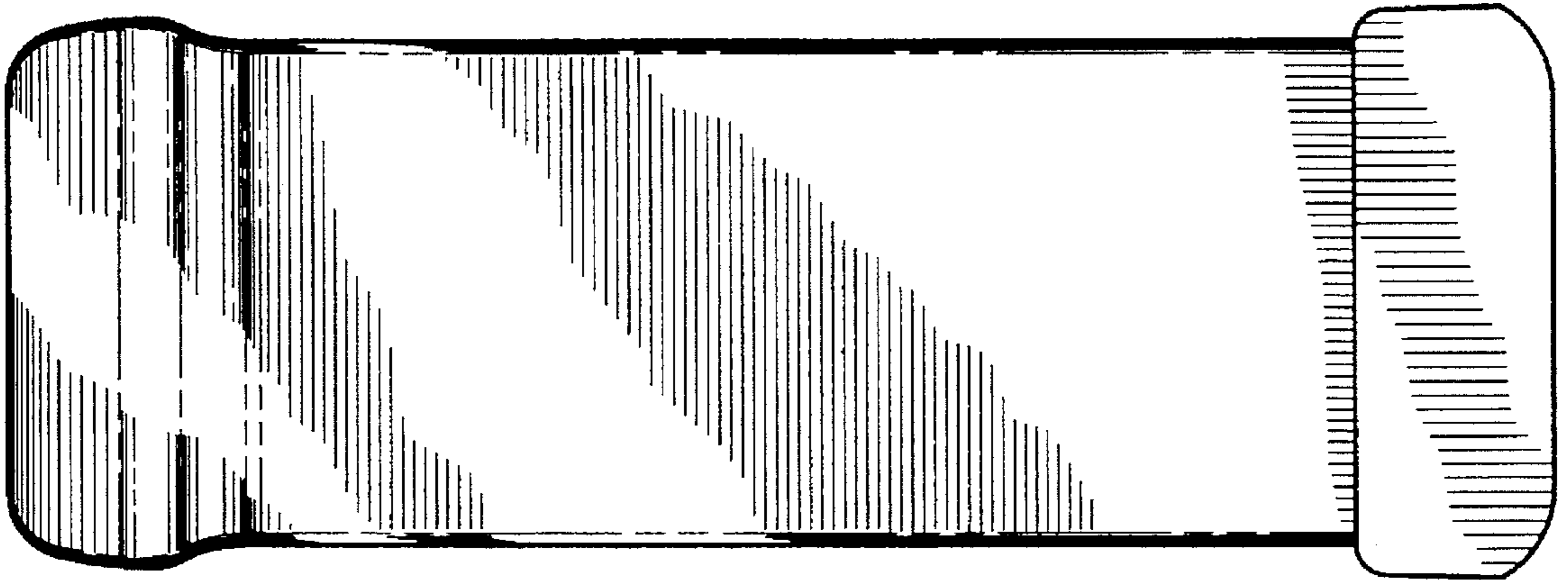


FIG. 5

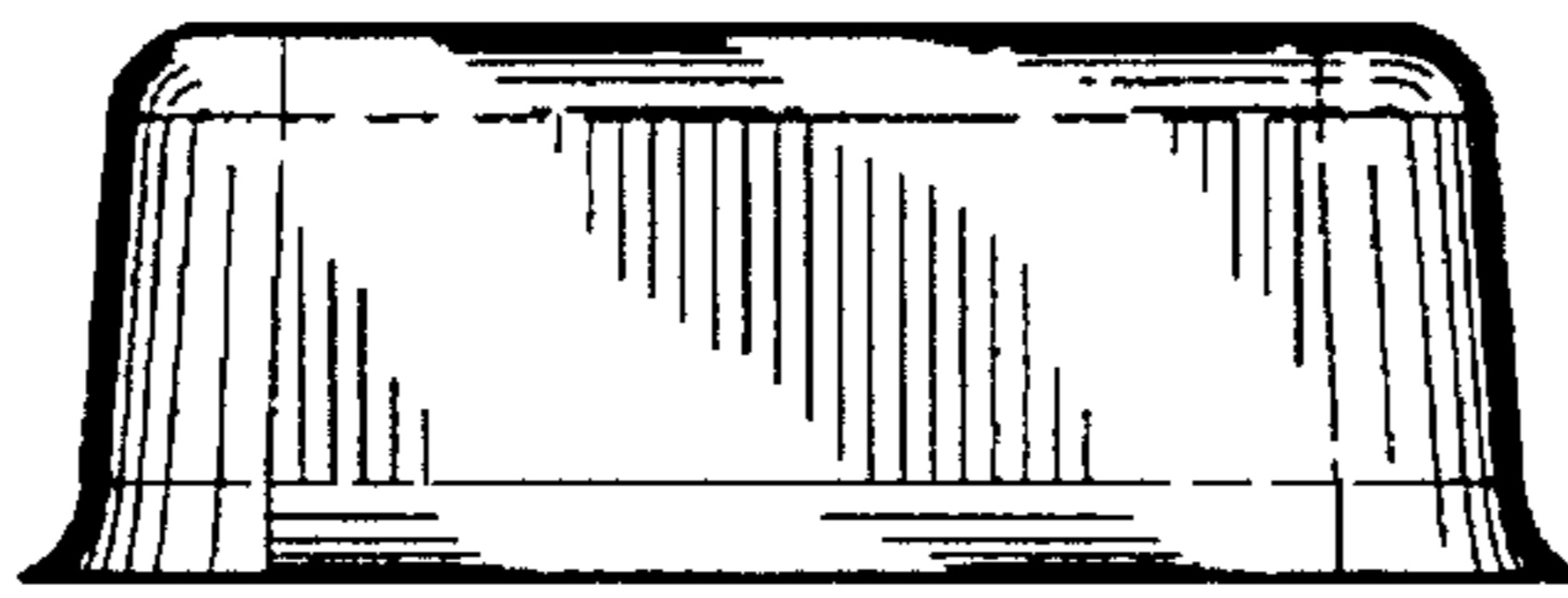


FIG. 6