



US00D379556S

United States Patent [19]

Stern

[11] Patent Number: **Des. 379,556**

[45] Date of Patent: ****May 27, 1997**

[54] **AQUARIUM**

[76] Inventor: **Bruce D. Stern**, 9018 Jeff St.,
Bellflower, Calif. 90706

[**] Term: **14 Years**

[21] Appl. No.: **50,240**

[22] Filed: **Feb. 12, 1996**

[51] LOC (6) Cl. **30-02**

[52] U.S. Cl. **D30/101**

[58] Field of Search 119/245, 246-248,
119/250, 253; D30/101-105; D11/145;
47/66 R, 66 T

[56] **References Cited**

U.S. PATENT DOCUMENTS

- D. 238,591 1/1976 De Shores D30/105
- D. 238,687 2/1976 Braid D30/105
- D. 244,623 6/1977 Braid D30/101

- D. 301,775 6/1989 McKeever D30/104
- D. 358,356 5/1995 Rahr D11/155
- 3,921,583 11/1975 De Shores D30/105

FOREIGN PATENT DOCUMENTS

- 717987 1/1932 France D11/156

Primary Examiner—Cathy Anne MacCormac
Attorney, Agent, or Firm—Thomas A. Turner, Jr.

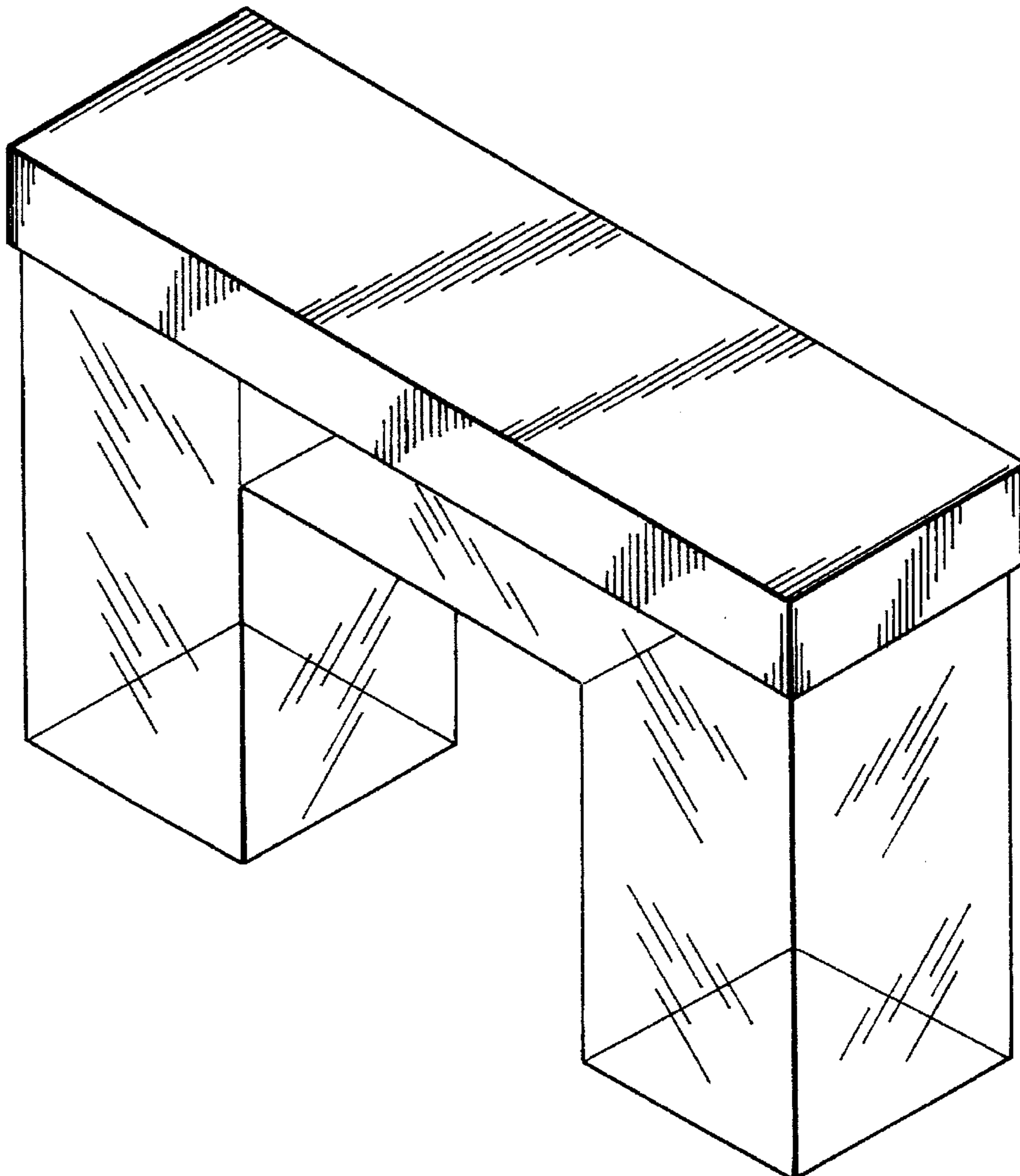
[57] **CLAIM**

The ornamental design for an aquarium, as shown.

DESCRIPTION

FIG. 1 is a perspective view of an aquarium showing my new design;
FIG. 2 is a side elevation view thereof;
FIG. 3 is a front elevational view thereof; and,
FIG. 4 is a bottom plan view thereof.

1 Claim, 1 Drawing Sheet



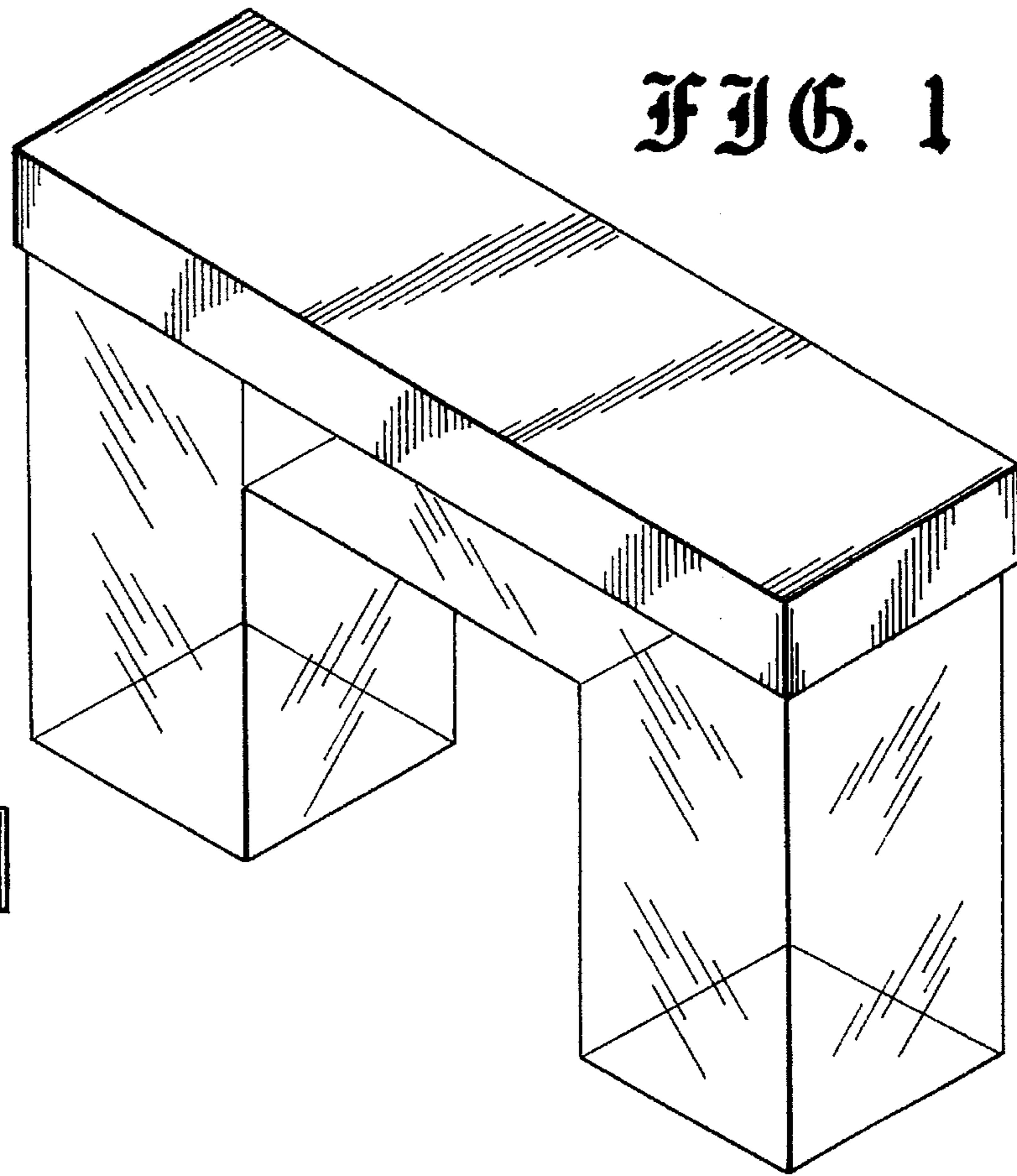


FIG. 1

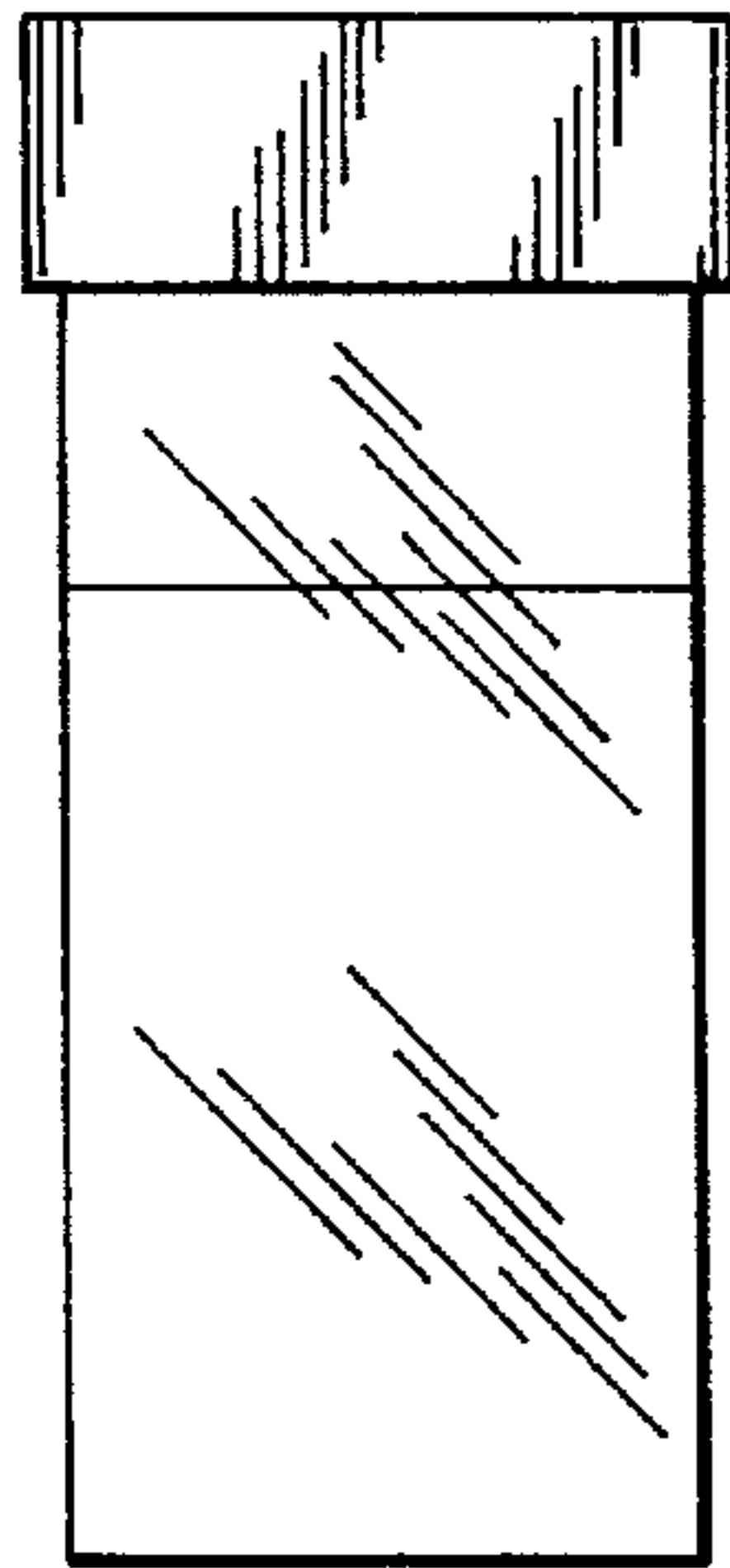


FIG. 2

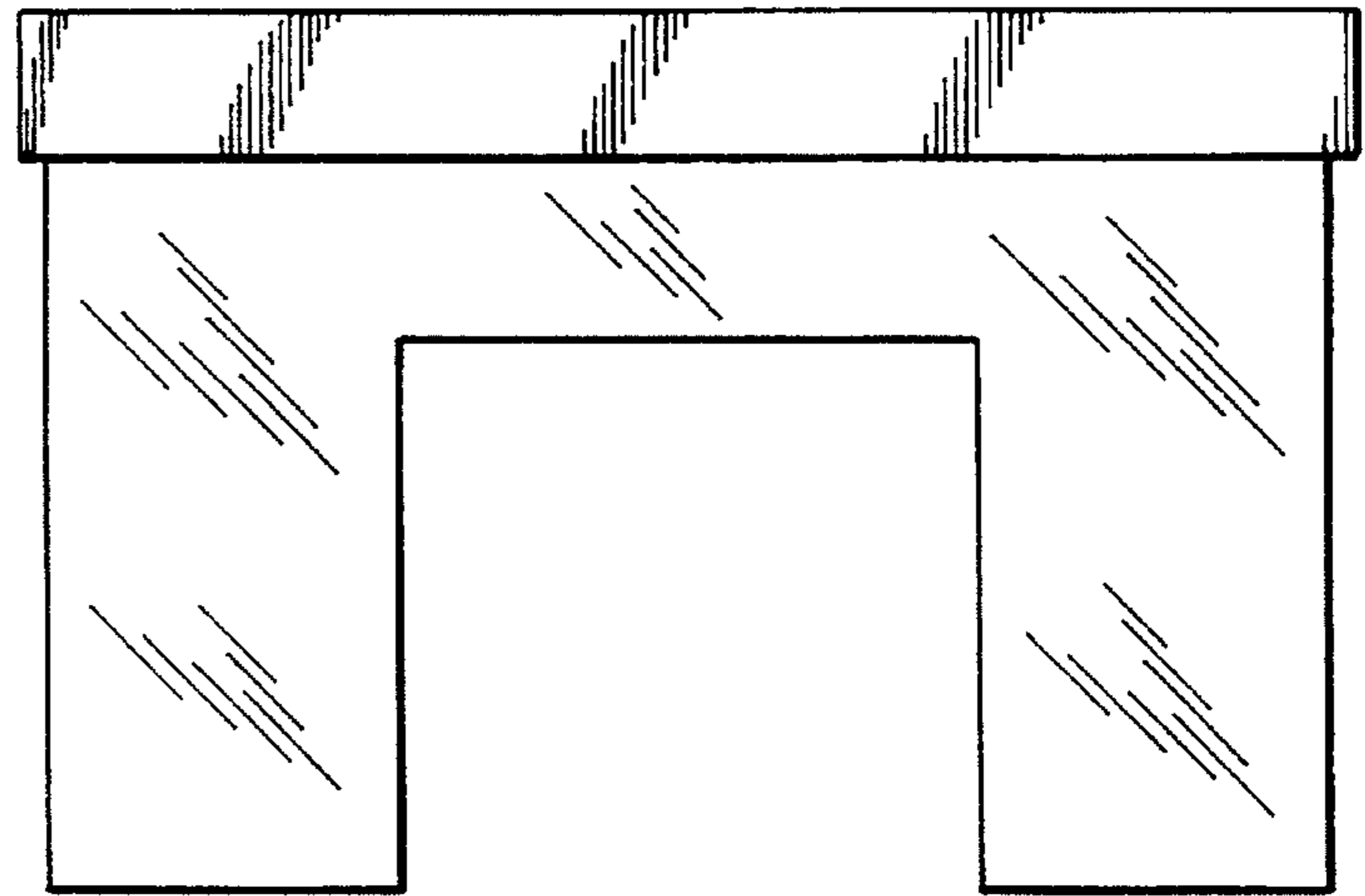


FIG. 3

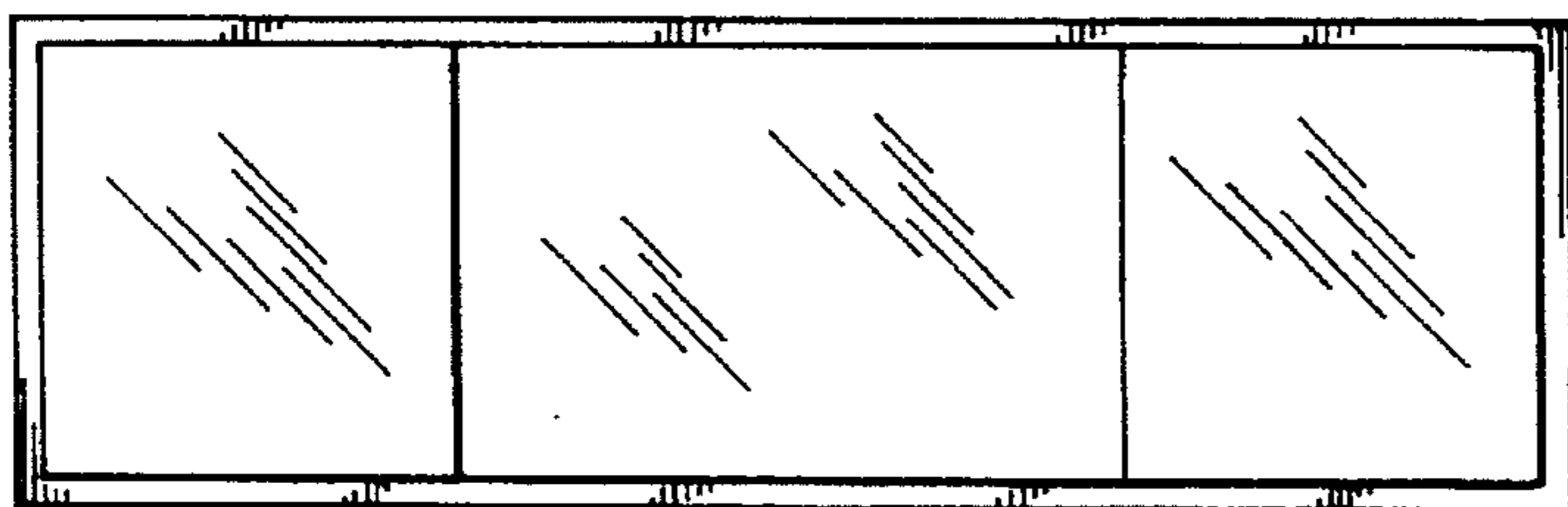


FIG. 4