



US00D379554S

# United States Patent [19] Landers

[11] Patent Number: Des. 379,554

[45] Date of Patent: \*\*May 27, 1997

## [54] CURLING IRON AND STOVE COMBINATION

[76] Inventor: **Osiris R. Landers**, 2239 Burns, Detroit, Mich. 48214

[\*\*] Term: **14 Years**

[21] Appl. No.: **31,493**

[22] Filed: **Nov. 29, 1994**

[51] LOC (6) Cl. .... **28-03**

[52] U.S. Cl. .... **D28/35; D28/38**

[58] Field of Search ..... D28/35, 38, 73; D6/449, 455-469; 132/223-234, 263, 269; D8/71; D11/143; D19/85; 219/222, 225, 242; 248/117.1-117.7; 211/13, 70.6

### [56] References Cited

#### U.S. PATENT DOCUMENTS

D. 269,555	6/1983	Peterson et al. ....	D28/35
928,213	7/1909	Patterson .....	248/176.1 X
2,012,983	9/1935	Bales .....	211/134 X
2,866,468	12/1958	Eldridge .....	D28/35 X
3,220,421	11/1965	Van Droogenbroek et al. ...	219/225 X
3,516,420	6/1970	Porter .....	219/225 X
3,688,778	9/1972	Budman et al. ....	D28/37 X
5,031,778	7/1991	Edgecombe .....	248/176.1 X
5,034,615	7/1991	Stillwagon et al. ....	211/70.6 X

## FOREIGN PATENT DOCUMENTS

353142 5/1961 Switzerland .

*Primary Examiner*—Terry A. Wallace

*Assistant Examiner*—C. Tuttle

*Attorney, Agent, or Firm*—Harness, Dickey & Pierce, P.L.C.

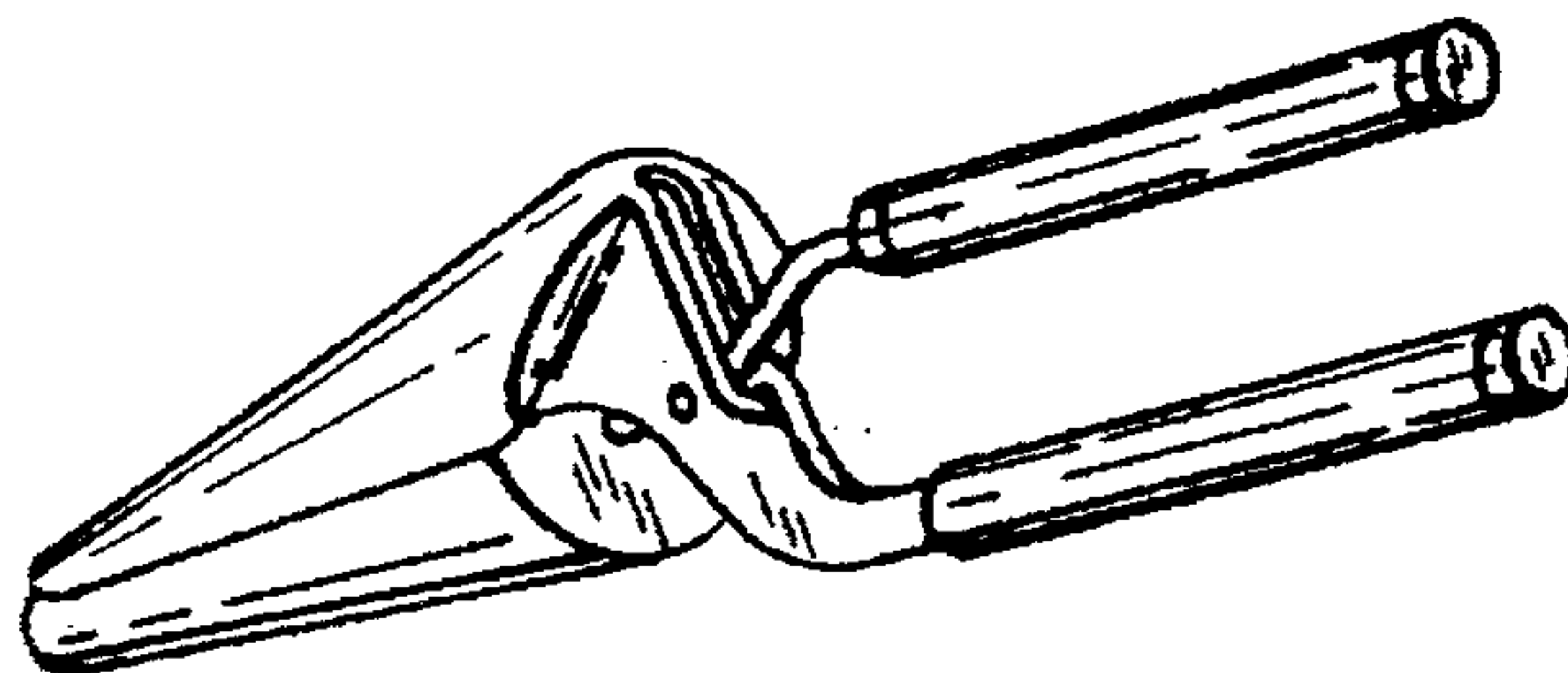
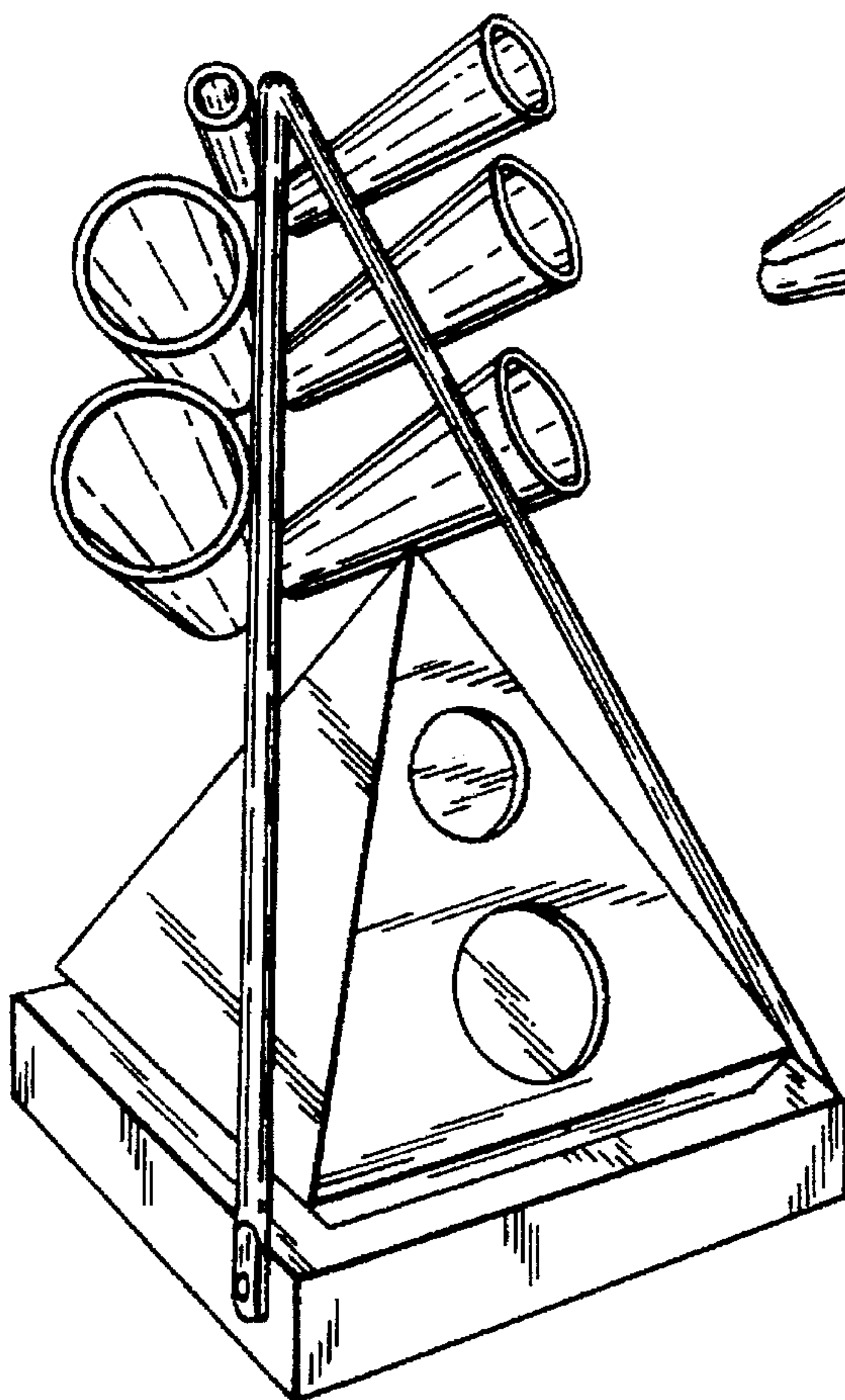
## [57] CLAIM

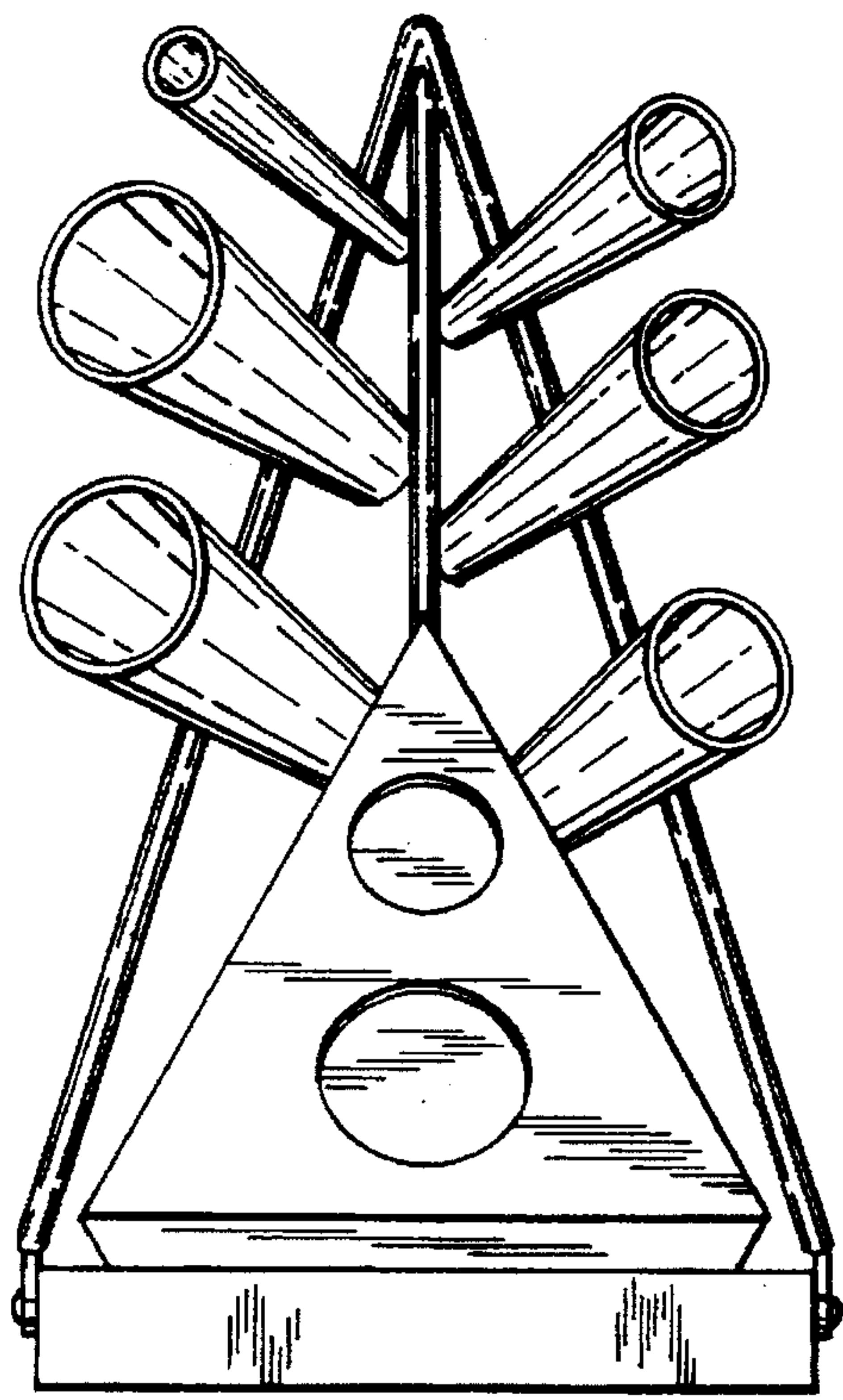
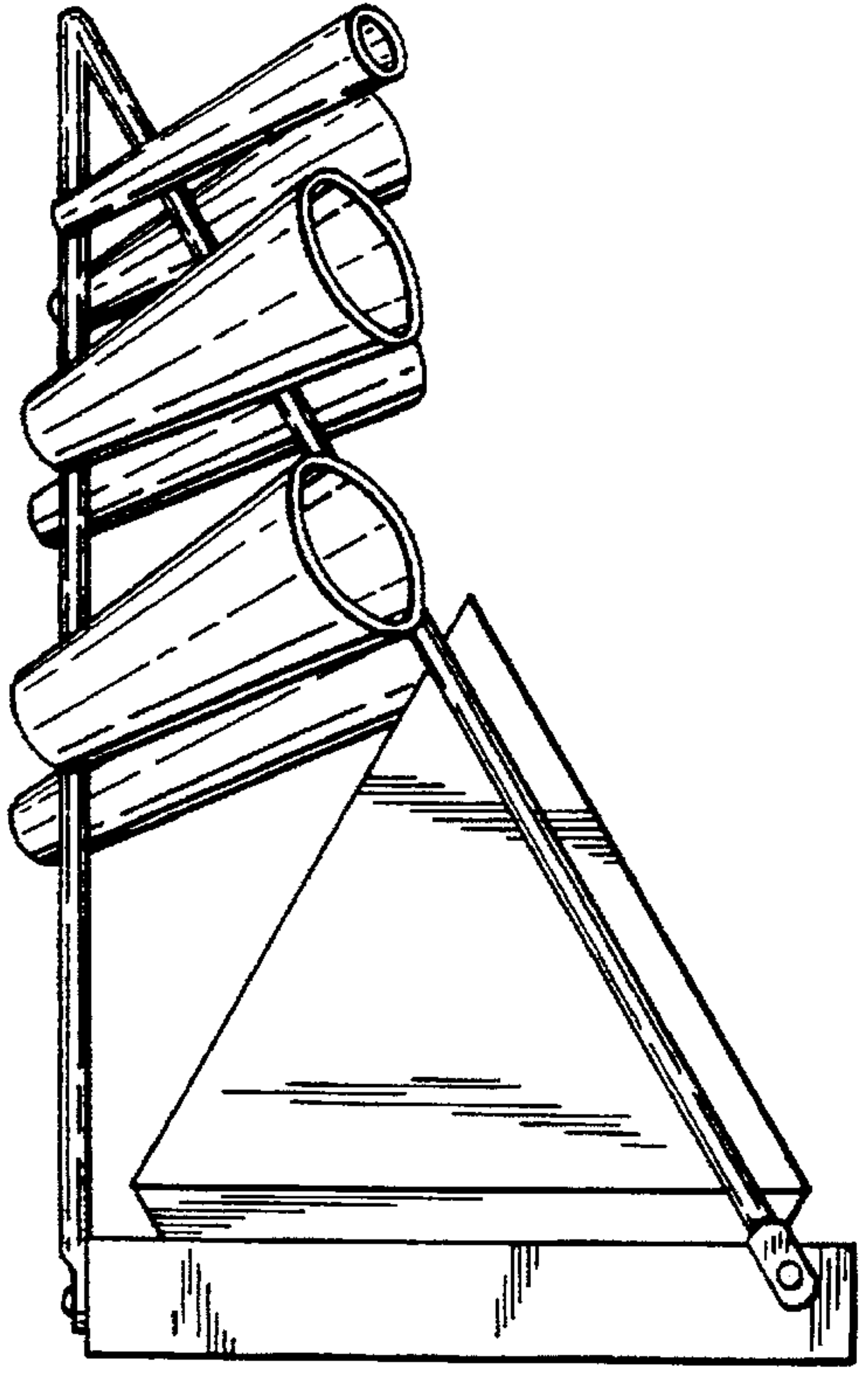
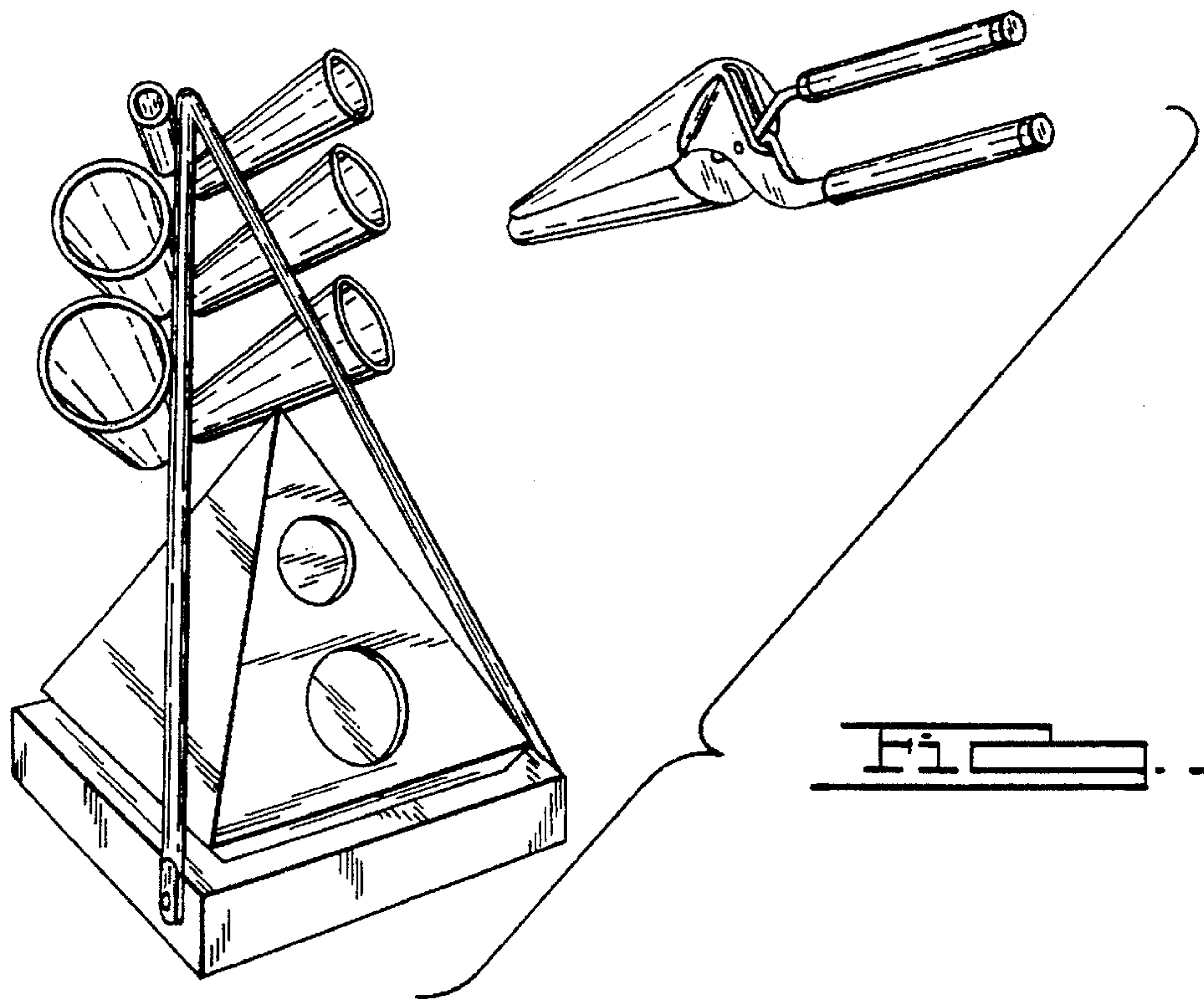
The ornamental design for a curling iron and stove combination, as shown and described.

## DESCRIPTION

FIG. 1 is an exploded perspective view of the curling iron and stove combination of the present invention; FIG. 2 is a left side view of the stove component of the design, shown separately for clarity of disclosure; FIG. 3 is a front view thereof; FIG. 4 is a top view thereof; FIG. 5 is a right side view thereof; FIG. 6 is a rear view thereof; FIG. 7 is a perspective view of the curling iron component of the design, shown separately for clarity of disclosure; FIG. 8 is a bottom view thereof; FIG. 9 is a right side view thereof the side opposite being a mirror image of the side shown. FIG. 10 is a top view thereof; FIG. 11 is a front view thereof; and, FIG. 12 is a rear view thereof.

1 Claim, 3 Drawing Sheets







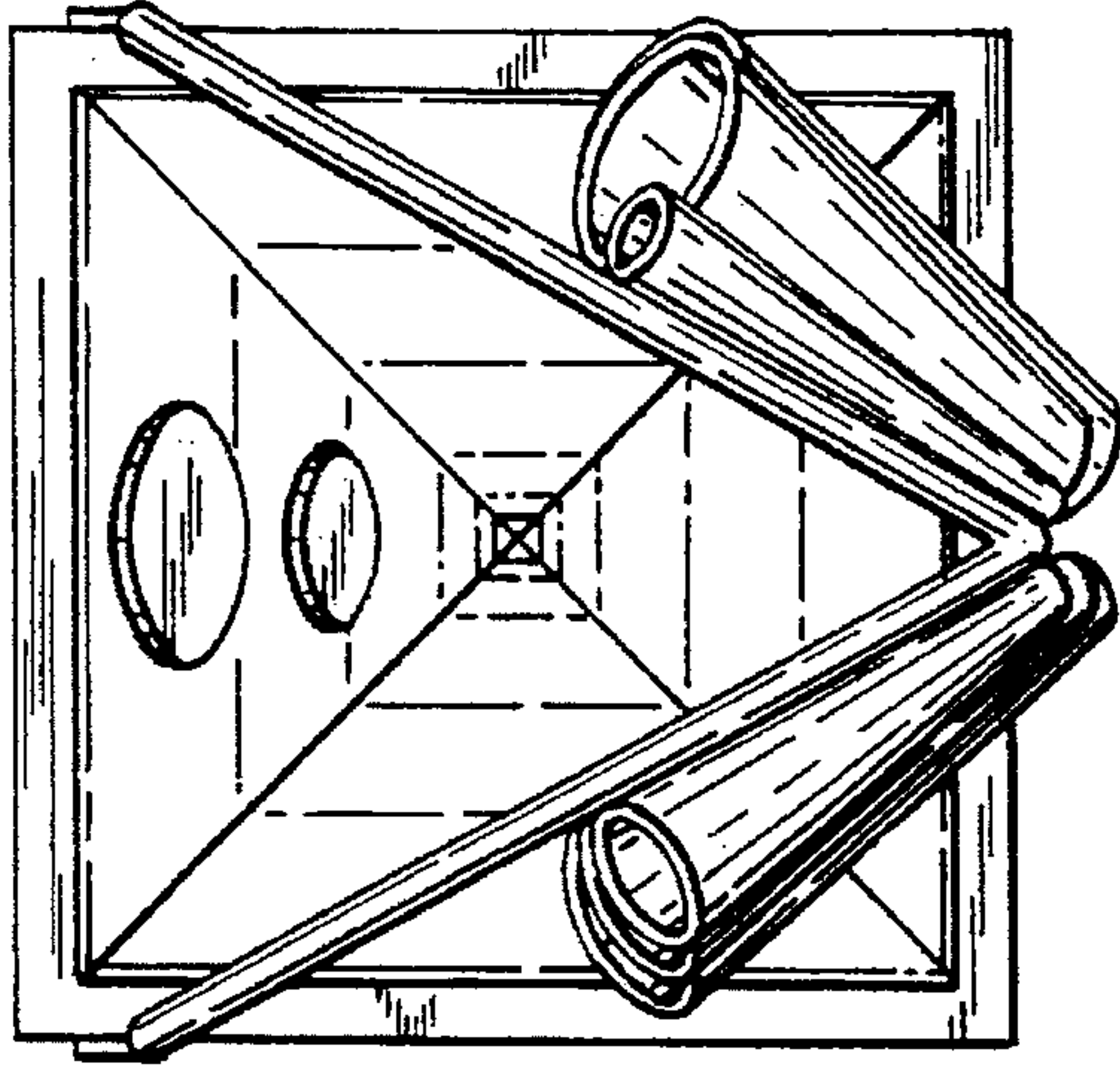


FIG. 4.

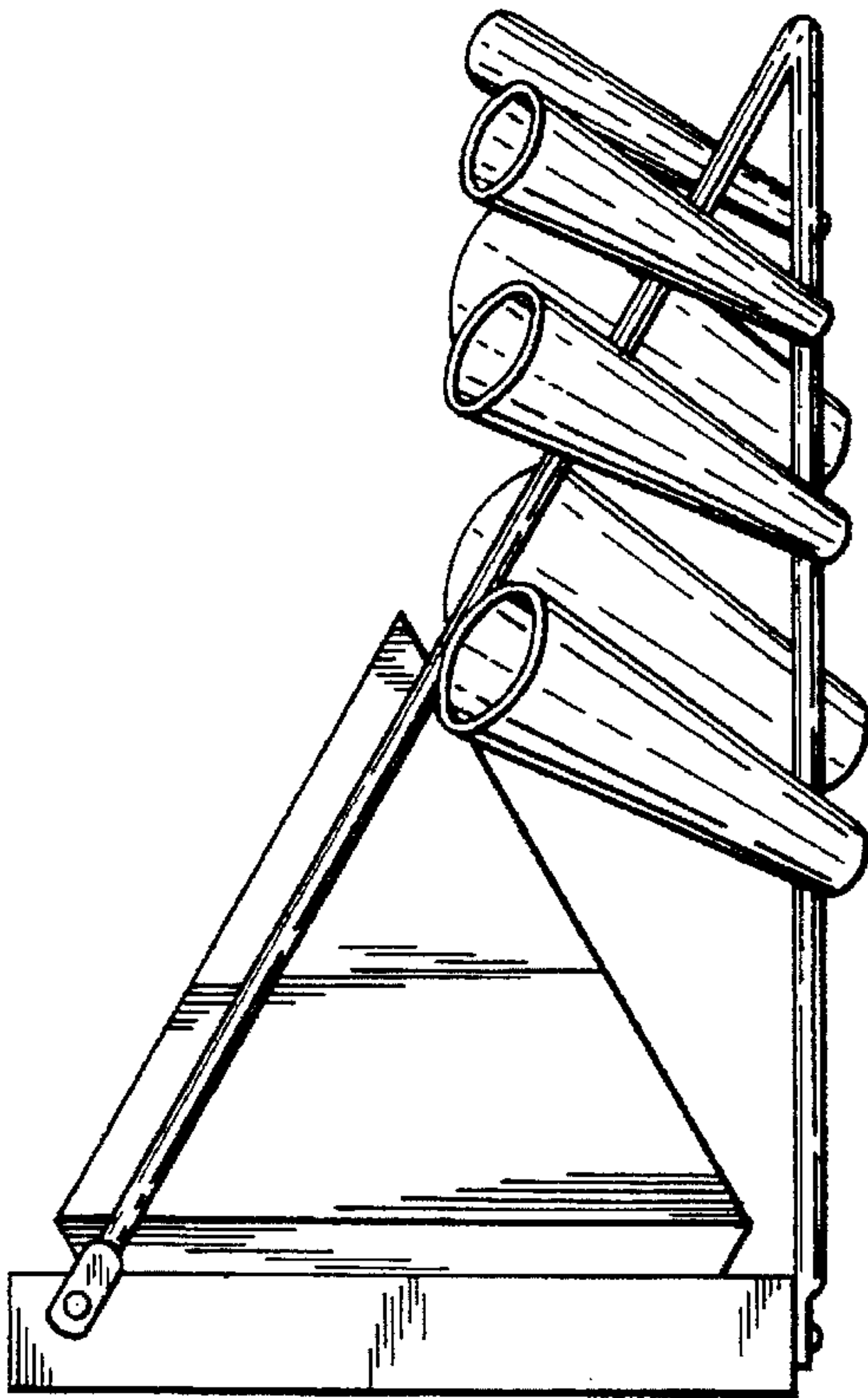


FIG. 5.

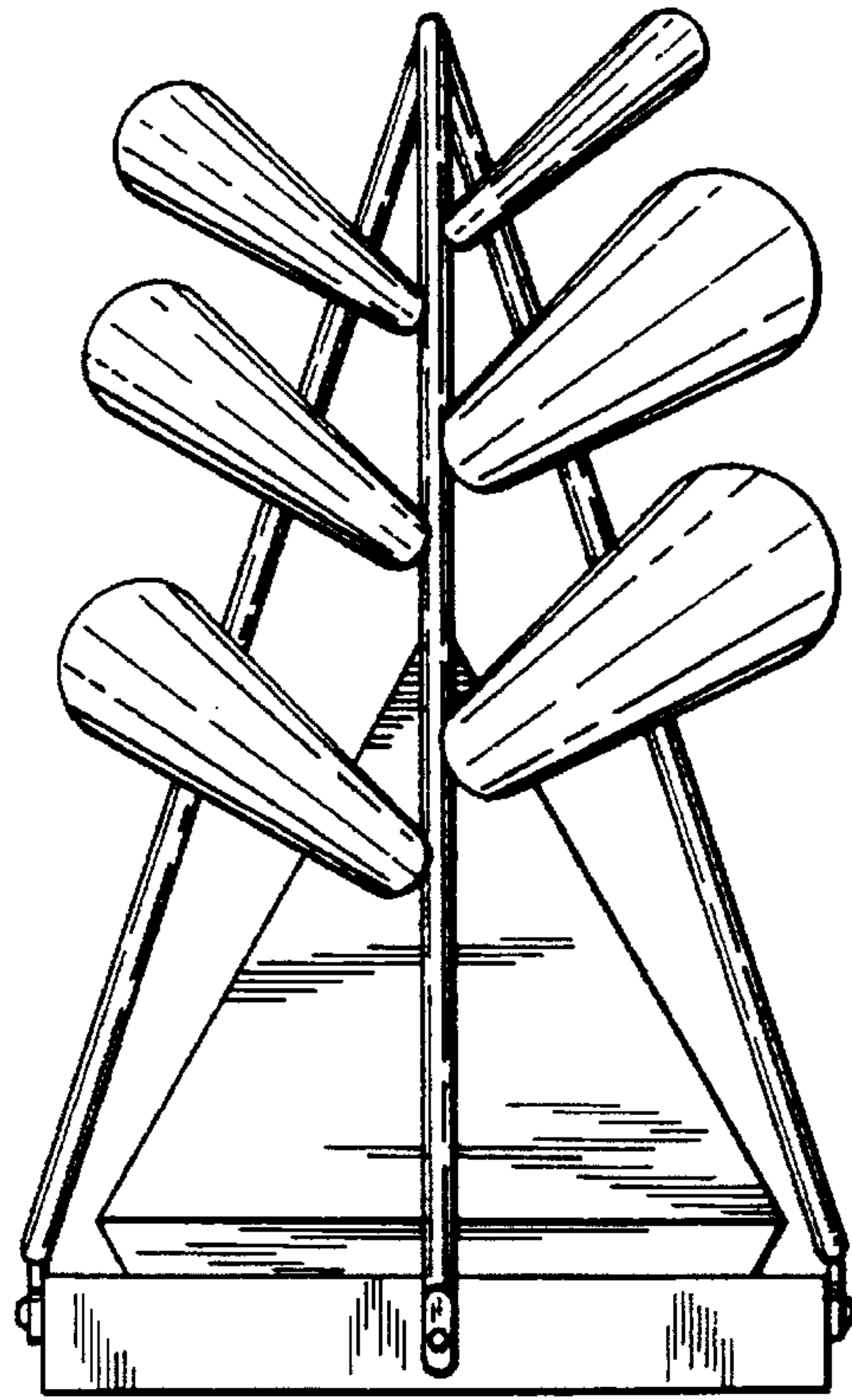


FIG. 6.

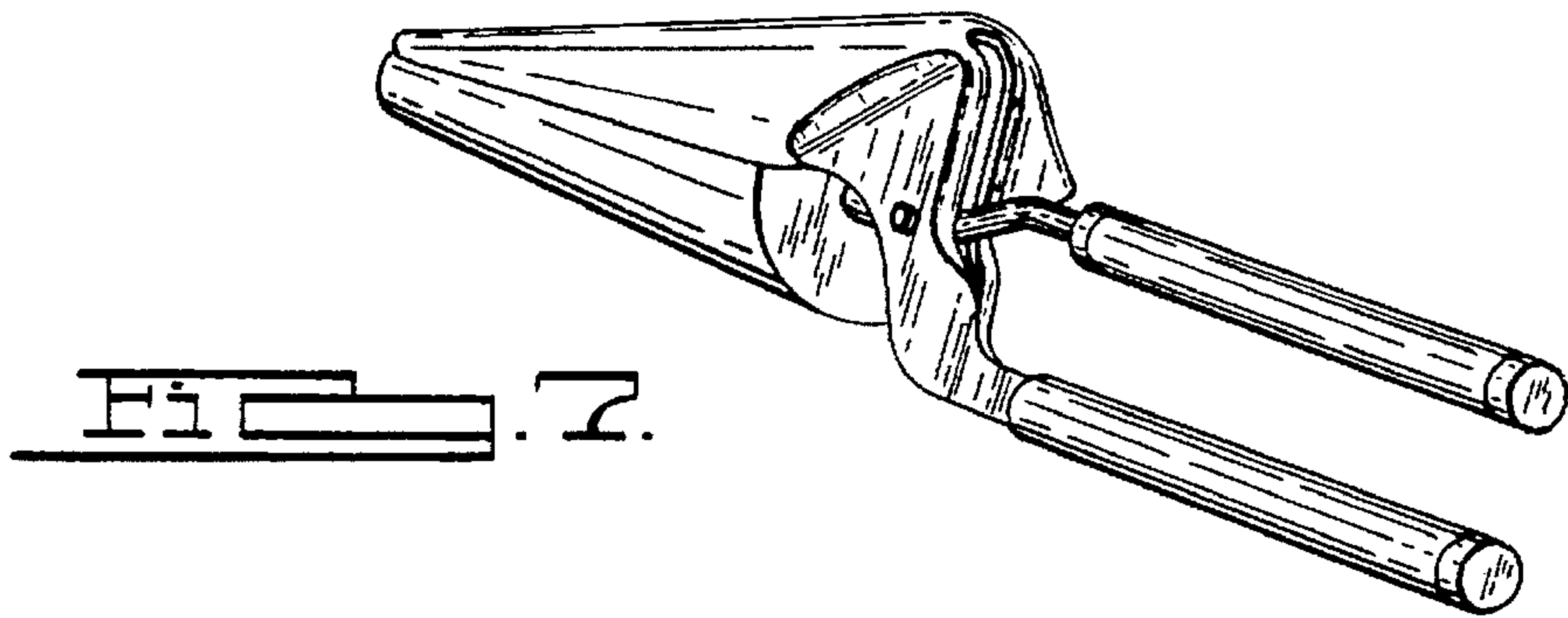


Fig. 7.

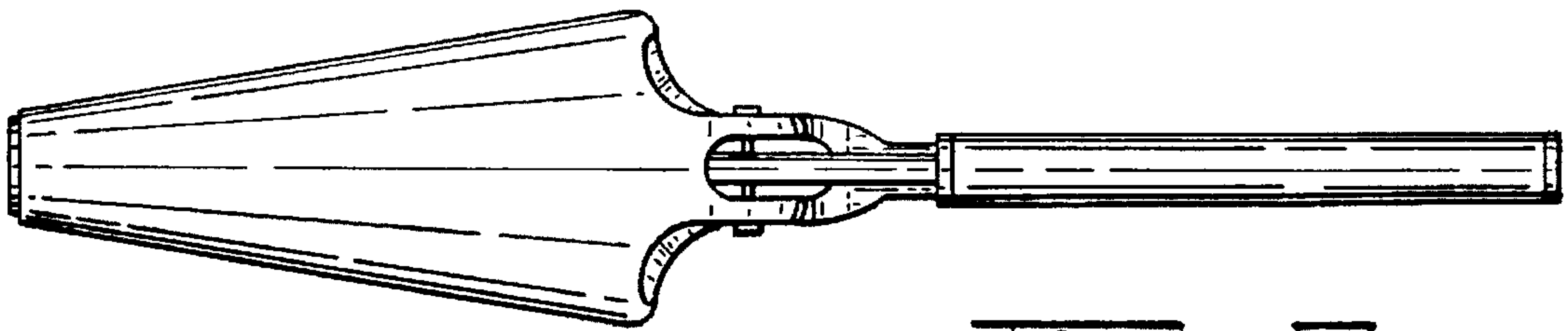


Fig. 8.

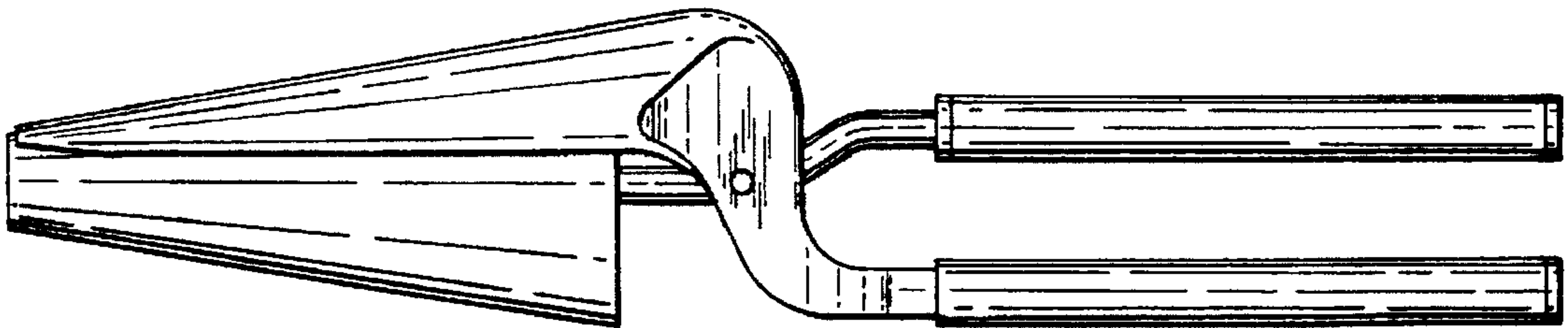


Fig. 9.

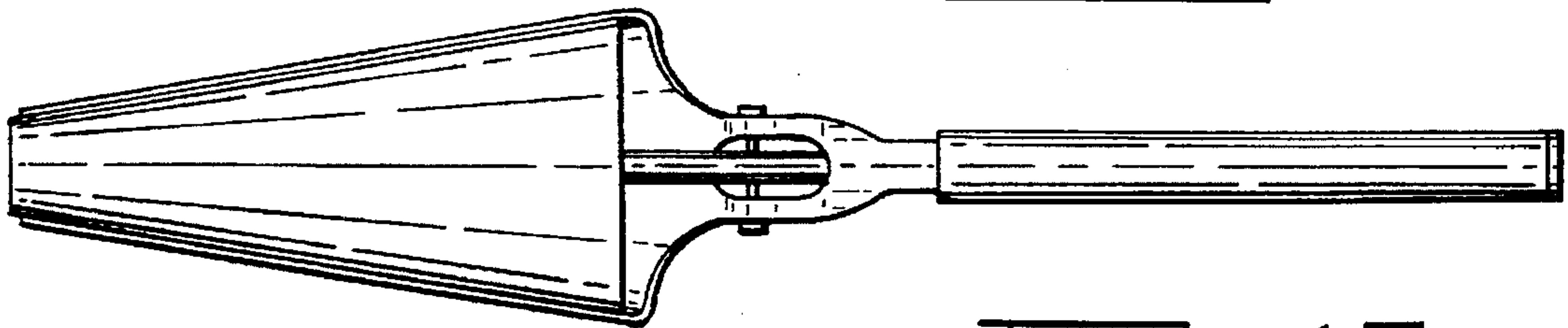


Fig. 10.

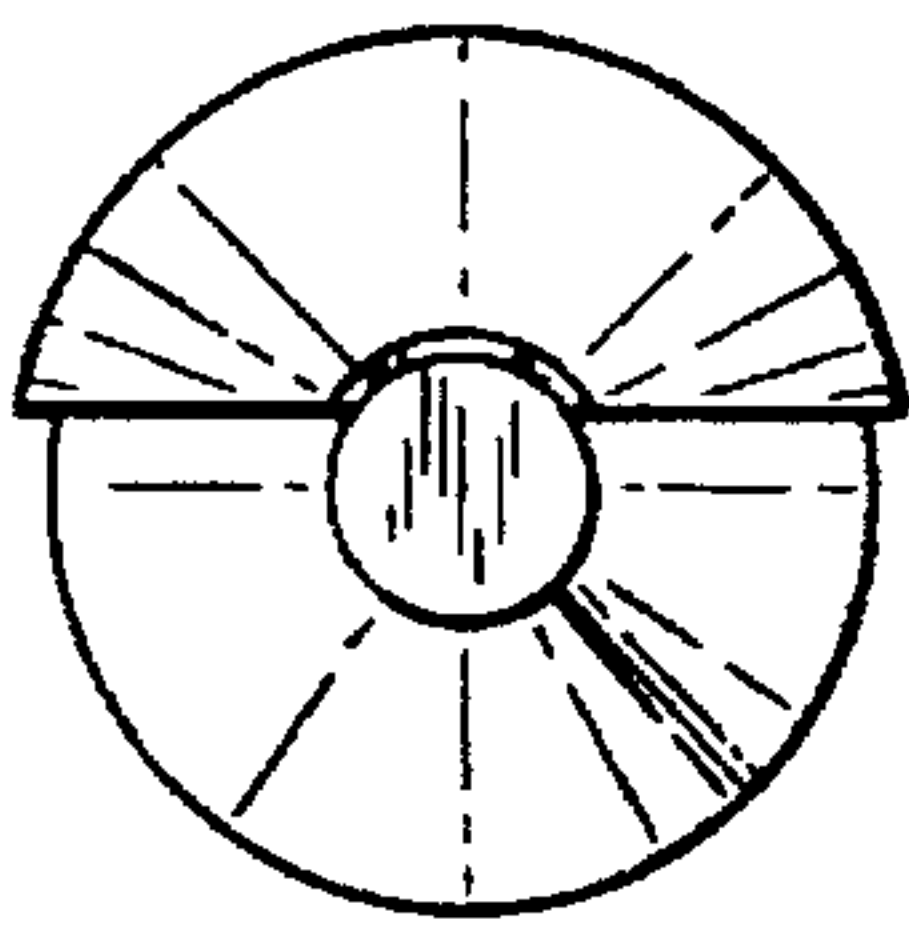


Fig. 11.

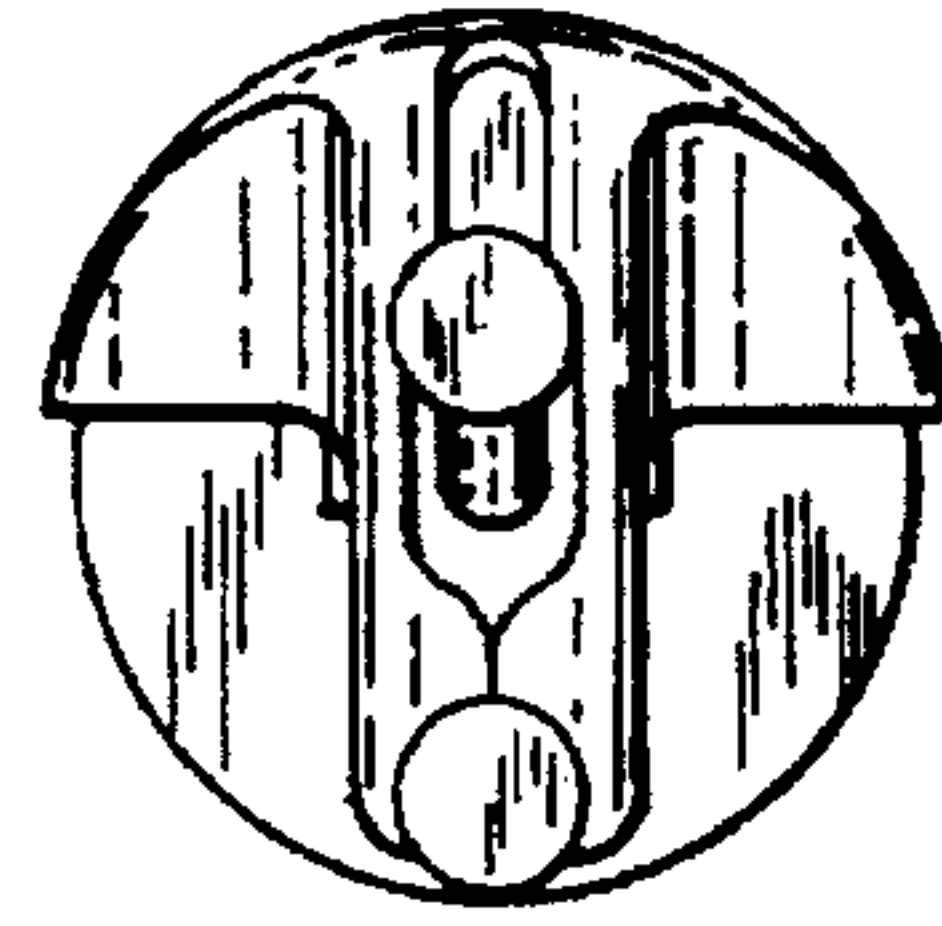


Fig. 12.