



US00D379553S

# United States Patent [19] DiGianni

[11] Patent Number: **Des. 379,553**

[45] Date of Patent: **\*\*May 27, 1997**

[54] CONTAINER FOR SMOKING ARTICLES

[75] Inventor: **John A. DiGianni**, New York, N.Y.

[73] Assignee: **British-American Tobacco Company Limited**, Middlesex, England

[\*\*] Term: **14 Years**

[21] Appl. No.: **53,222**

[22] Filed: **Apr. 17, 1996**

[30] Foreign Application Priority Data

Dec. 1, 1995 [GB] United Kingdom ..... 2052469

[51] LOC (6) Cl. .... **27-06**

[52] U.S. Cl. .... **D27/189**

[58] Field of Search ..... D27/189, 186,  
D27/172, 183, 191, 185, 174; 206/256,  
242, 251, 259, 261, 264, 265, 263; D3/247,  
251, 294, 901, 295; 262/263

[56] References Cited

### U.S. PATENT DOCUMENTS

- D. 54,979 4/1920 Blackmarr ..... D27/184
- D. 138,180 7/1944 Gordon ..... D3/295
- D. 139,041 10/1944 Morrison ..... D27/189 X
- D. 142,705 10/1945 Dawer ..... D27/189
- D. 144,278 3/1946 Wohl ..... D27/189
- D. 159,568 8/1950 Wolfenden ..... D27/175
- D. 255,038 5/1980 Itakura ..... D27/189 X
- D. 271,444 11/1983 LeVine ..... D3/295
- D. 273,427 4/1984 Barradas ..... D3/901 X
- D. 283,950 5/1986 Markowitz ..... D3/247

- D. 339,233 9/1993 Patrick ..... D3/901 X
- D. 352,601 11/1994 Dallaire ..... D3/901 X
- 951,592 3/1910 Chatellier ..... 206/256 X
- 1,485,221 2/1924 Gee ..... 262/263
- 1,926,839 9/1933 Denels ..... D27/189 X

*Primary Examiner*—Susan J. Lucas  
*Assistant Examiner*—Jennifer A. Register  
*Attorney, Agent, or Firm*—Kane, Dalsimer, Sullivan,  
Kurucz, Levy, Eisele and Richard

### [57] CLAIM

The ornamental design for a container for smoking articles, as shown and described.

### DESCRIPTION

FIG. 1 is a front perspective view from above and one side of the container for smoking articles showing our new design;

FIG. 2 is a front view of the container for smoking articles shown in FIG. 1;

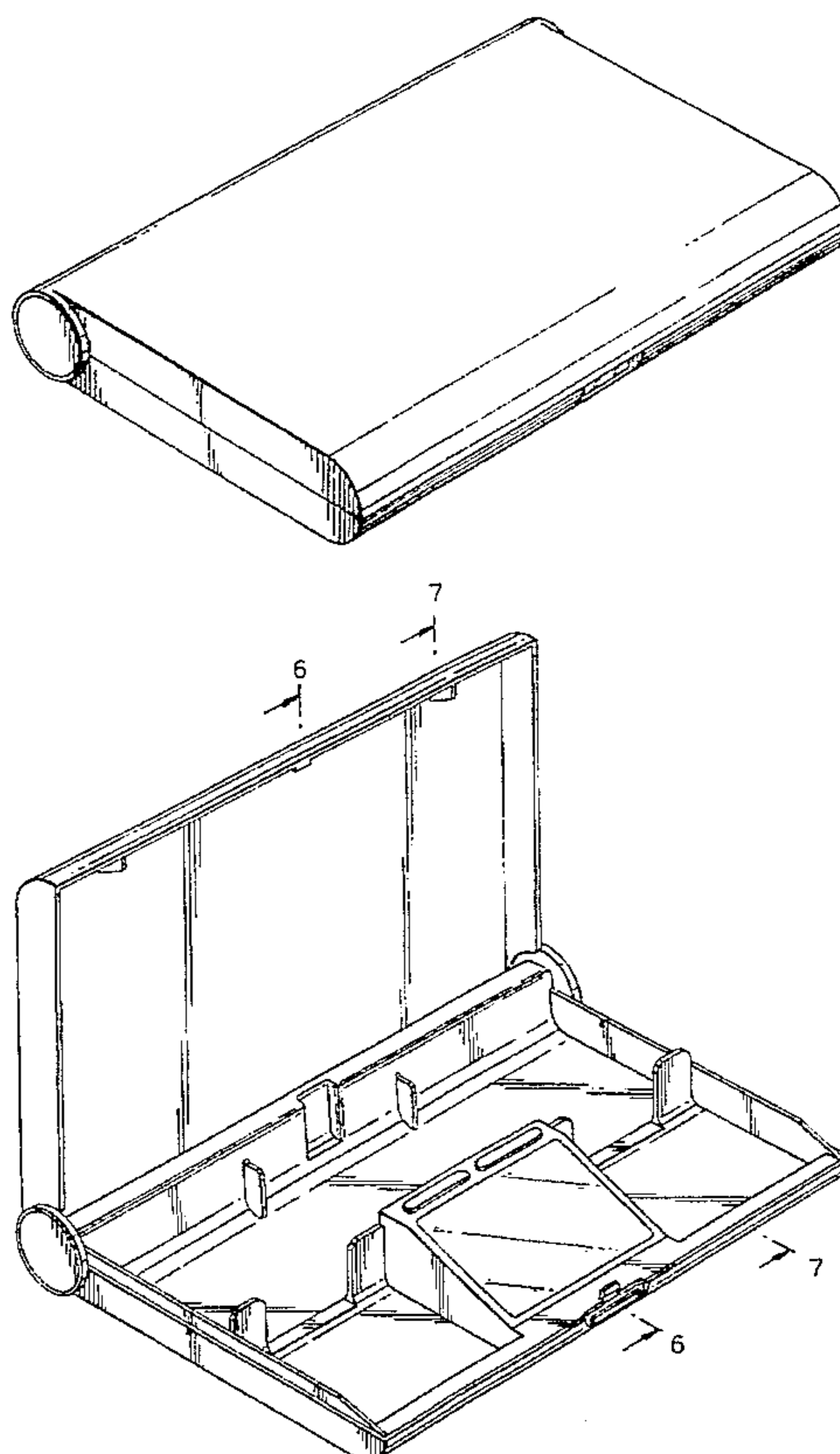
FIG. 3 is a bottom view showing the bottom of the container for smoking articles of FIG. 1, which is not seen in FIG. 1; FIG. 4 is the side view of the container for smoking article packs shown in FIG. 1 with the opposite side being a mirror image;

FIG. 5 is a view-in-perspective of the container for smoking articles of FIG. 1, shown from above and one side of the box, shown in an open position;

FIG. 6 is a cross-sectional view along lines 6—6 of FIG. 1; and,

FIG. 7 is a cross-sectional view along lines 7—7 of FIG. 1.

**1 Claim, 4 Drawing Sheets**



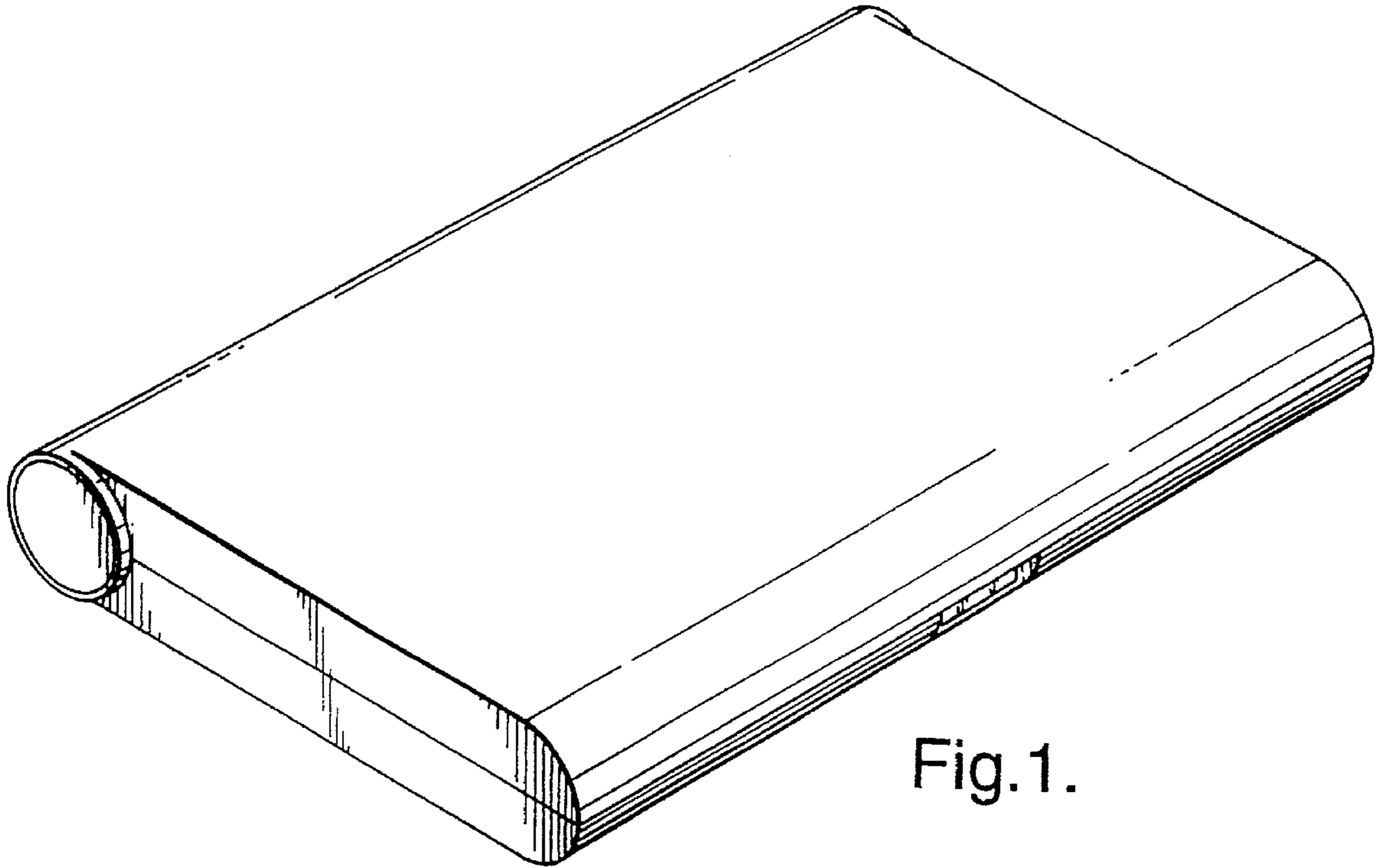


Fig.1.

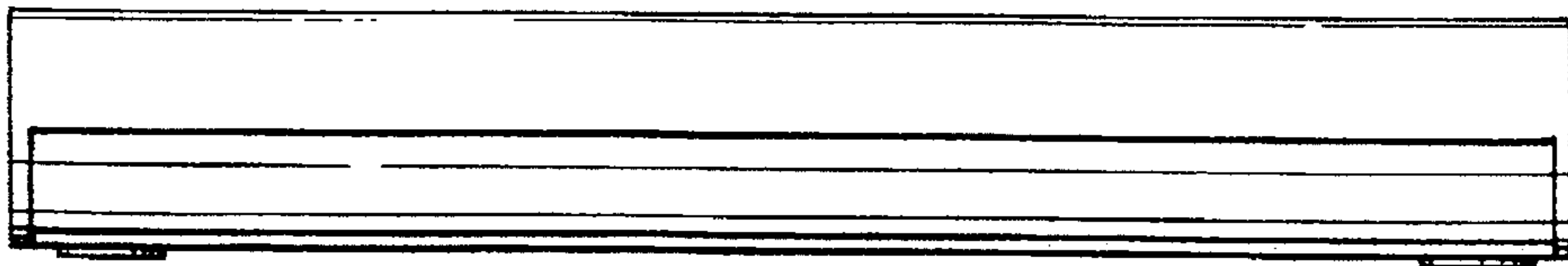


Fig.2.

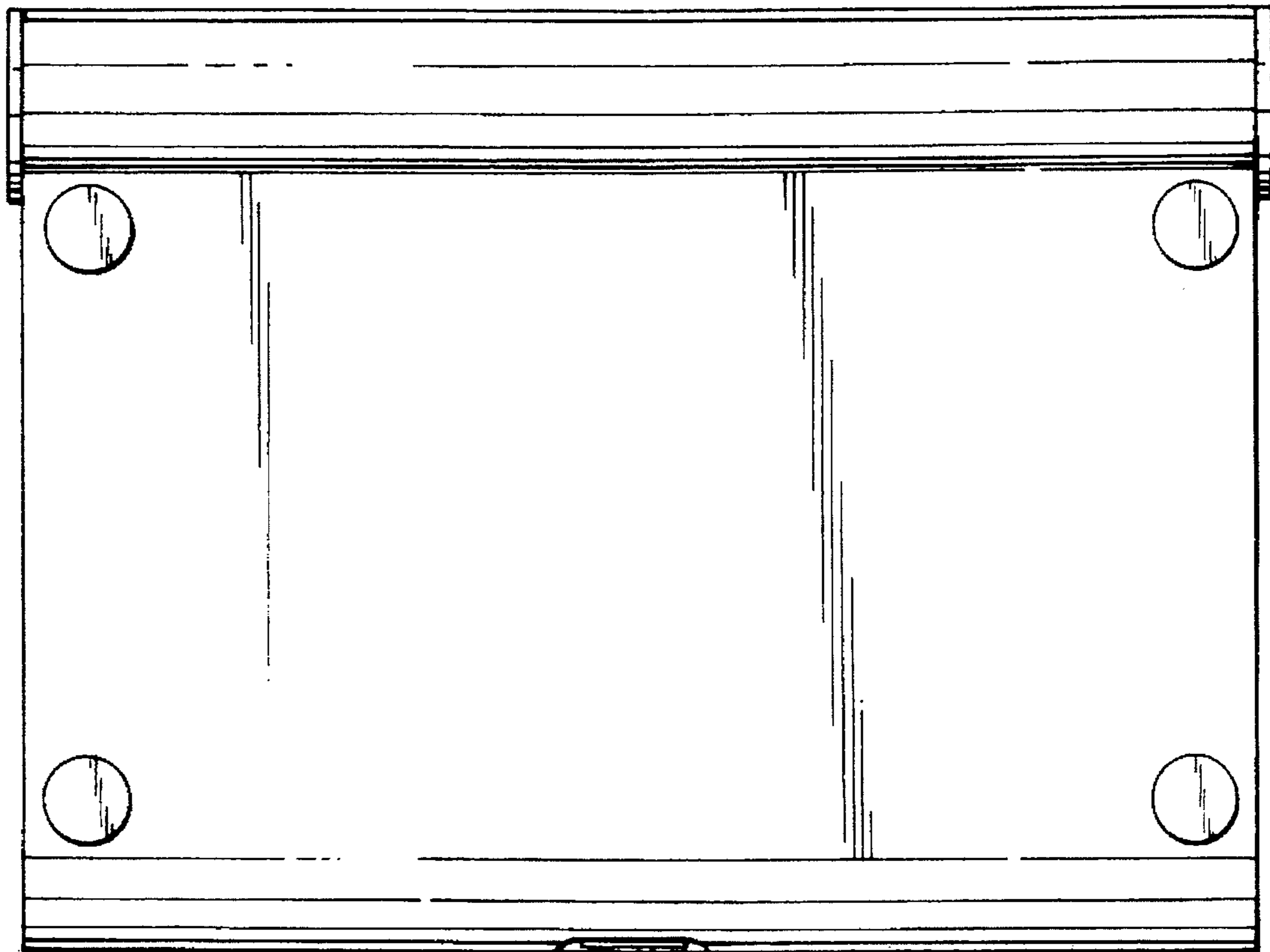


Fig.3.

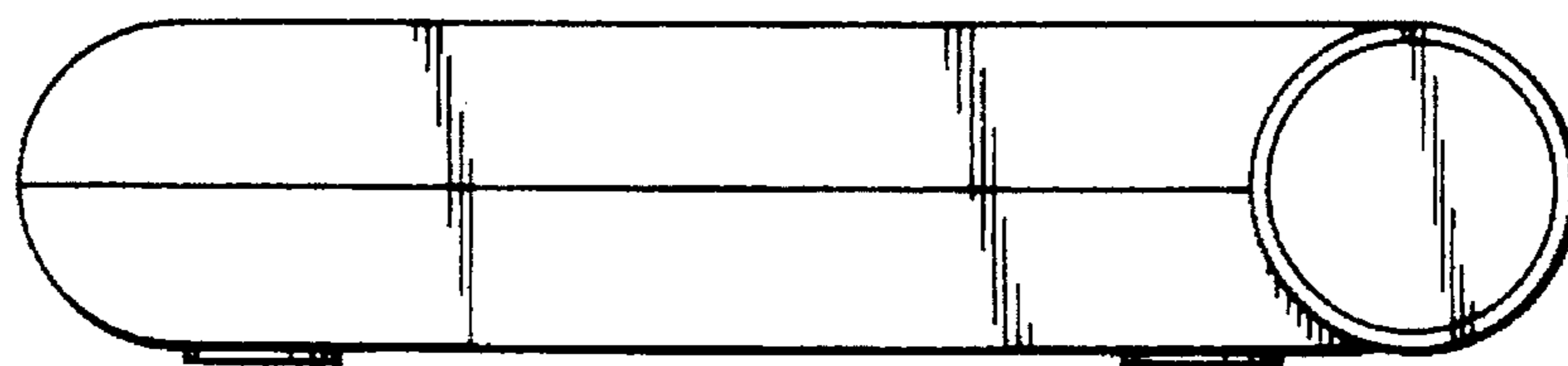


Fig.4.

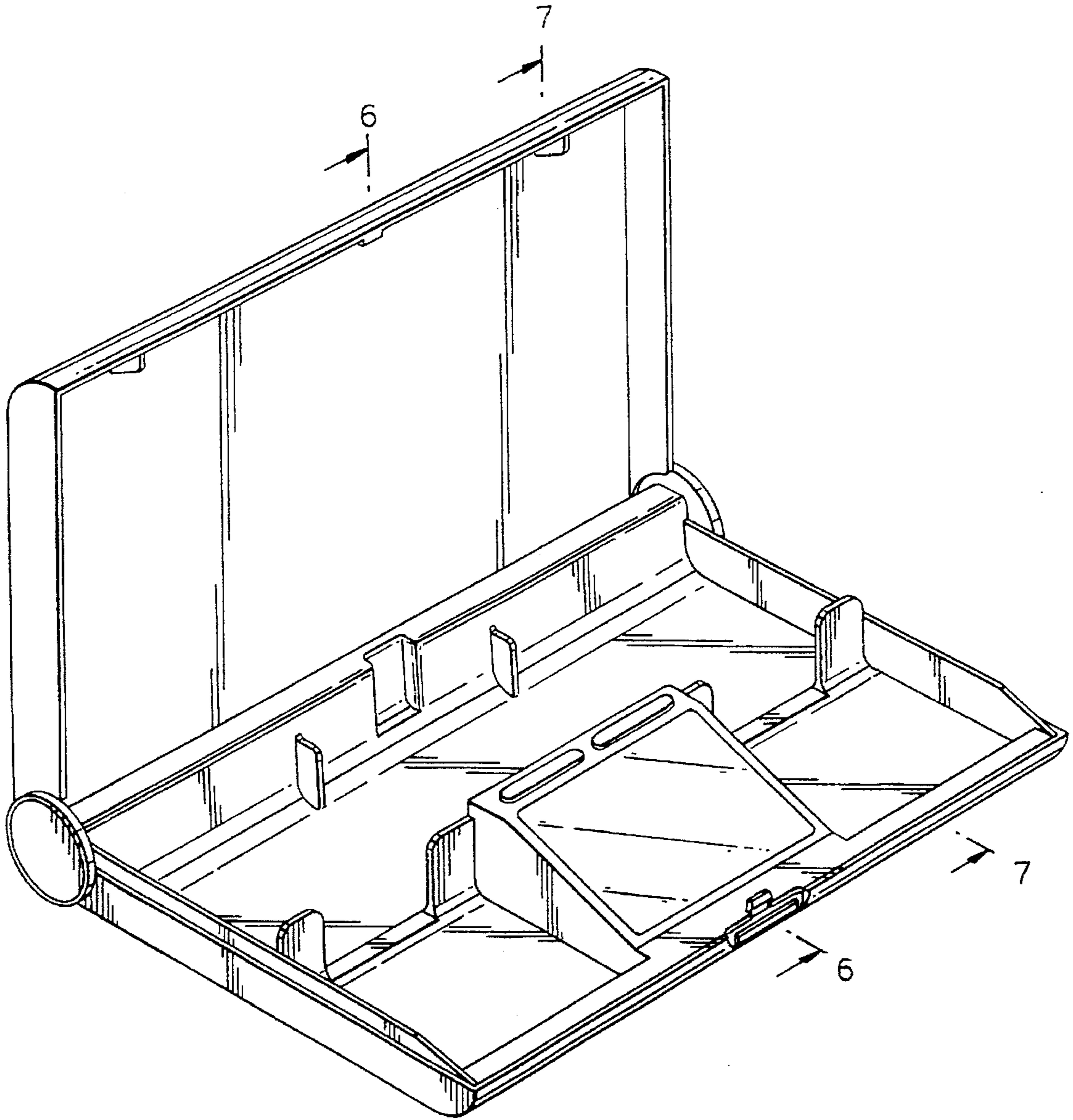


Fig.5.



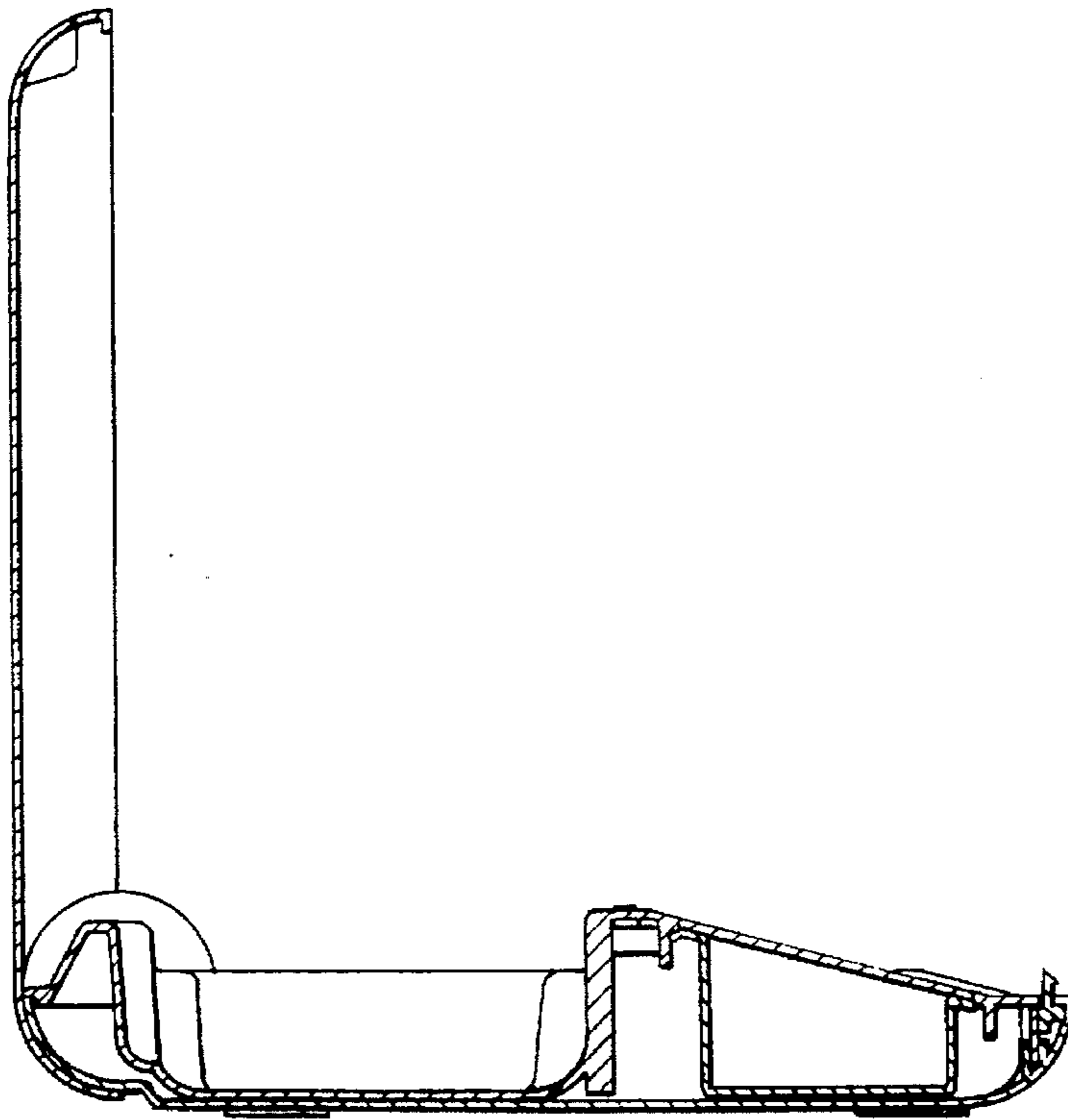


Fig.6.

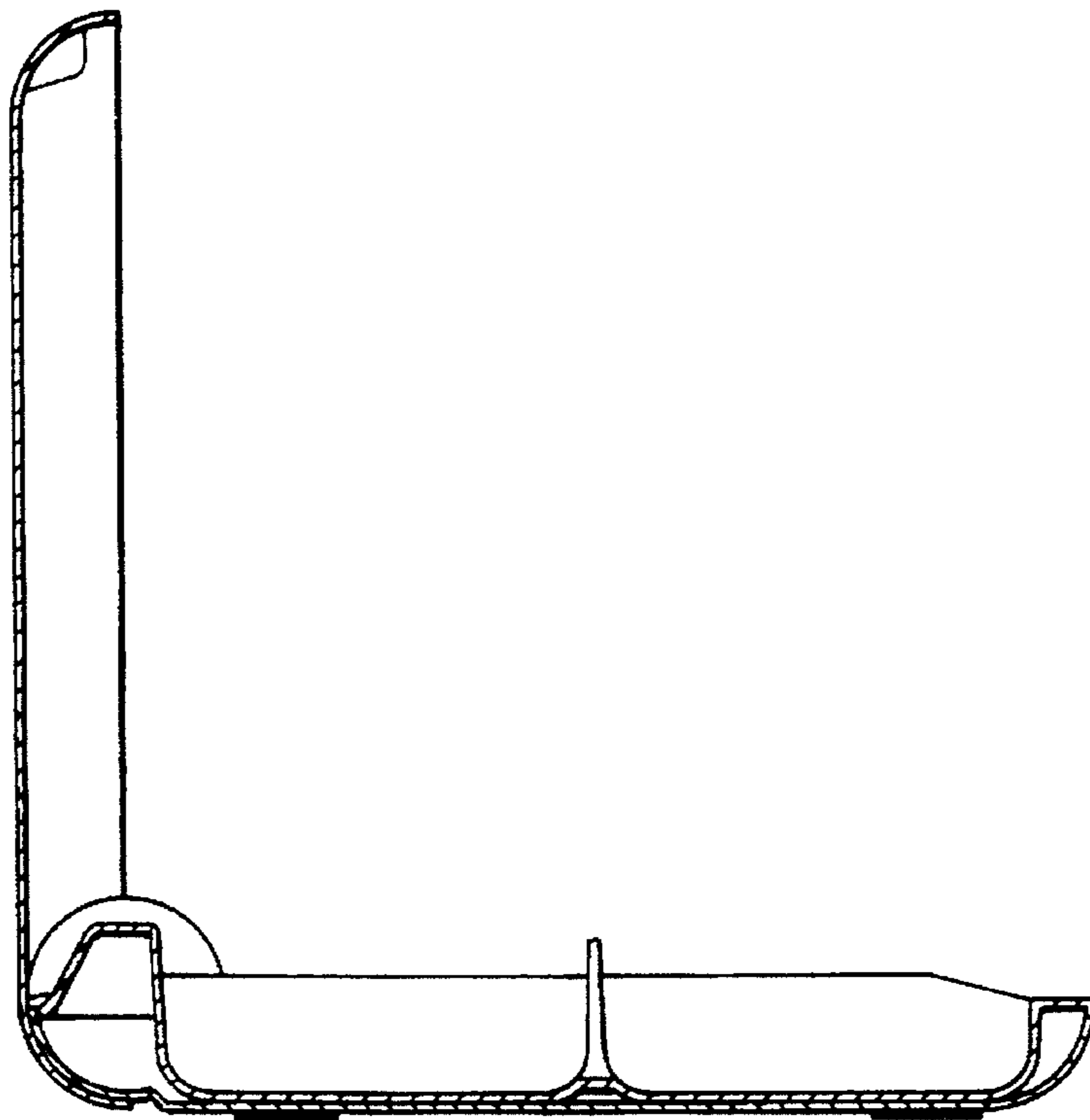


Fig.7.