



US00D379552S

United States Patent [19]

Vokebe

[11] Patent Number: **Des. 379,552**

[45] Date of Patent: ****May 27, 1997**

[54] CIGAR BOX

2,019,235 10/1935 Parkin 262/263 X
2,528,743 11/1950 Eggebrecht 206/265 X

[76] Inventor: **Adorian Vokebe**, 6130 Laird St.,
Oakland, Calif. 94605

Primary Examiner—Susan J. Lucas
Assistant Examiner—Jennifer A. Register
Attorney, Agent, or Firm—Larry D. Johnson

[**] Term: **14 Years**

[57] **CLAIM**

[21] Appl. No.: **52,956**

The ornamental design for a cigar box, as shown and described.

[22] Filed: **Apr. 22, 1996**

[51] LOC (6) Cl. **27-06**

[52] U.S. Cl. **D27/189**

[58] Field of Search D27/189, 186,
D27/171, 172, 183, 191; D3/239, 232,
242, 251, 294; 206/242, 251, 256, 261,
264, 265, 257, 259; 262/263

DESCRIPTION

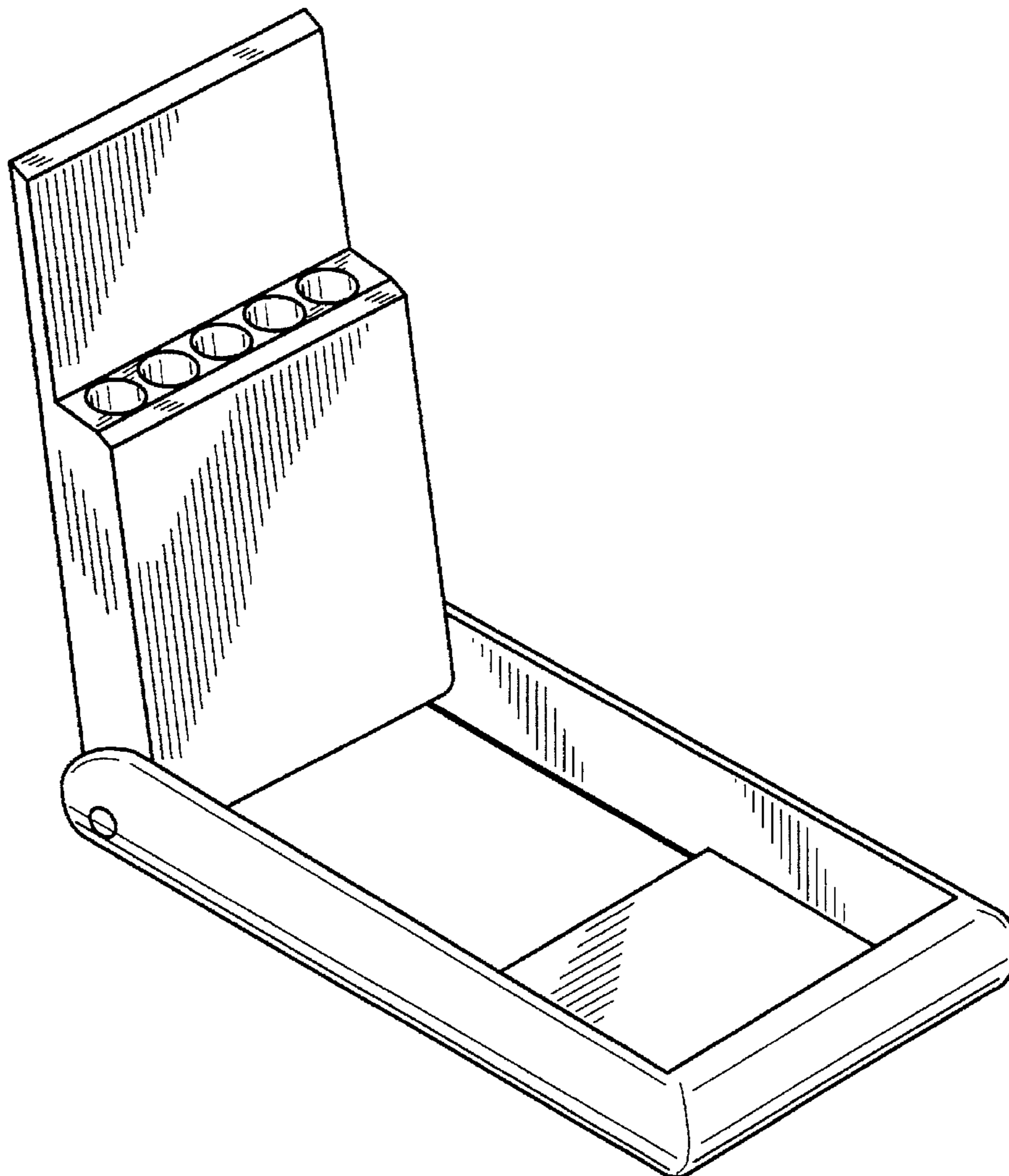
FIG. 1 is an upper frontal left perspective view showing my new design;
FIG. 2 is an upper frontal left perspective view thereof with the case in the opened condition;
FIG. 3 is a front elevational view thereof;
FIG. 4 is a side elevational view thereof, both sides being identical;
FIG. 5 is a rear elevational view thereof;
FIG. 6 is a top plan view thereof; and,
FIG. 7 is a bottom plan view thereof.

[56] **References Cited**

U.S. PATENT DOCUMENTS

D. 284,606	7/1986	Koontz	D27/189
1,192,707	7/1916	Thorndike	206/251
1,574,566	2/1926	Fiske	206/265
1,598,316	8/1926	Scharling	206/265 X

1 Claim, 2 Drawing Sheets



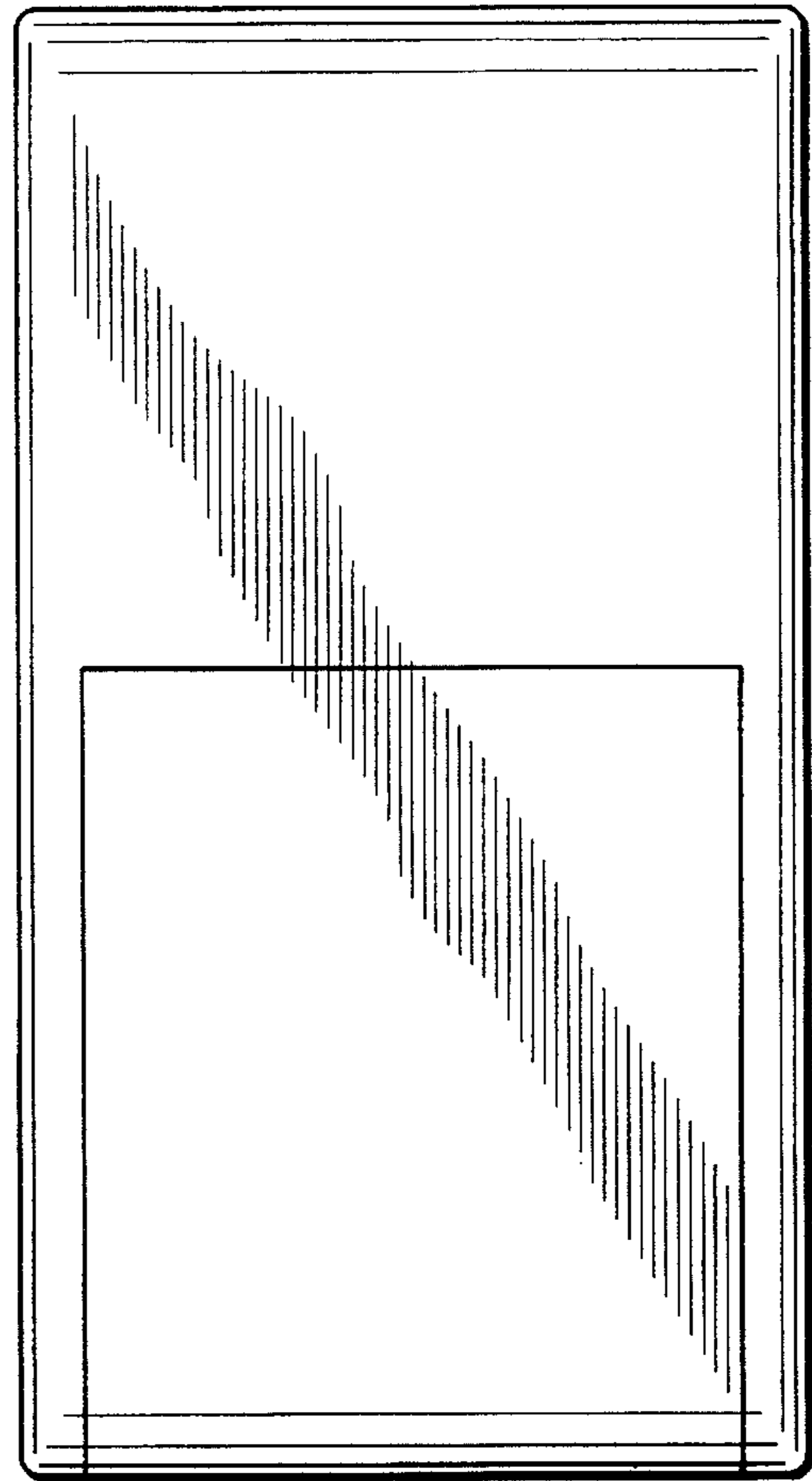
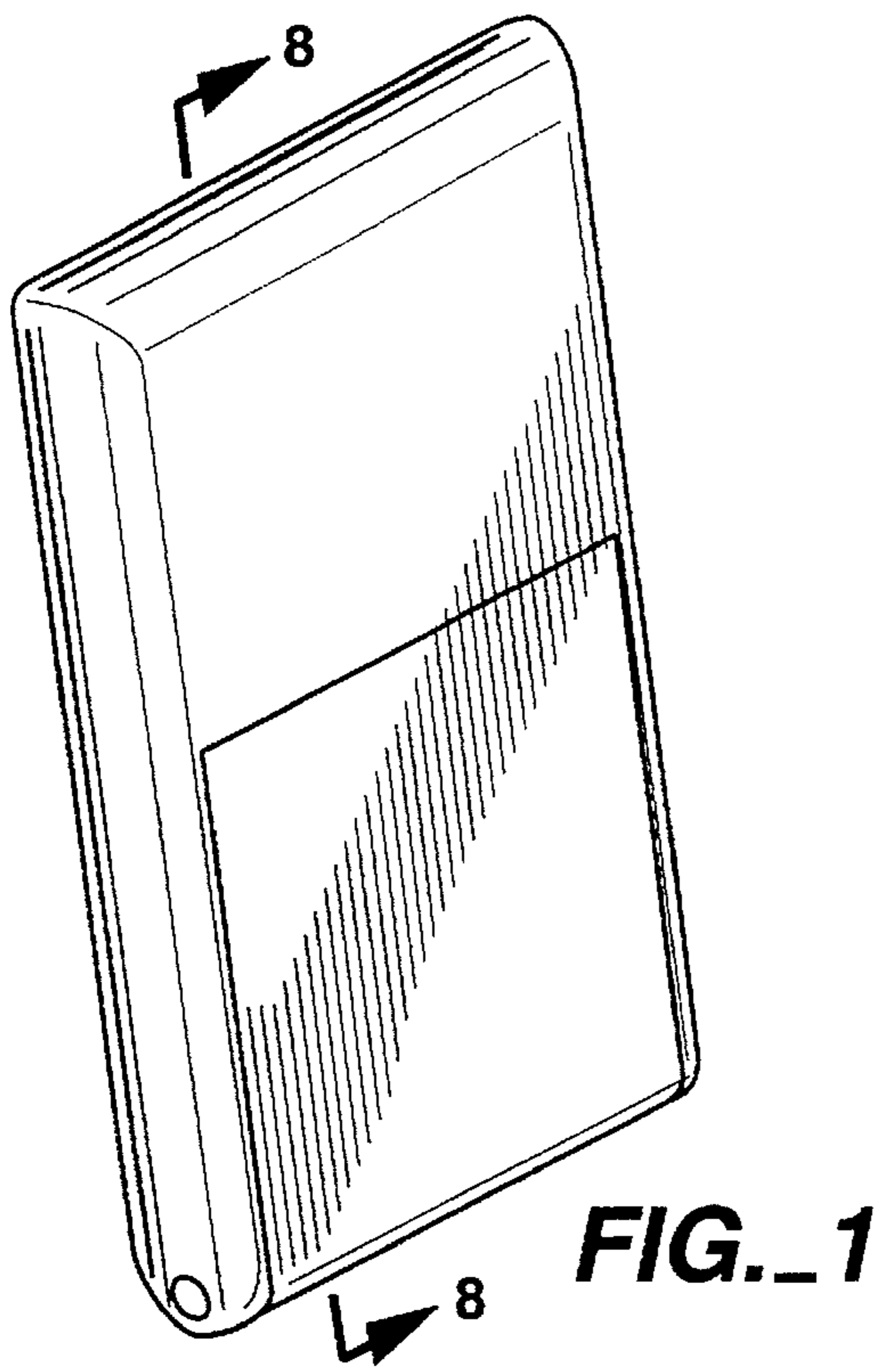


FIG. 3

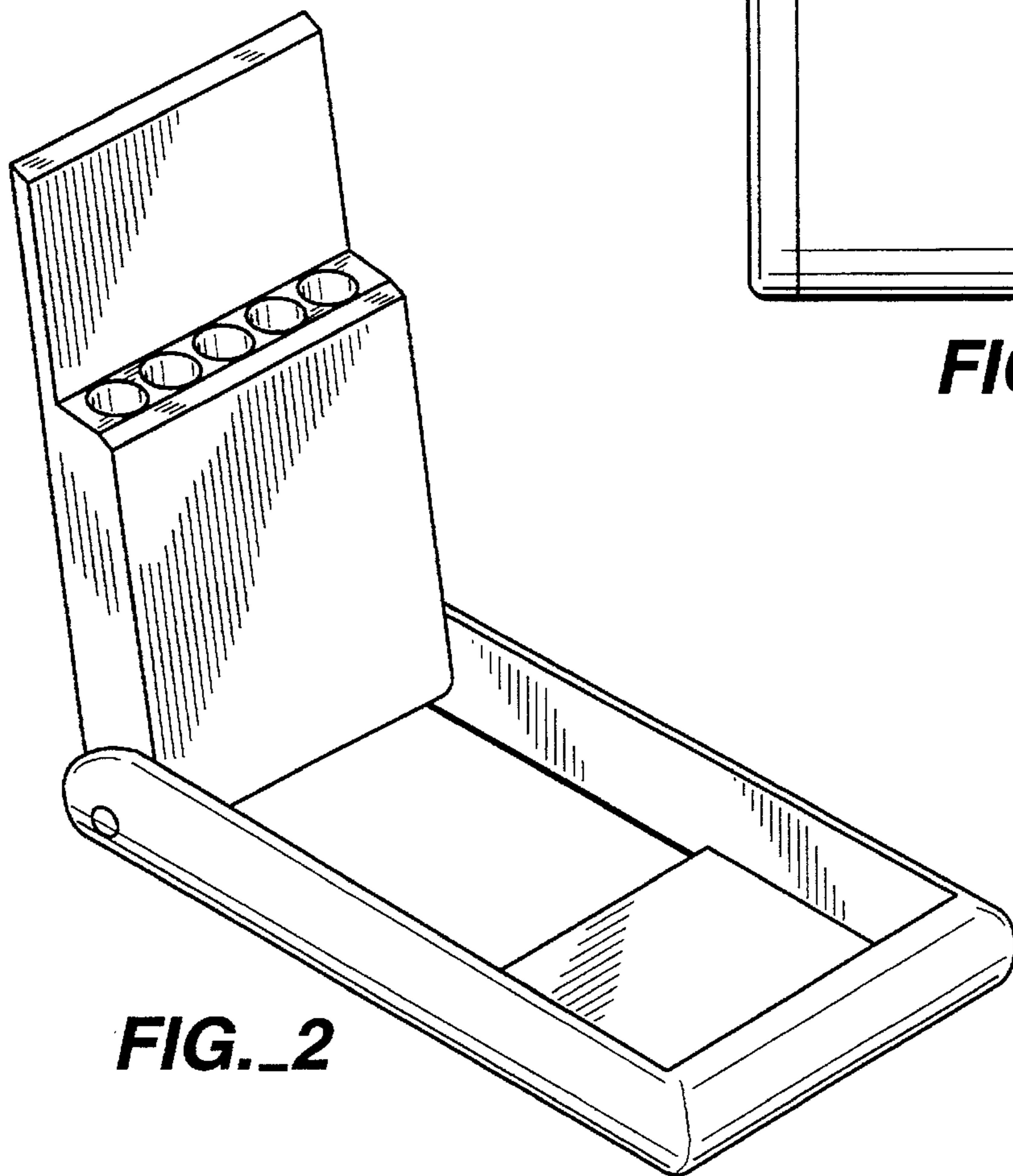


FIG. 2

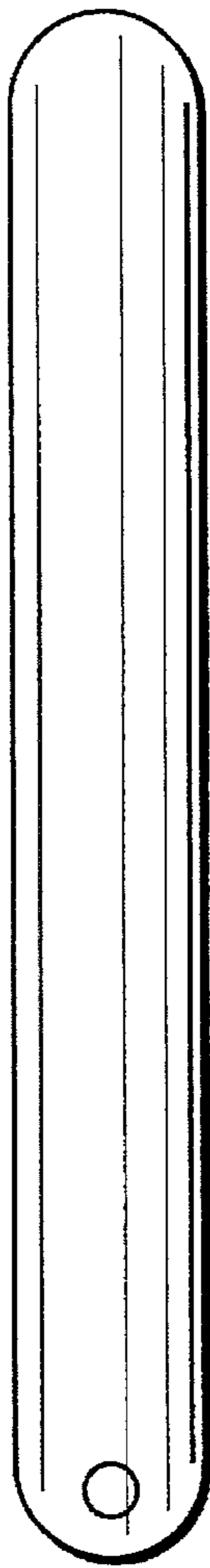


FIG._4

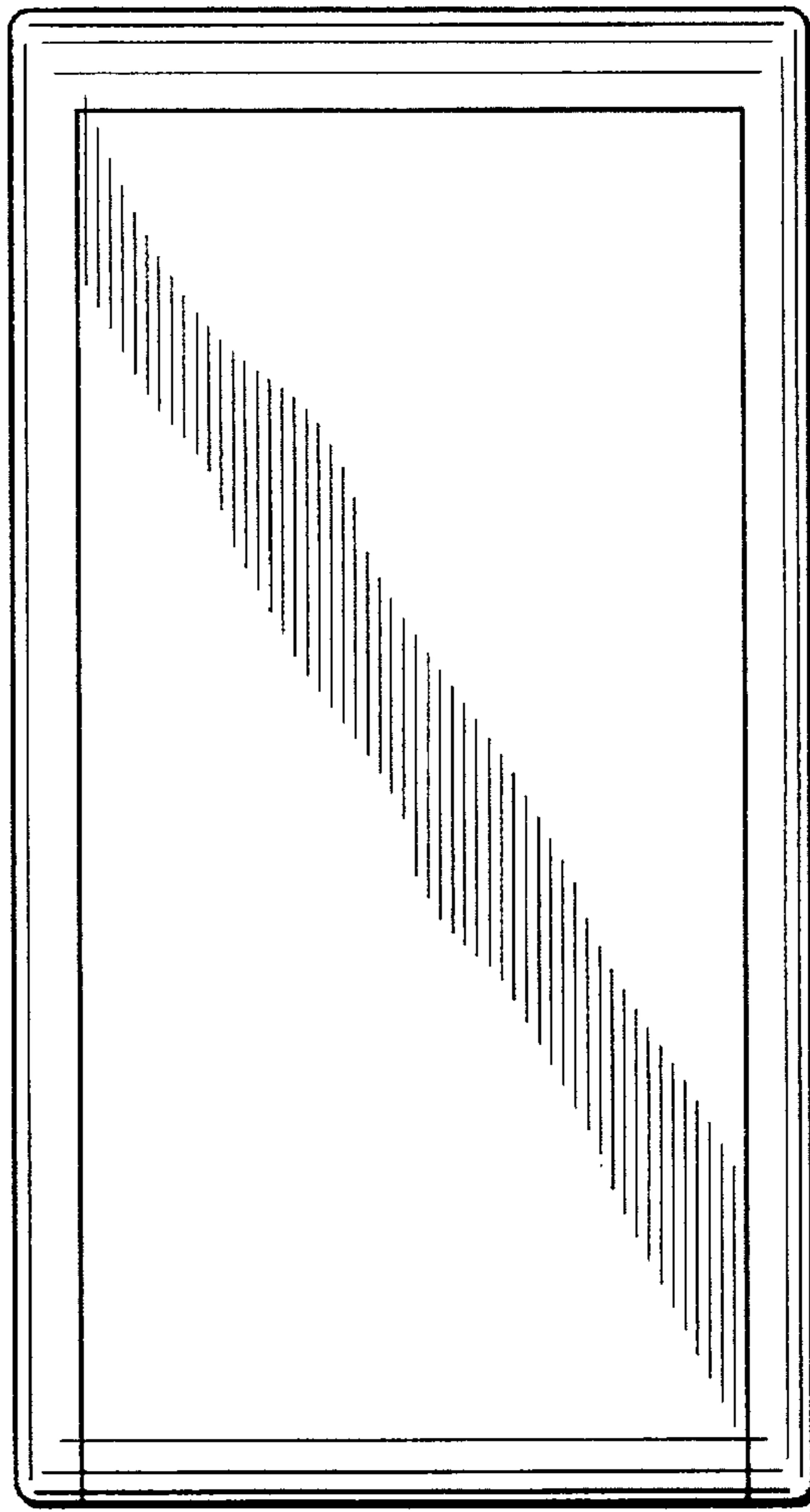


FIG._5

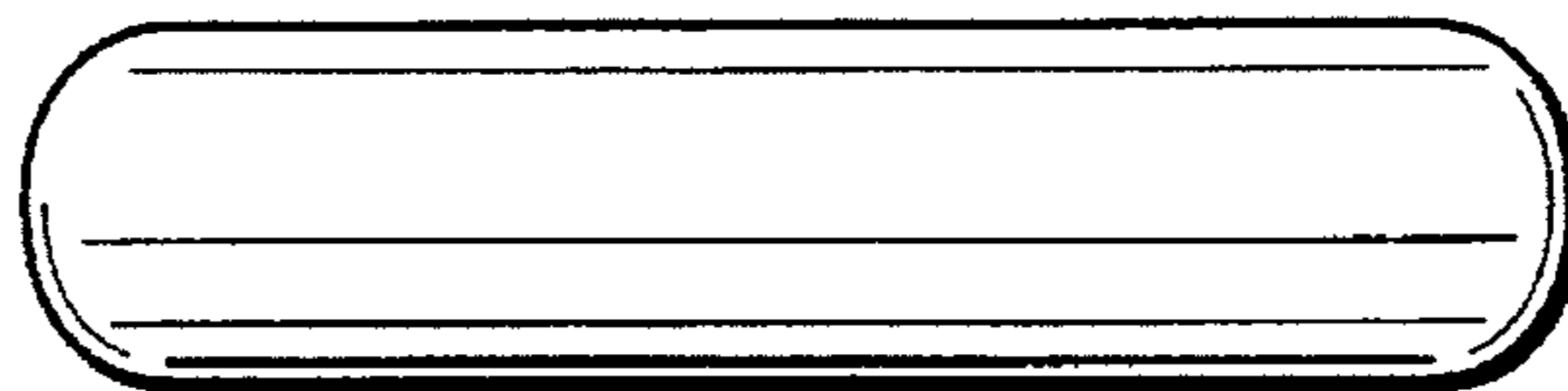


FIG._6

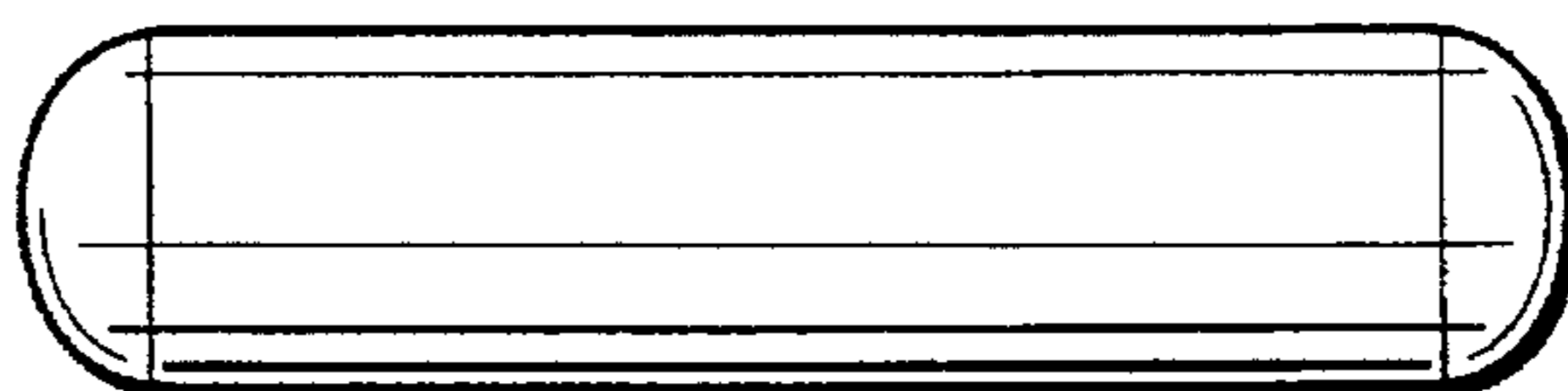


FIG._7