



US00D379550S

United States Patent [19]

Kuo

[11] **Patent Number: Des. 379,550**

[45] **Date of Patent: **May 27, 1997**

[54] **DECORATIVE DIFFUSER GLOBE FOR ENCLOSING A LIGHT BULB**

[76] **Inventor: Weiwu A. Kuo, 17915 Sky Park Cir. #G, Irvine, Calif. 92714**

[**] **Term: 14 Years**

[21] **Appl. No.: 40,925**

[22] **Filed: Jun. 28, 1995**

[51] **LOC (6) Cl. 26-05**

[52] **U.S. Cl. D26/131; D26/118**

[58] **Field of Search D26/118, 128-137, D26/72, 80-86, 88, 90, 2; 362/806, 147, 404-408, 351, 352, 367, 326, 329, 333, 335, 336, 337, 338, 339, 340**

[56] **References Cited**

U.S. PATENT DOCUMENTS

- D. 209,751 1/1968 Jeruss D26/130 X
- D. 280,446 9/1985 Ishii D26/130

- 3,006,251 10/1961 Wells 362/339 X
- 3,259,740 7/1966 Burnbaum 362/338
- 3,531,636 9/1970 Birch D26/2 X
- 5,079,645 1/1992 Ritter 362/806 X
- 5,361,192 11/1994 Lai 362/237 X

Primary Examiner—Susan J. Lucas
Attorney, Agent, or Firm—W. Wayne Liauh

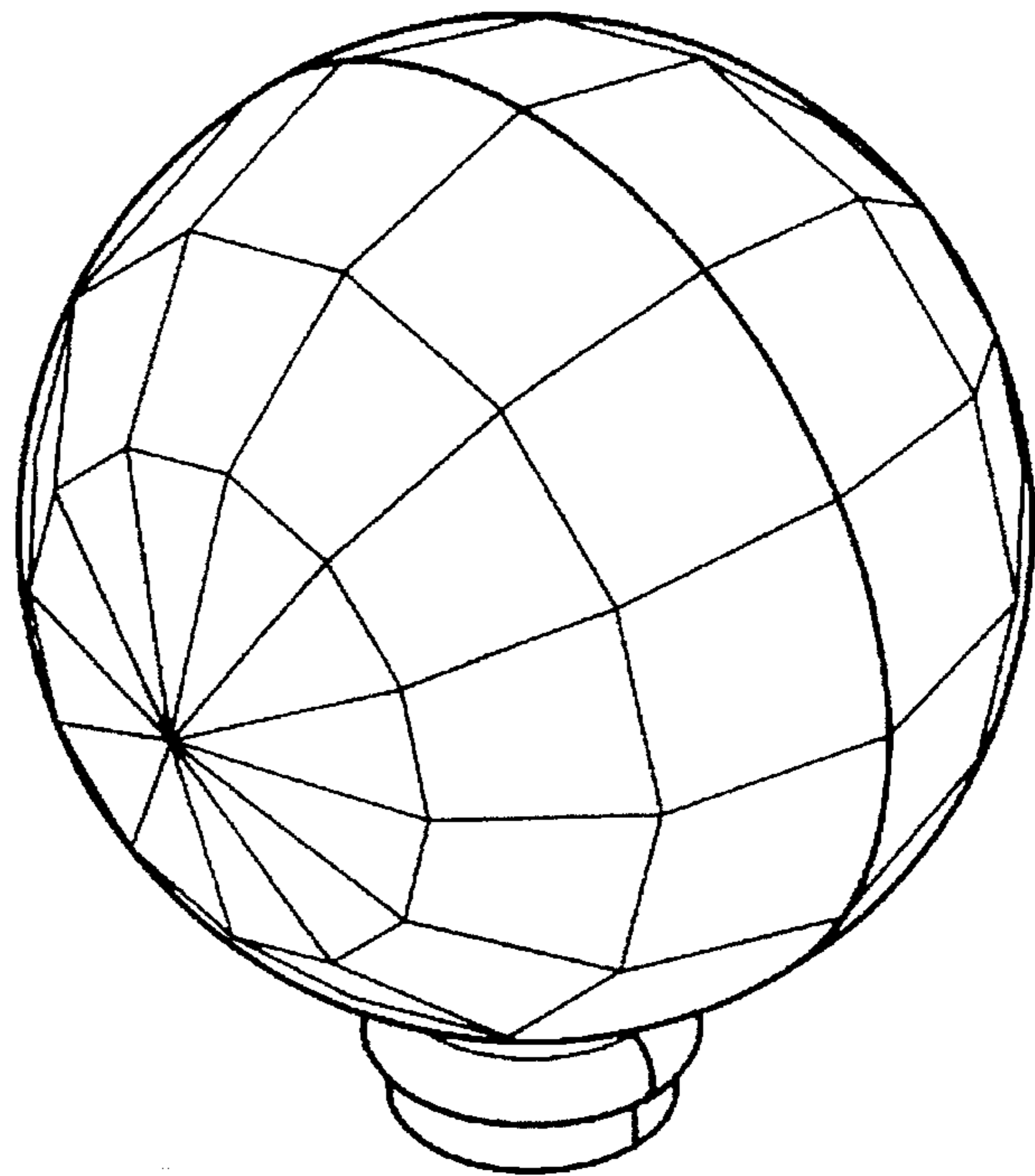
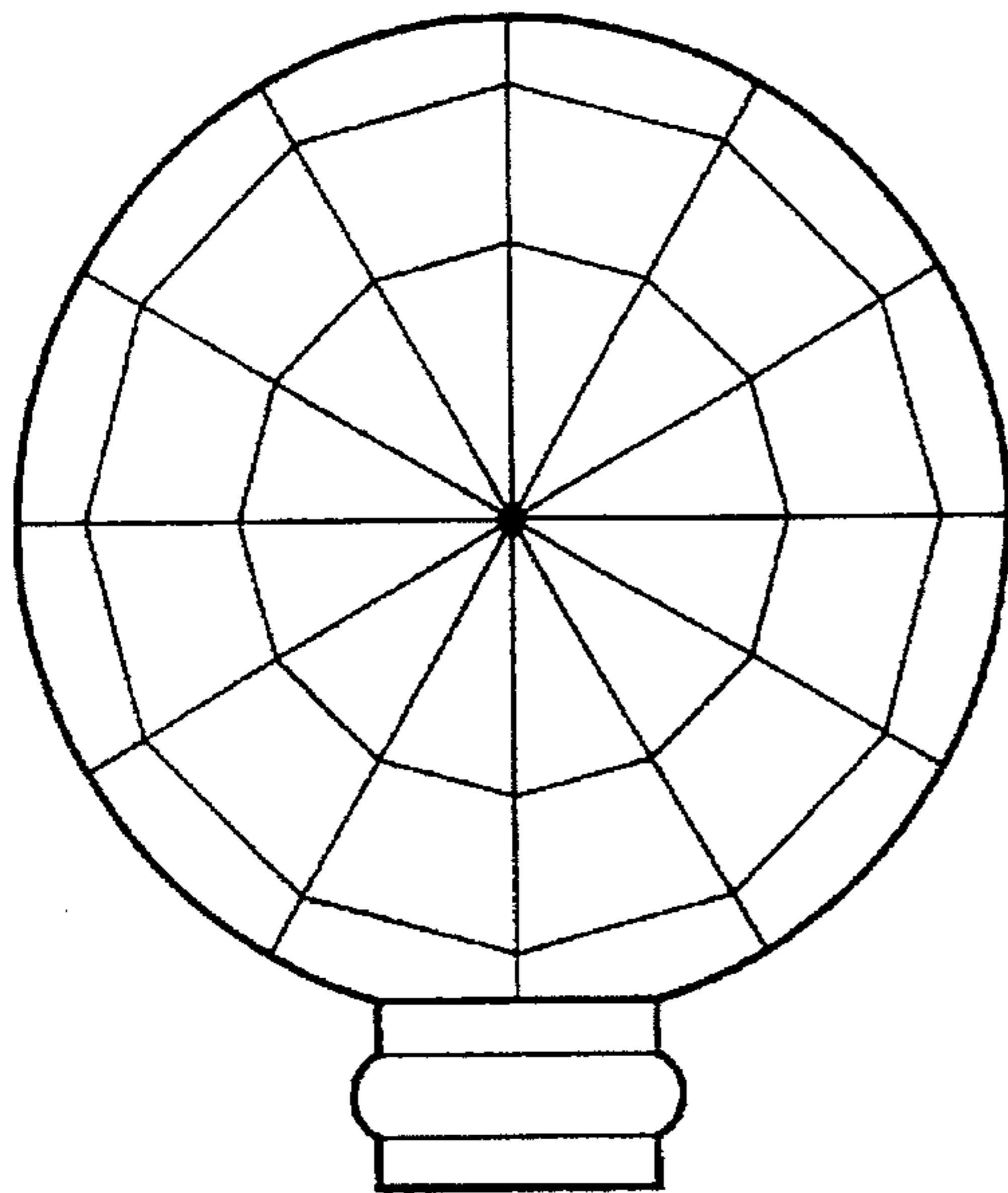
[57] **CLAIM**

The ornamental design for a decorative diffuser globe for enclosing a light bulb, as shown.

DESCRIPTION

FIG. 1 is a front elevational view;
FIG. 2 is a left side elevational view;
FIG. 3 is a right side elevational view;
FIG. 4 is a top plan view;
FIG. 5 is a bottom plan view;
FIG. 6 is a rear elevational view;
FIG. 7 is a perspective view; and,
FIG. 8 is a perspective exploded view.

1 Claim, 8 Drawing Sheets



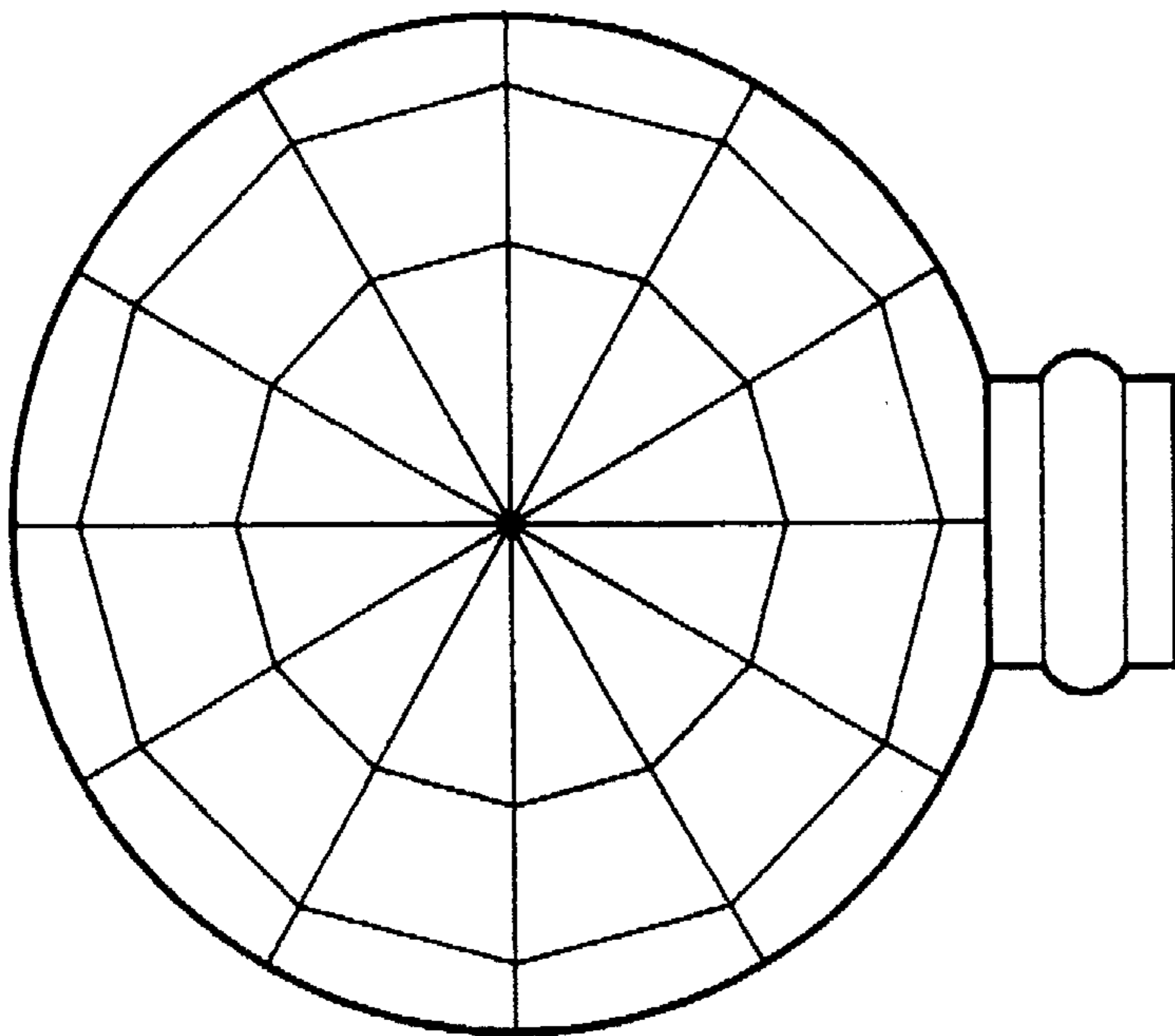


Fig. 1

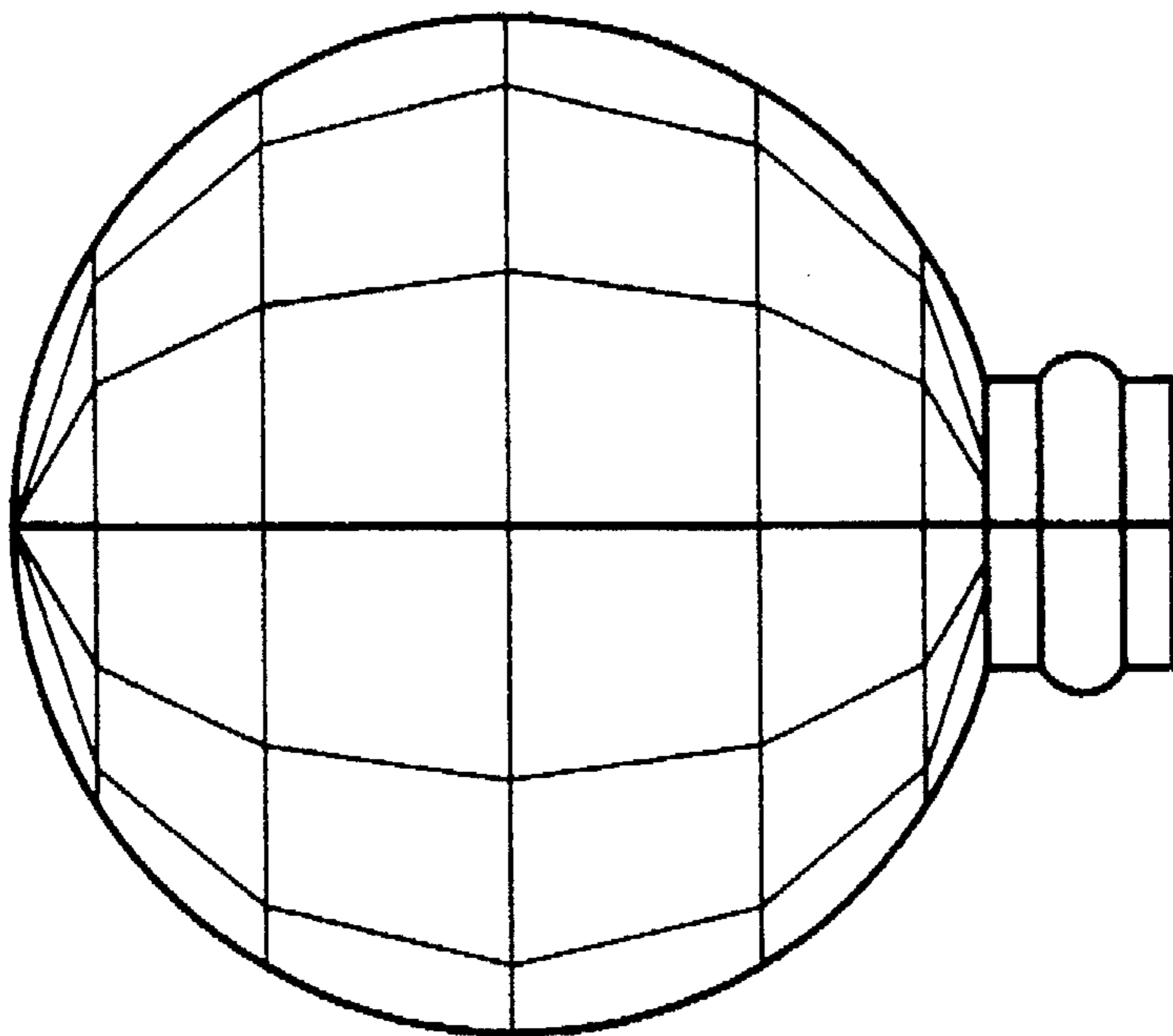


Fig. 2

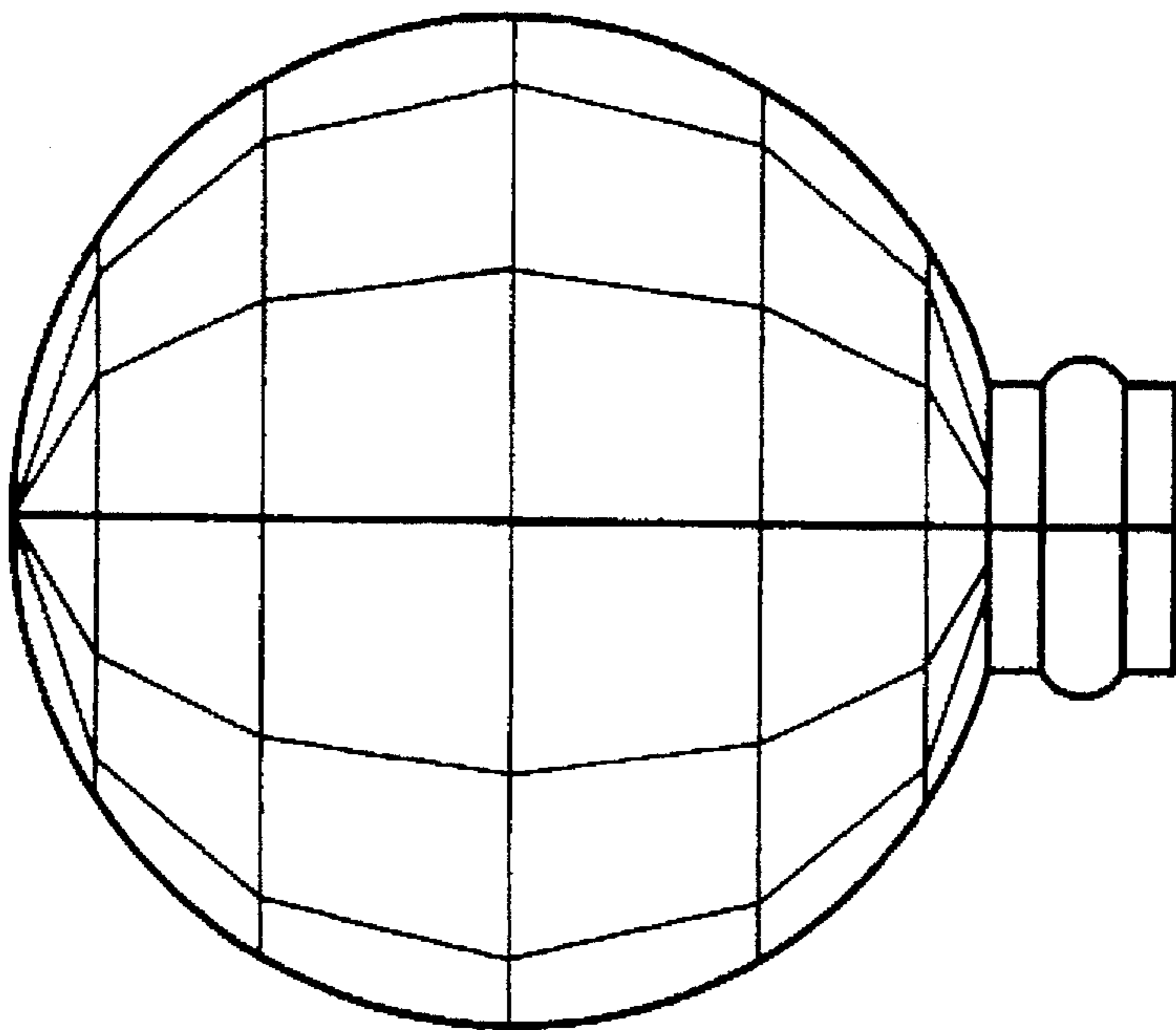


Fig. 3

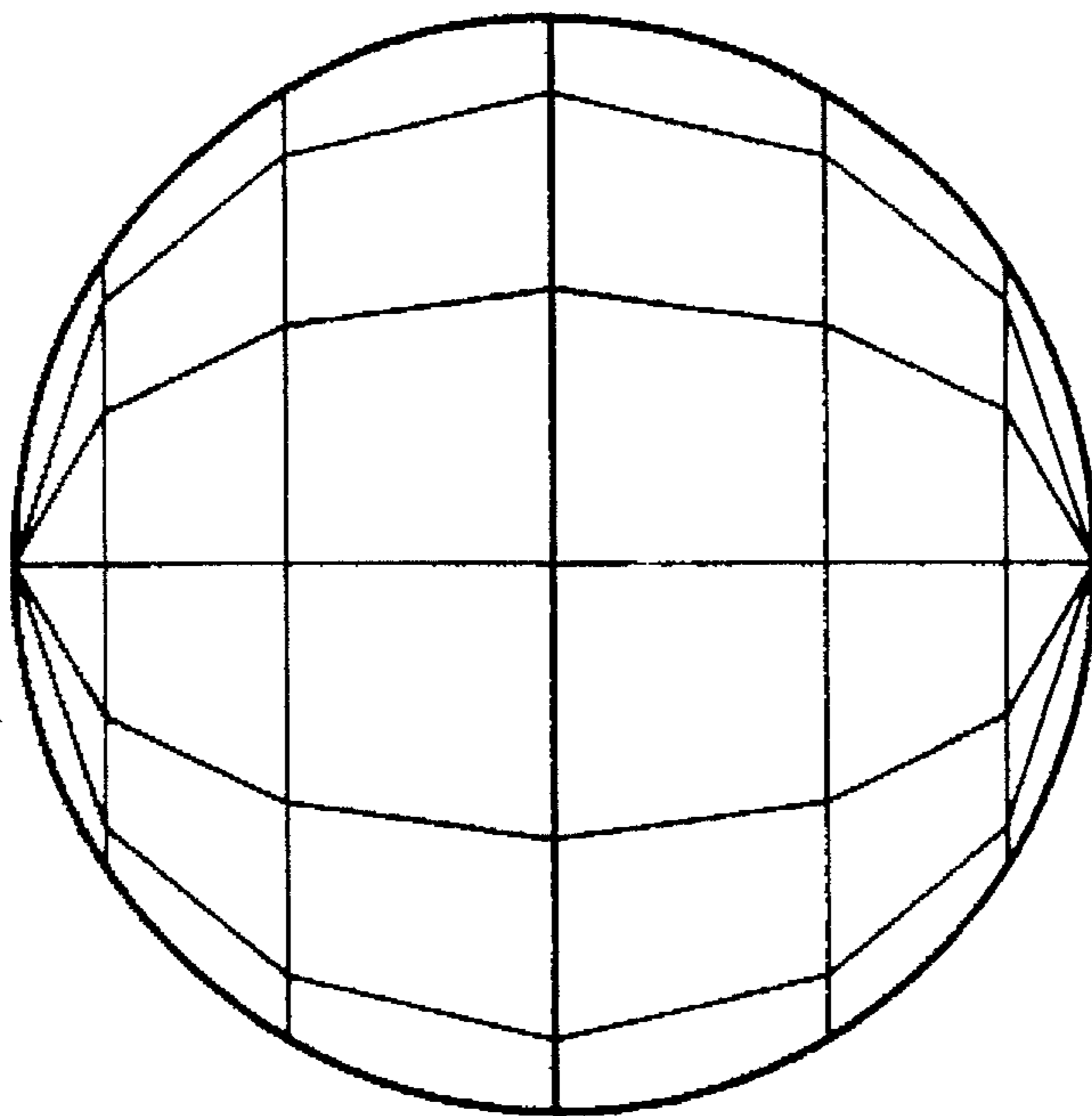


Fig. 4

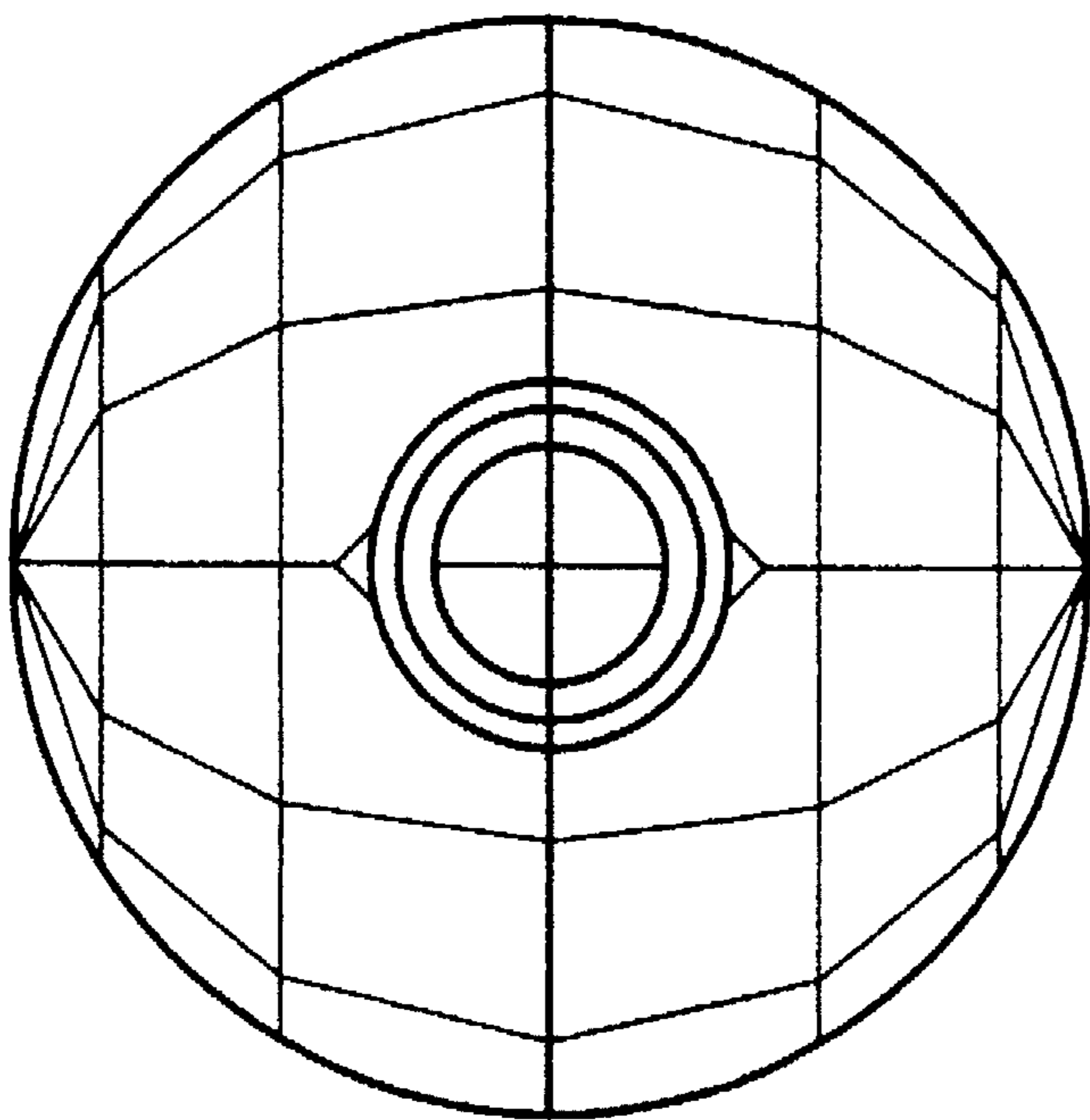


Fig. 5

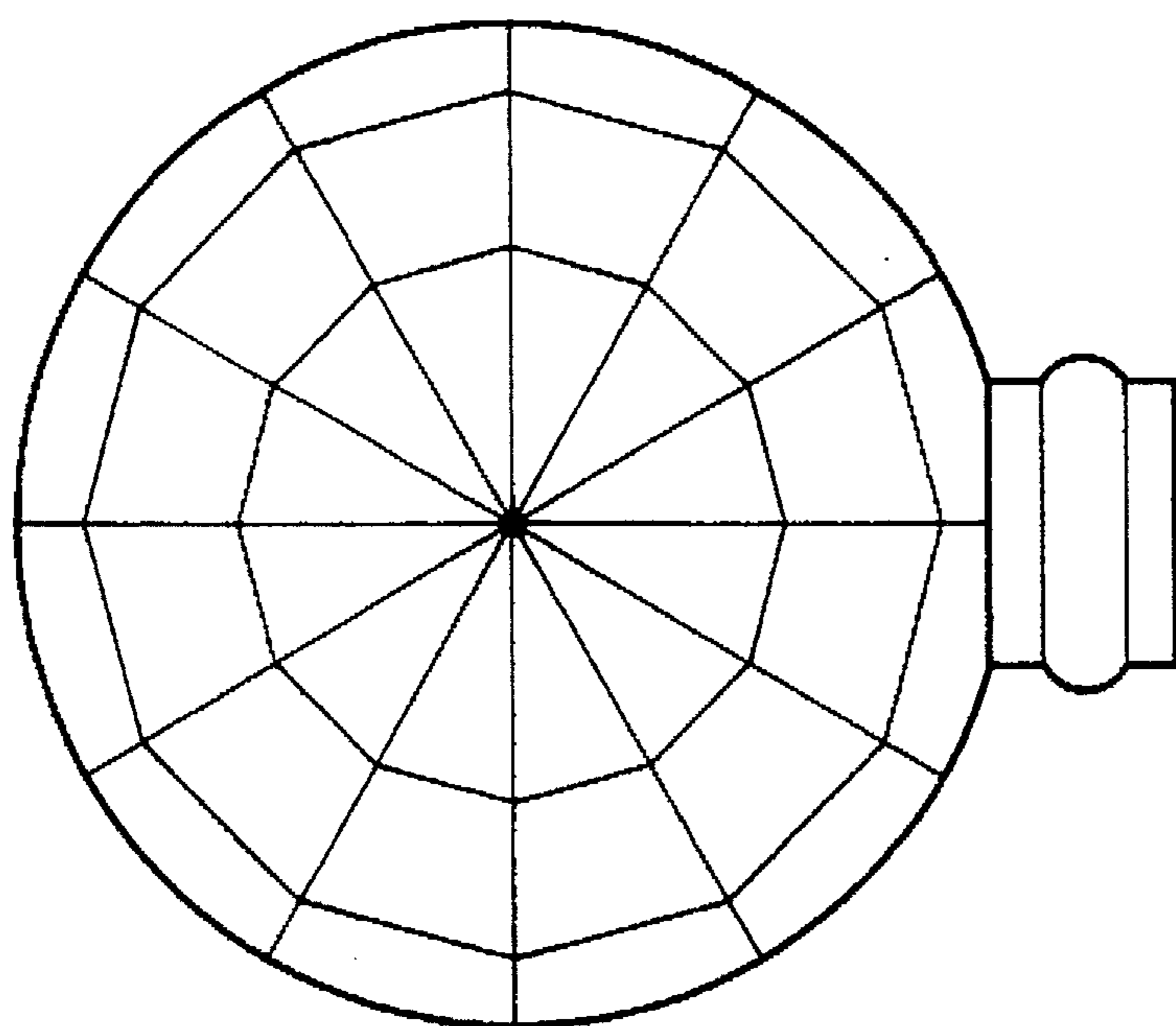


Fig. 6

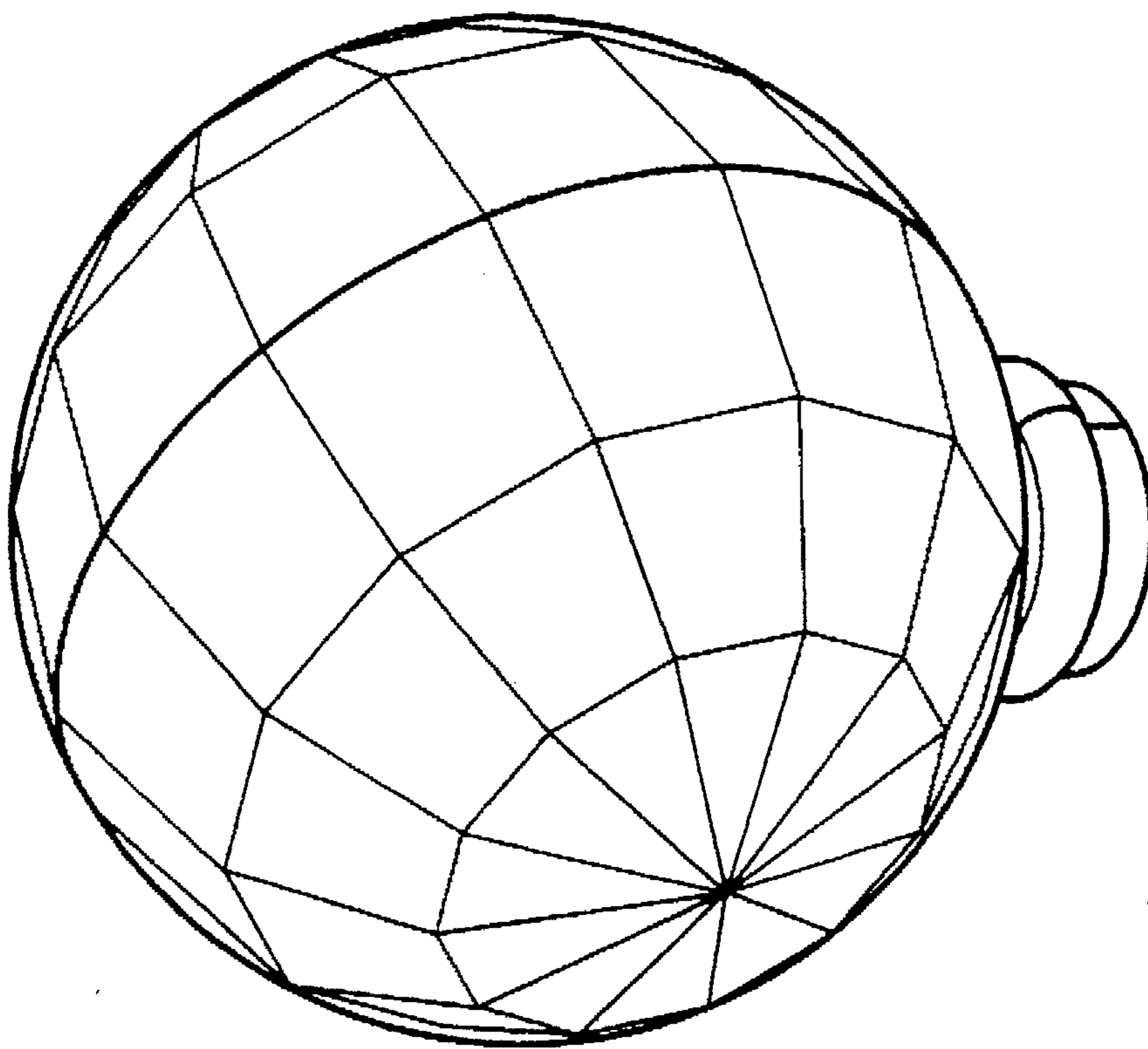


Fig. 7

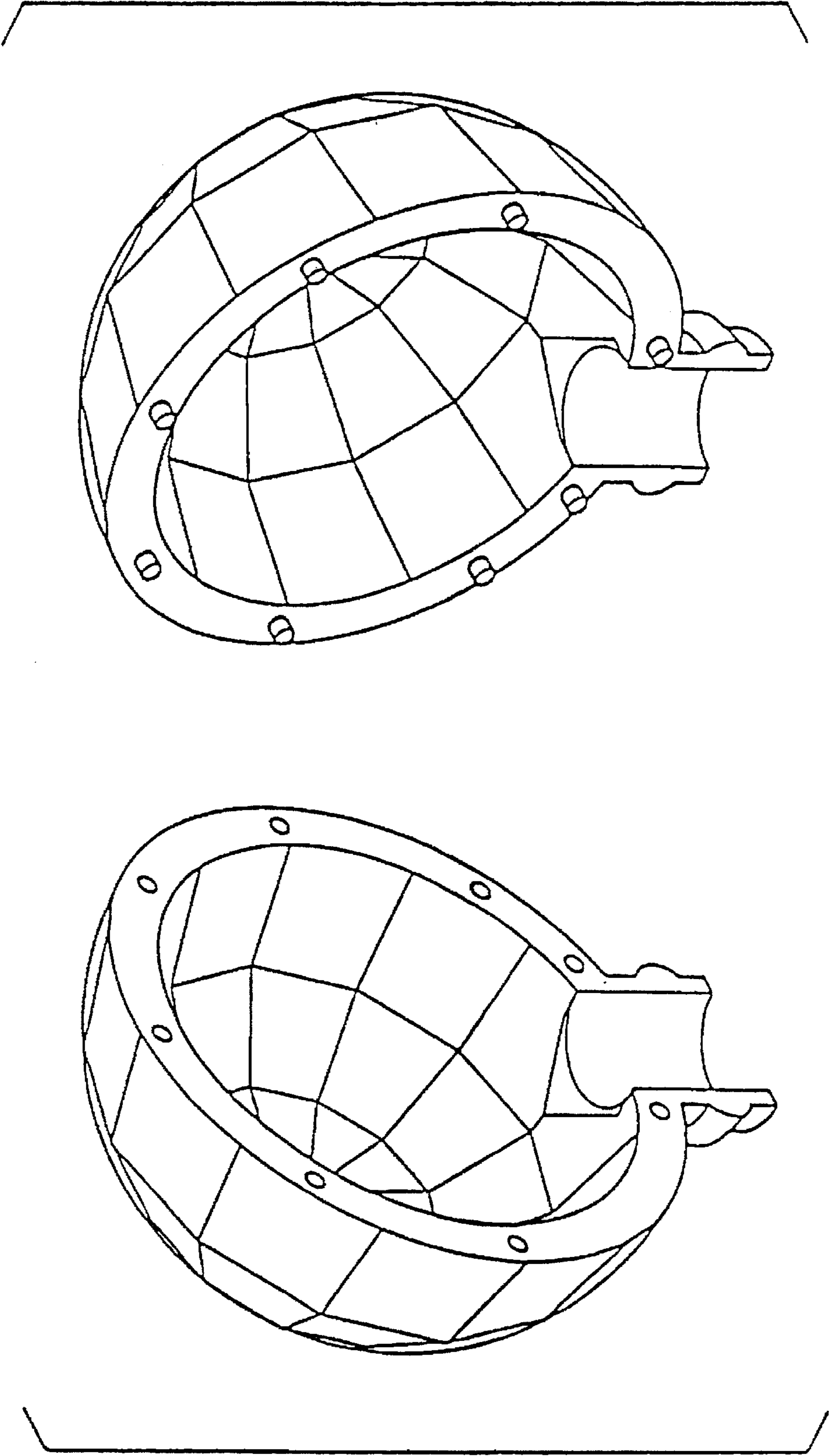


Fig. 8