



US00D379548S

United States Patent [19]
Johnson

[11] **Patent Number: Des. 379,548**

[45] **Date of Patent: **May 27, 1997**

[54] **WALL MOUNTABLE LIGHT SHADE**

[75] **Inventor: Dennis E. Johnson**, Grafton, Wis.

[73] **Assignee: SPI Lighting, Inc.**, Mequon, Wis.

[**] **Term: 14 Years**

[21] **Appl. No.: 44,960**

[22] **Filed: Oct. 4, 1995**

[51] **LOC (6) Cl. 26-05**

[52] **U.S. Cl. D26/128; D26/85**

[58] **Field of Search D26/72, 80-92,
D26/128; 362/147, 351, 355, 356, 431**

[56] **References Cited**

U.S. PATENT DOCUMENTS

D. 168,260	11/1952	Gregg	D26/86
D. 231,630	5/1974	Sherry	D26/85
D. 357,762	4/1995	Douglas	D26/85
D. 364,479	11/1995	Gilbert	D26/85

OTHER PUBLICATIONS

Brownlee Lighting, Ad, May 1987, Alhambra Wall Lamp #123.

A page of a SPI 1990 ad showing a portable fixture.

Primary Examiner—Susan J. Lucas

Attorney, Agent, or Firm—Quarles & Brady

[57] **CLAIM**

The ornamental design for a wall mountable light shade, as shown and described.

DESCRIPTION

FIG. 1 is a perspective view taken from the bottom, left and front, showing my new design;

FIG. 2 is a front elevational view thereof;

FIG. 3 is a left side elevational view thereof (and of all the other embodiments described herein), the right side being the mirror image of the left side shown (for this and all other embodiments);

FIG. 4 is a top plan view thereof;

FIG. 5 is a bottom plan view thereof;

FIG. 6 is a perspective view taken from the bottom, left, and front of a second embodiment;

FIG. 7 is a front elevational view of the FIG. 6 shade;

FIG. 8 is a top plan view of the FIG. 6 shade;

FIG. 9 is a bottom plan view of the FIG. 6 shade;

FIG. 10 is a perspective view taken from the bottom, left, and front of a third embodiment;

FIG. 11 is a front elevational view of the FIG. 10 shade;

FIG. 12 is a top plan view of the FIG. 10 shade;

FIG. 13 is a bottom plan view of the FIG. 10 shade;

FIG. 14 is a view similar to FIG. 10, but with the environment of two addition reflectors also shown;

FIG. 15 is a perspective view taken from the bottom, left, and front of a fourth embodiment;

FIG. 16 is a front elevational view of the FIG. 15 shade;

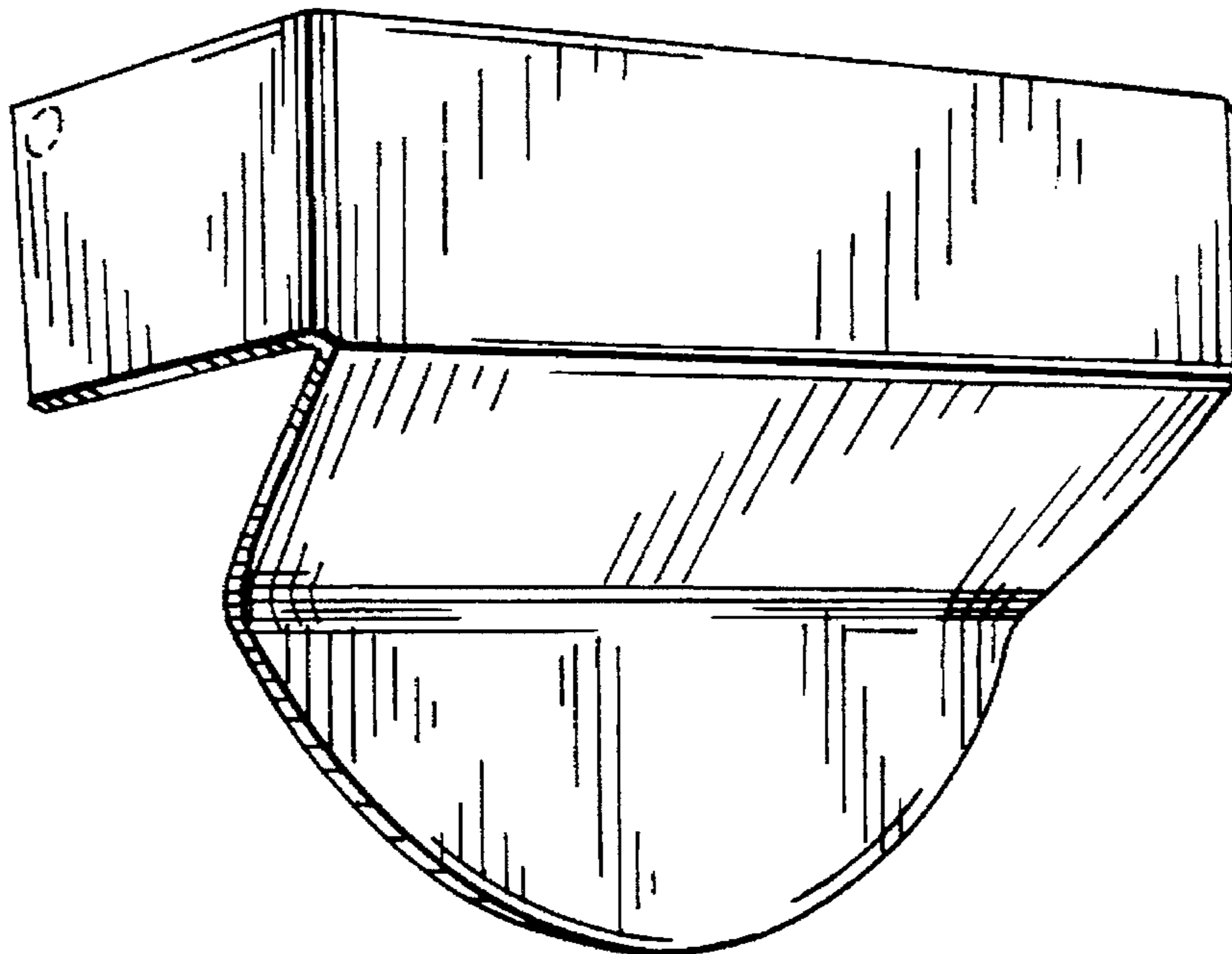
FIG. 17 is a top plan view of the FIG. 15 shade;

FIG. 18 is a bottom plan view of the FIG. 15 shade; and,

FIG. 19 is a view of the FIG. 15 shade similar to FIG. 15, but with a rear and leg reflector environment also shown.

The broken line representations of attachments holes in FIGS. 1, 6, 10, 14, 15, and 19, and of reflectors in FIGS. 14 and 19, are for purposes of illustration only.

1 Claim, 4 Drawing Sheets



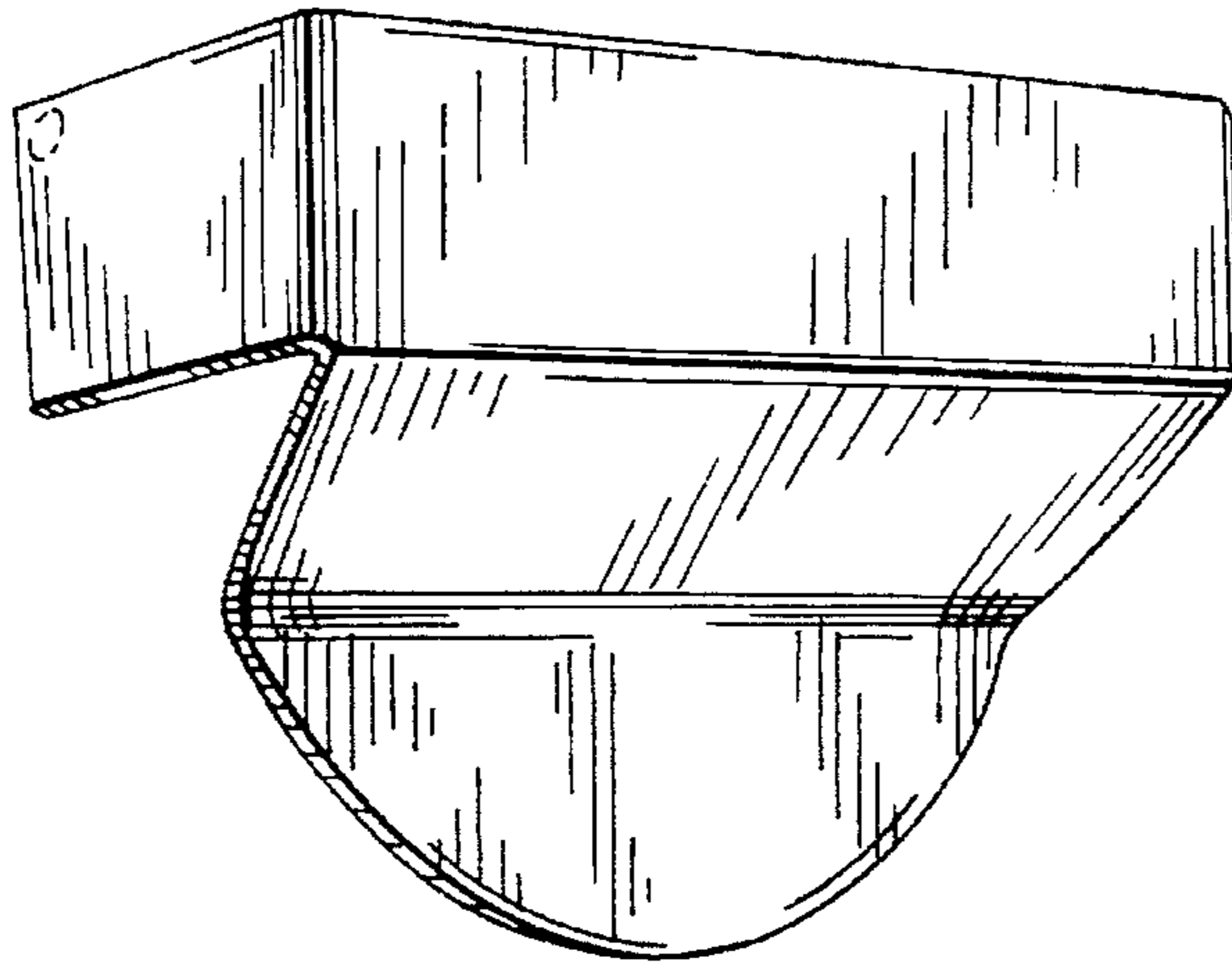


FIG. 1

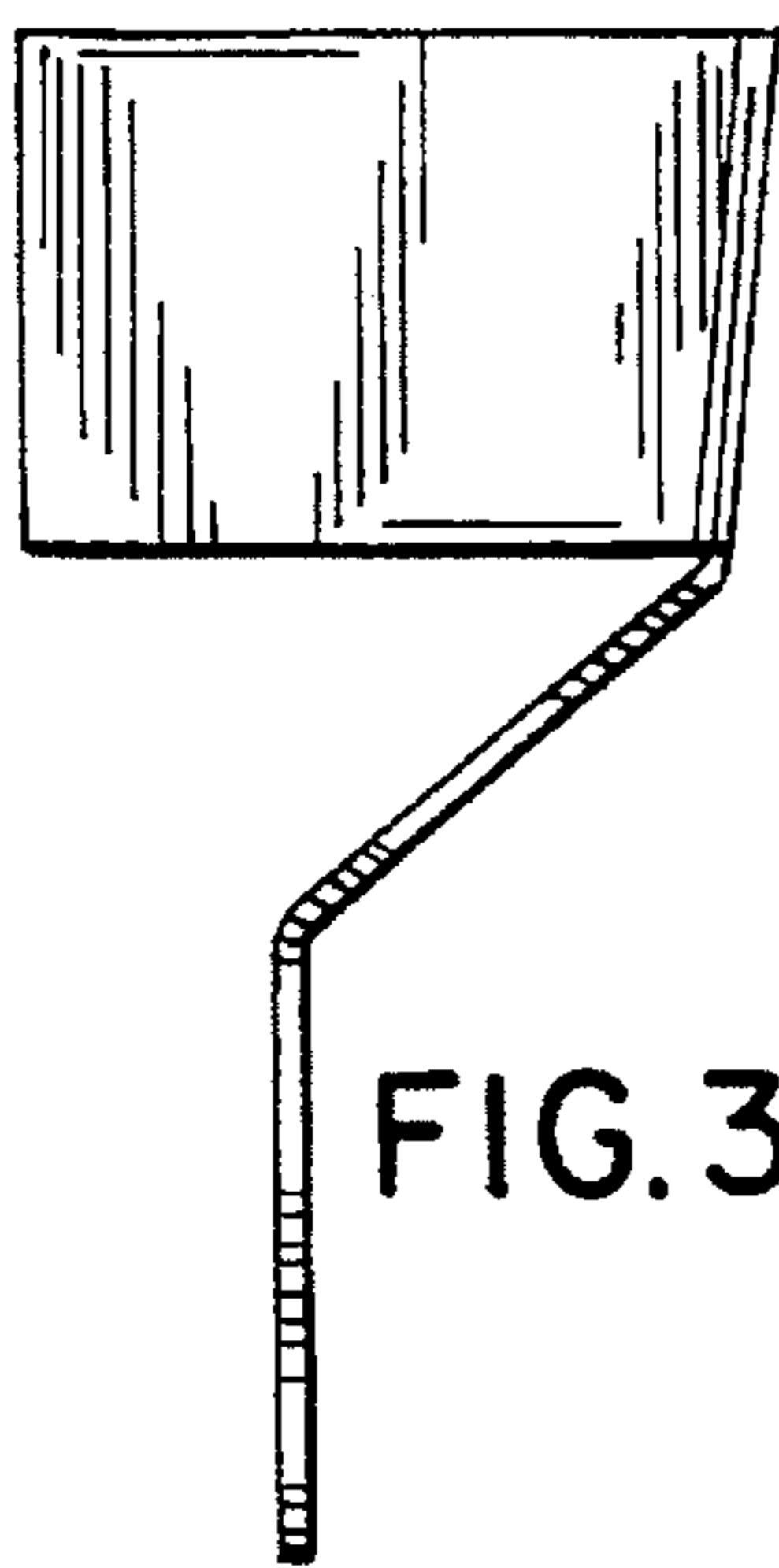


FIG. 3

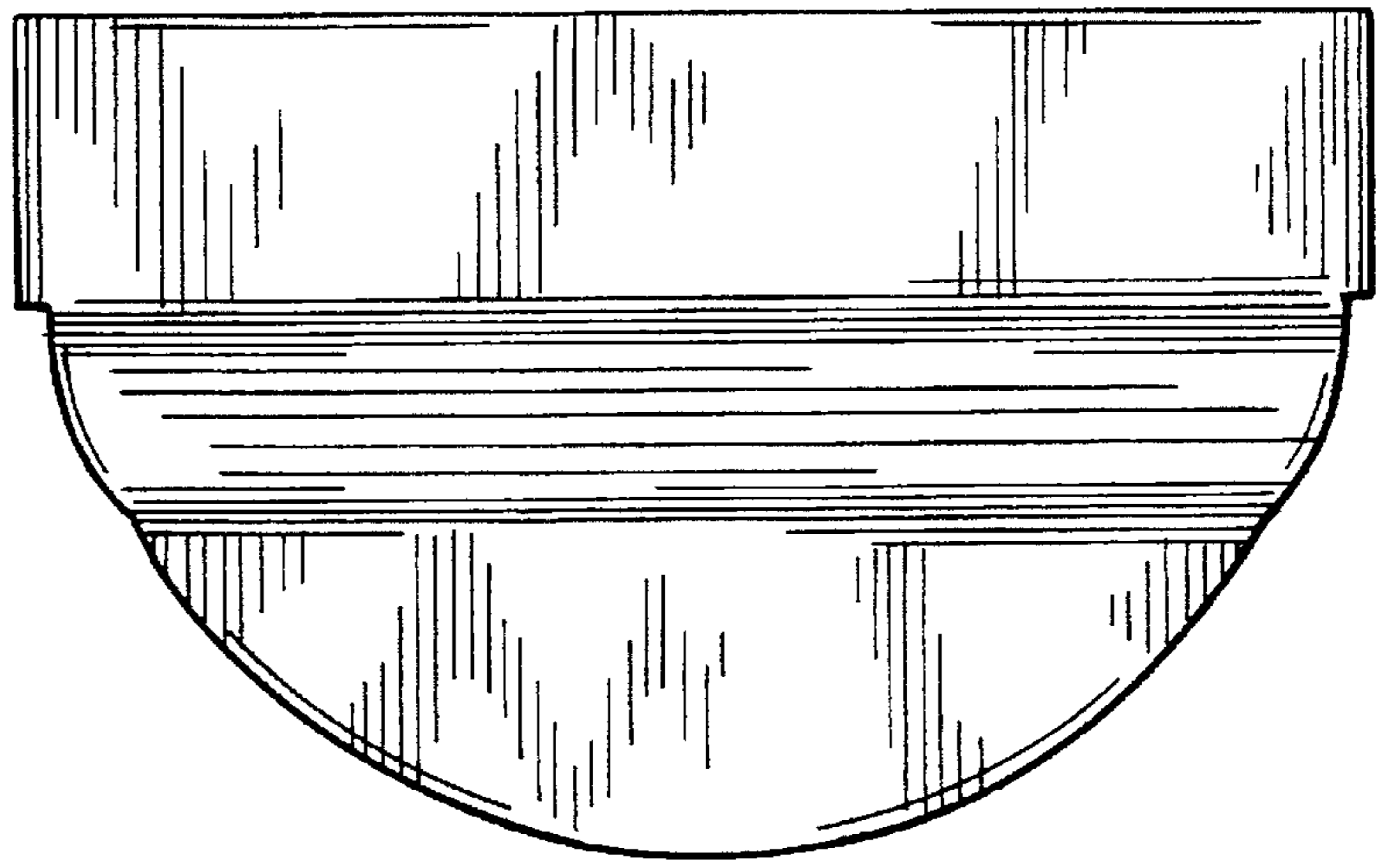


FIG. 2

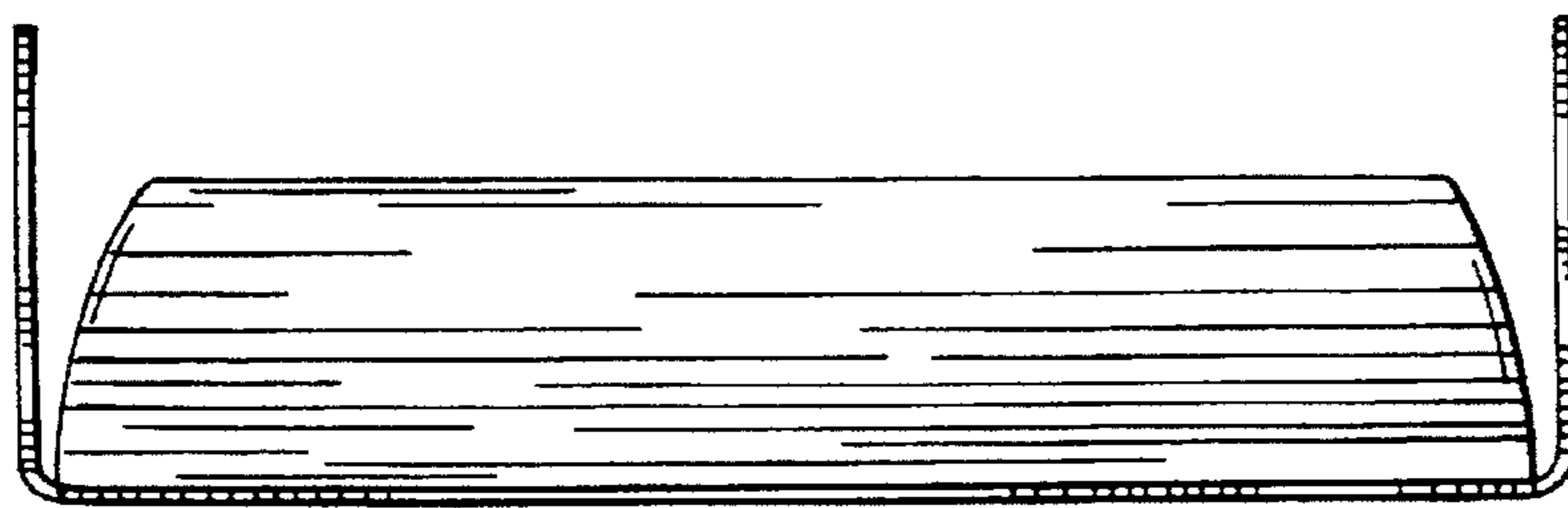


FIG. 4

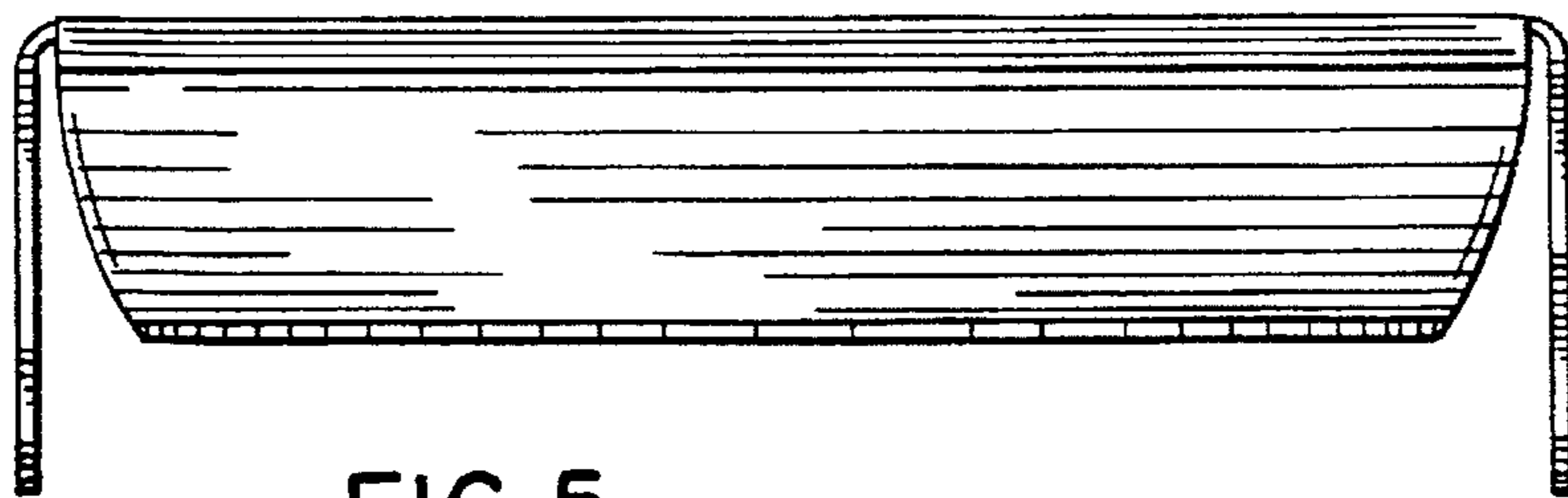


FIG. 5

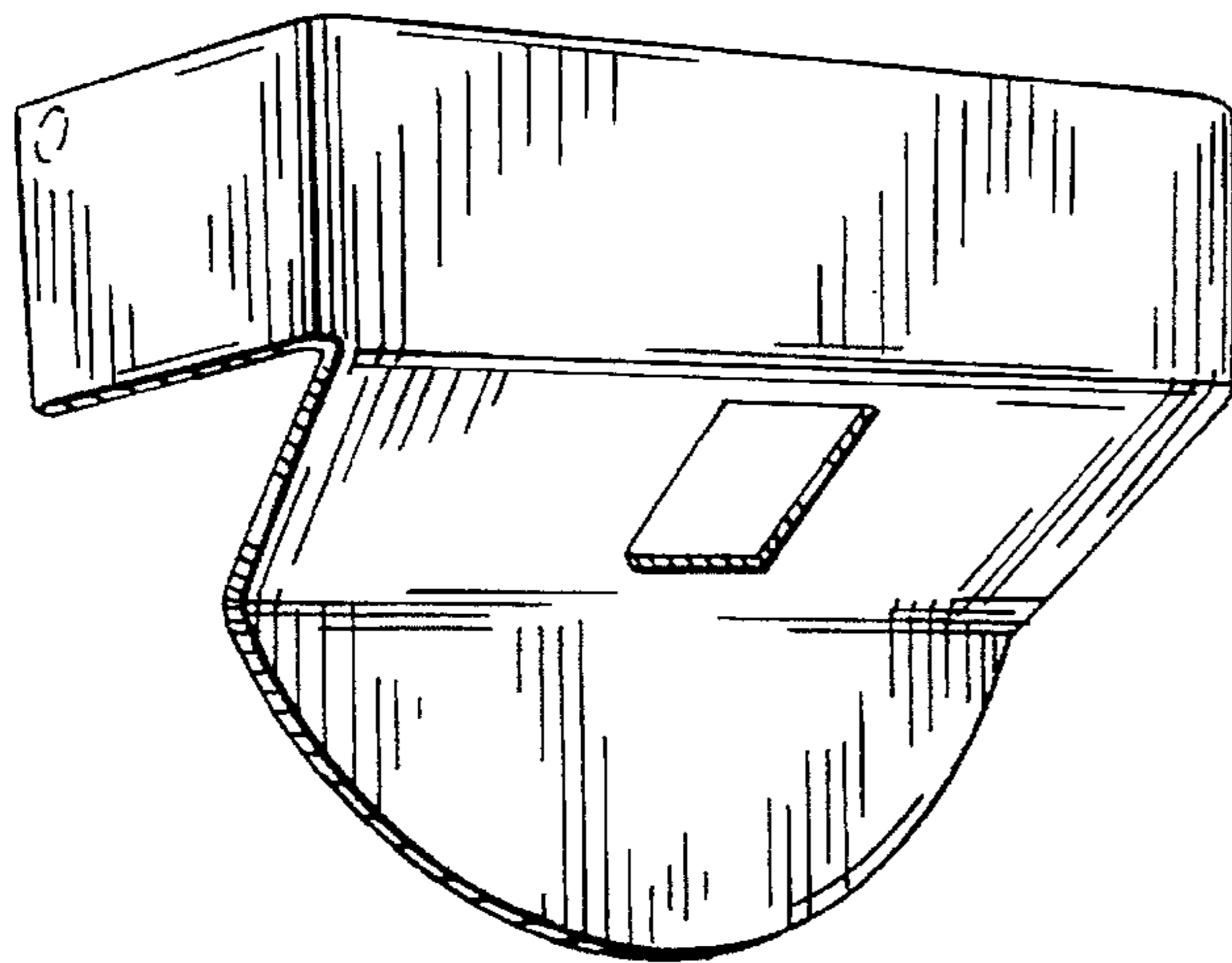


FIG. 6

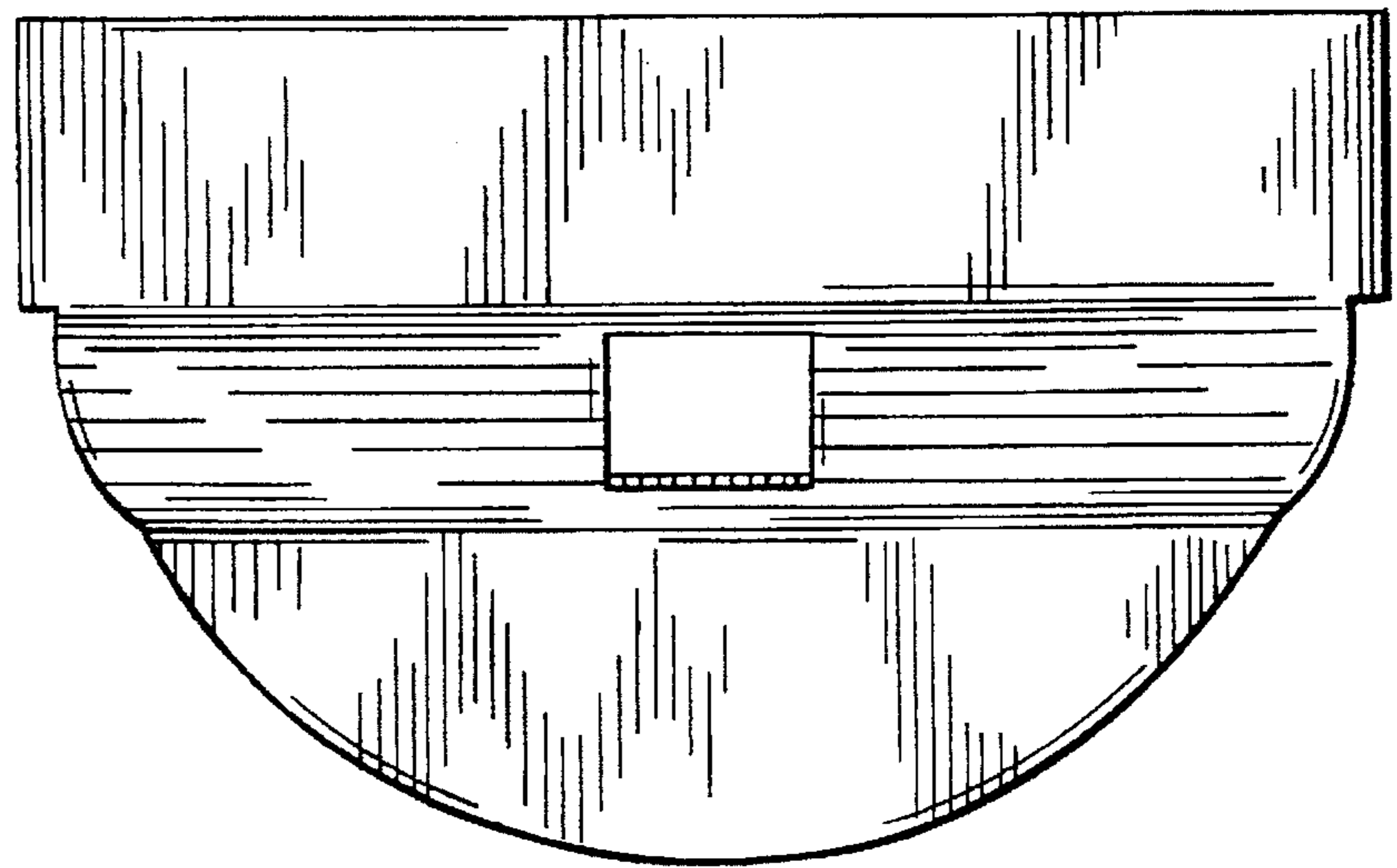


FIG. 7

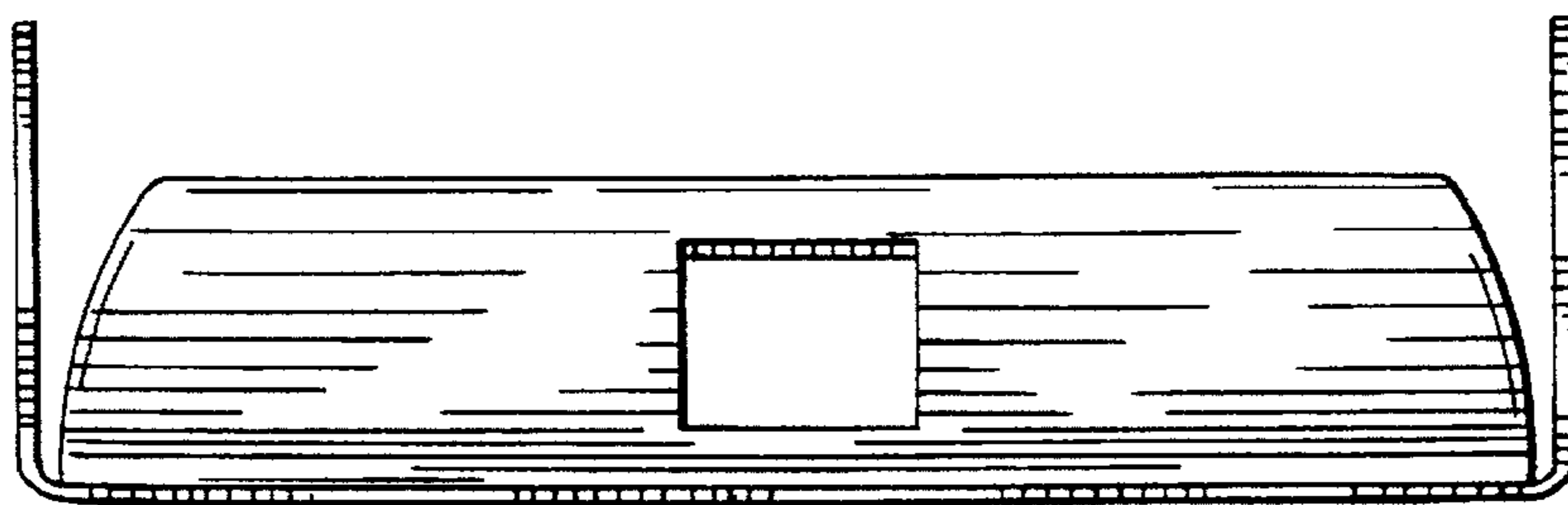


FIG. 8

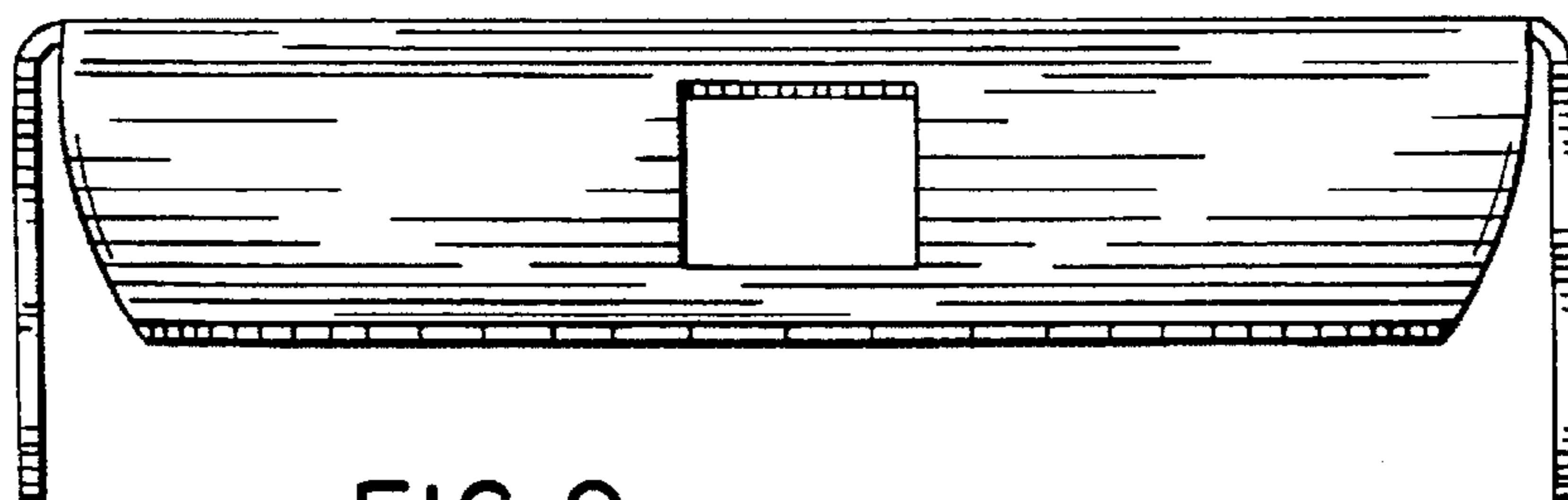


FIG. 9

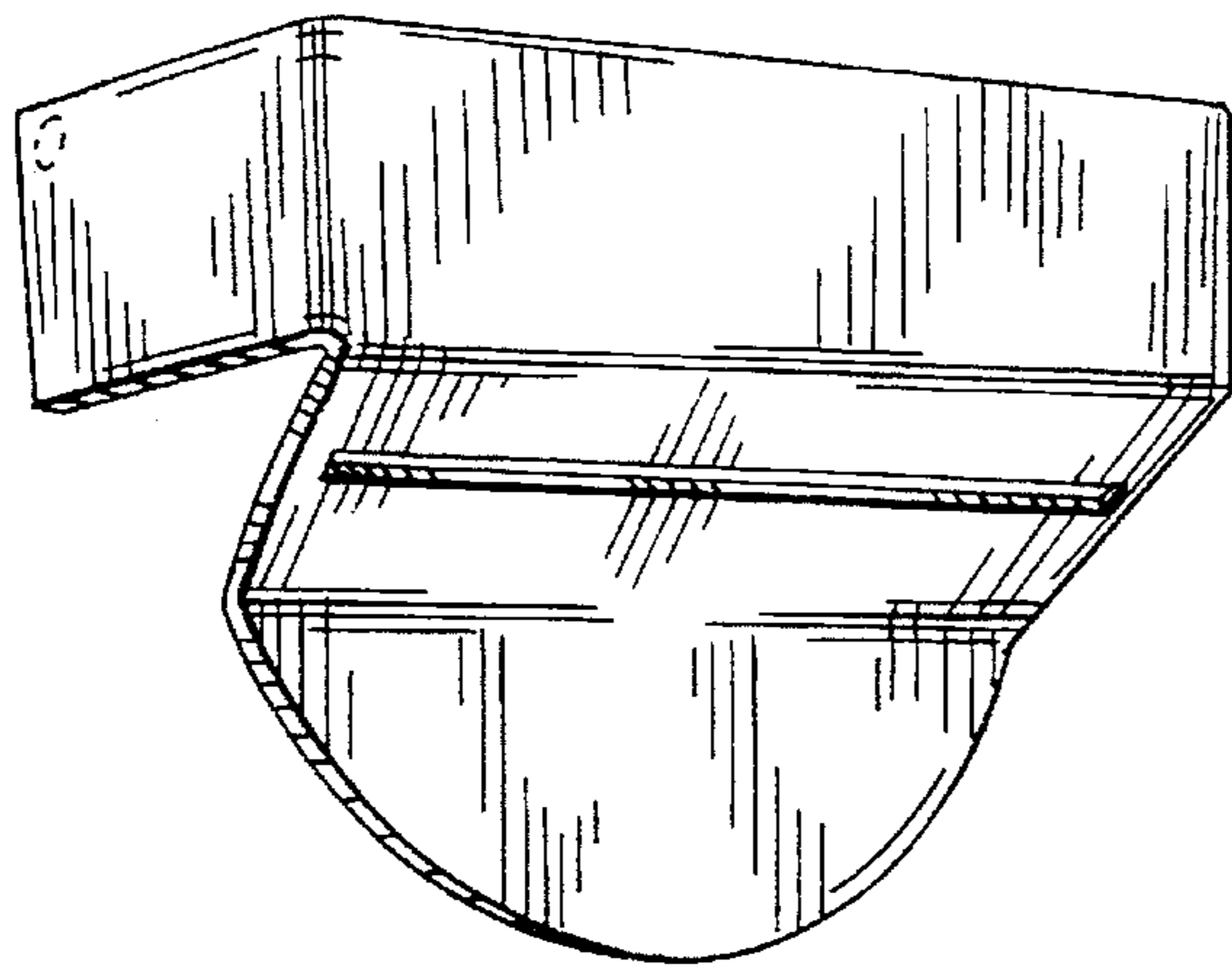


FIG. 10

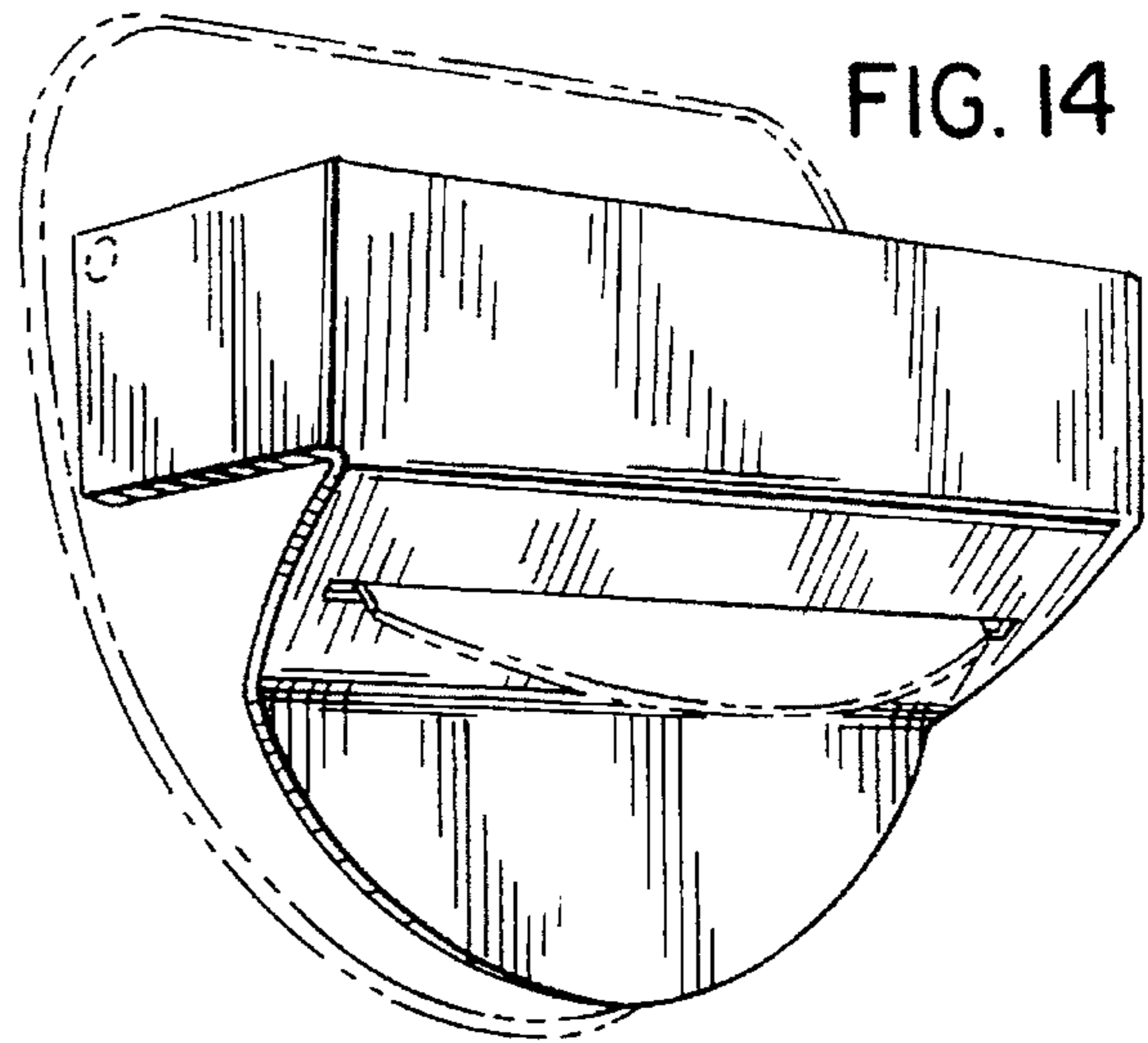


FIG. 14

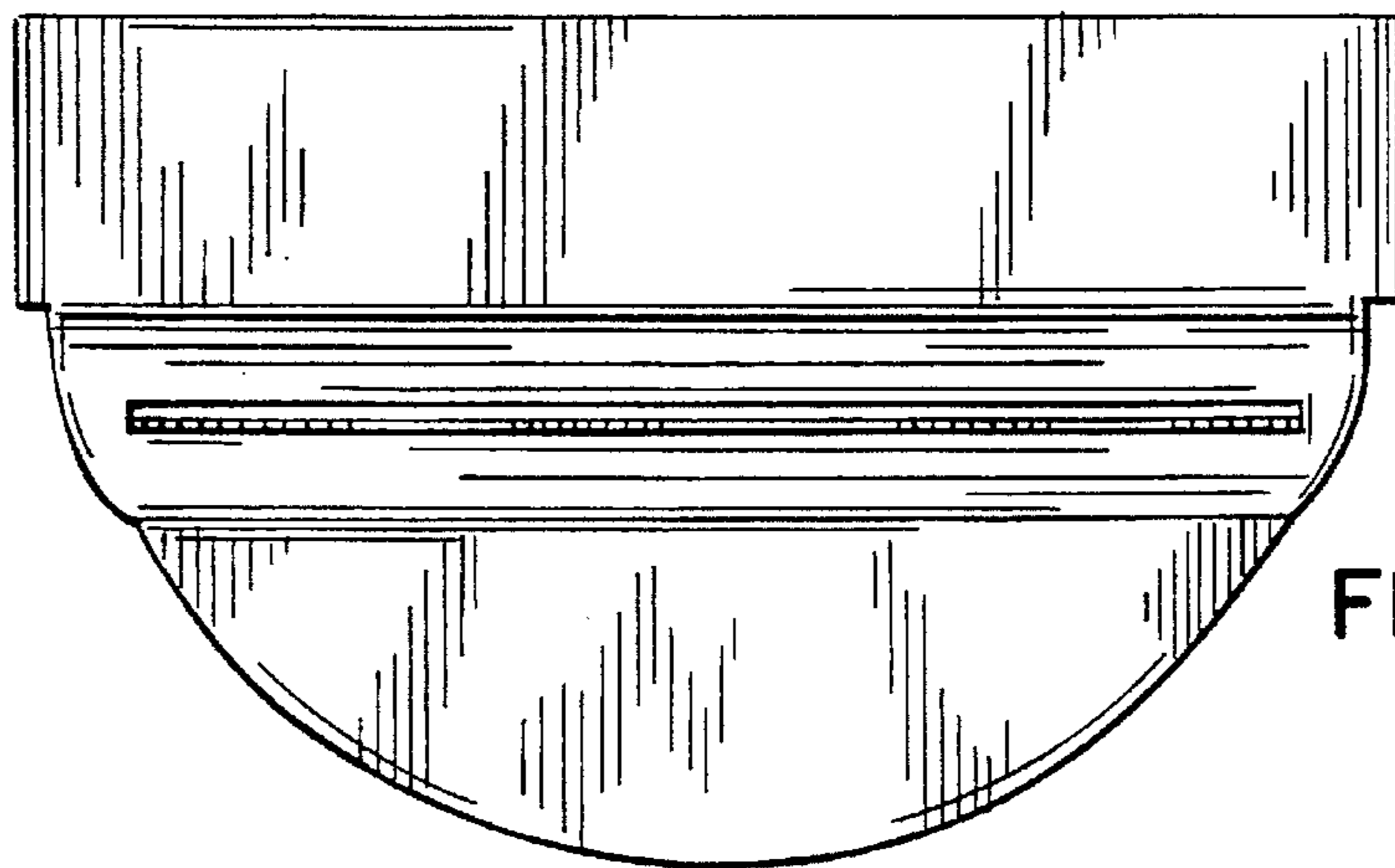


FIG. 11

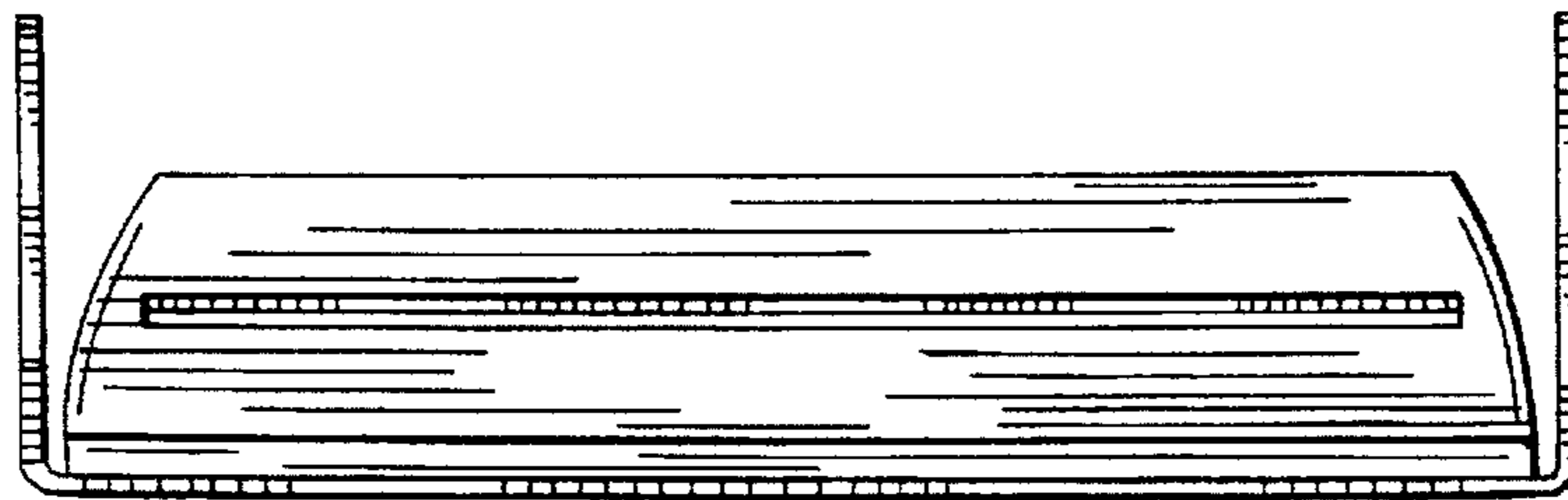


FIG. 12

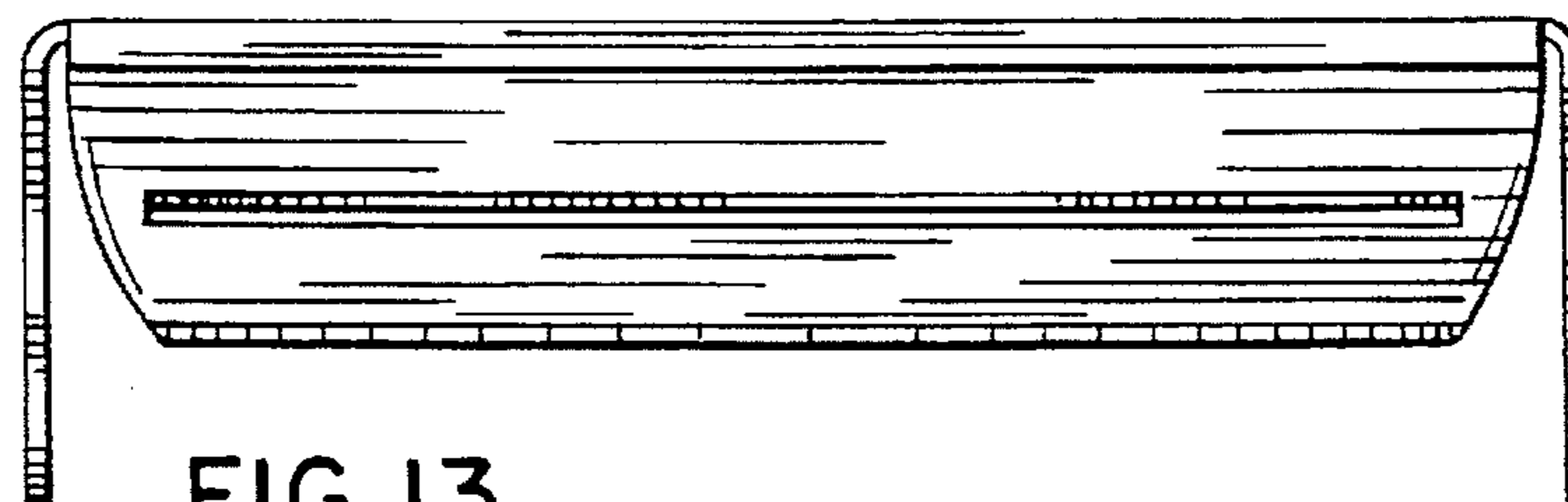


FIG. 13

