



US00D379547S

United States Patent [19] Tognu'

[11] Patent Number: **Des. 379,547**

[45] Date of Patent: ****May 27, 1997**

[54] **OUTDOOR LAMP**

[75] Inventor: **Angelo Tognu'**, Lumezzane S.
Apollonio, Italy

[73] Assignee: **Garden Light S.R.L.**, Brescia, Italy

[**] Term: **14 Years**

[21] Appl. No.: **43,524**

[22] Filed: **Sep. 6, 1995**

[30] **Foreign Application Priority Data**

May 2, 1995 [IT] Italy MI9500244

[51] **LOC (6) Cl.** **26-03**

[52] **U.S. Cl.** **D26/92**

[58] **Field of Search** D26/67, 68, 69,
D26/70, 71, 72, 80-92; 362/147, 431, 432

[56] **References Cited**
PUBLICATIONS

Progressive Architecture, Jan. 1987, p. 13, Kidde Lighting,
Exterior Fixture (bottom right).

Primary Examiner—Susan J. Lucas
Attorney, Agent, or Firm—Laff, Whitesel, Conte & Saret,
Ltd.

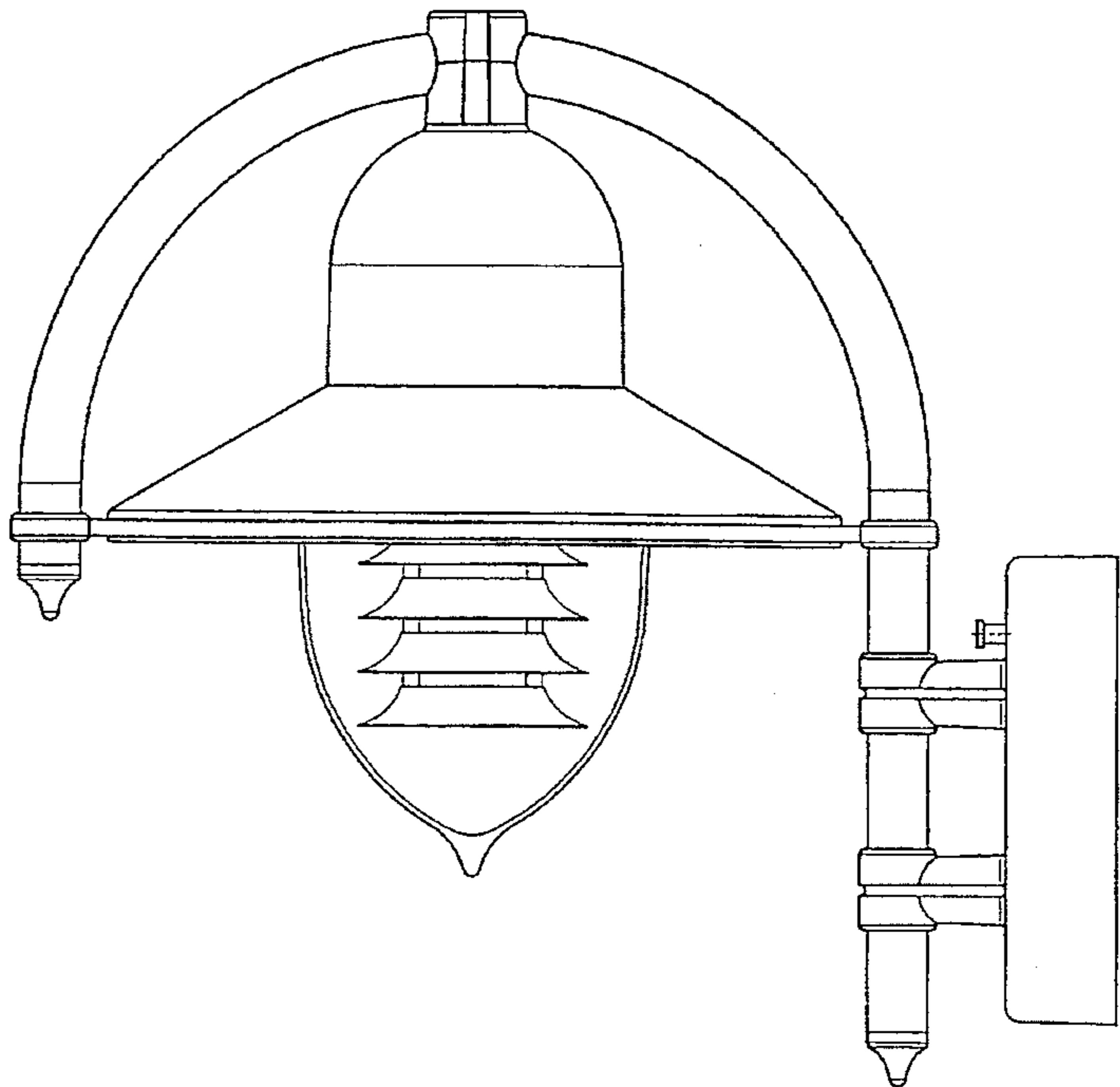
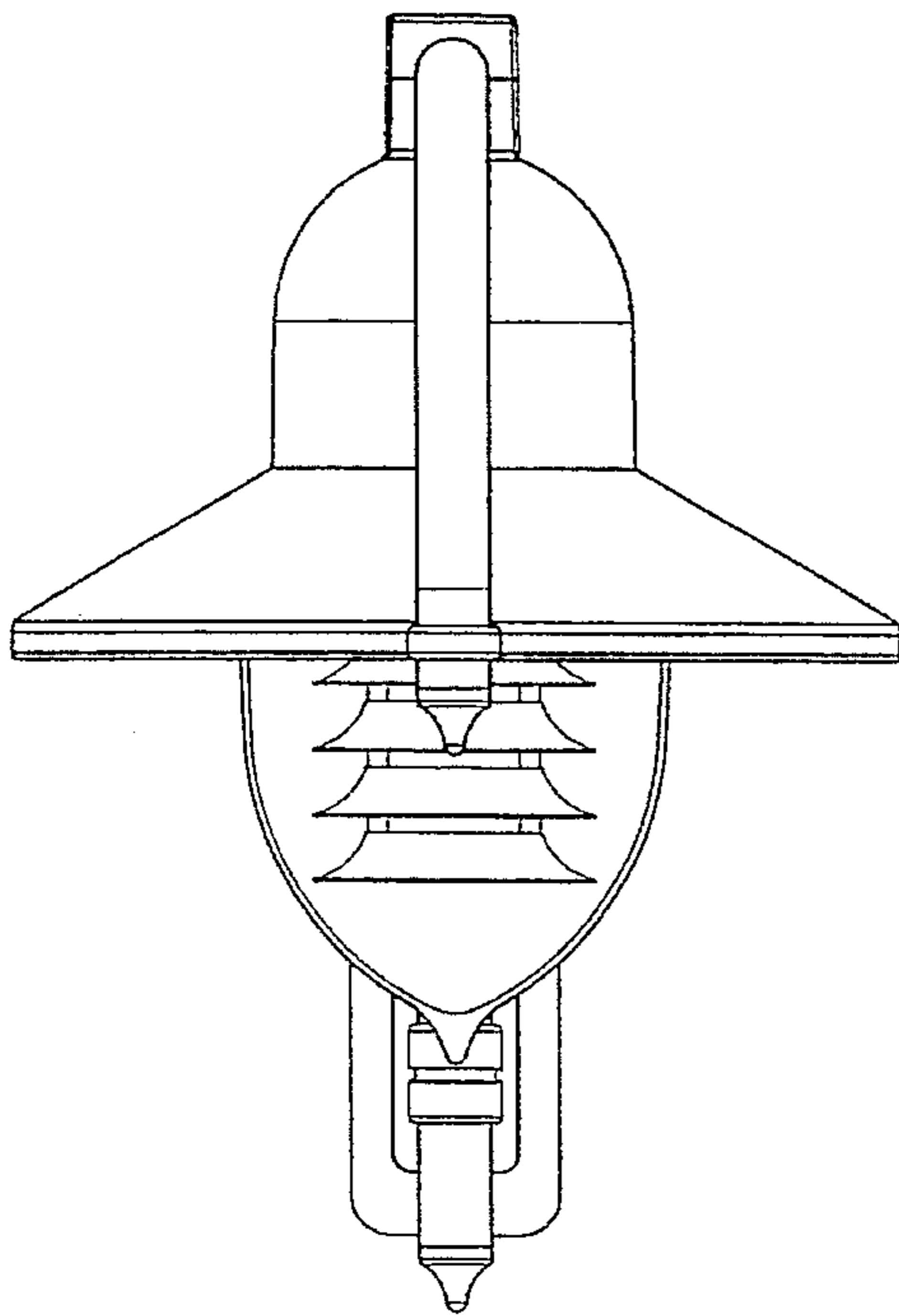
[57] **CLAIM**

The ornamental design for an outdoor lamp, as shown and
described.

DESCRIPTION

FIG. 1 is a front elevation view of the outdoor lamp;
FIG. 2 is a rear elevation view thereof;
FIG. 3 is a right elevation view thereof;
FIG. 4 is a left elevation view thereof;
FIG. 5 is a bottom plan view thereof; and,
FIG. 6 is a top plan view thereof.

1 Claim, 6 Drawing Sheets



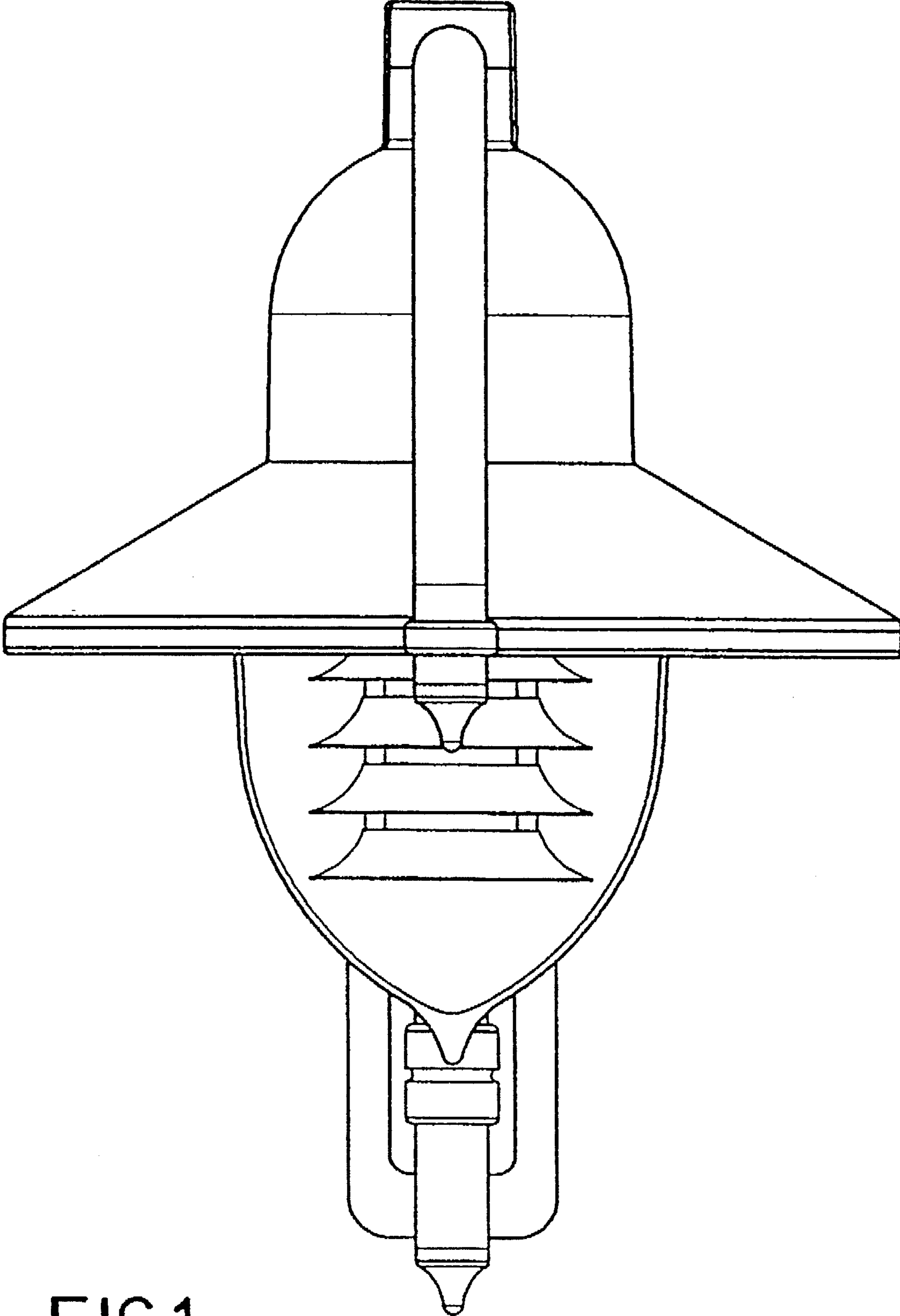


FIG 1

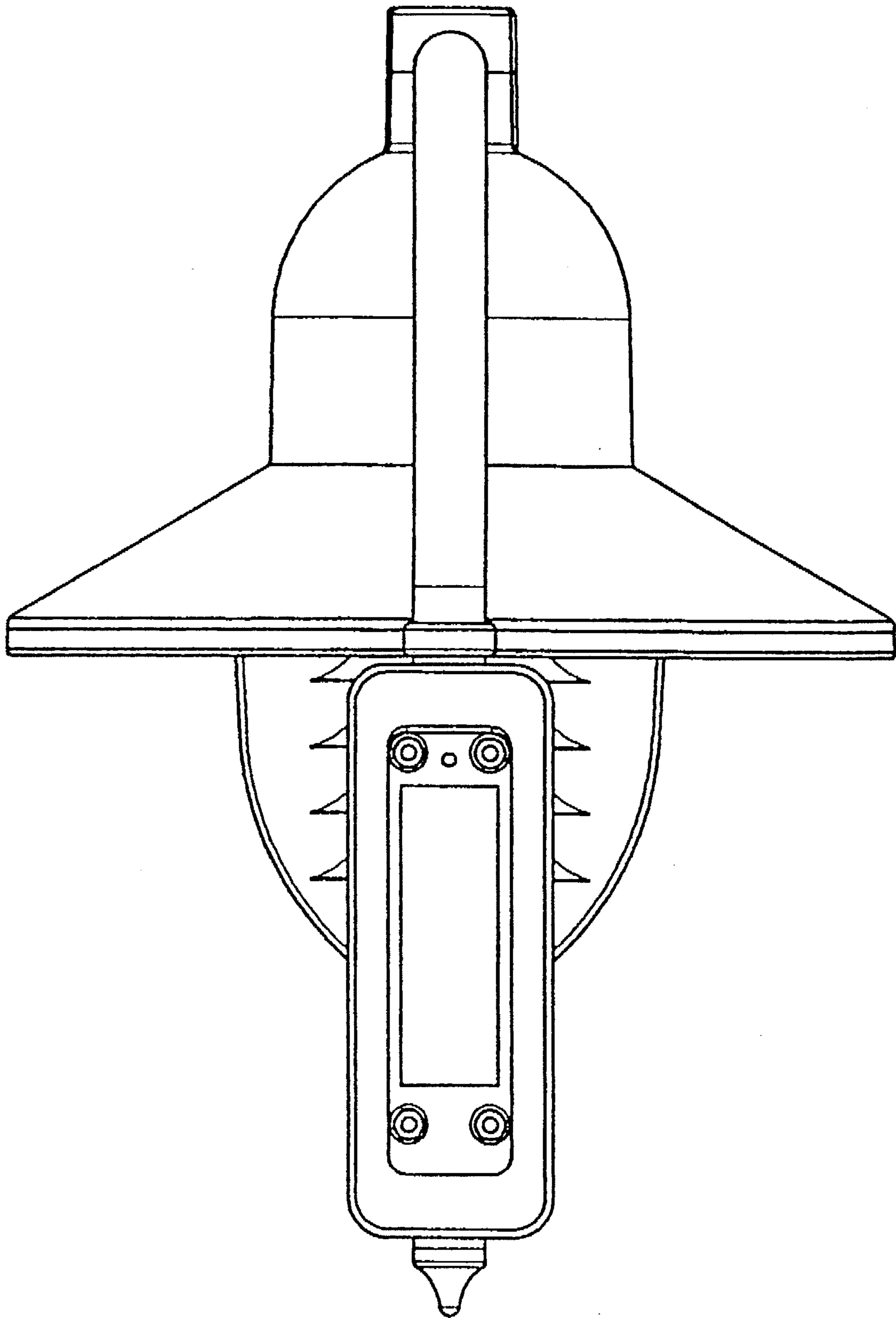


FIG 2

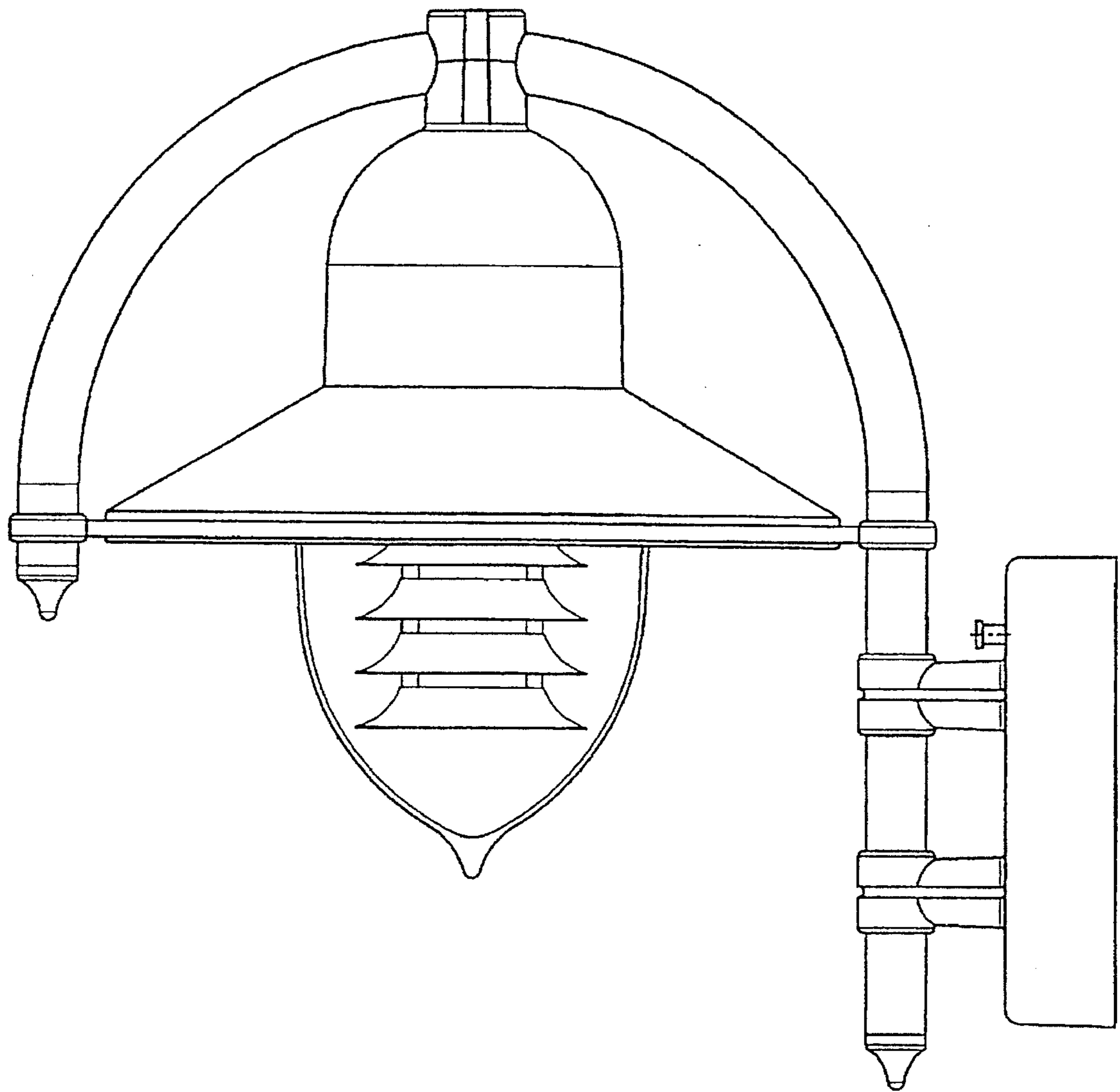


FIG 3

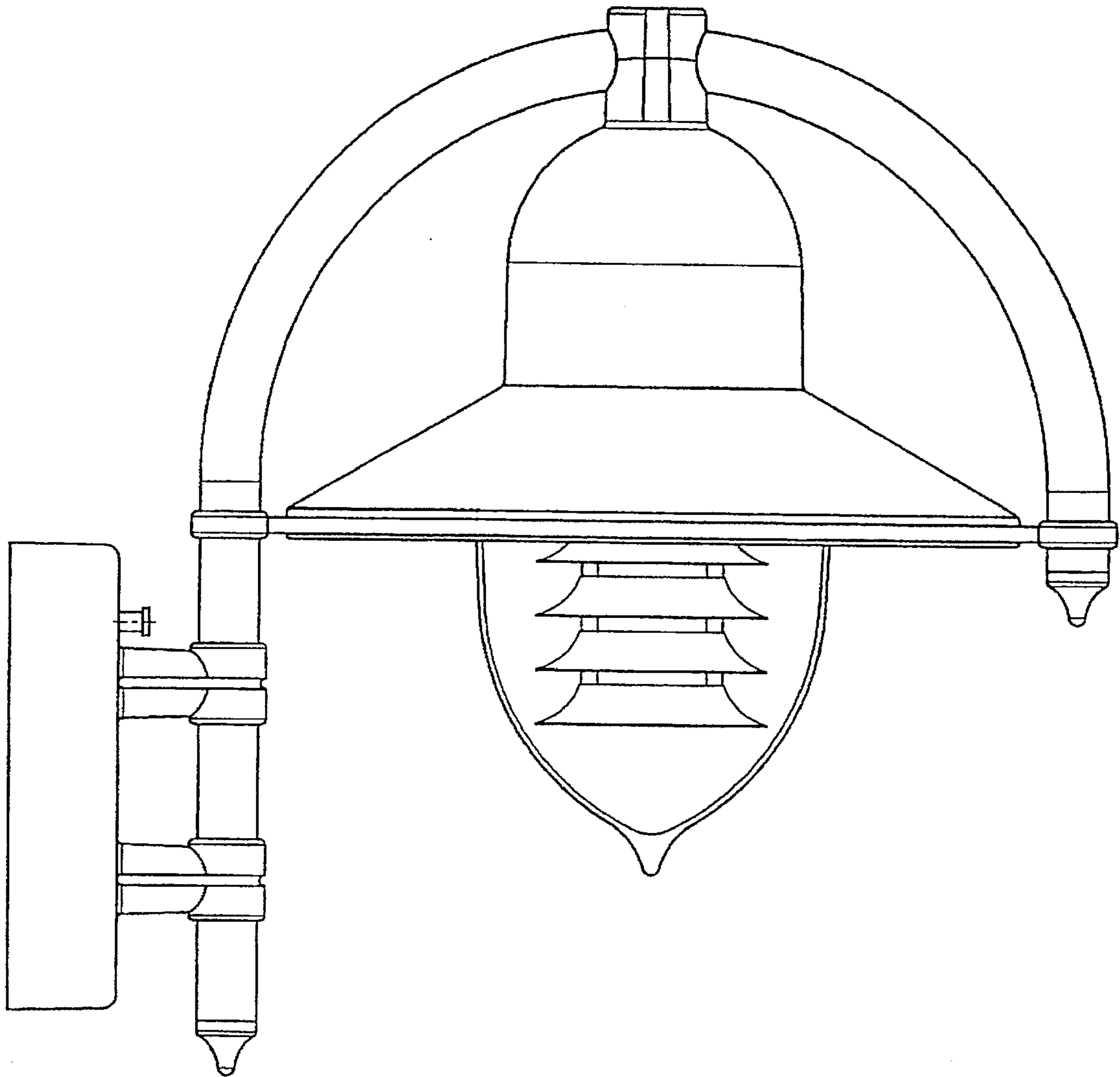


FIG 4

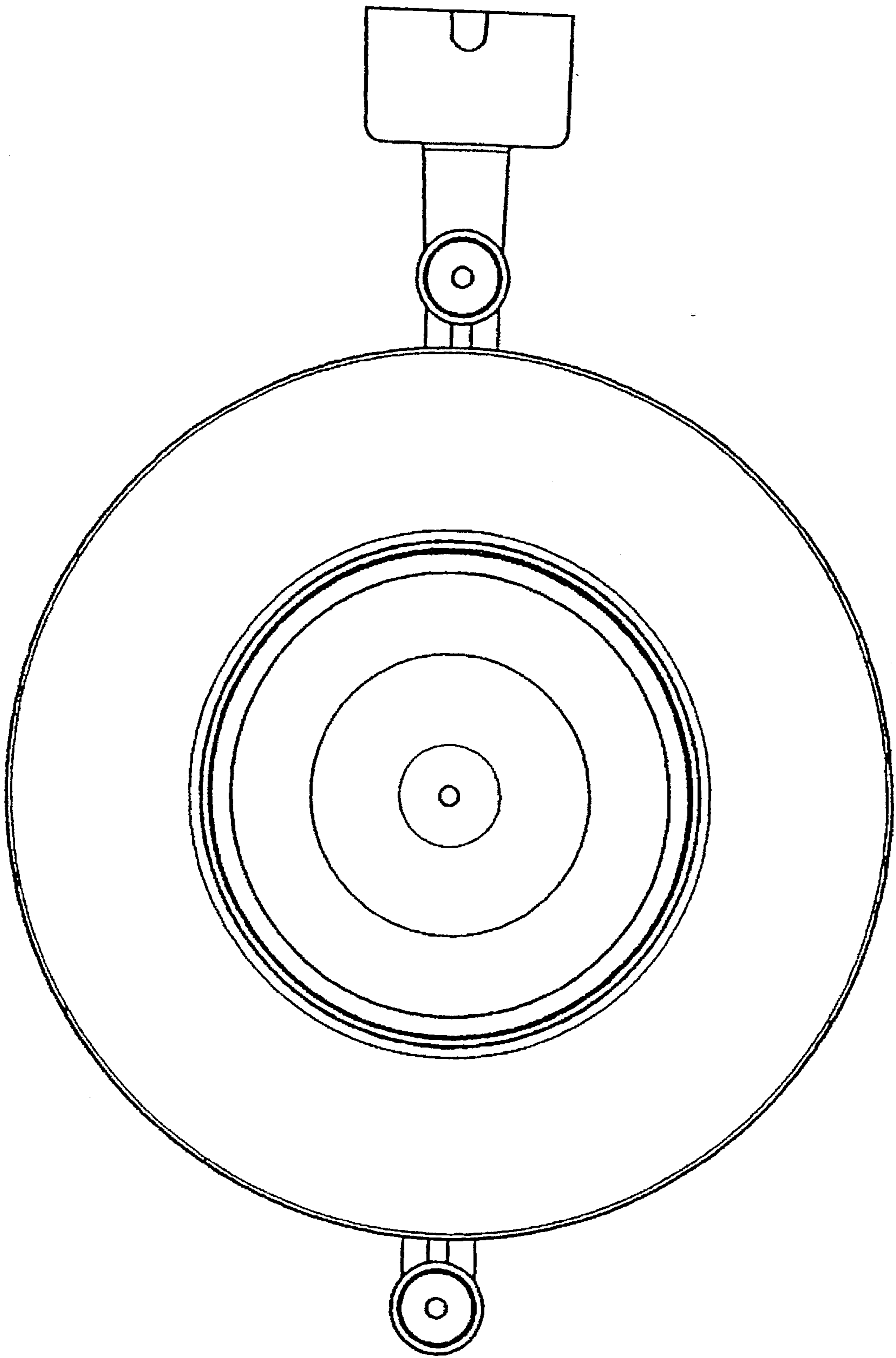


FIG 5

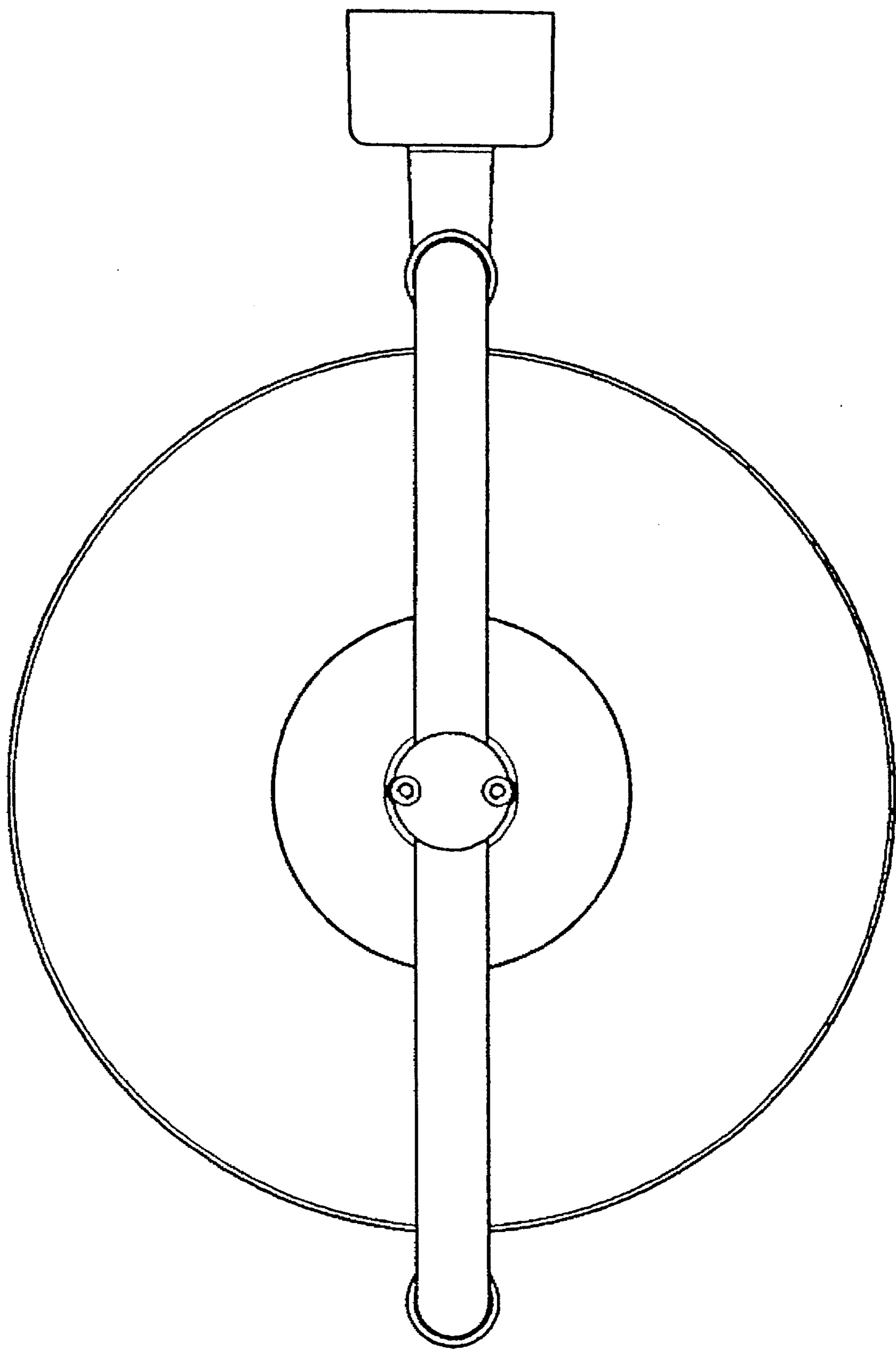


FIG 6