



US00D379546S

United States Patent [19]

Littman

[11] Patent Number: Des. 379,546

[45] Date of Patent: **May 27, 1997

[54] **RECESSED ADJUSTABLE LIGHT FIXTURE**

[75] Inventor: Eugene Littman, Newburgh, N.Y.

[73] Assignee: Lightron of Cornwall Incorporated,
New Windsor, N.Y.

[**] Term: 14 Years

[21] Appl. No.: 53,700

[22] Filed: Apr. 26, 1996

Related U.S. Application Data

[63] Continuation of Ser. No. 25,324, Jun. 29, 1994, abandoned.

[51] LOC (6) Cl. 26-05

[52] U.S. Cl. D26/74; D26/63

[58] Field of Search D26/60-66, 75-79,
D26/80, 81, 85, 87, 88; 362/269, 275, 285,
418, 419, 427, 147, 148, 150, 217, 220

[56] References Cited

U.S. PATENT DOCUMENTS

2,740,885	4/1956	Kruger	362/220
3,287,552	11/1966	Drandell	362/233
3,643,086	2/1972	Shaw	362/364
3,702,928	11/1972	Alger	362/804

(List continued on next page.)

OTHER PUBLICATIONS

Engineered Lighting Products, El Monte, California; AK Series Recessed Wall Washer, Yoke Mounted Wall Washer, Recessed Low Level Flood Light; 1992.

Elliptipar advertisement; Architectural Record Lighting, p. 7, May/1995.

Indy lighting (Juno lighting), Fishers, Ind.; Compact Fluorescent Wallwash/Flood Track Fixture 701T, Compact Fluorescent Recessed Wallwash/Accent 714R, prior to Jun. 29, 1993.

SPI, Lighting, Inc., EDR-ECR-SR-1733 Fixture prior to Jun. 29, 1993.

Adjustable Par 38 Elbow, Series PDA-6, Lightron of Cornwall, Inc. catalog sheet (Sep. 1992).

Elliptipar, inc. advertisement, Lighting Design & Application, vol. 23, No. 9, p. 35 (Sep. 1993).

Primary Examiner—Susan J. Lucas

Attorney, Agent, or Firm—Fish & Richardson P.C.

[57] CLAIM

The ornamental design for a recessed adjustable light fixture, as shown and described.

DESCRIPTION

FIG. 1 is a view as seen from the front and lower left of a recessed adjustable light fixture in a first position;

FIG. 2 is a view as seen from the rear and lower right of the light fixture of FIG. 1;

FIG. 3 is a bottom plan view of the light fixture of FIG. 1;

FIG. 4 is a front elevational view of the light fixture of FIG. 1;

FIG. 5 is a rear elevational view of the light fixture of FIG. 1;

FIG. 6 is a right side elevational view of the light fixture of FIG. 1;

FIG. 7 is a left side elevational view of the light fixture of FIG. 1;

FIG. 8 is a view as seen from the front and lower left of another embodiment of a recessed, adjustable light fixture in the position shown in FIG. 1;

FIG. 9 is a front elevational view of the light fixture of FIG. 8;

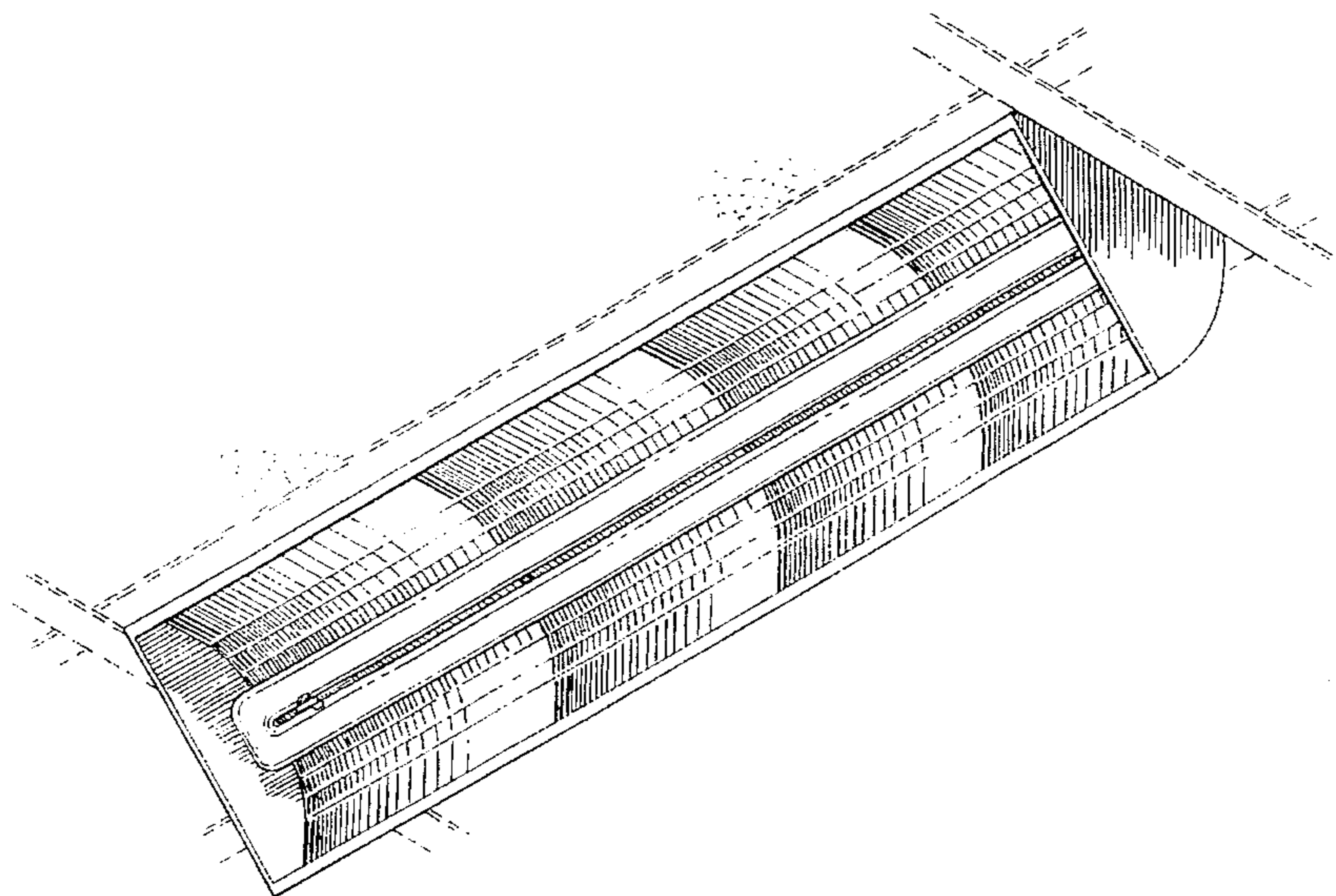
FIG. 10 is a view as seen from the front and lower left of the light fixture of FIG. 1 in a second position; and,

FIG. 11 is a bottom plan view of the light fixture of FIG. 10.

The light fixture of FIG. 8 is identical to the light fixture of FIG. 1 except in the respects shown in FIGS. 8 and 9. The broken lines are shown for illustrative purposes only and form no part of the claimed design.

The second embodiment shown in FIGS. 8 and 9 is identical to the first embodiment except for the additional front grill. The broken lines are shown for illustrative purposes only and form no part of the claimed design.

1 Claim, 7 Drawing Sheets



U.S. PATENT DOCUMENTS			
4,161,019	7/1979	Mulvey	362/147
4,171,535	10/1979	Westermann	362/148
4,204,274	5/1980	Lüderitz	362/287
4,287,554	9/1981	Wolff .	
4,419,717	12/1983	Price et al.	362/148
4,454,569	6/1984	Maguire	362/220
4,511,954	4/1985	Marcus et al.	362/287
4,716,504	12/1987	Pahl et al.	362/365
4,729,080	3/1988	Fremont et al.	362/365
4,739,454	4/1988	Federgreen	362/217
4,799,178	1/1989	Spitz	362/220
4,855,886	8/1989	Eijkelenboom et al.	362/217
4,935,854	6/1990	Kernodle	362/220
4,947,297	8/1990	Druffel et al.	362/147
4,967,324	10/1990	Barclay	362/147
5,145,249	9/1992	Bruckner	362/364 X
5,268,824	12/1993	Czipri	362/287
5,289,358	2/1994	Halemeier	362/365

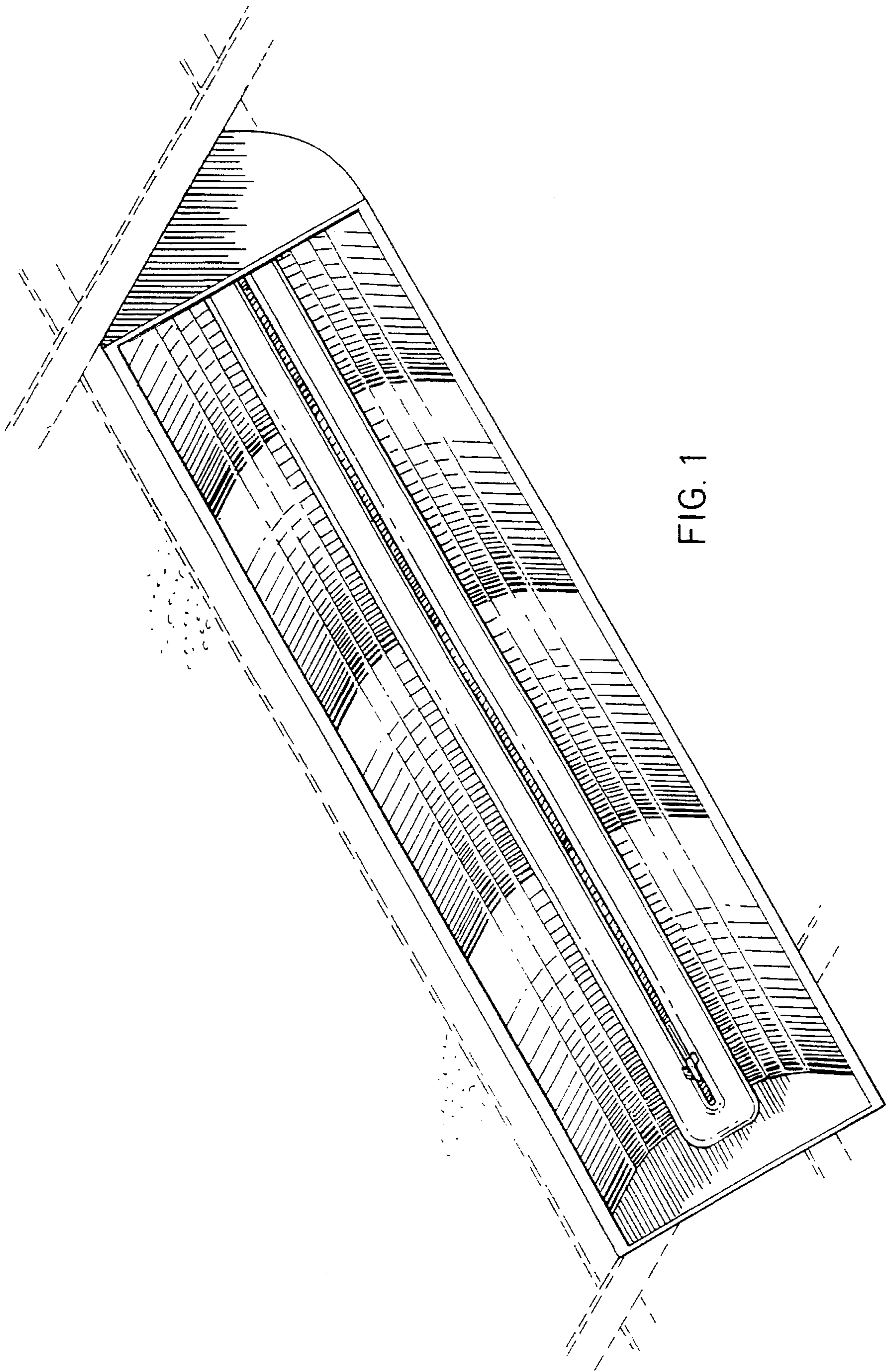


FIG. 1



FIG. 2

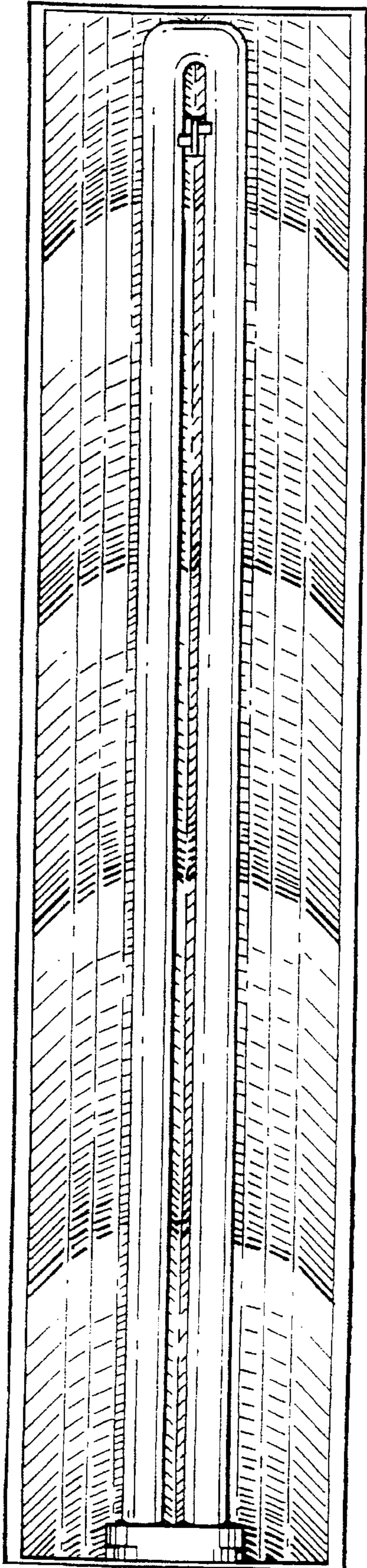


FIG. 11

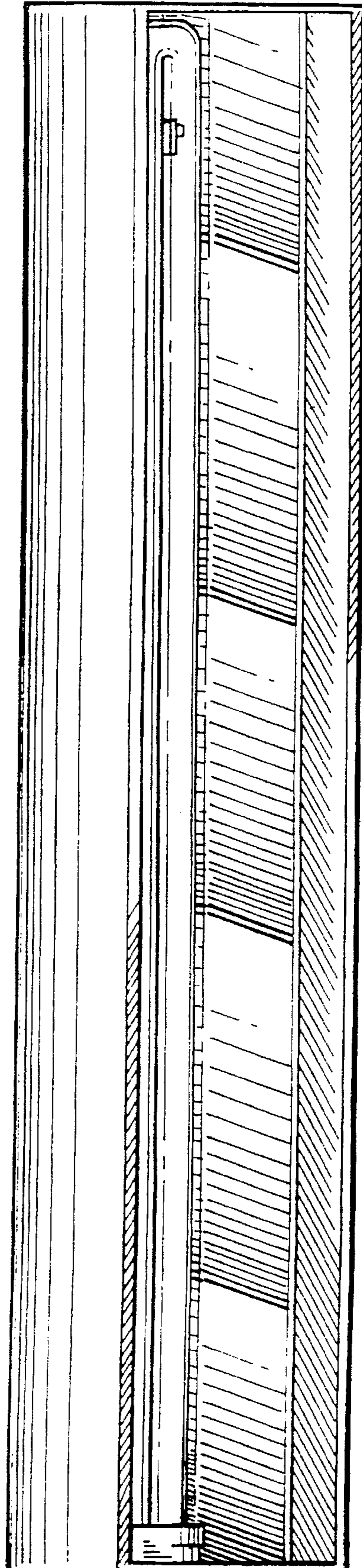


FIG. 3

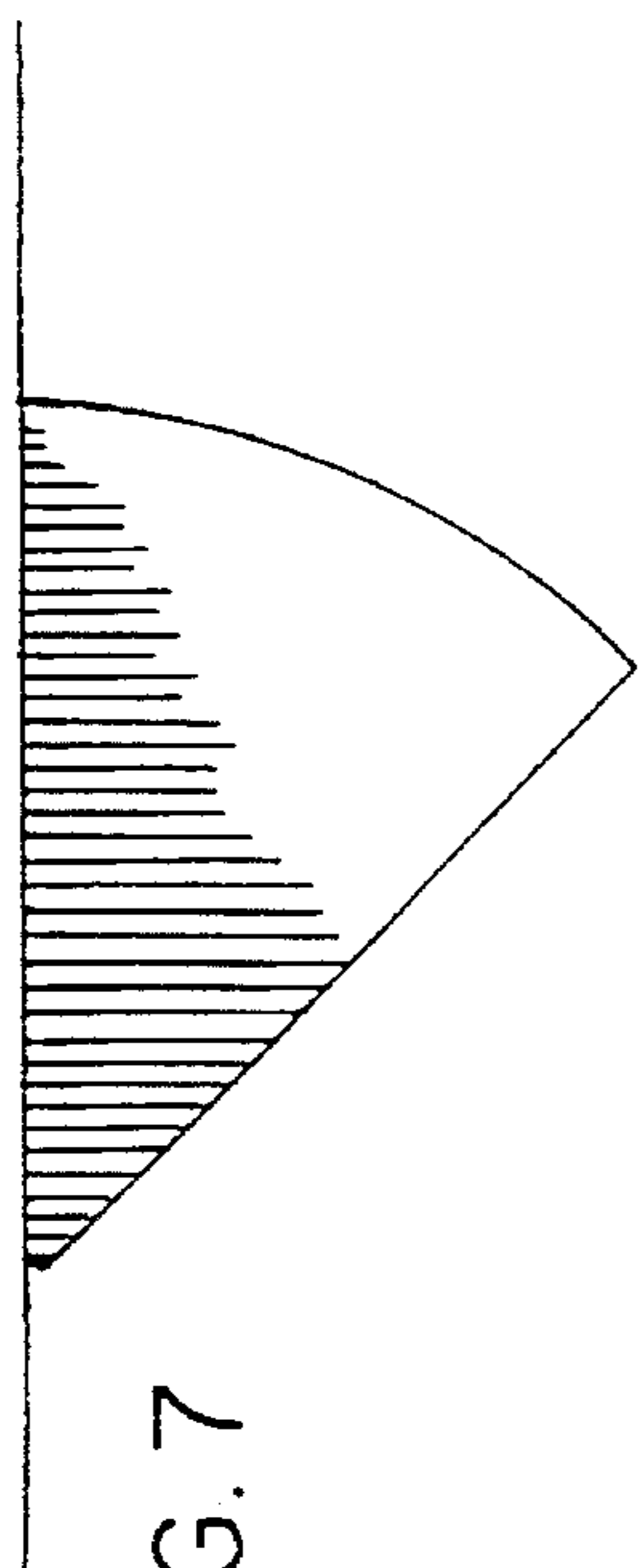


FIG. 6

FIG. 7

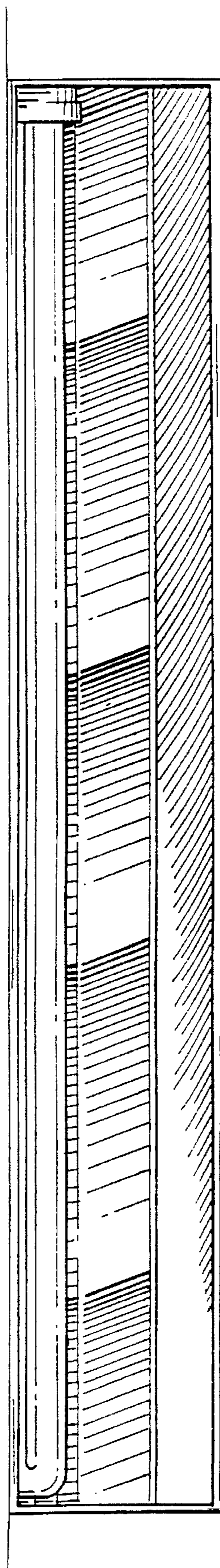


FIG. 4

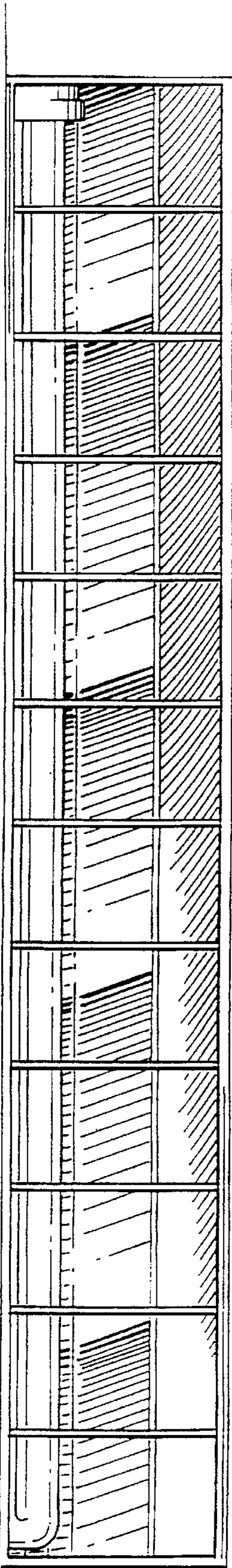


FIG. 9

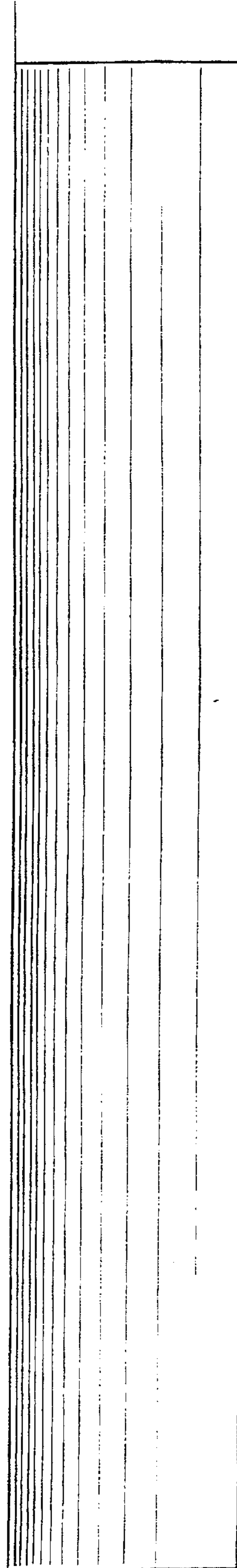


FIG. 5

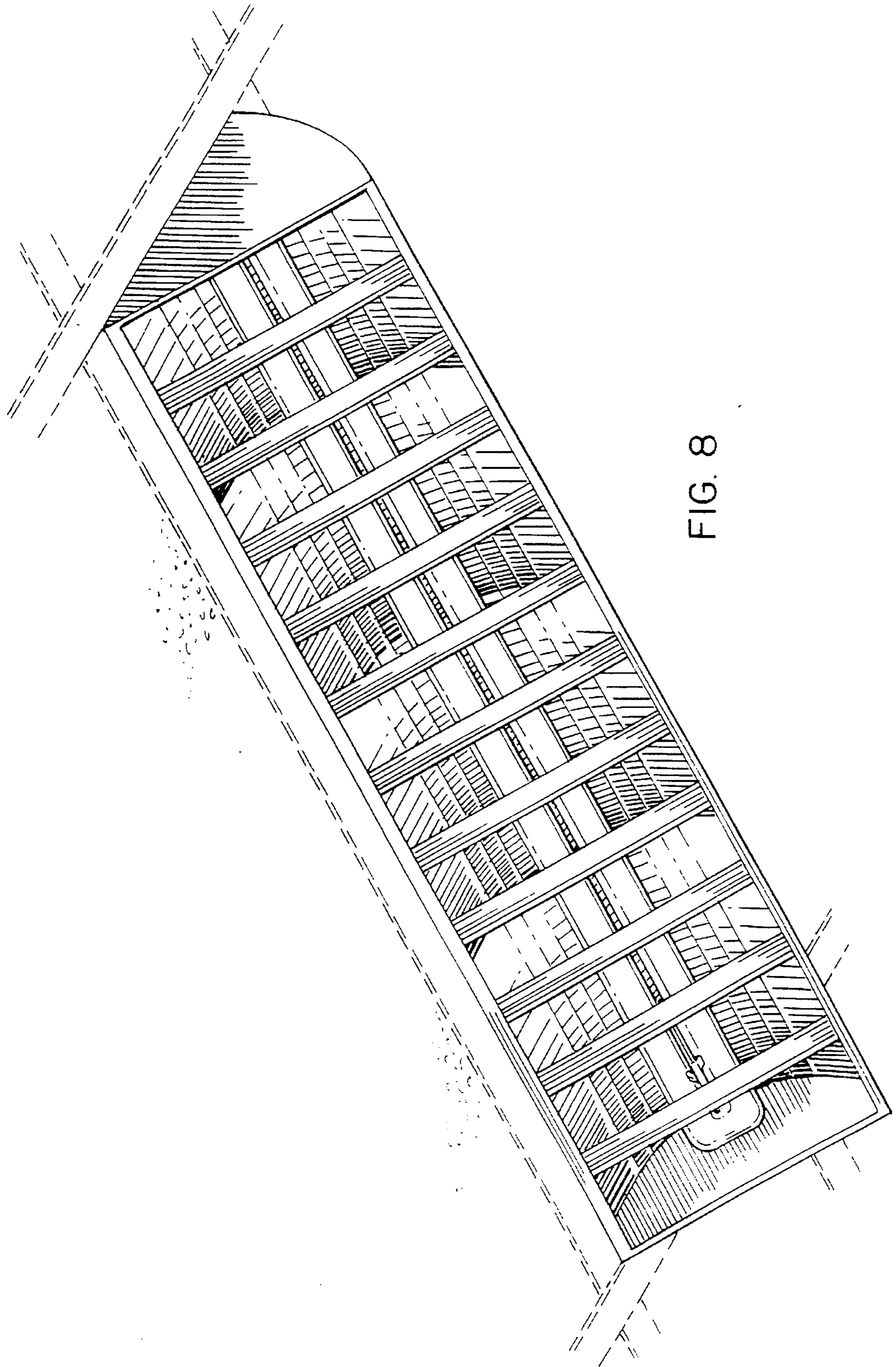


FIG. 8

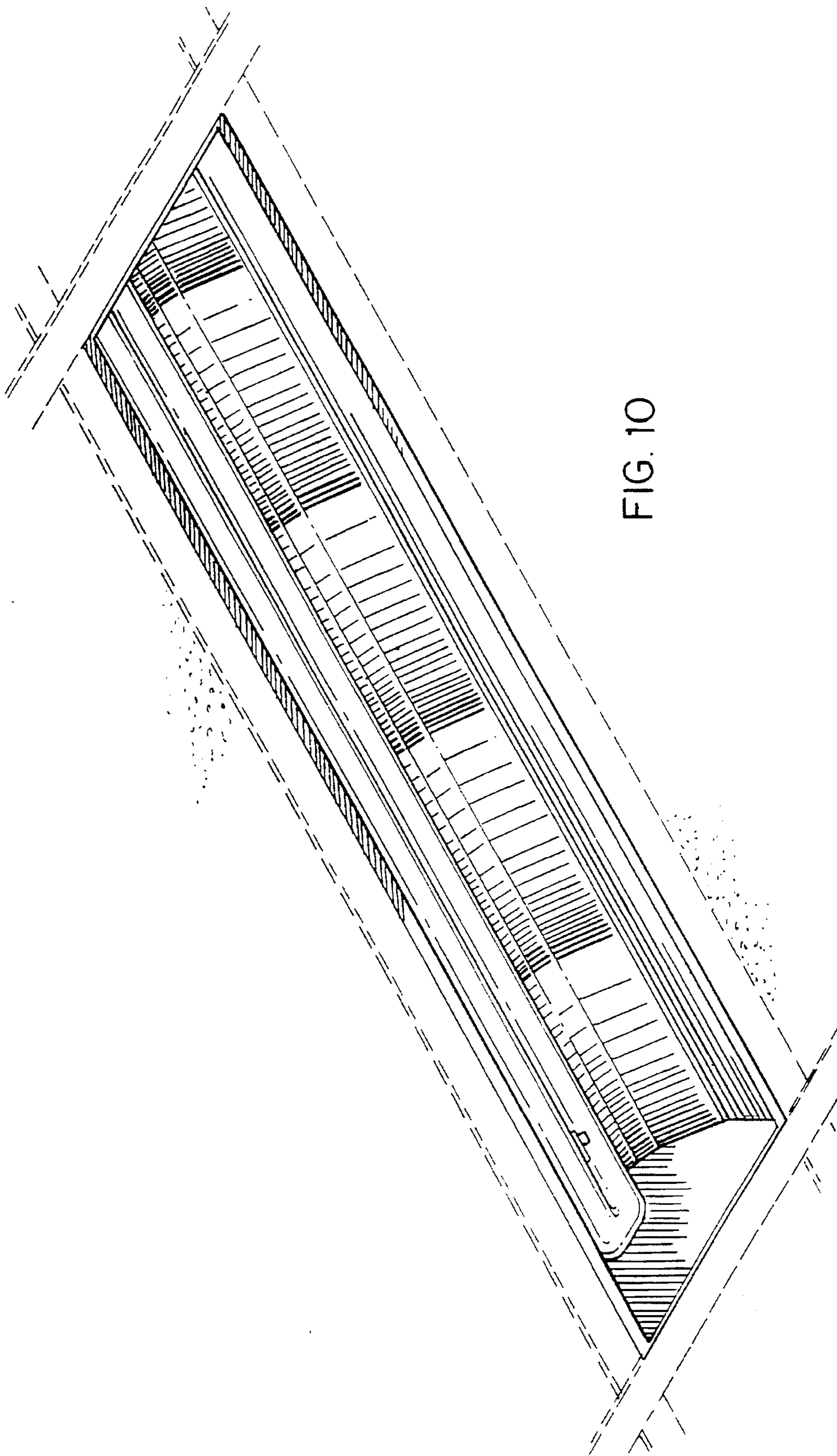


FIG. 10