



US00D379544S

United States Patent [19]

[11] Patent Number: **Des. 379,544**

Yumita et al.

[45] Date of Patent: ****May 27, 1997**

[54] **DESK LAMP**

[75] Inventors: **Atsushi Yumita, Saitama; Naoto Ogimoto, Okayama, both of Japan**

[73] Assignees: **Yamagiwa Kabushiki Kaisha, Tokyo; Kabushiki Kaisha Hayashibara Seibutsu Kagaku Kenkyujo, Okayama, both of Japan**

[**] Term: **14 Years**

[21] Appl. No.: **37,172**

[22] Filed: **Apr. 5, 1995**

[30] **Foreign Application Priority Data**

Oct. 5, 1994 [JP] Japan 6-30248

[51] LOC (6) Cl. **26-05**

[52] U.S. Cl. **D26/65**

[58] Field of Search D26/60-66, 107; 362/410-414, 418, 419, 269, 427

[56] **References Cited**

U.S. PATENT DOCUMENTS

- D. 135,479 4/1943 Hopkins D26/60
- D. 327,749 7/1992 Magnin et al. D26/63
- D. 331,635 12/1992 Matsuda .
- D. 331,813 12/1992 Matsuda .
- D. 348,114 6/1994 Blumer D26/65
- D. 352,125 11/1994 Hayashibara .

OTHER PUBLICATIONS

Yamagiwa, Bio-Lite Series (brochure).
 Luxo Yamagiwa (pp. 1-10).
 Luxo Yamagiwa (pp. 1-28).
 Luxo General Catalogue 1993/94.
Primary Examiner—Kay H. Chin
Attorney, Agent, or Firm—Browdy and Neimark

[57] **CLAIM**

The ornamental design for a desk lamp, as shown and described.

DESCRIPTION

FIG. 1 is a front elevational view of a desk lamp according to the present design;
 FIG. 2 is a rear elevational view thereof;
 FIG. 3 is a top plan view thereof;
 FIG. 4 is a bottom plan view thereof;
 FIG. 5 is a right side view thereof;
 FIG. 6 is a left side view thereof;
 FIG. 7 is a left side view thereof showing a state in which two shaft members of the upper arm part closely contact each other;
 FIG. 8 is a left side view thereof showing a state in which two shaft members of the lower arm part closely contact each other;
 FIG. 9 is a left side view thereof showing a state in which two shaft members of the both upper and lower arm parts closely contact each other respectively; and,
 FIG. 10 is a left side view thereof showing a state in which the head rotates left.

1 Claim, 4 Drawing Sheets

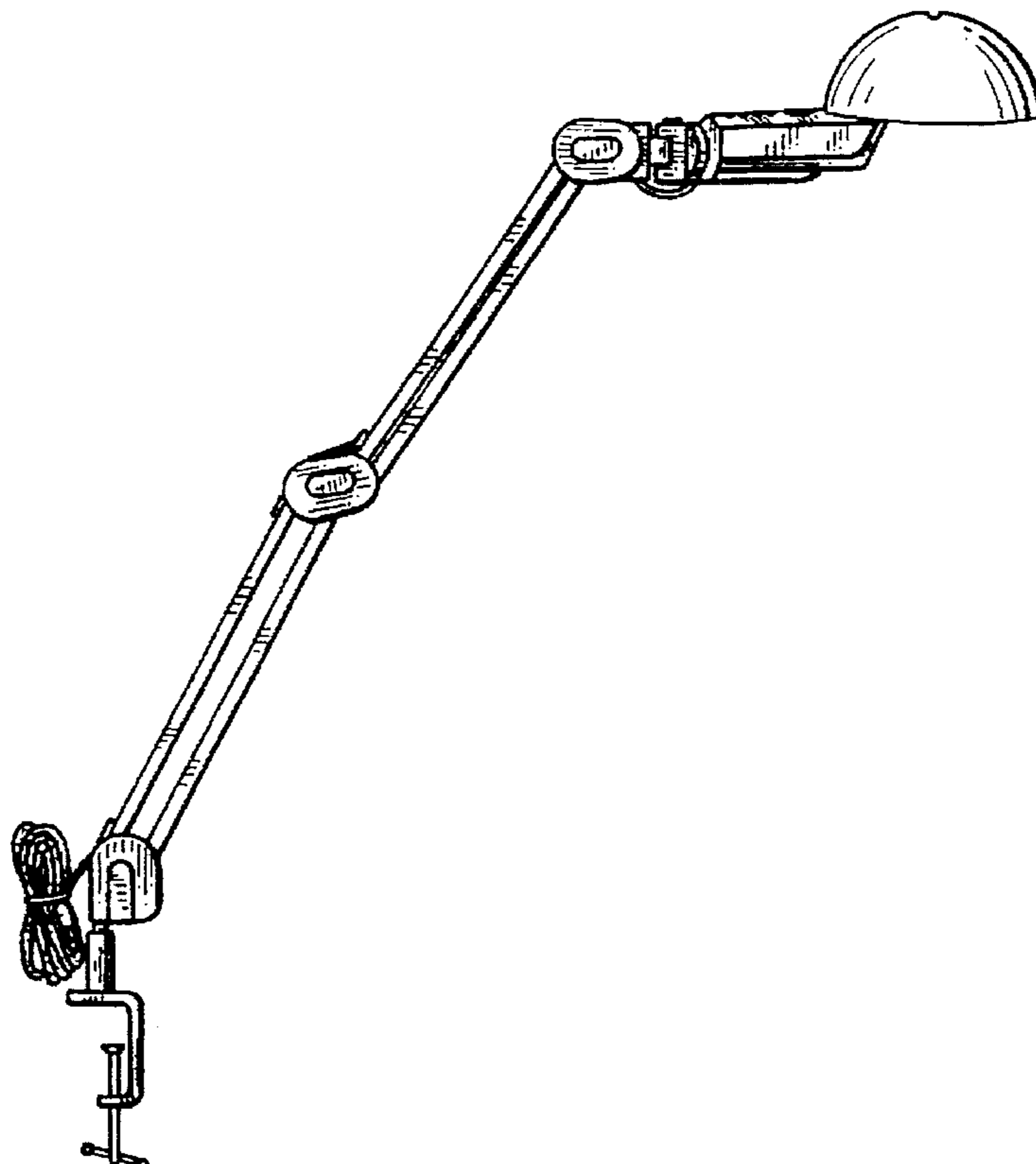


FIG. 1

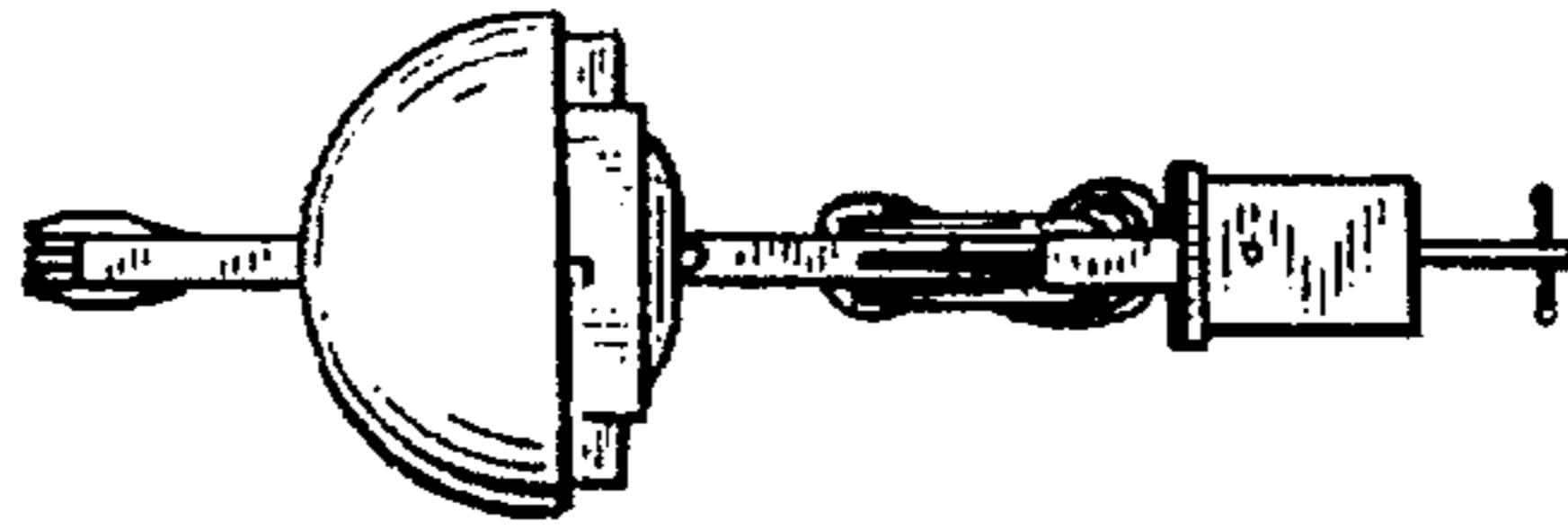


FIG. 2

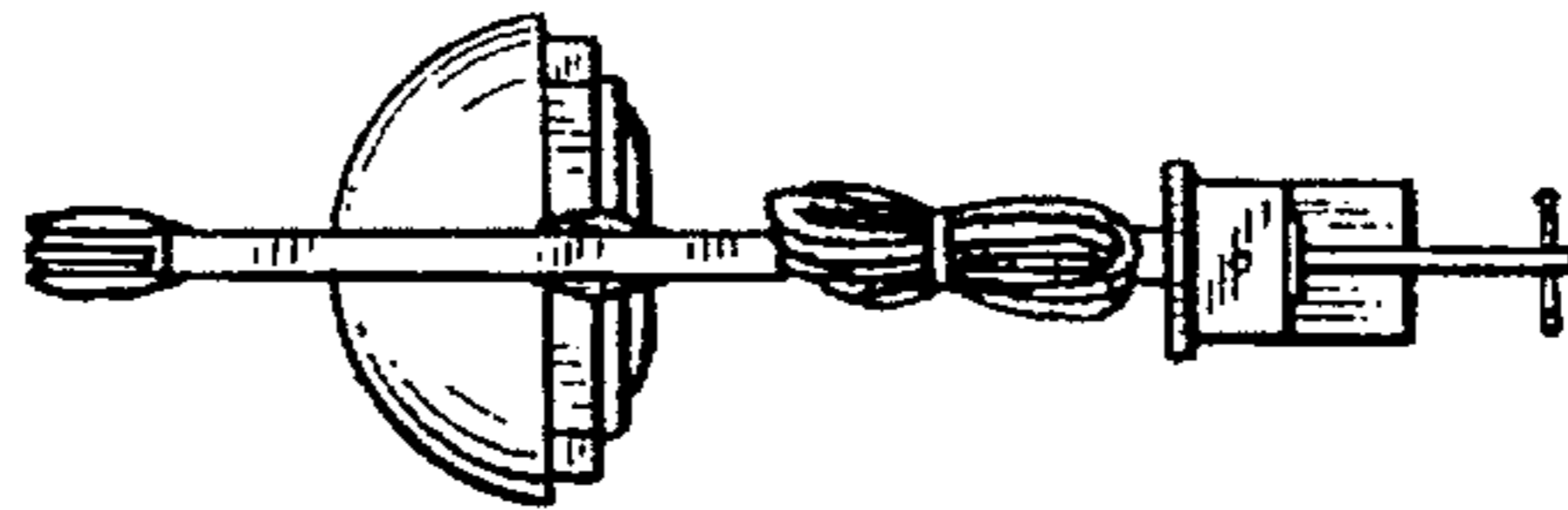


FIG. 3

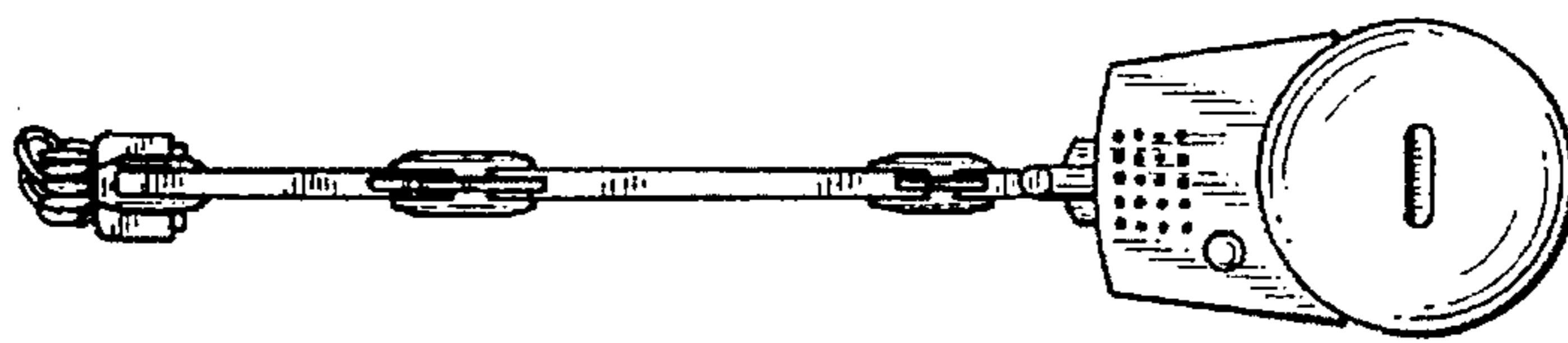


FIG. 4

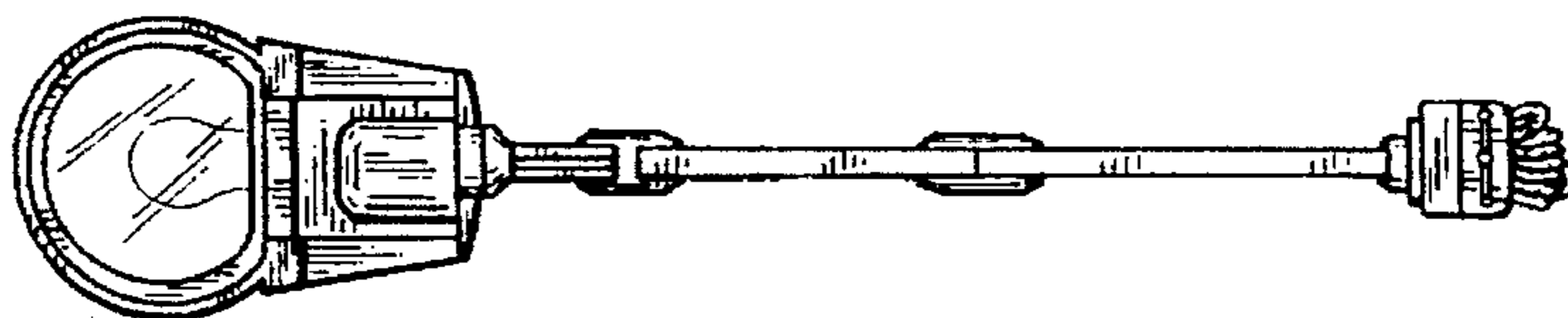


FIG. 5

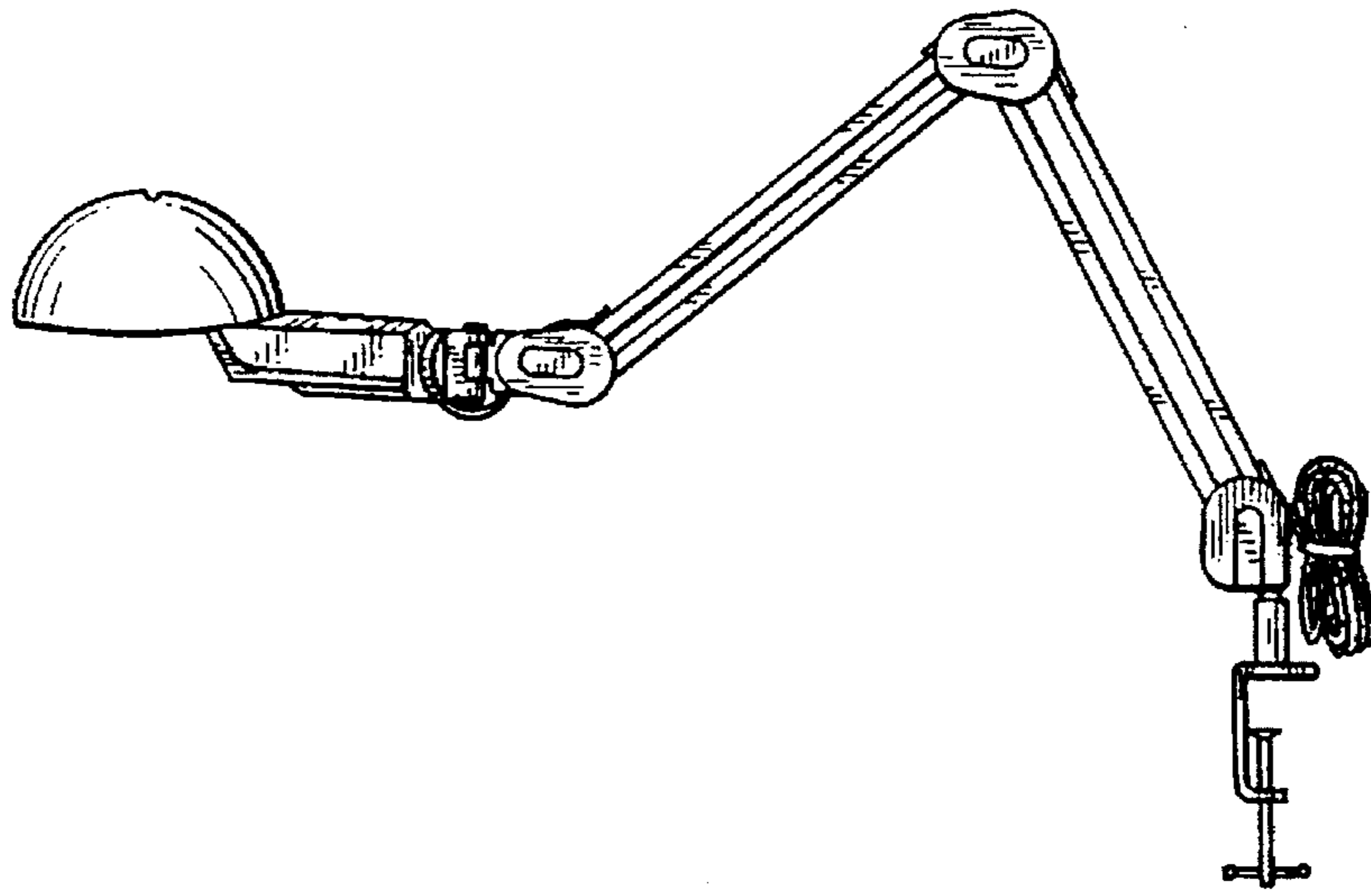


FIG. 6

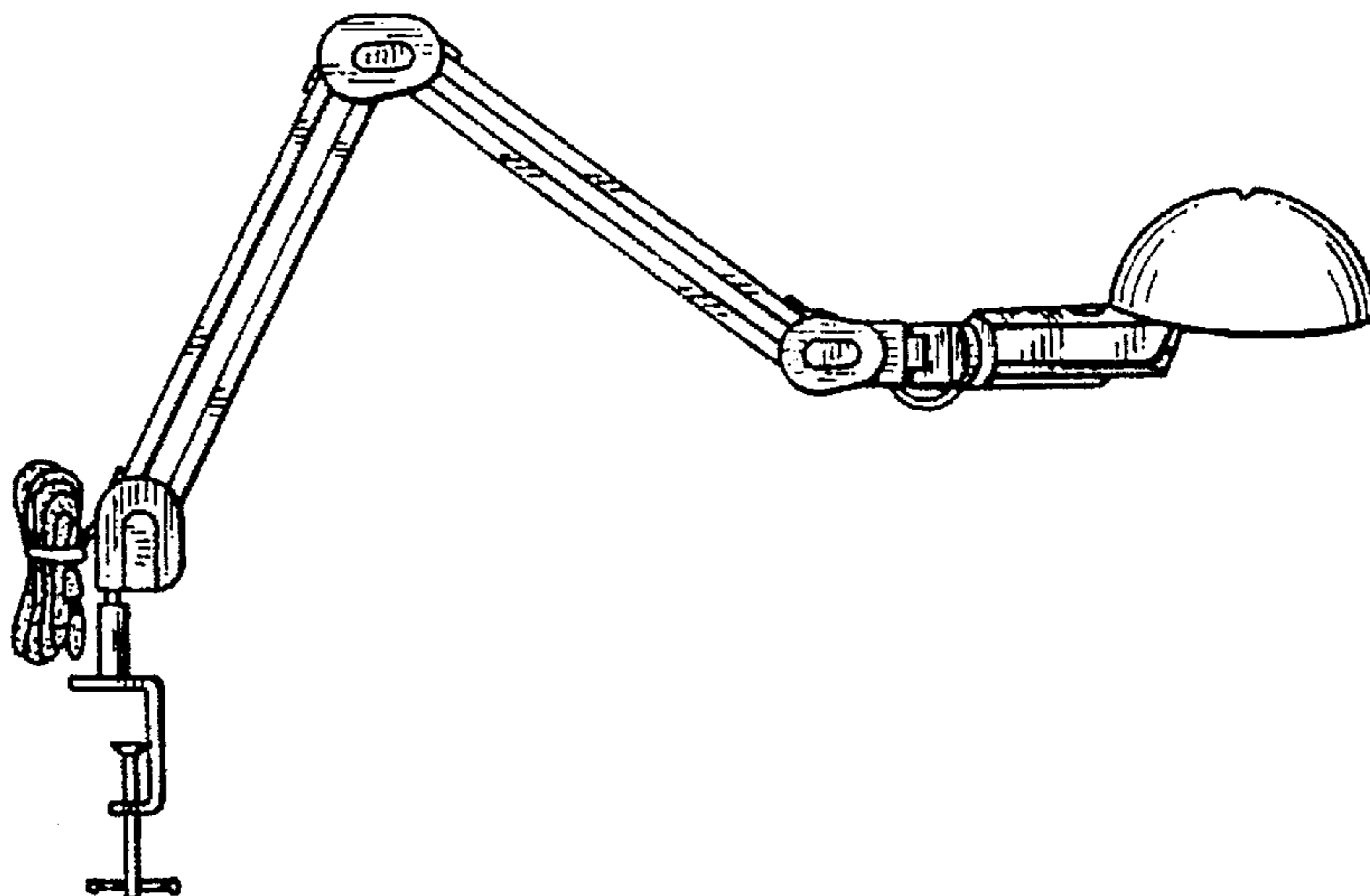


FIG. 7

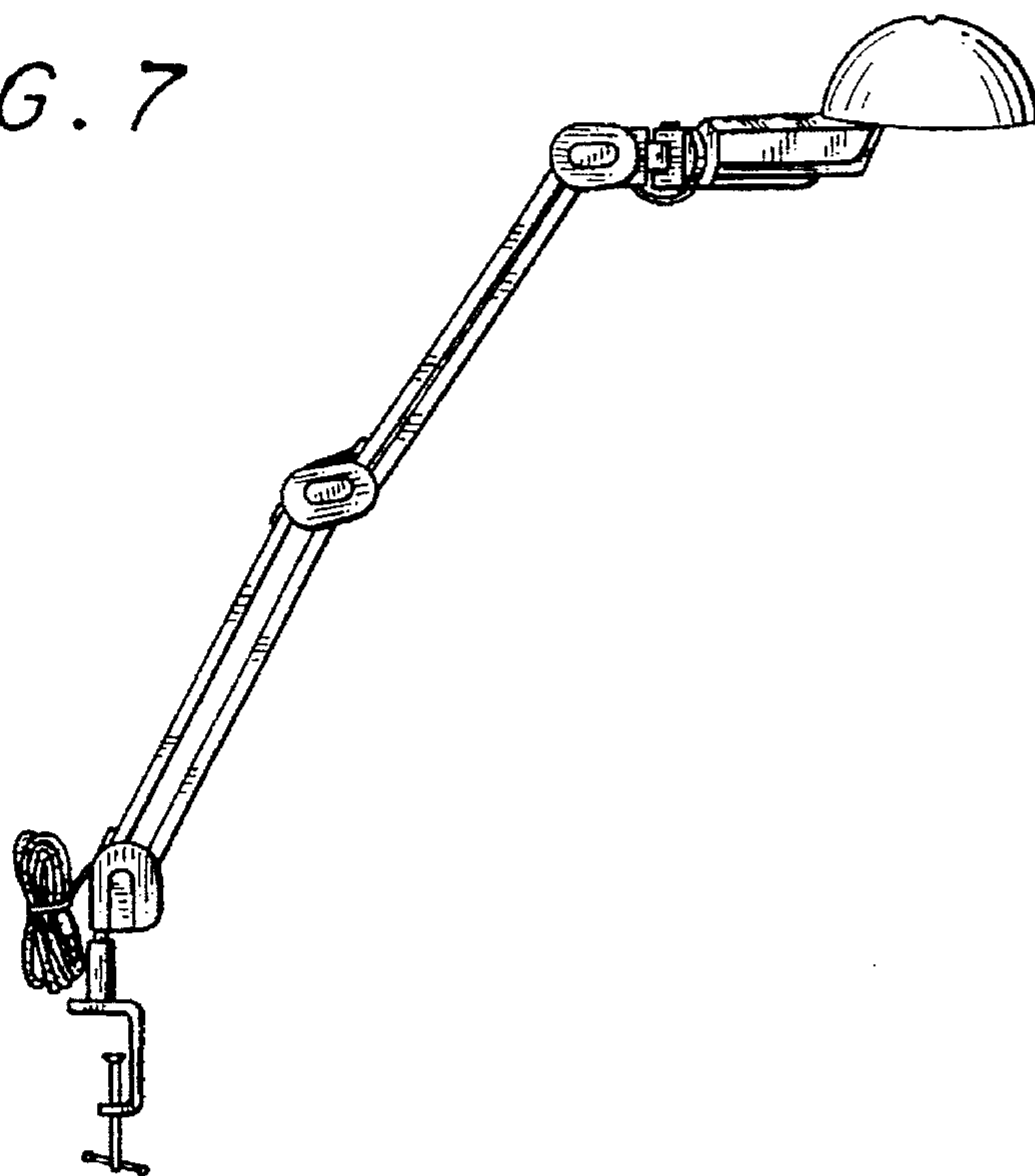


FIG. 8

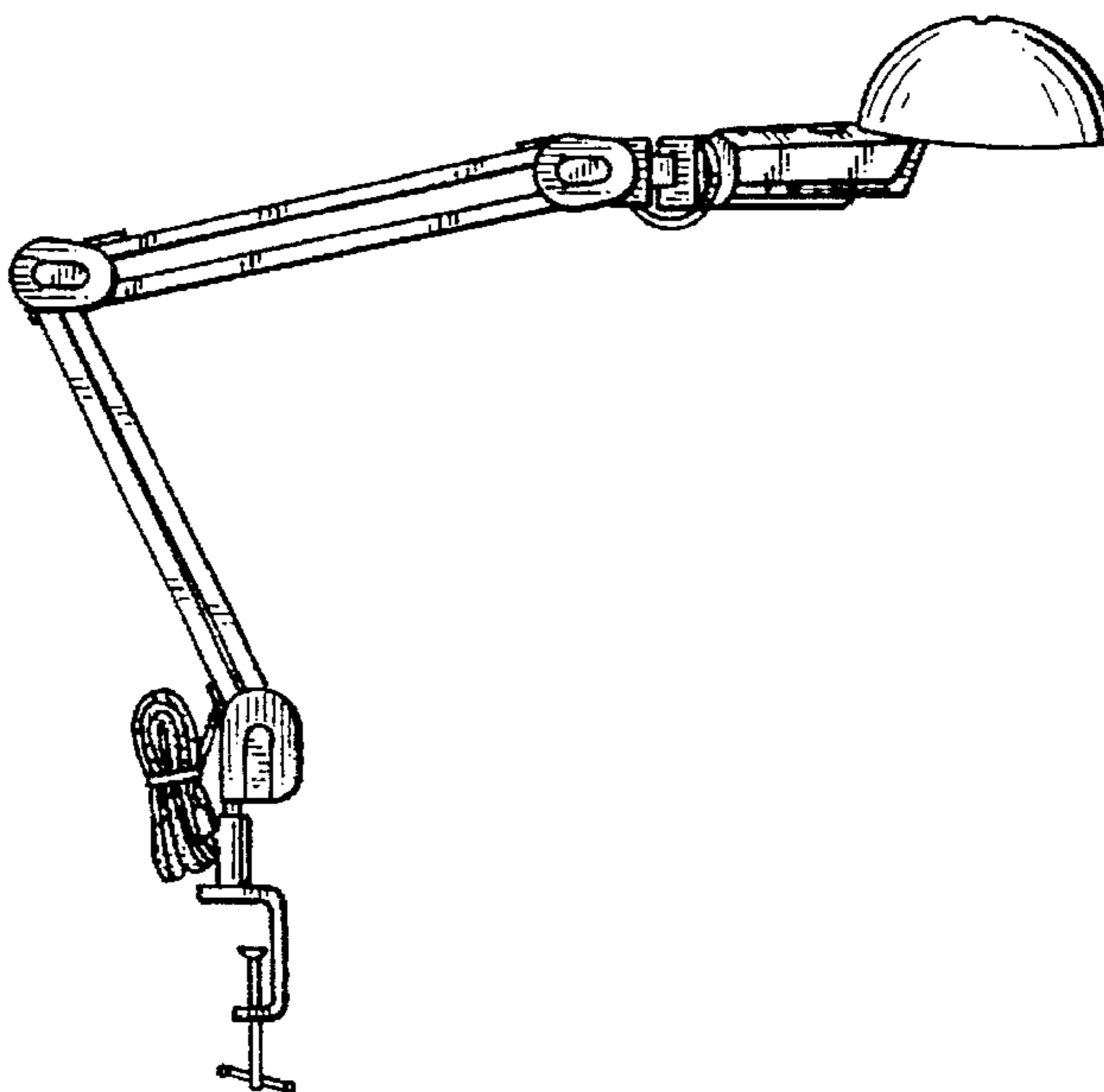


FIG. 9

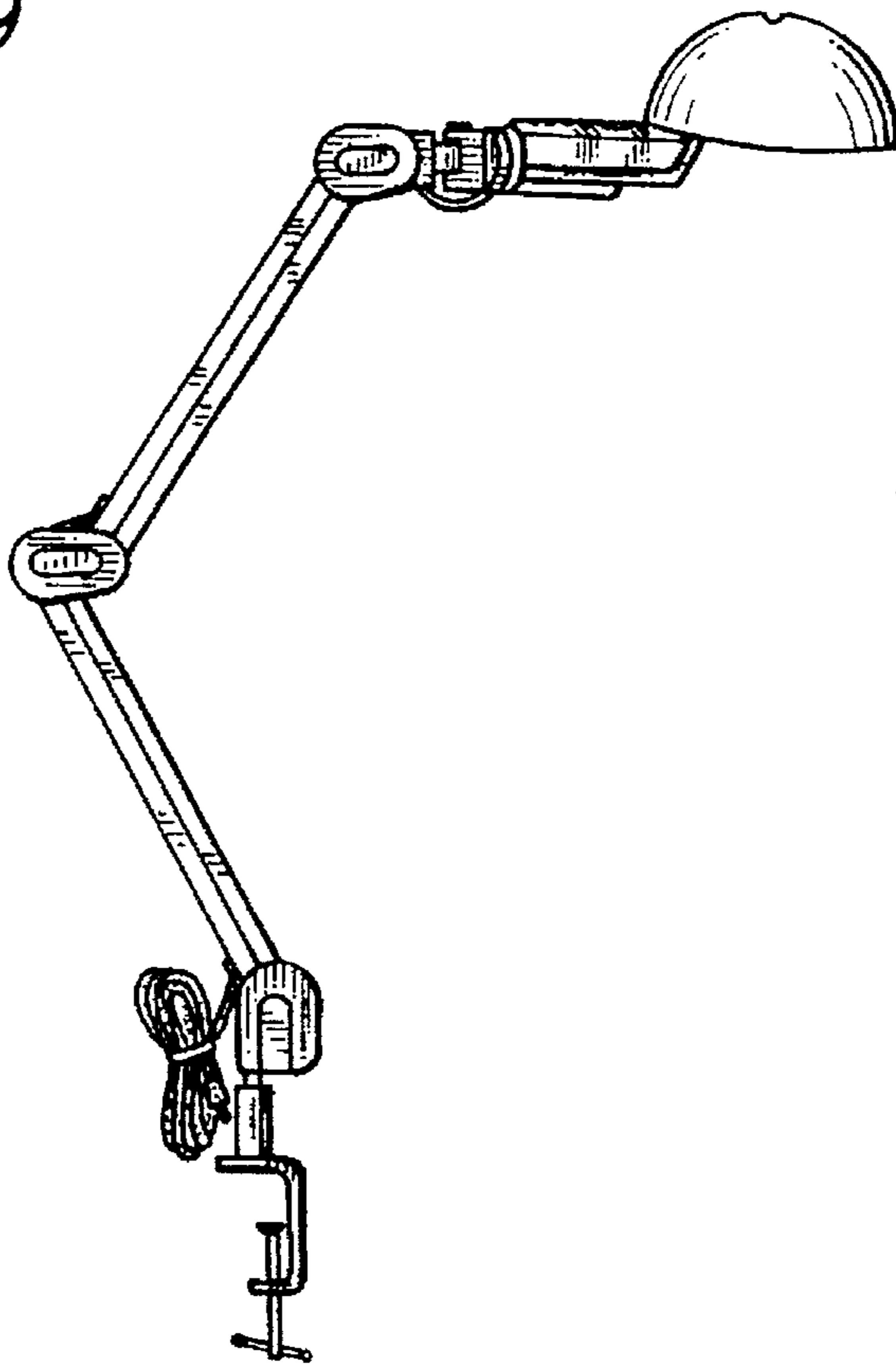


FIG. 10

