



US00D379543S

**United States Patent** [19]  
**Lin**

[11] **Patent Number: Des. 379,543**  
[45] **Date of Patent: \*\*May 27, 1997**

[54] **PROJECTION LAMP**

[76] Inventor: **Jung-Pin Lin**, No. 327-1, Sec. 1,  
Ming-Shen N. Rd., Kwei Shan Village,  
Taoyuan Hsien, Taiwan

[\*\*] Term: **14 Years**

[21] Appl. No.: **48,362**

[22] Filed: **Dec. 27, 1995**

[51] LOC (6) Cl. .... **26-05**

[52] U.S. Cl. .... **D26/63**

[58] Field of Search ..... D26/60, 61, 62,  
D26/63, 65; 362/147, 404, 269, 275, 287,  
418, 419, 427

[56] **References Cited**

**U.S. PATENT DOCUMENTS**

5,448,459 9/1995 Rogers ..... 362/396 X

**OTHER PUBLICATIONS**

Domus, Oct. 1988-ADS-p.86, Spotlight.  
Progressive Architecture, Apr. 1986, p. 41LW, Capri Halo-  
gen Spotlight.

*Primary Examiner*—Susan J. Lucas

[57] **CLAIM**

The ornamental design for a projection lamp, as shown and  
described.

**DESCRIPTION**

FIG. 1 is a perspective view of a projection lamp showing  
my new design;

FIG. 2 is a front elevational view thereof;

FIG. 3 is a rear elevational view thereof;

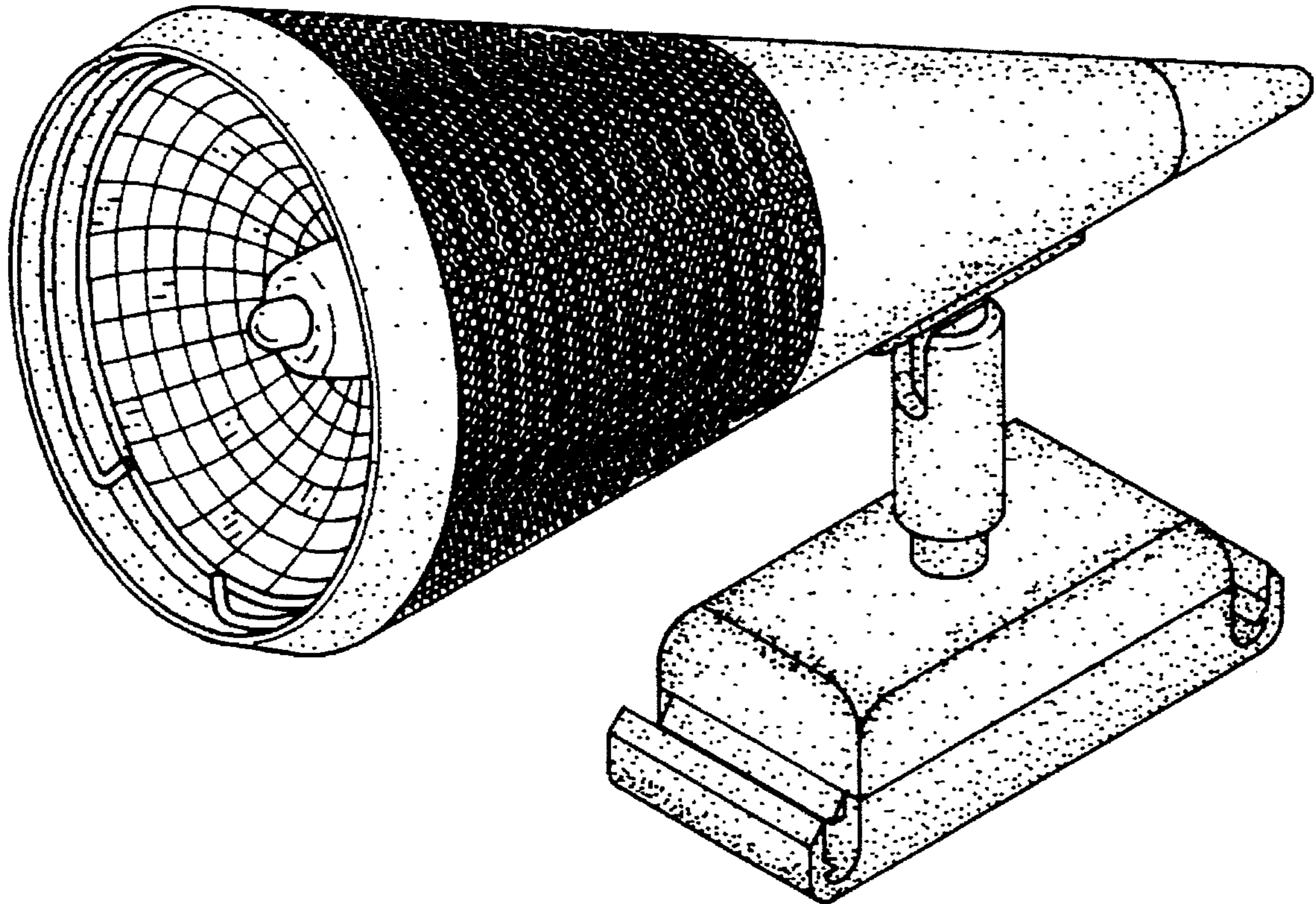
FIG. 4 is a left side elevational view thereof;

FIG. 5 is a right side elevational view thereof;

FIG. 6 is a top plan view thereof; and,

FIG. 7 is a bottom plan view thereof.

**1 Claim, 4 Drawing Sheets**



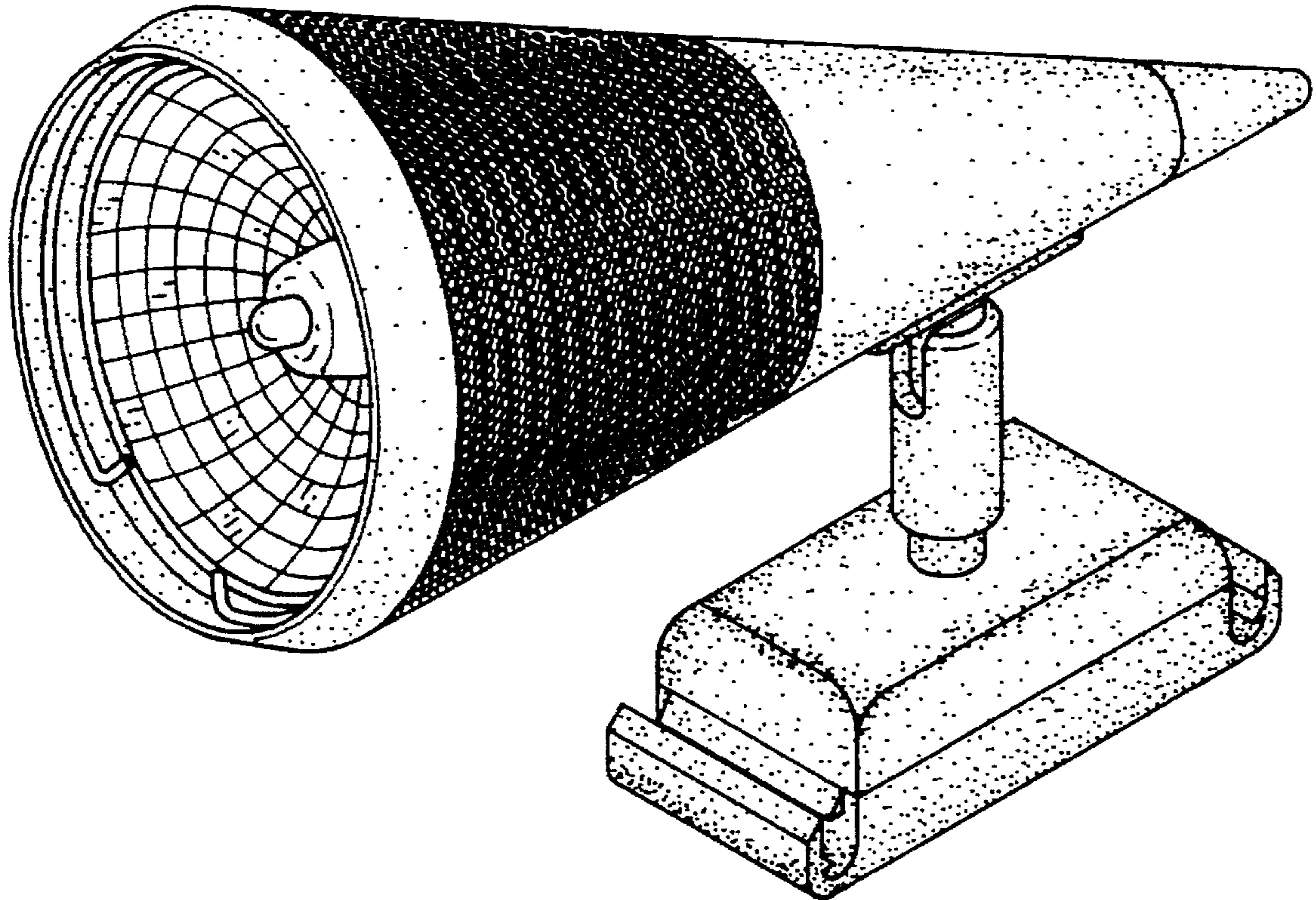


FIG. 1

FIG. 2

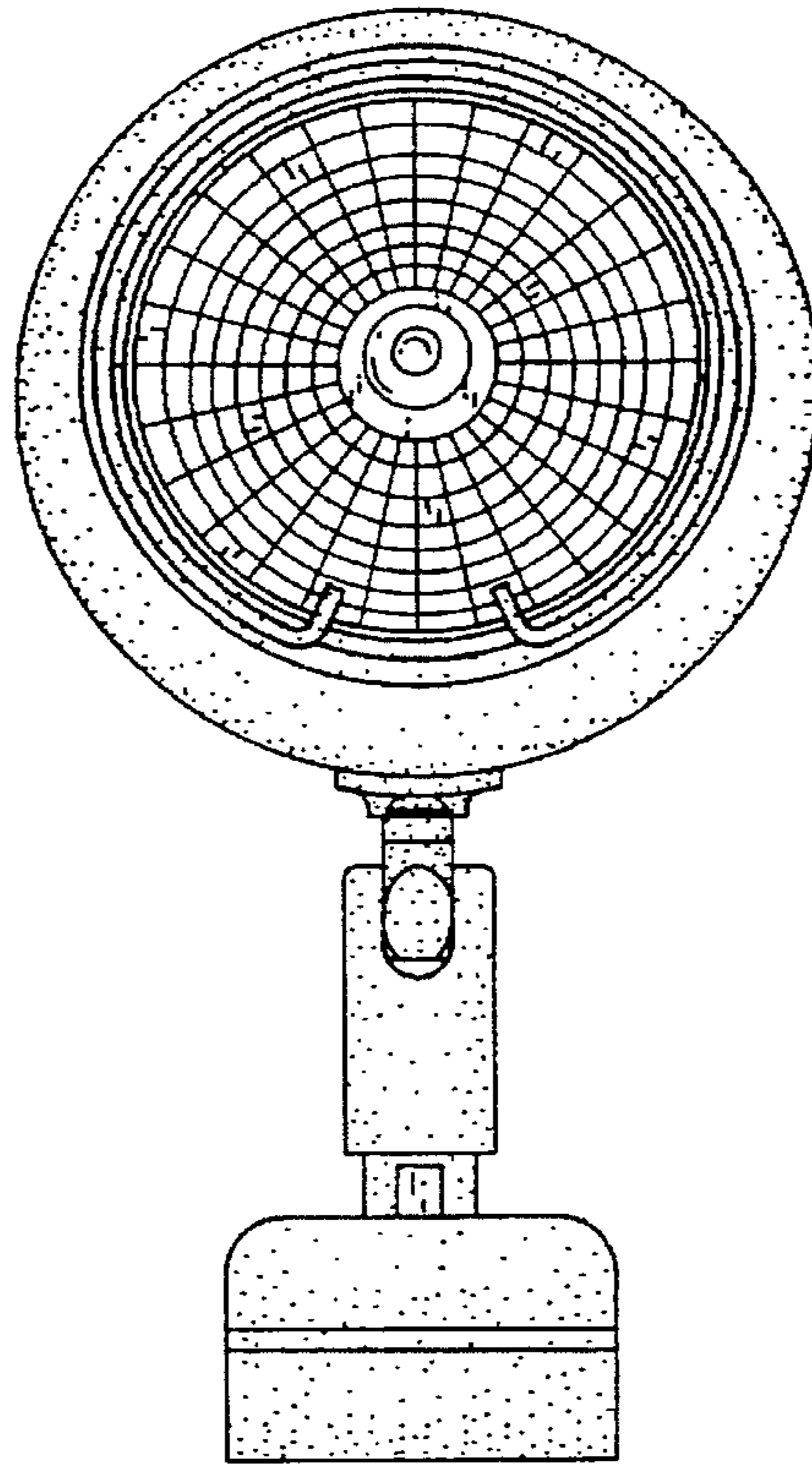
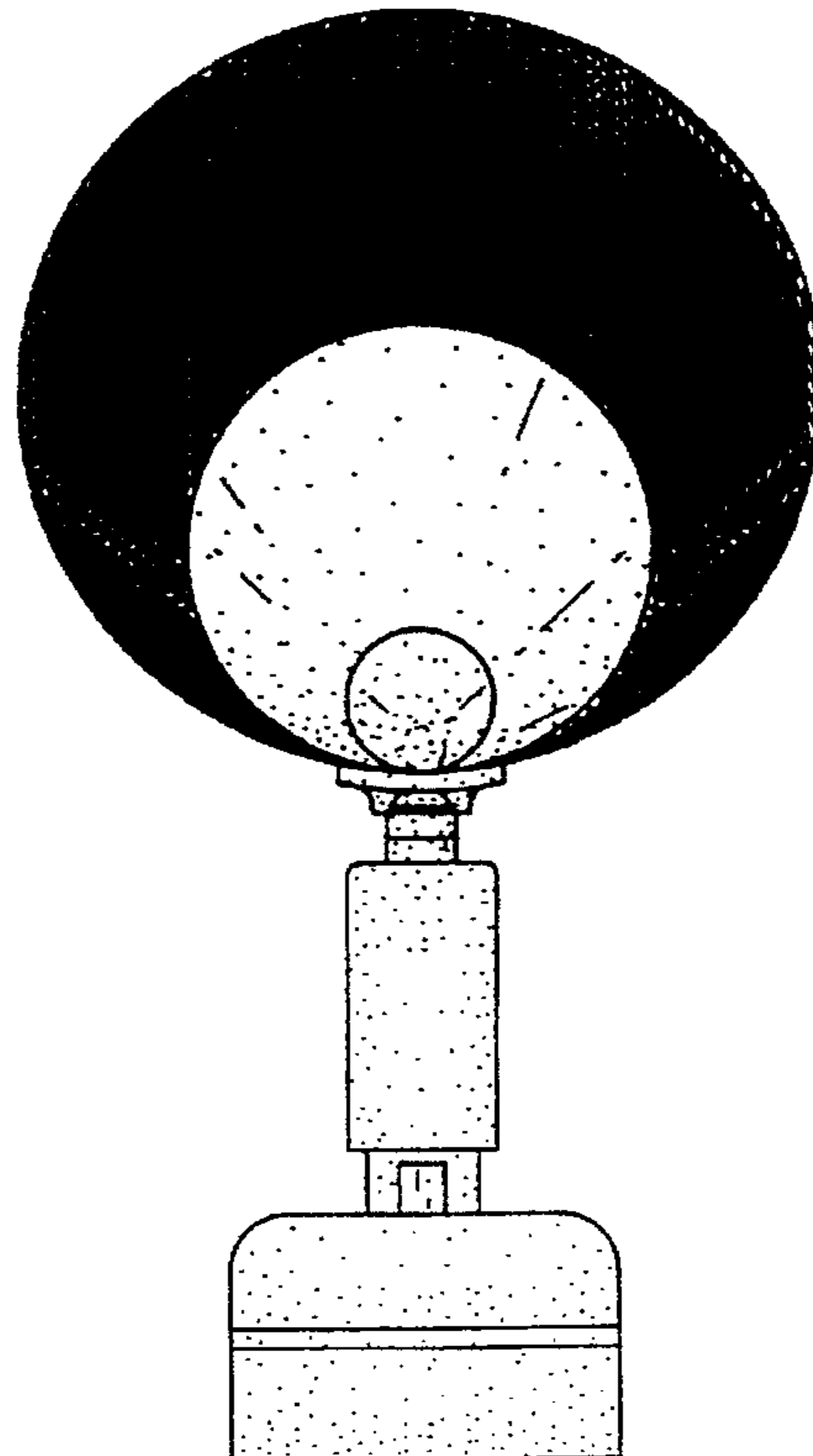


FIG. 3



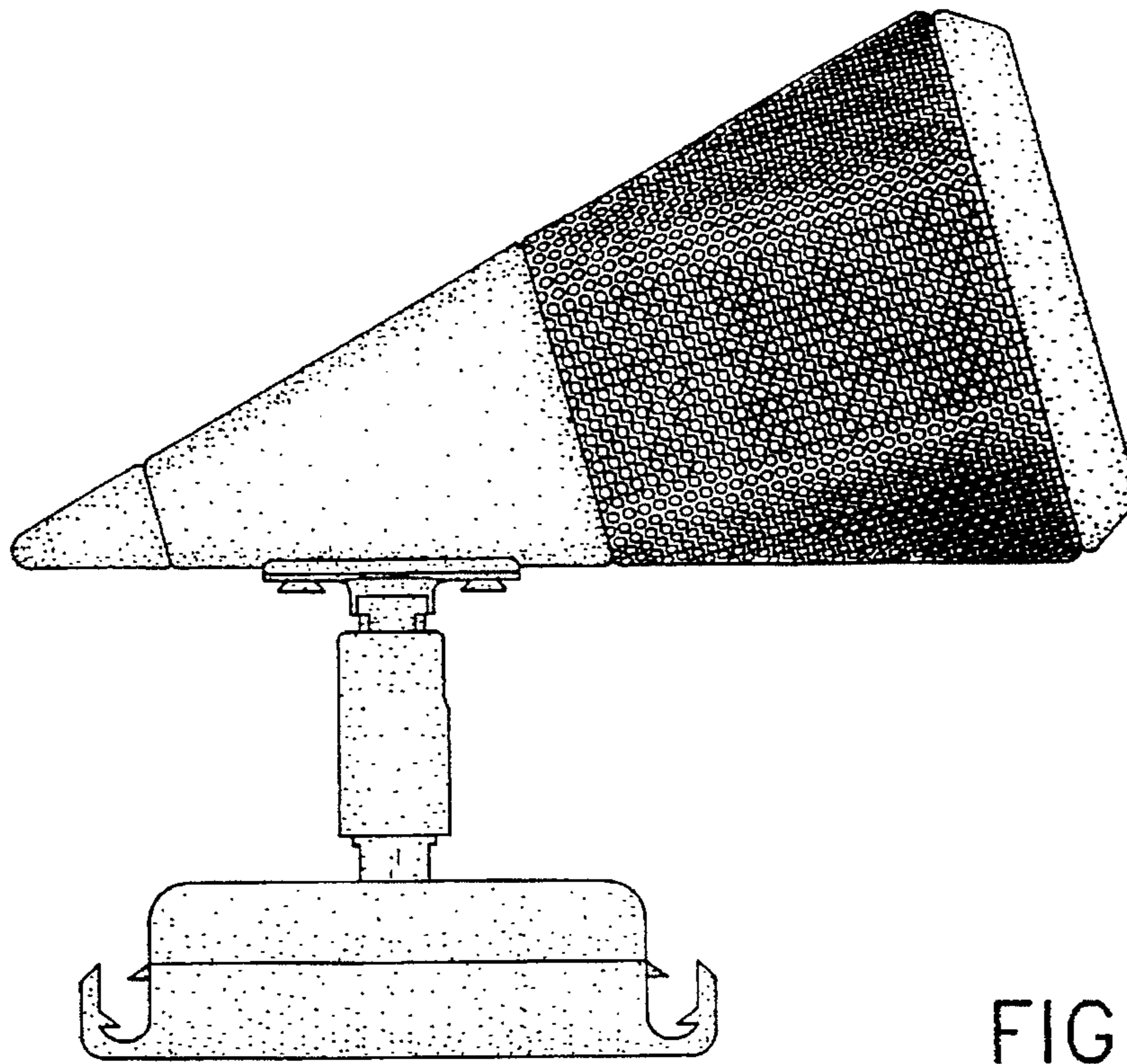


FIG. 4

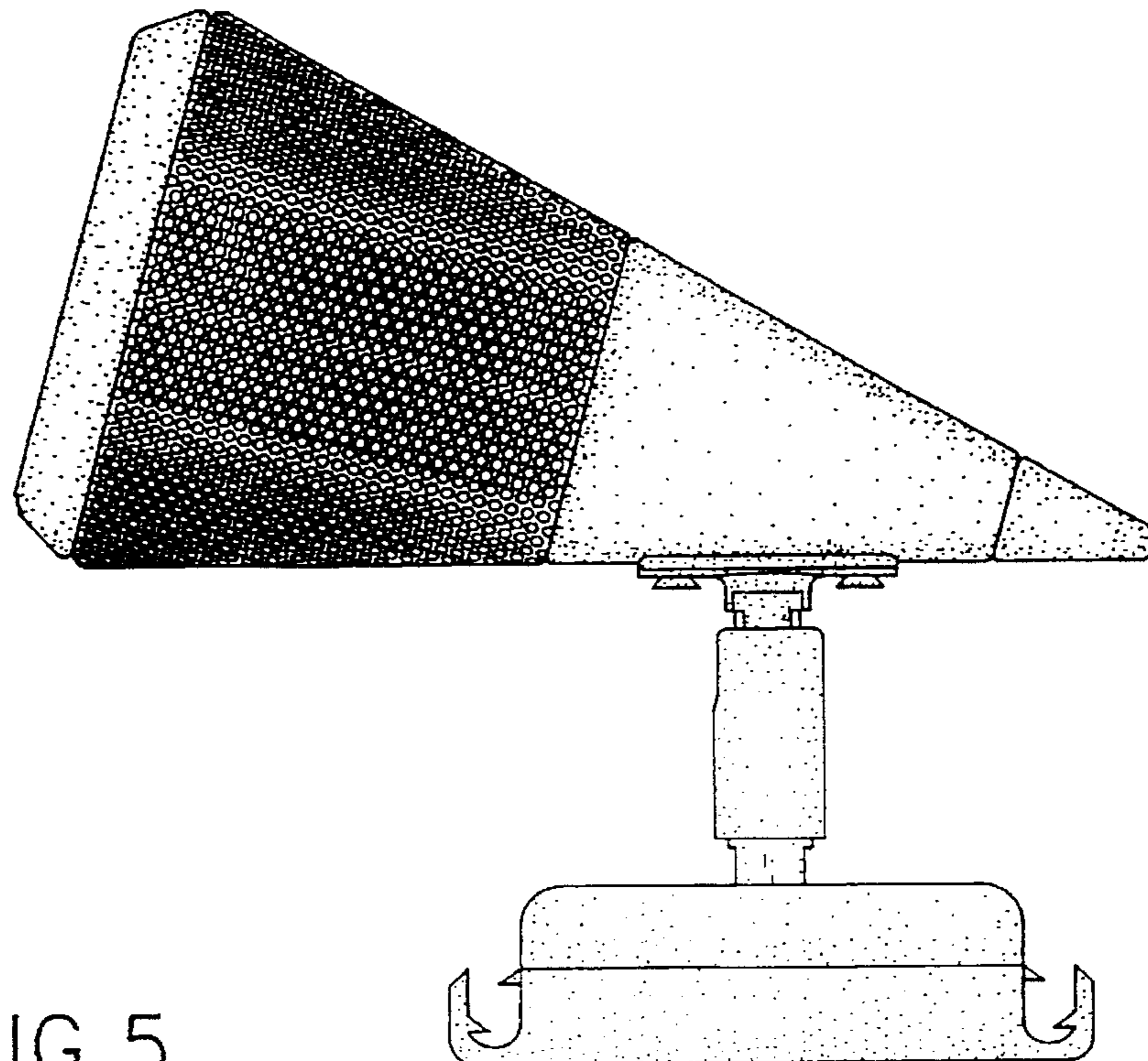


FIG. 5

FIG.6

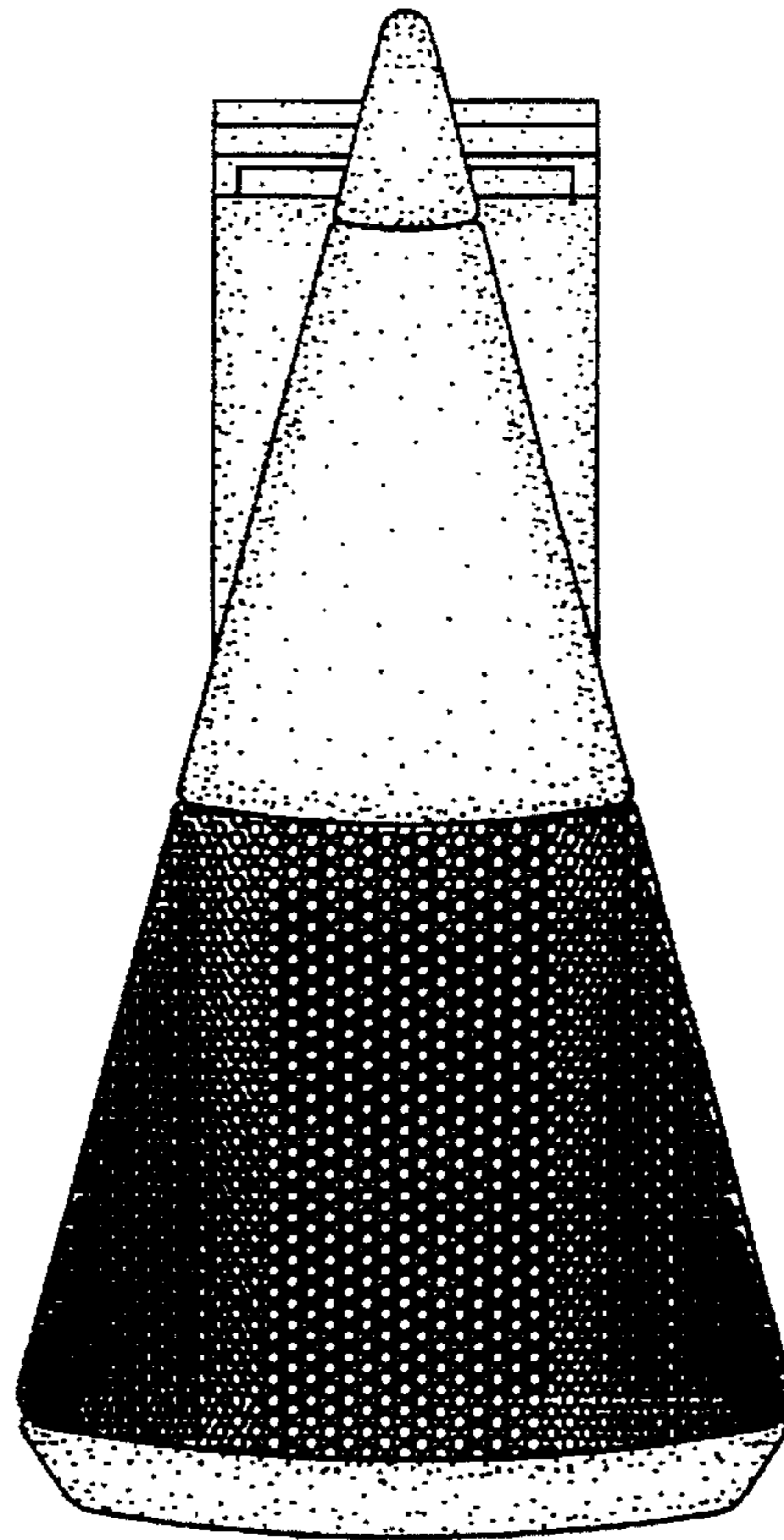


FIG.7

