



US00D379540S

**United States Patent** [19]  
**Szymanski**

[11] **Patent Number: Des. 379,540**  
[45] **Date of Patent: \*\*May 27, 1997**

[54] **HEAD FOR A FLEXIBLE FLASHLIGHT**

671733 2/1986 Japan ..... D26/43  
671734 2/1986 Japan ..... D26/43

[75] Inventor: **Aaron Szymanski**, Bristol, Conn.

[73] Assignee: **Black & Decker Inc.**, Newark, Del.

[\*\*] Term: **14 Years**

*Primary Examiner*—A. Hugo Word  
*Assistant Examiner*—Lavone D. Tabor

[21] Appl. No.: **37,594**

[57] **CLAIM**

[22] Filed: **Apr. 17, 1995**

The ornamental design for a head for a flexible flashlight, as shown and described.

[51] **LOC (6) Cl.** ..... **26-02**

**DESCRIPTION**

[52] **U.S. Cl.** ..... **D26/43**

[58] **Field of Search** ..... D26/37, 43, 44,  
D26/46, 49, 60, 62; 362/157, 158, 184,  
188, 189, 191, 199, 200, 202, 362, 396

FIG. 1 is a perspective view taken from the front, top, and right side of a head for a flexible flashlight illustrating my new design, the portion shown in phantom is illustrative of a flexible core to which my new design may be attached; FIG. 2 is a right side elevational view thereof; FIG. 3 is a left side elevational view thereof; FIG. 4 is a front elevational view thereof; FIG. 5 is a rear elevational view thereof; FIG. 6 is a top plan view thereof; and, FIG. 7 is a bottom plan view thereof.

[56] **References Cited**

The broken lines are for illustrative purposes only and forms no part of the claimed design.

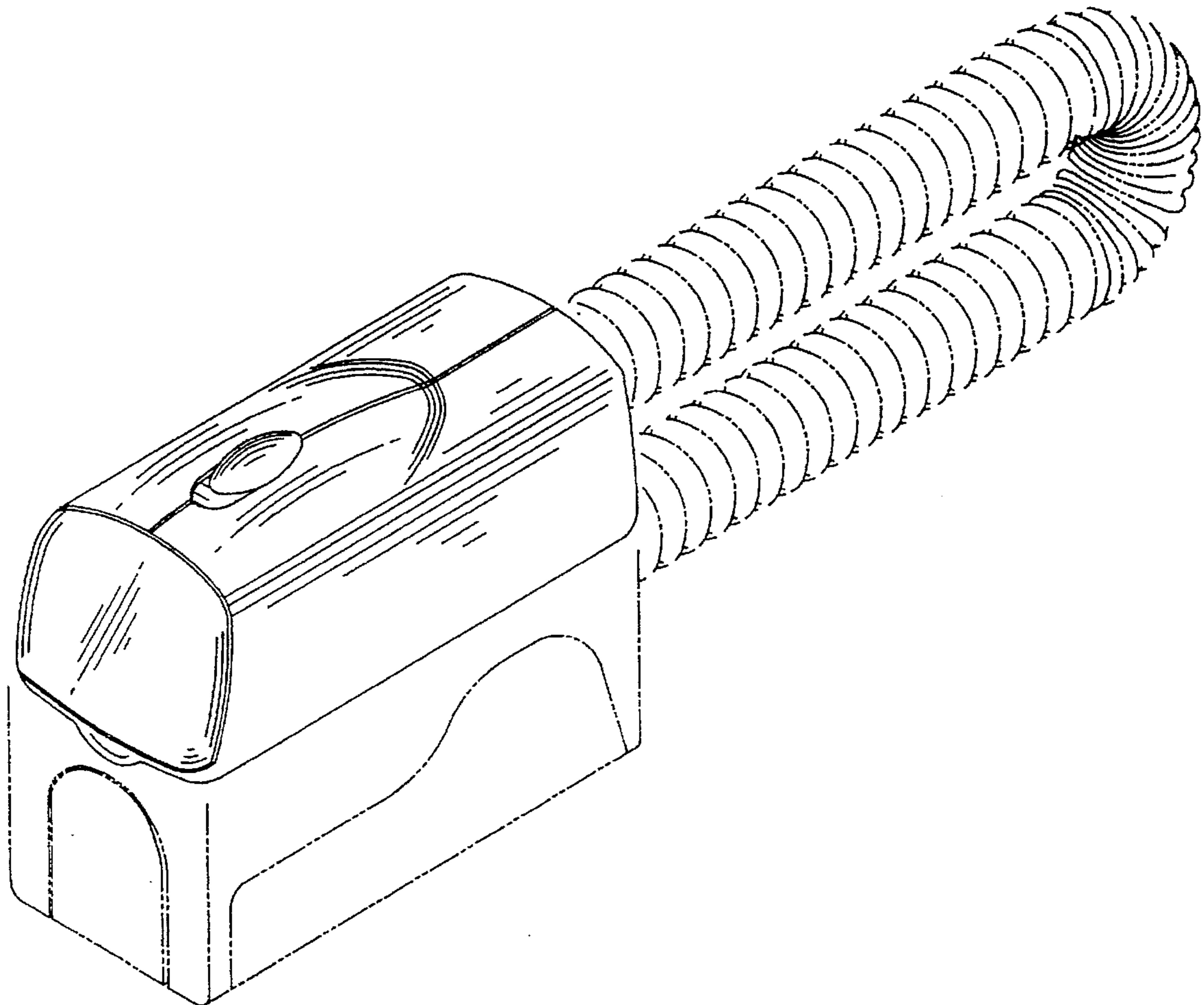
**U.S. PATENT DOCUMENTS**

- D. 147,258 8/1947 Becker ..... D26/43
- D. 166,073 3/1952 Dunkelberger ..... D26/43
- D. 314,246 1/1991 Bache ..... D26/62
- D. 328,146 7/1992 Sinsteden ..... D26/49
- 3,111,277 11/1963 Grimsley ..... D26/43 X

**FOREIGN PATENT DOCUMENTS**

- 604541 7/1983 Japan ..... D26/43

**1 Claim, 3 Drawing Sheets**



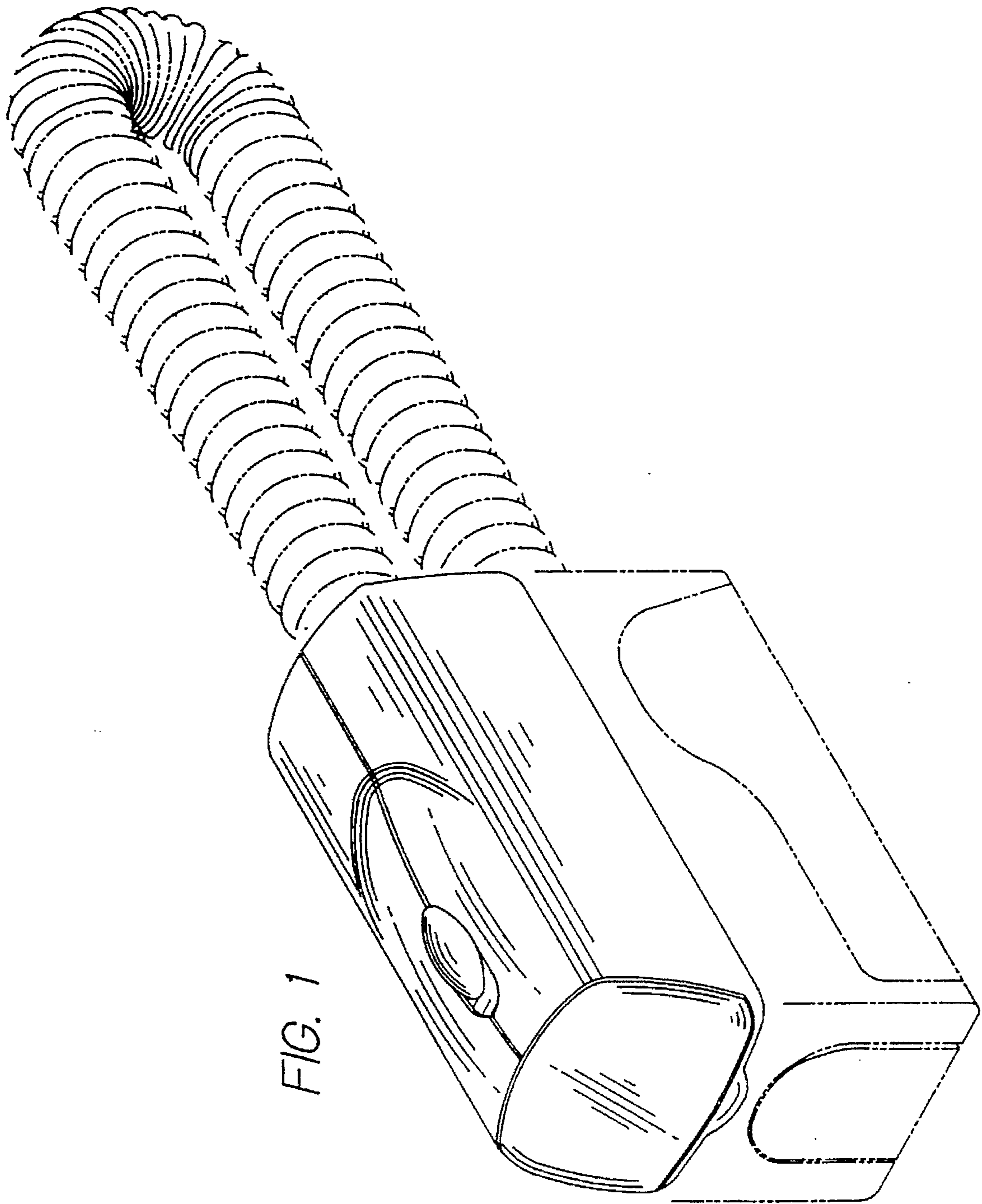


FIG. 2

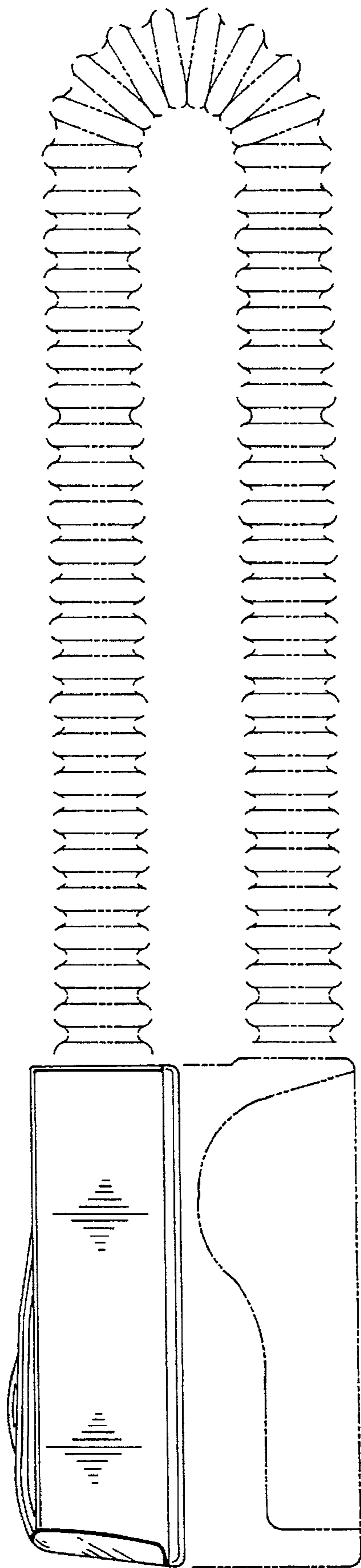
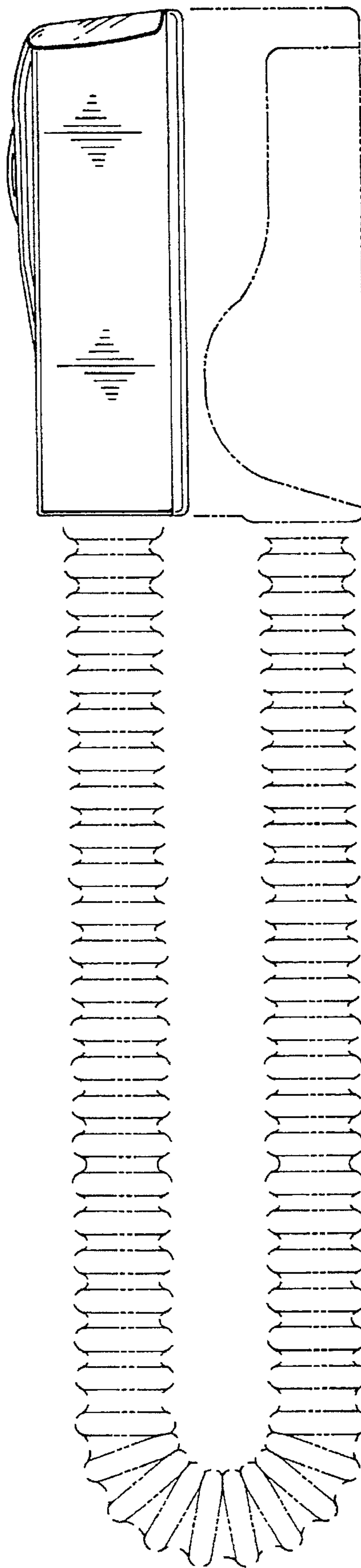


FIG. 3





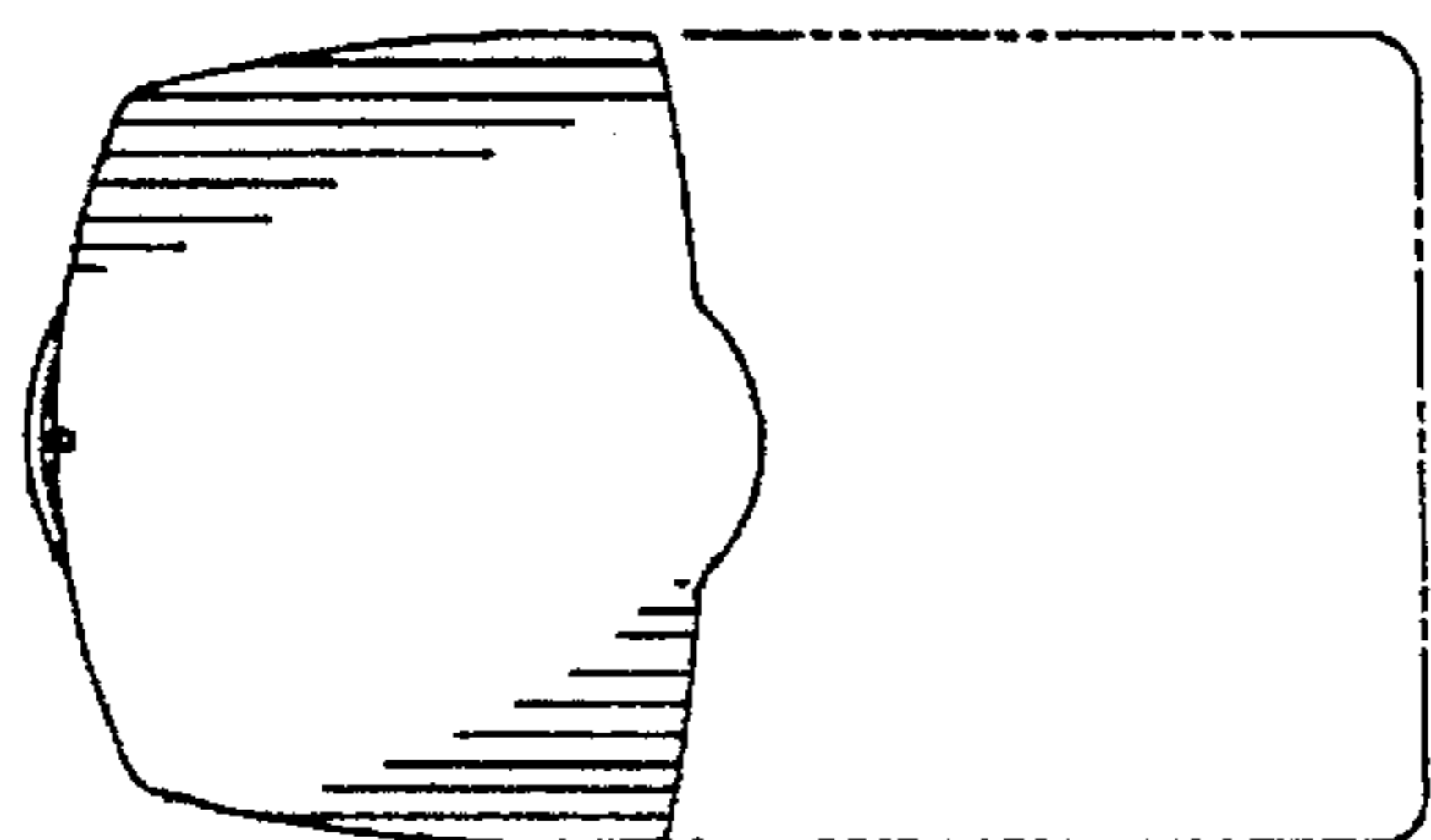


FIG. 5

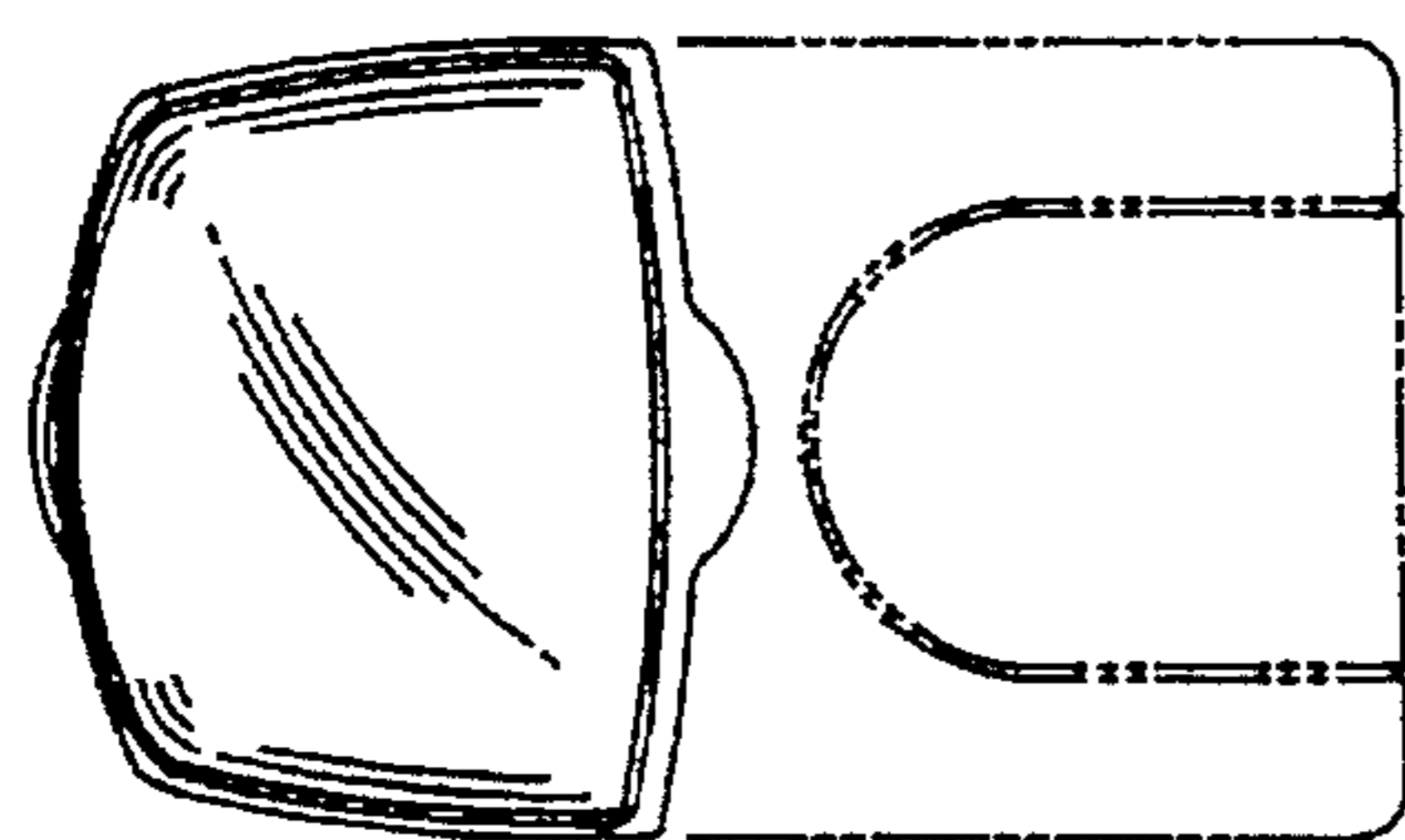


FIG. 4

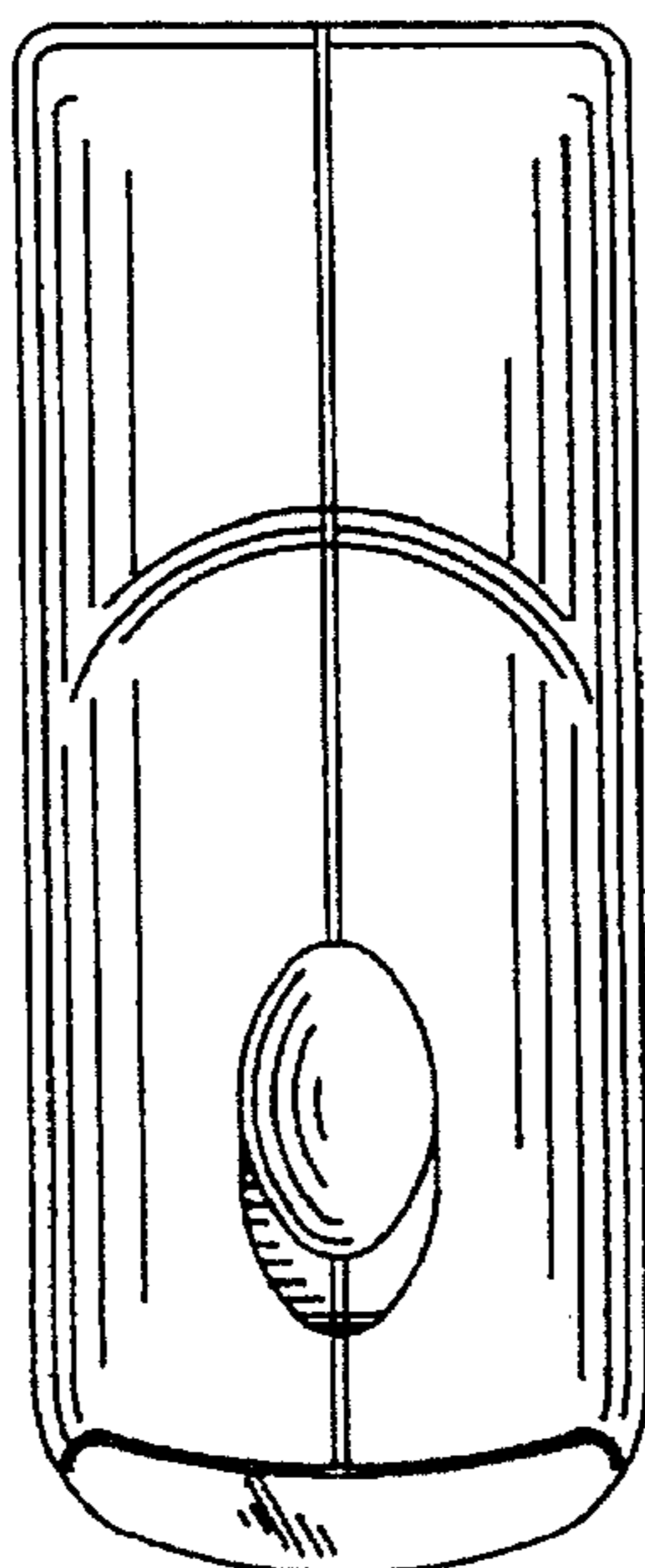


FIG. 6

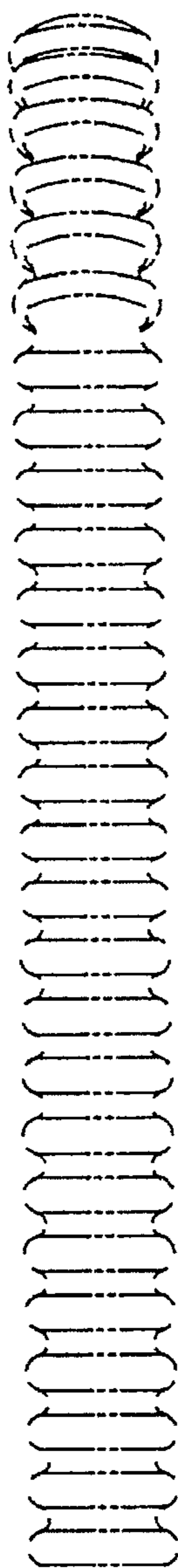


FIG. 7

