



US00D379538S

United States Patent [19] Gallant

[11] Patent Number: **Des. 379,538**

[45] Date of Patent: ****May 27, 1997**

[54] **ELECTRIC PAR LAMP**

[75] Inventor: **Joseph P. Gallant**, Lexington, Ky.

[73] Assignee: **Osram Sylvania Inc.**, Danvers, Mass.

[**] Term: **14 Years**

[21] Appl. No.: **54,442**

[22] Filed: **May 14, 1996**

[51] LOC (6) Cl. **26-04**

[52] U.S. Cl. **D26/2**

[58] Field of Search D26/1, 2, 3; 313/111,
313/113, 315, 318; 362/326, 327, 328,
329, 330-340

[56] **References Cited**

U.S. PATENT DOCUMENTS

- D. 284,792 7/1986 Thiry et al. D26/2
- D. 307,487 4/1990 Noe D26/2
- D. 307,805 5/1990 Noe D26/2
- D. 315,961 4/1991 Kackenmeister et al. D26/2

- D. 321,762 11/1991 Mujahid et al. D26/2
- D. 337,389 7/1993 Levin et al. D26/2
- D. 352,120 11/1994 Haraden et al. D26/2
- 2,524,455 10/1950 Macksoud D26/2

Primary Examiner—Marcus A. Jackson
Attorney, Agent, or Firm—William E. Meyer

[57] **CLAIM**

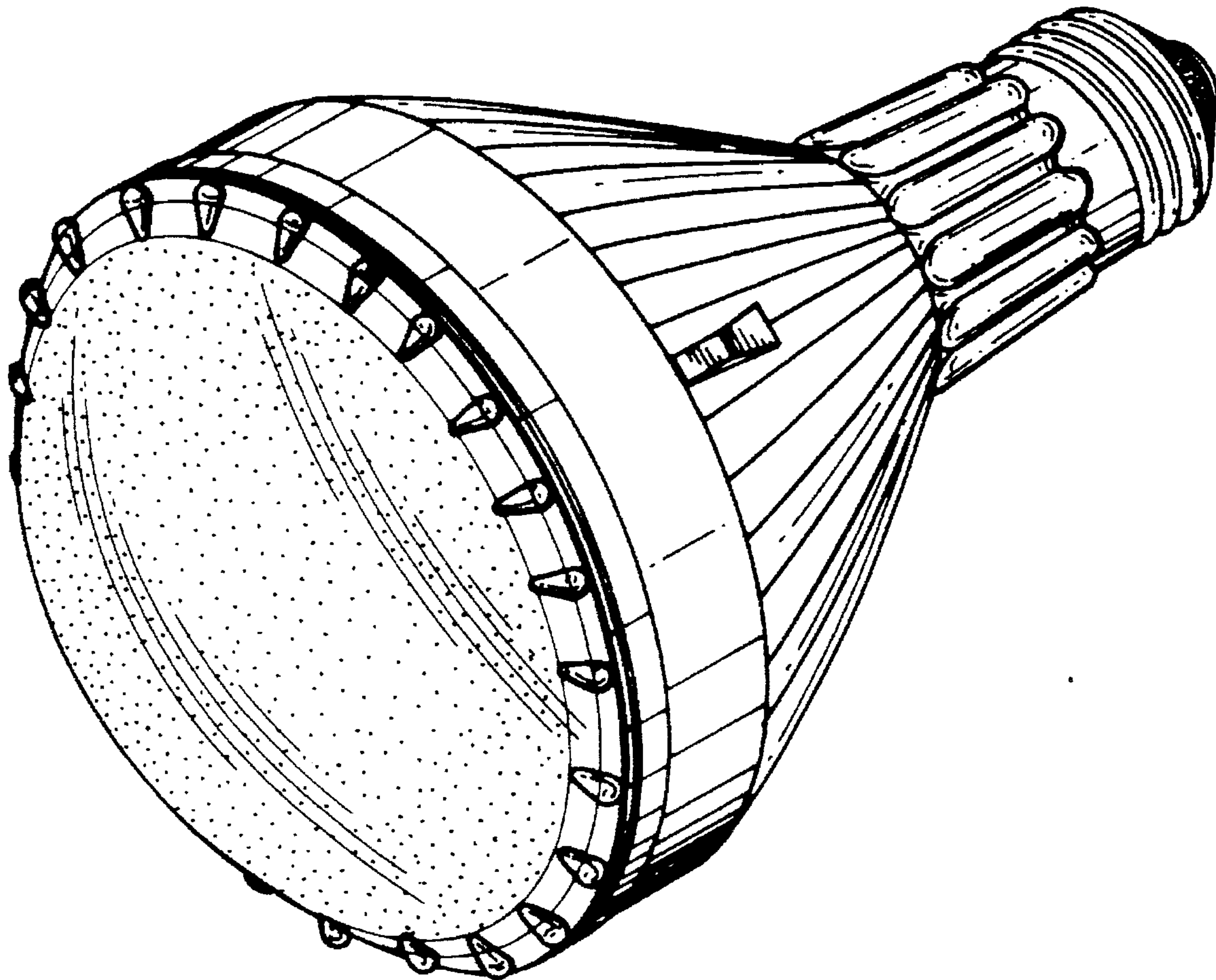
The ornamental design for an electric par lamp, as shown and described.

DESCRIPTION

FIG. 1 is a perspective view of an electric par lamp illustrating the new design;
FIG. 2 is a side elevational view thereof, all sides being identical;
FIG. 3 is top view thereof; and,
FIG. 4 is bottom view thereof.

In all of the foregoing drawings, stipling is intended to illustrate shape and contour; such stipling is further intended to illustrate surface characteristics.

1 Claim, 3 Drawing Sheets



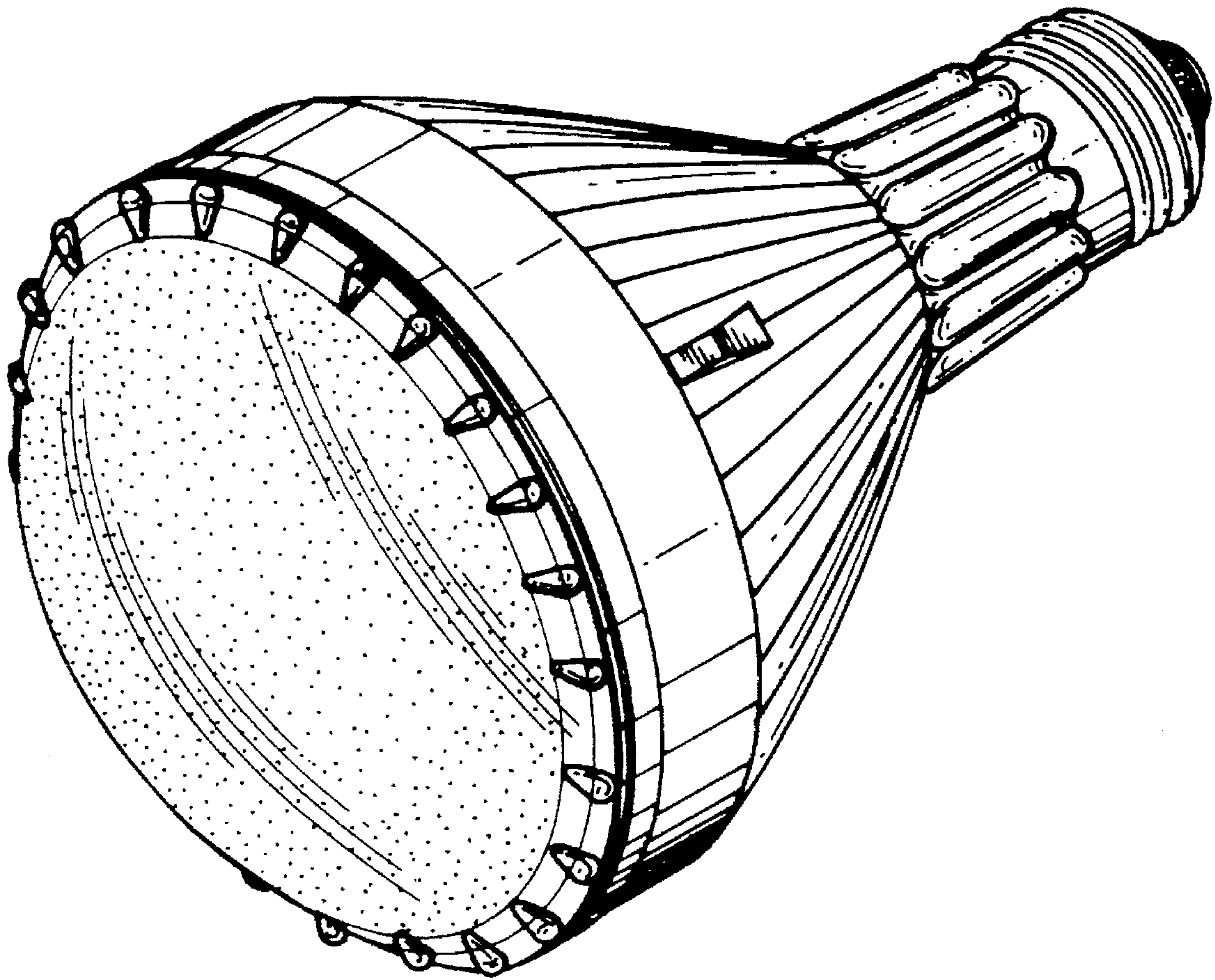


FIG. 1

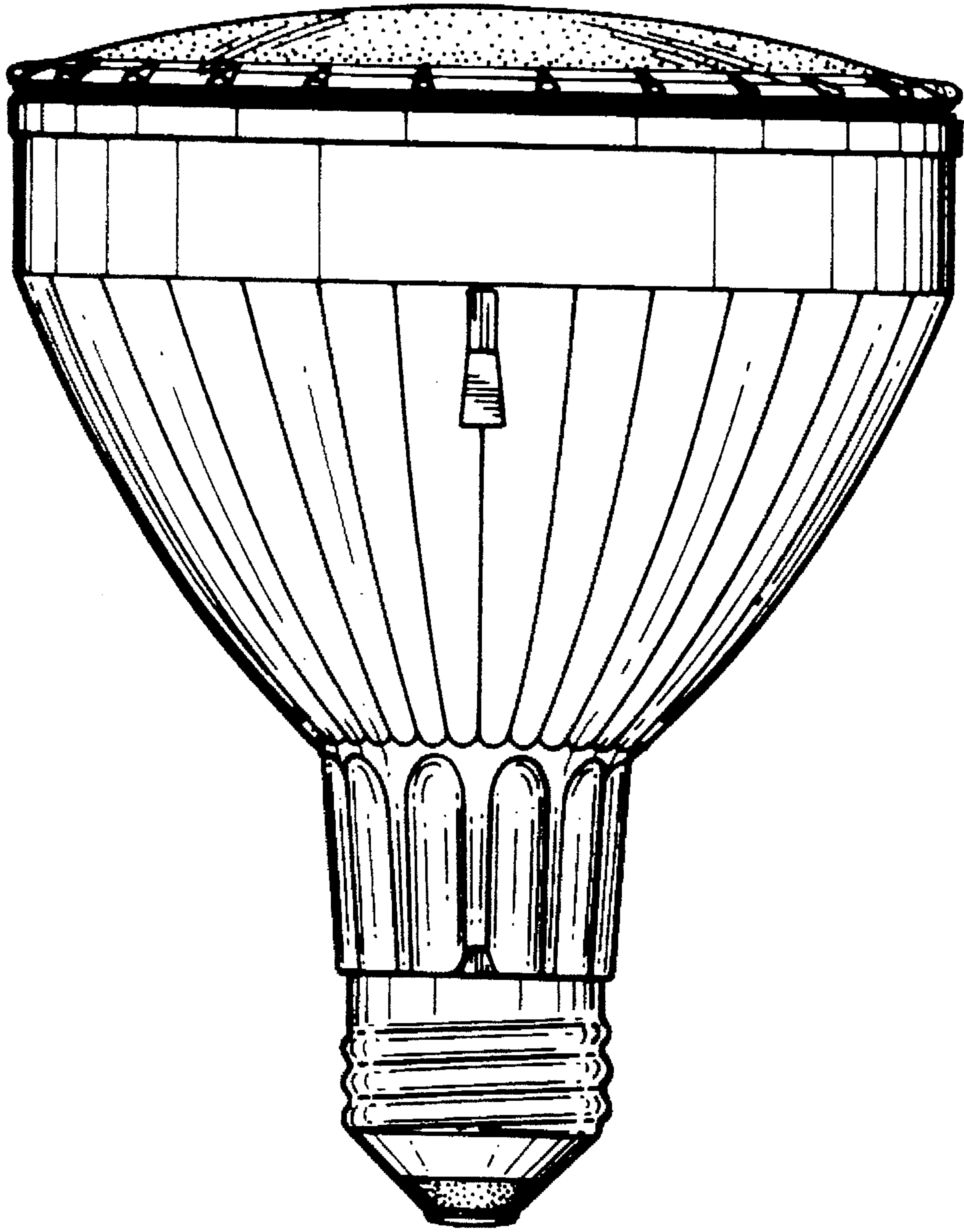


FIG. 2

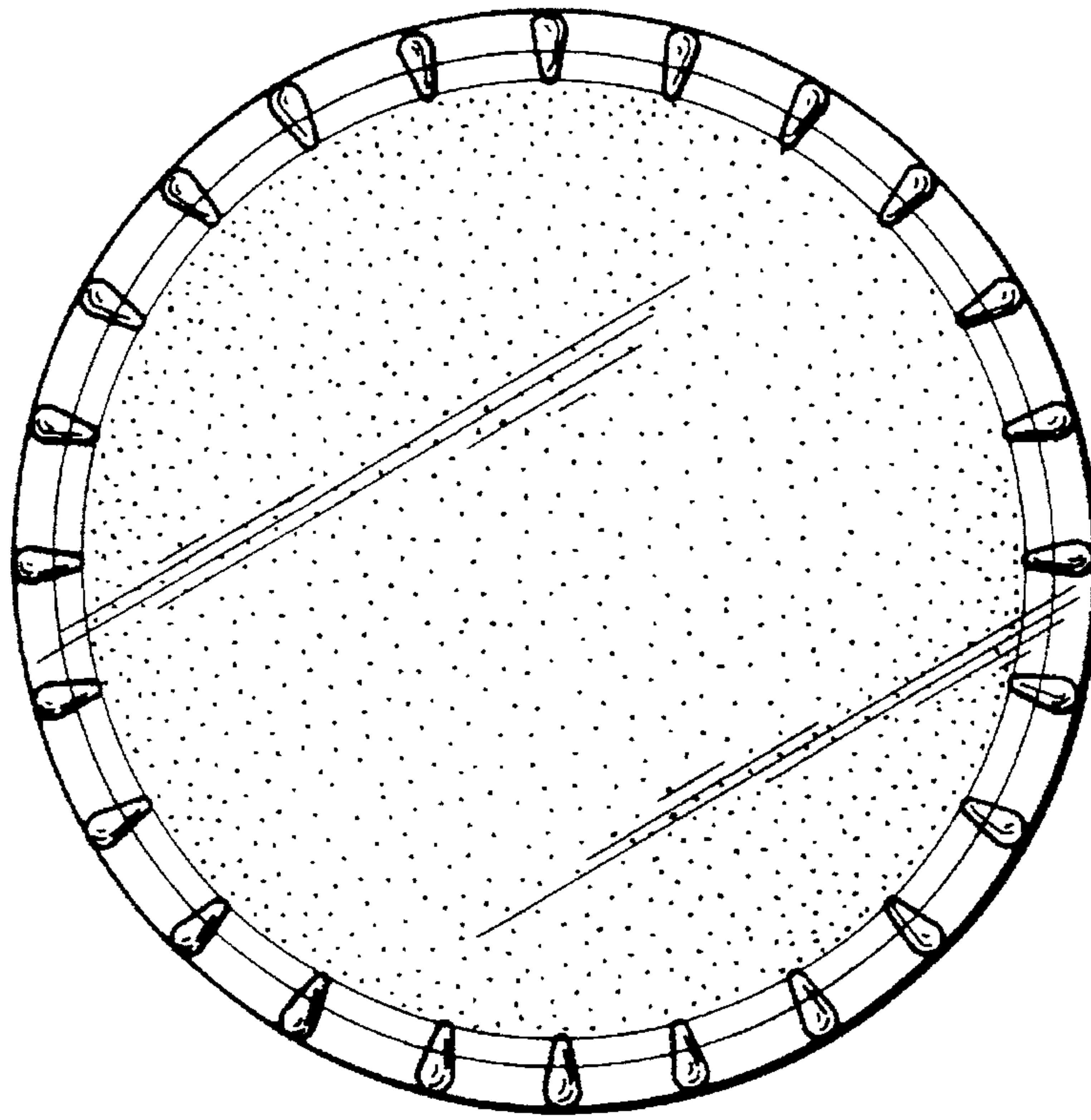


FIG. 3

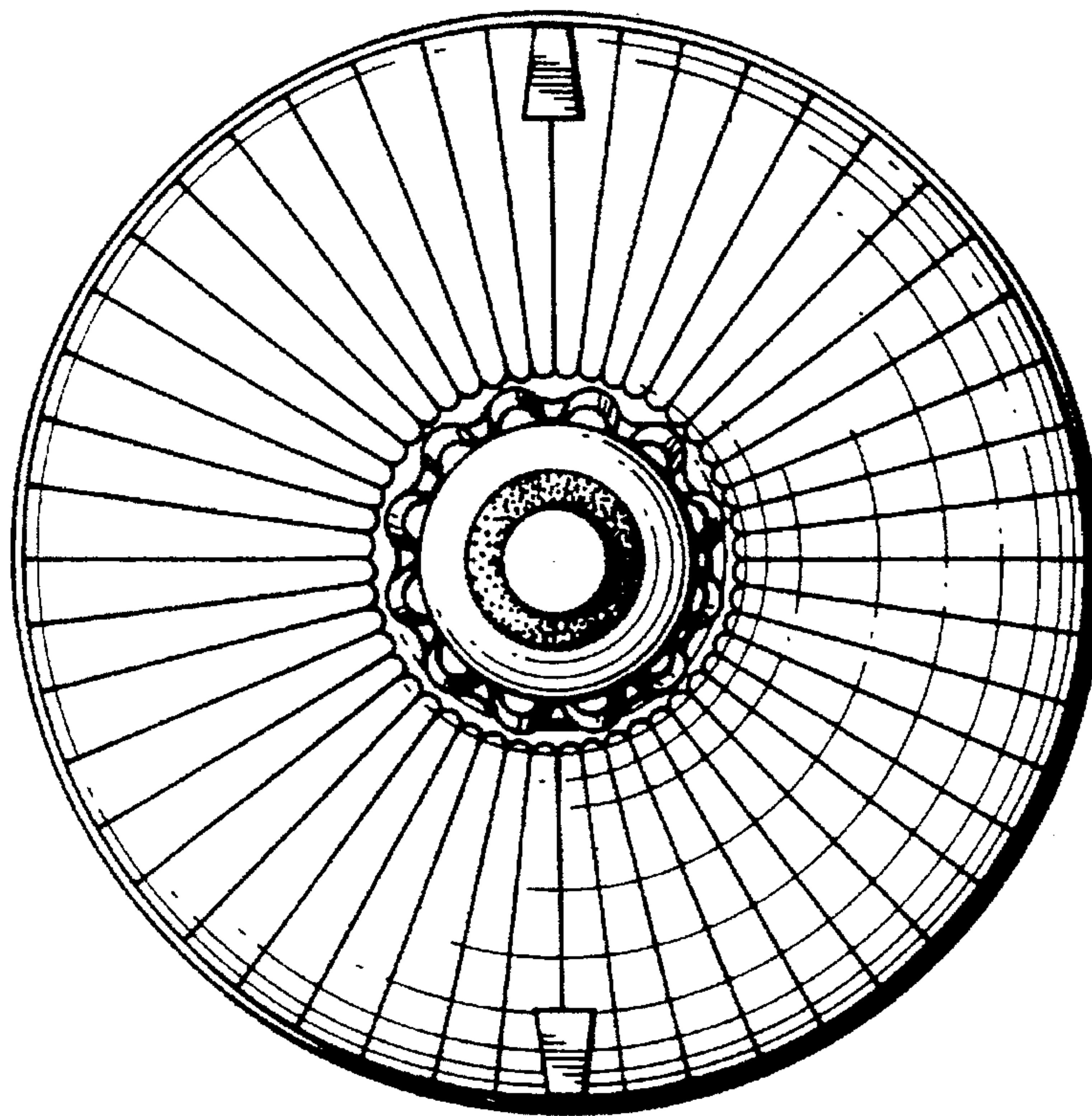


FIG. 4