



US00D379536S

United States Patent [19]

[11] Patent Number: **Des. 379,536**

Pierce, Jr.

[45] Date of Patent: ****May 27, 1997**

[54] **CROSSARM FOR VINEYARD SUPPORT SYSTEM**

Attorney, Agent, or Firm—Lothrop & West

[76] Inventor: **Leon W. Pierce, Jr.**, 962 GoldenOak Way, Stockton, Calif. 95209

[57] **CLAIM**

The ornamental design for a crossarm for vineyard support system, as shown and described.

[**] Term: **14 Years**

DESCRIPTION

[21] Appl. No.: **52,588**

FIG. 1 is a front perspective of a crossarm for vineyard support system, showing my new design;

[22] Filed: **Apr. 4, 1996**

FIG. 2 is a front elevational view to an enlarged scale;

[51] LOC (6) Cl. **25-01**

FIG. 3 is an elevational view of one edge, to an enlarged scale, the opposite edge being a mirror image;

[52] U.S. Cl. **D25/134**

FIG. 4 is a rear elevational view to an enlarged scale;

[58] Field of Search D25/127, 131, D25/132, 133, 134, 119, 164; 47/44 R, 44 W, 43 R, 47 L, 45 C; 256/48, DIG. 5; 248/27.8, 219.2, 219.3; 52/736.2

FIG. 5 is an elevational view of one end, to a greatly enlarged scale, the opposite end being a mirror image;

FIG. 6 is a front perspective view of a modification of a crossarm for vineyard support system;

[56] **References Cited**

FIG. 7 is a front elevational view;

U.S. PATENT DOCUMENTS

FIG. 8 is an elevational view of one edge, the opposite edge being a mirror image;

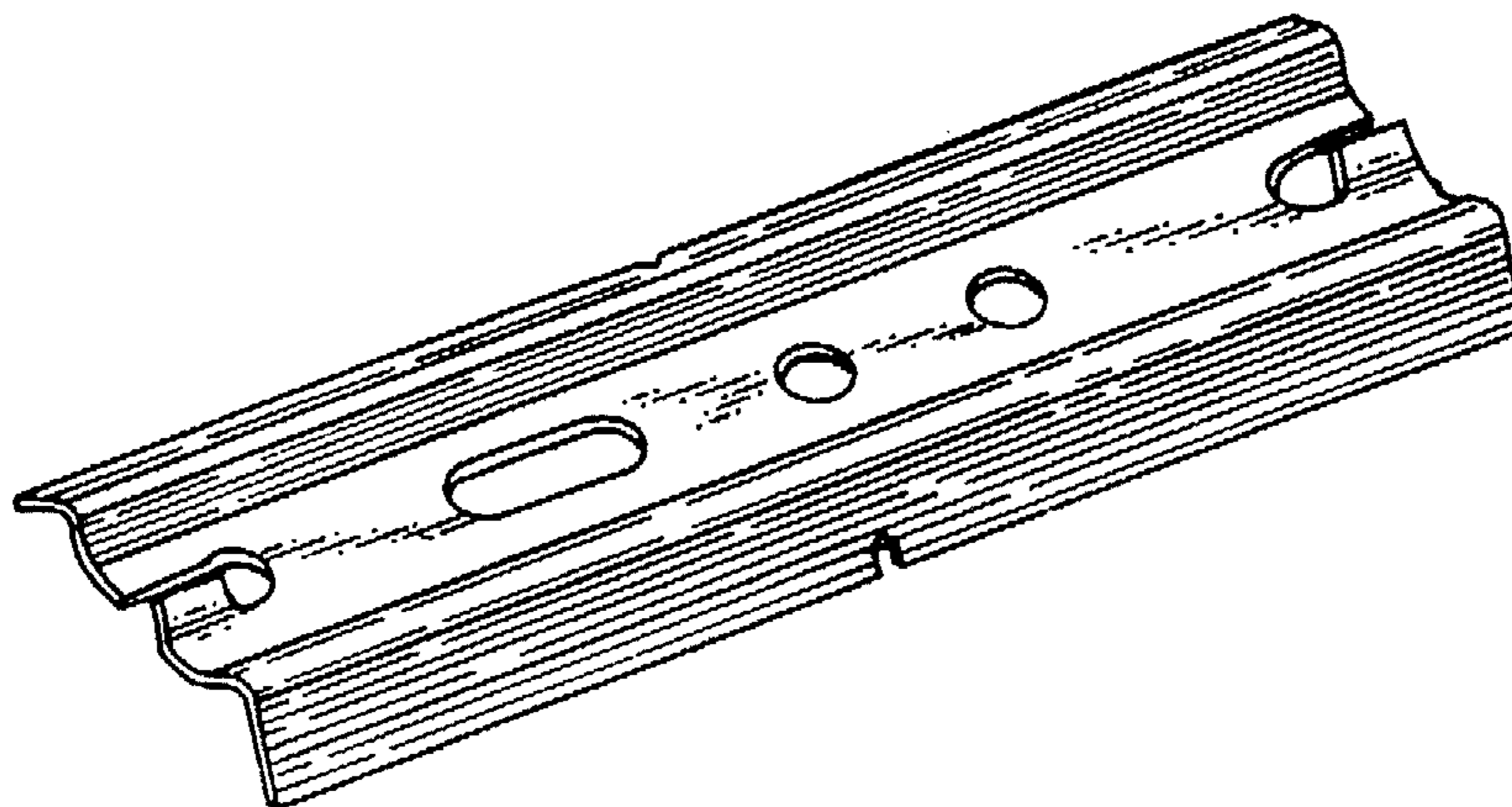
- D. 247,629 3/1978 Grannis D25/134
- 4,258,523 3/1981 Waugh 52/736.1
- 4,965,961 10/1990 Broyles .

FIG. 9 is a rear elevational view; and,

FIG. 10 is an elevational view of one end, to an enlarged scale, the opposite end being a mirror image.

Primary Examiner—Doris Clark

1 Claim, 3 Drawing Sheets



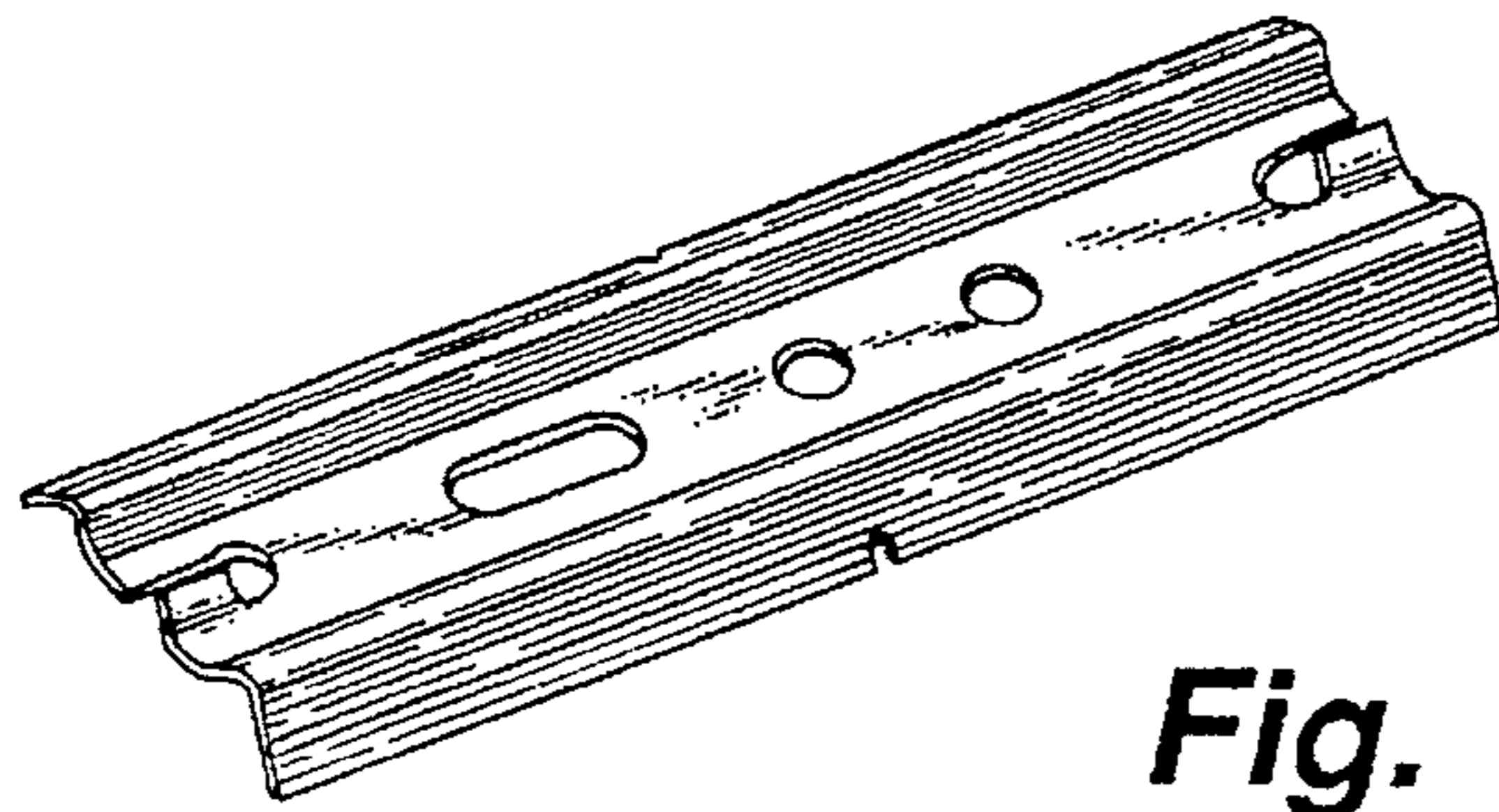


Fig. 1

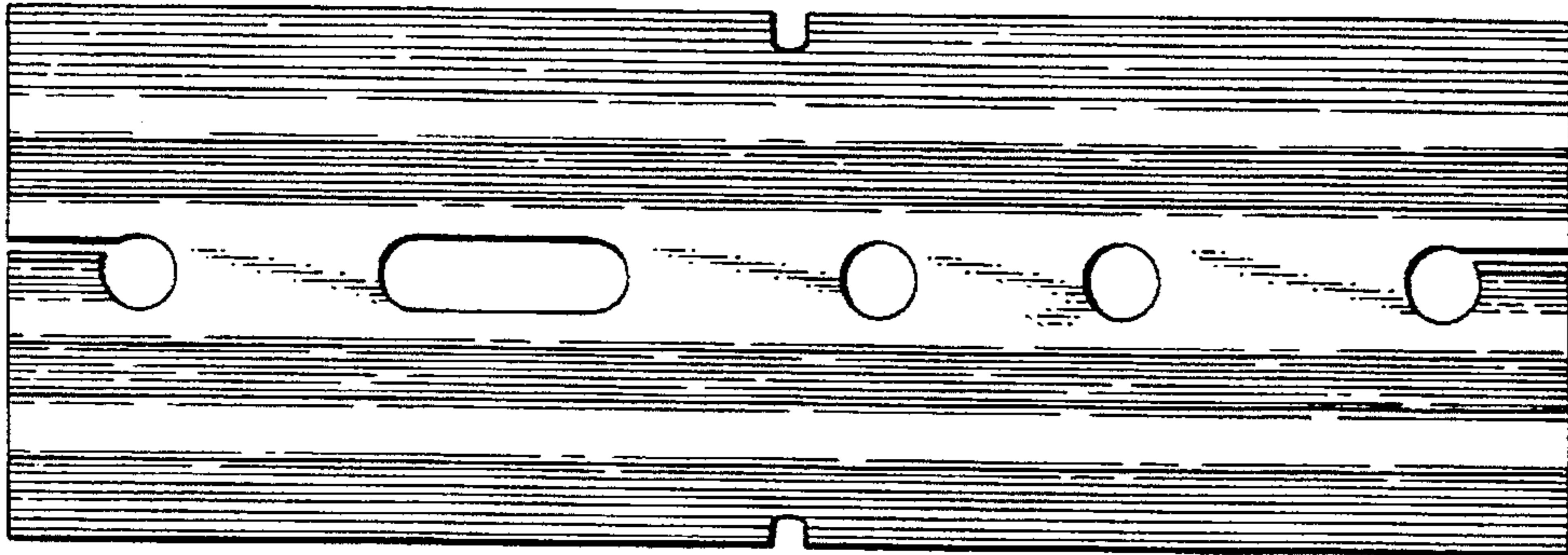


Fig. 2

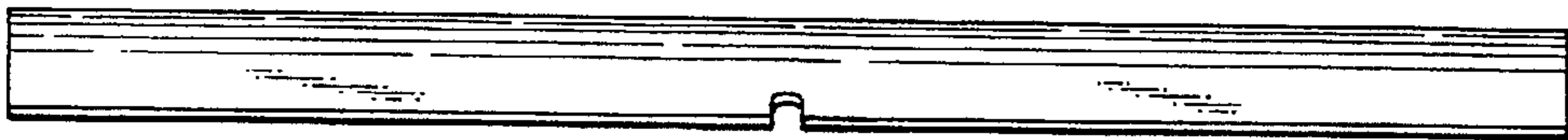


Fig. 3

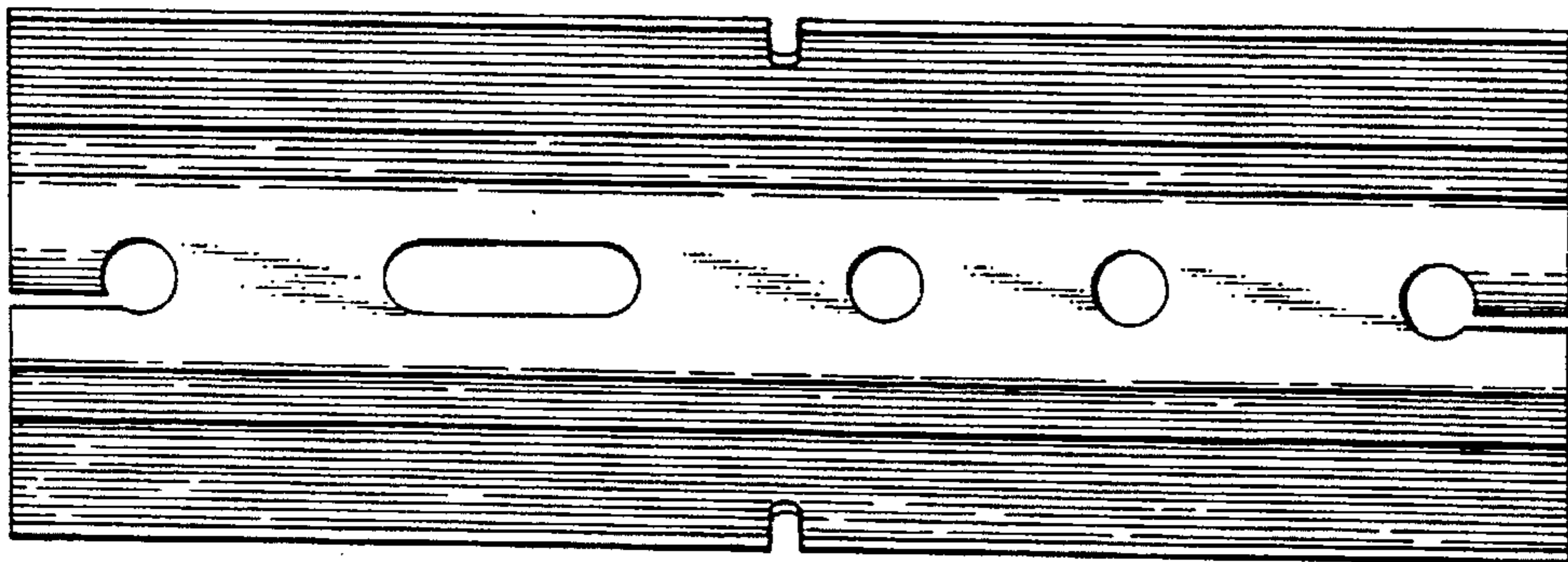


Fig. 4

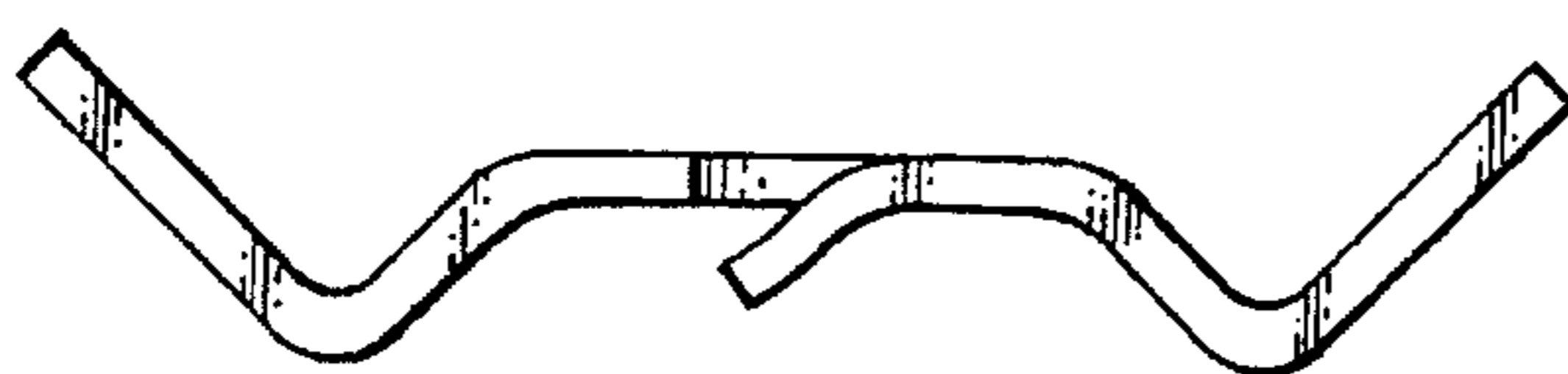


Fig. 5

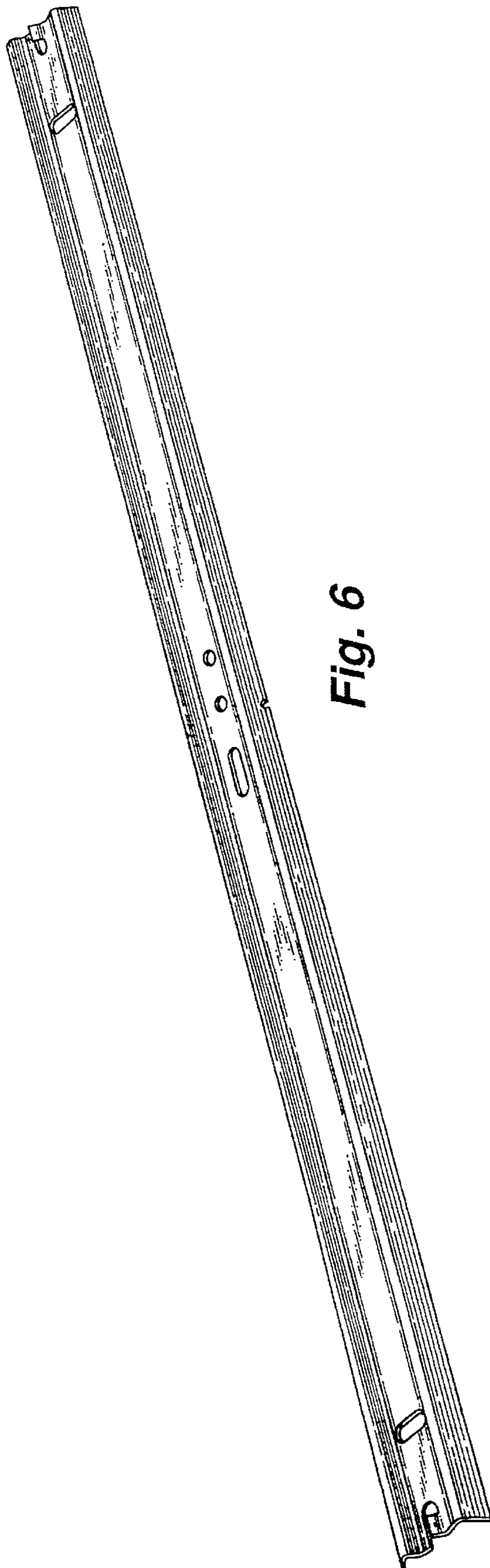


Fig. 6

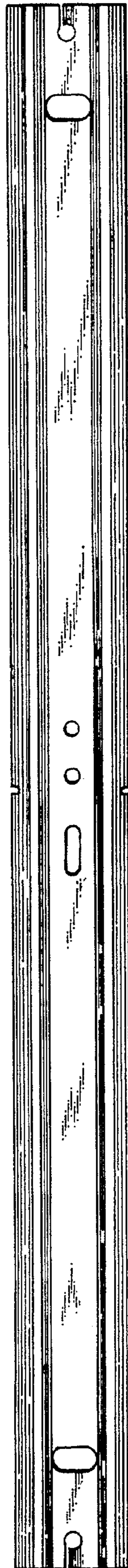


Fig. 7



Fig. 8

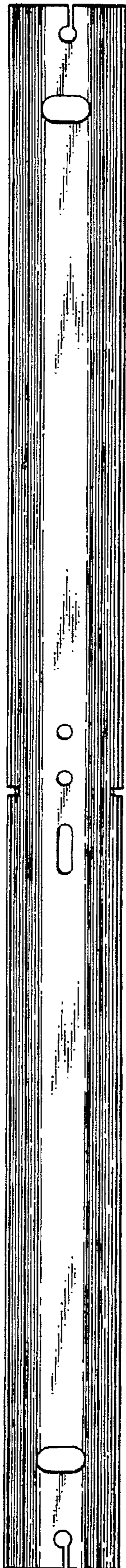


Fig. 9

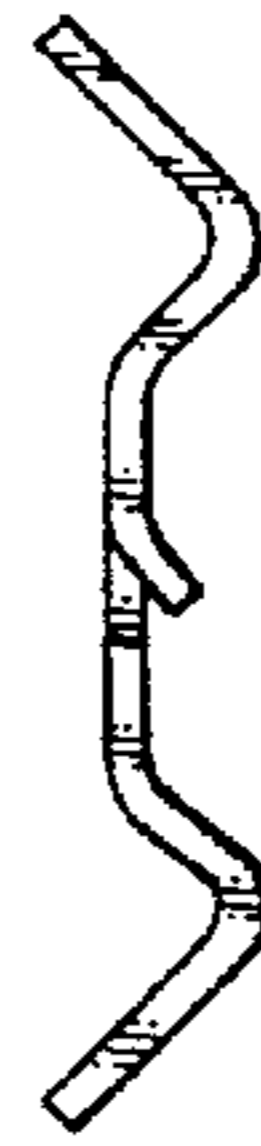


Fig. 10