



US00D379534S

United States Patent [19]
DiGiorgio

[11] **Patent Number: Des. 379,534**

[45] **Date of Patent: **May 27, 1997**

[54] **SILL**

[75] **Inventor: Tony DiGiorgio, Woodbridge, Canada**

[73] **Assignee: Dominion Plastics Inc., Woodbridge, Canada**

[**] **Term: 14 Years**

[21] **Appl. No.: 55,315**

[22] **Filed: Jun. 3, 1996**

[51] **LOC (6) Cl. 25-01**

[52] **U.S. Cl. D25/124**

[58] **Field of Search D25/48, 52, 60,
D25/119-125; 49/501, 504, DIG. 2; 52/204.5,
204.55, 656.4-656.7**

[56]

References Cited

U.S. PATENT DOCUMENTS

D. 243,677 3/1977 Dallaire D25/124
D. 335,713 5/1993 Slocomb D25/124

Primary Examiner—Doris Clark

[57]

CLAIM

The ornamental design for a sill, as shown and described.

DESCRIPTION

FIG. 1 is a perspective view of the sill; and,
FIG. 2 is an end view sill.

The sill is broken away near the end to indicate indeterminate length.

1 Claim, 1 Drawing Sheet

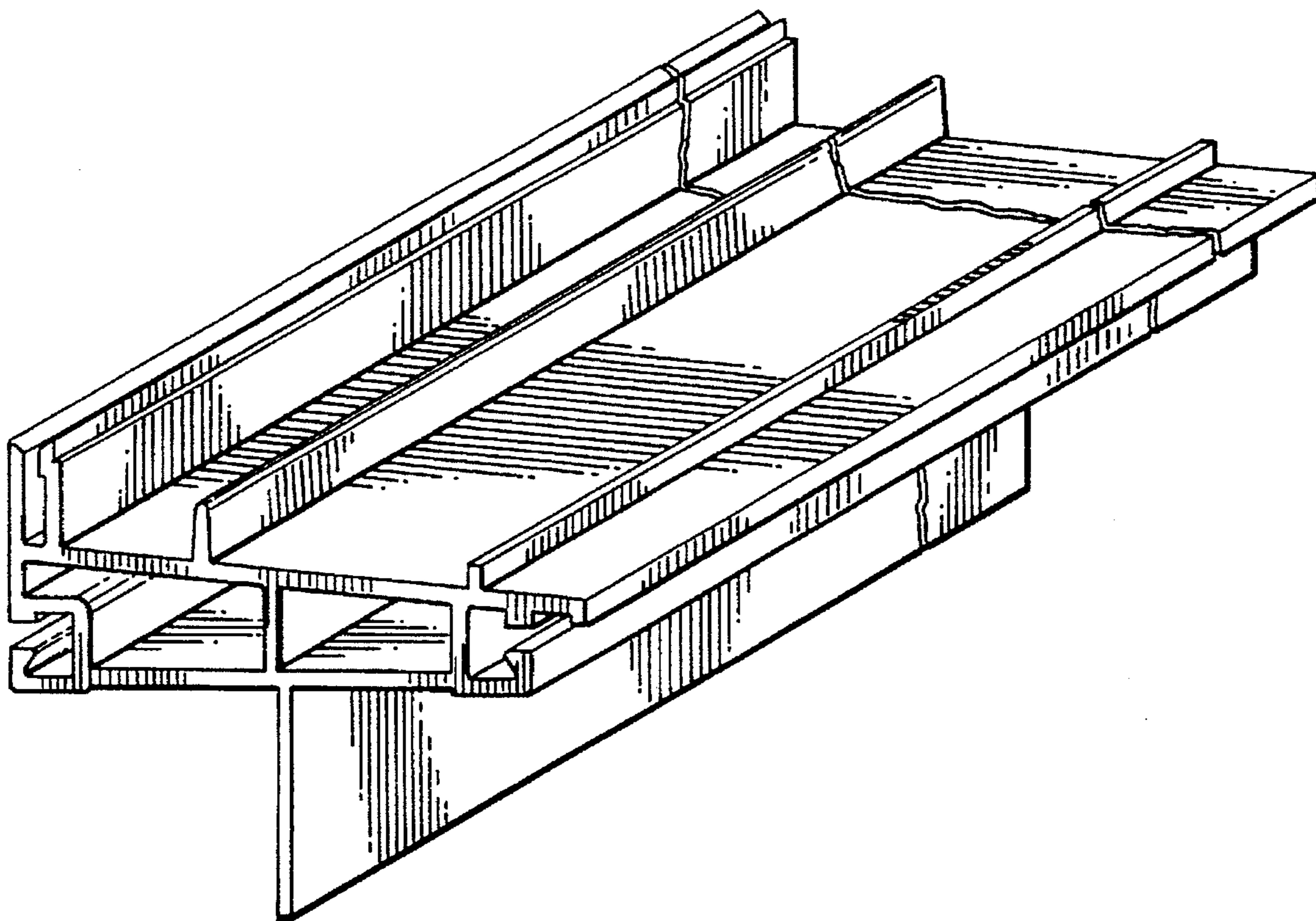


FIG. 1.

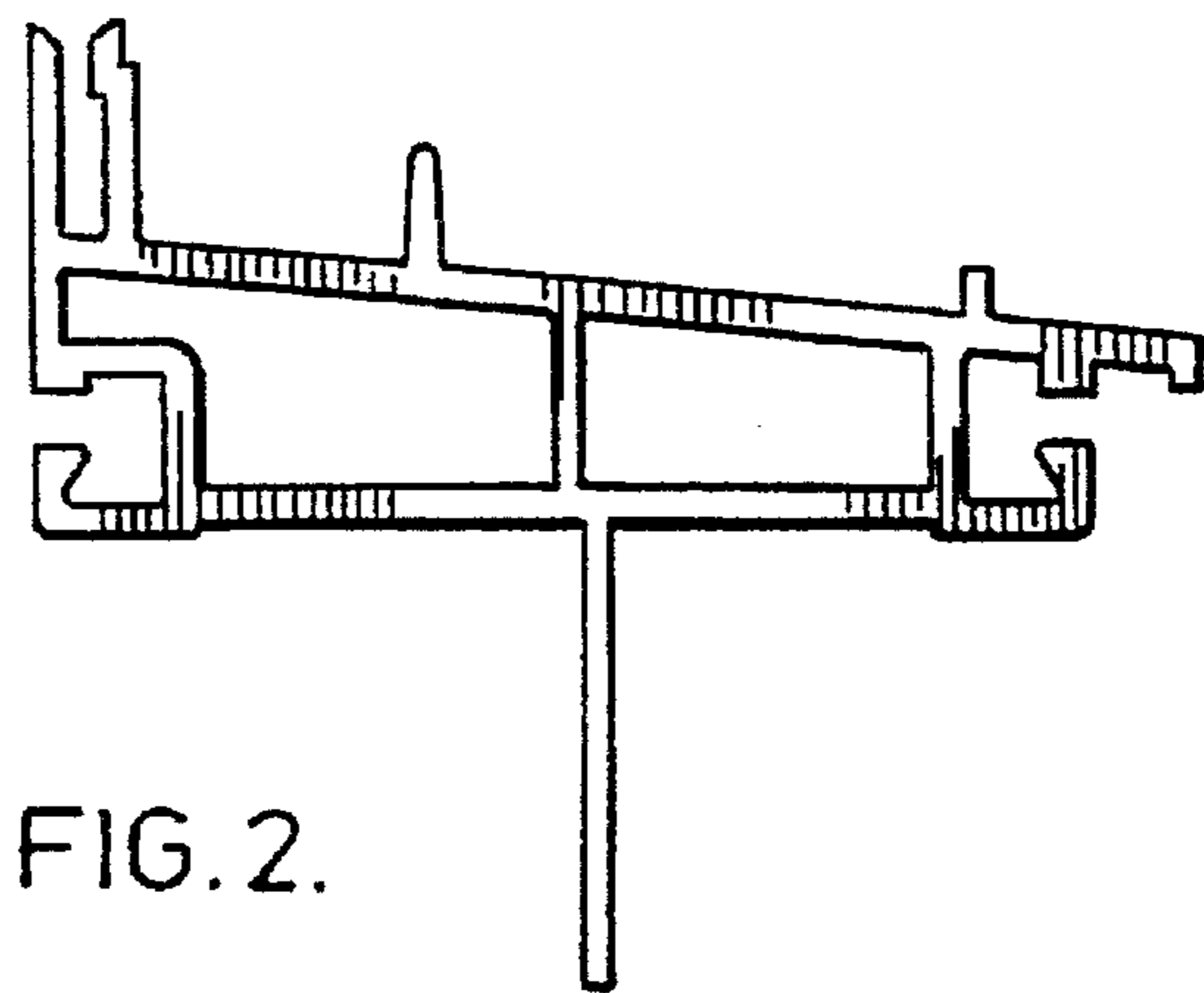
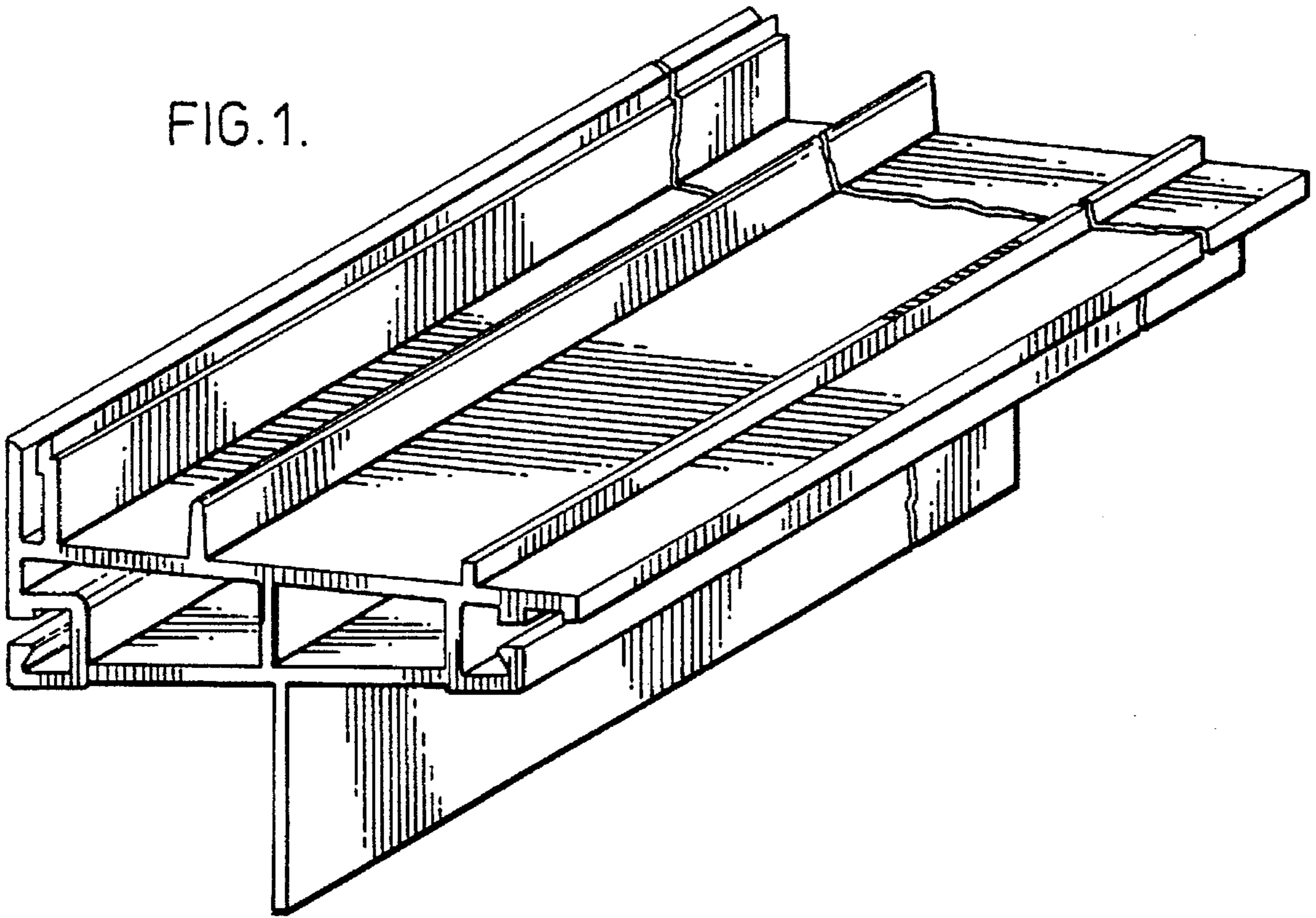


FIG. 2.